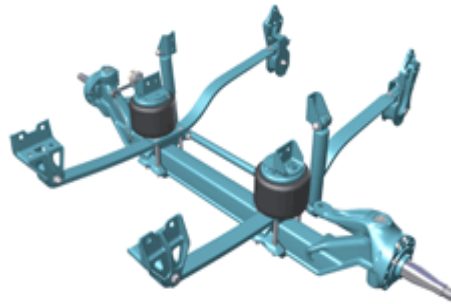




Truck Suspension Systems Literature



TECHNICAL PROCEDURE

SUBJECT: AIRTEK® Service Instructions
Freightliner, Western Star, and
Sterling Vehicles

LIT NO: 17730-243

DATE: June 2005

REVISION: C

search

For The Road Ahead

The information in this publication contains parts lists, safety information, product specifications, features, proper maintenance and rebuild instructions for the AIRTEK and SOFTEK Suspensions and the STEERTEK axle.

A Technical Procedure Quiz is included in the last section of this publication.

To view an electronic version of the manual, select a specific area from the Table of Contents below. You will need Adobe Acrobat to view the file. For a free download of Adobe Acrobat, [click here](#).

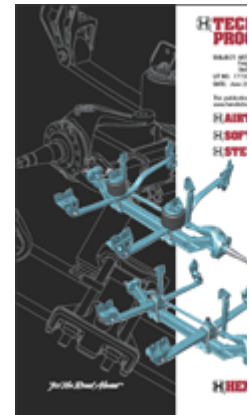


Table of Contents

Section 1 Table of Contents
(53 KB)

Section 1 & 2 Introduction and Product Description
(567 KB)

Section 3 Important Safety Notice
(273 KB)

Section 4 Parts List
(601KB)
AIRTEK®
SOFTEK®

Section 5 Towing Procedure
(227 KB)

Section 6 Preventive Maintenance
(587 KB)

Section 7 Alignment and Adjustments
(862 KB)

Section 8 Special Tools
(129 KB)

Section 9 (part 1) Component Repla
(983 KB)

Section 9 (part 2)
(1.34 MB)

Section 10 AIRTEK Plumbing Diagrams
(159 KB)

Appendix
(344 KB)

A: Trouble Shooting Matrix

B: Torque Specifications

C: Front Wheel Alignment Specifications

D: Important References

Technical Procedure Publication Quiz
(40 KB)