

# CENTURY®

L E G E N D A R Y   L E A D E R S H I P



**OWNER'S MANUAL**

**1150 ROLLER WITH HHU UNDERLIFT**

**PARTS**

**NOTE: MANUAL including SPECIFICATIONS, subject to change without notice.**  
All ratings specified are based on structural factors only,  
not vehicle capacities or capabilities.

**CENTURY®**

Miller Industries Towing Equipment Inc.  
8503 Hilltop Drive  
Ooltewah, Tennessee 37363  
Phone (423) 238-4171 • FAX (423) 238-5371

FORM NO. 05000923  
07 / 2017  
PRICE \$25.00

## LIMITED WARRANTY

MILLER INDUSTRIES TOWING EQUIPMENT INC., hereinafter referred to as MILLER, warrants to the original purchaser that each new MILLER wrecker or other MILLER products will be free from defects in material and workmanship for a period of twelve (12) months from date placed in service, but in no event shall such warranty period exceed twenty-four (24) months from date of manufacture by MILLER. The purchaser must promptly notify MILLER in writing of any failure in material or workmanship. In no event shall MILLER accept such notification later than twenty-four (24) months from date of delivery or twelve (12) months from date placed in service, whichever is earlier.

MILLER's obligation under this warranty, statutory or otherwise, is limited to the repair or replacement at the MILLER factory, or at a point designated by MILLER, of such part or parts as shall appear upon inspection by MILLER to be defective in material or workmanship. New or remanufactured parts will be used for any replacement at MILLER's option. This warranty is not transferable. This warranty does not obligate MILLER to bear the cost of labor or transportation charges in connection with the repair or replacement of any parts found to be defective, nor shall it apply to a product upon which repairs or alterations have been made unless authorized by MILLER.

EXCEPT AS EXPRESSLY SET FORTH IN THIS WARRANTY, MILLER MAKES NO OTHER WARRANTY, EXPRESS OR IMPLIED, AND HEREBY DISCLAIMS ALL OTHER WARRANTIES INCLUDING, BUT NOT LIMITED TO, THE IMPLIED WARRANTIES OF MERCHANTABILITY AND FITNESS FOR A PARTICULAR PURPOSE. MILLER shall in no event be liable for claimed downtime, claimed loss of profits or goodwill, or any other special, incidental, indirect, or consequential damages concerning or relating to any product or parts, whether based on negligence, strict liability, breach of contract, breach of warranty, misrepresentation or any other legal theory, regardless of whether the loss resulted from any general or particular requirement which MILLER knew or had reason to know about at the time of sale.

MILLER MAKES NO WARRANTY, EXPRESS OR IMPLIED, AS TO THE FINISHED PRODUCTS MANUFACTURED OR SUPPLIED BY ANOTHER MANUFACTURER AND SUPPLIED BY MILLER TO PURCHASER, including, but not limited to, any vehicle to which a MILLER product may be affixed or any accessories or wire rope, and MILLER EXPRESSLY DISCLAIMS ANY IMPLIED WARRANTIES OF MERCHANTABILITY OR FITNESS FOR A PARTICULAR PURPOSE AS TO SUCH EQUIPMENT OR PRODUCTS. This language shall in no way affect or diminish the rights of the purchaser to rely on such warranties as are extended by such manufacturers or suppliers. MILLER shall, to the extent permitted under applicable law, pass on to the purchaser such manufacturer's or seller's warranty.

MILLER, whose policy is one of continuous improvement, reserves the right to improve its products through changes in design or materials as it may deem desirable without being obligated to incorporate such changes in products previously sold. This warranty is not intended to cover or include the following items, which are set forth by way of example and not limitation:

- A. Normal deterioration of trim, paint, lettering, and appearance items due to wear or exposure to weather, road conditions, road treatments, etc.
- B. Any damage or defect due to accident, misuse, abuse, improper or unauthorized repairs, failure to provide reasonable and necessary maintenance, or uses for which the equipment was not designed or intended.
- C. Alterations or modifications that affect performance, operation or reliability.
- D. Normal maintenance parts including, but not limited to, wear pads, bushings, wire rope, mud flaps, fenderettes, light bulbs, hydraulic oil, filters, and tow sling belts.

**IT IS EXPRESSLY UNDERSTOOD THAT MILLER MAKES NO IMPLIED WARRANTY THAT MILLER PRODUCTS SHALL BE FIT FOR THE PURPOSE OF LIFTING OR MOVING PEOPLE OR FOR ANY OTHER IMPROPER USE.**



Miller Industries Towing Equipment Inc.  
8503 Hilltop Drive  
Ooltewah, Tennessee 37363  
Telephone (423) 238-4171

**SERIAL NUMBER**

## **OWNER, USER AND OPERATOR:**

We appreciate your choice of our towing and recovery unit for your application. Our number one priority is user safety which is best achieved by our joint efforts. We feel that you can make a major contribution to safety if you, as the equipment owner and operator:

- 1. Comply with Federal, State, and Local Regulations.**
- 2. Read, Understand, and Follow the Instructions in this Manual.**
- 3. Use Good, Safe Work Practices in a Common Sense Way.**
- 4. Only have Authorized and Trained Personnel performing maintenance on the Towing and Recovery Unit.**

# TABLE OF CONTENTS

It is assumed by the manufacturer that the Owner/Operator has a thorough knowledge of the accepted and lawful retrieval and towing methods as dictated by his city, county or state. The manufacturer rejects any liability claim that may result from the incorrect or unlawful application of its equipment.

## Section I - PARTS

BODY AND TUNNEL BOX ASSEMBLY .....	I-2 & I-3
SUBFRAME ASSEMBLY .....	I-4 thru I-11
HYDRAULIC ROTARY SWIVEL ASSEMBLY (FITTINGS) .....	I-12 thru I-15
HYDRAULIC ROTARY SWIVEL ASSEMBLY (PORTS) .....	I-16 & I-17
TRAVEL CYLINDER HYDRAULICS .....	I-18 & I-19
WRECKER FRAME ASSEMBLY (DUAL DRAG WINCHES) .....	I-20 thru I-25
RECOVERY WINCH HYDRAULICS .....	I-26 & I-27
SIDE DRAG WINCH HYDRAULICS .....	I-28 & I-29
SWING DRIVE HYDRAULICS .....	I-30 & I-31
ROTARY HYDRAULIC SWIVEL HYDRAULICS .....	I-32 & I-33
AIR VALVE PLATE ASSEMBLY .....	I-34 & I-35
PNEUMATICS COMPONENTS .....	I-36 thru I-43
RECOVERY WINCH PNEUMATICS .....	I-44 & I-45
SIDE DRAG WINCH PNEUMATICS .....	I-46 & I-47
TRAVEL BASE SUBASSEMBLY PNEUMATICS .....	I-48 & I-49
TRAVEL LOCK ASSEMBLY .....	I-50 & I-51
TRAVEL LOCK PNEUMATICS .....	I-52 & I-53
3 - STAGE BOOM ASSEMBLY - INNER STAGE .....	I-54 & I-55
3 - STAGE EXTENSION SYSTEM .....	I-56 & I-57
3 - STAGE BOOM ASSEMBLY - MIDDLE STAGE .....	I-58 & I-59
3 - STAGE BOOM ASSEMBLY - OUTER STAGE .....	I-60 thru I-63



# TABLE OF CONTENTS

## Section I - PARTS

RECOVERY BOOM HYDRAULICS .....	I-64 & I-65
BOOM SWIVEL ASSEMBLY .....	I-66 & I-67
3-STAGE FRONT OUTRIGGER VERTICAL ASSEMBLY .....	I-68 & I-69
3-STAGE FRONT OUTRIGGER HORIZONTAL ASSEMBLY .....	I-70 & I-71
3-STAGE FRONT OUTRIGGER HORIZONTAL ASSEMBLY (BIG FEET) .....	I-72 & I-73
3-STAGE FRONT OUTRIGGER (LIFT FUNCTION) HYDRAULICS .....	I-74 & I-75
3-STAGE FRONT OUTRIGGER (EXTEND FUNCTION) HYDRAULICS .....	I-76 & I-77
3-STAGE FRONT OUTRIGGER VALVE ASSEMBLY .....	I-78 & I-79
LOWER CONTROL VALVE ASSEMBLY .....	I-80 & I-81
HHU OUTRIGGER VERTICAL ASSEMBLY .....	I-82 thru I-85
HHU OUTRIGGER HORIZONTAL ASSEMBLY .....	I-86 thru I-89
HHU OUTRIGGER HORIZONTAL ASSEMBLY (BIG FEET).....	I-90 thru I-93
HHU OUTRIGGER (LIFT FUNCTION) HYDRAULICS .....	I-94 thru I-97
HHU OUTRIGGER (EXTEND FUNCTION) HYDRAULICS.....	I-98 & I-99
UNDERLIFT MAST ASSEMBLY - HHU.....	I-100 thru I-103
HORIZONTAL BOOM ASSEMBLY - HHU (STREET LOWRIDER).....	I-104 thru I-107
HORIZONTAL BOOM ASSEMBLY - HHU (COACH LOWRIDER) .....	I-108 thru I-111
UNDERLIFT INSTALLATION - HHU (STREET/COACH LOWRIDER) .....	I-112 thru I-115
LOWER CONTROL & HHU VALVE INSTALLATION WITH COVERS.....	I-116 thru I-119
UNDERLIFT HYDRAULICS - HHU (STREET/COACH LOWRIDER).....	I-120 & I-121
PUMP, TANK, & FRONT OUTRIGGER VALVE HYDRAULICS .....	I-122 & I-123

# TABLE OF CONTENTS

## Section I - PARTS

TANK, FRONT OUTRIGGER VALVE, HYDRAULIC SWIVEL HYDRAULICS .....	I-124 & I-125
TANK, LOWER CONTROL VALVE, & REAR OUTRIGGER VALVE HYDRAULICS .....	I-126 & I-127
HYDRAULIC PUMP ASSEMBLY .....	I-128 & I-129
LIFT ADAPTERS .....	I-130 & I-131

## **OWNER, USER AND OPERATOR:**

We appreciate your choice of our towing and recovery unit for your application. Our number one priority is user safety which is best achieved by our joint efforts. We feel that you can make a major contribution to safety if you, as the equipment owner and operator:

1. **Comply with Federal, State, and Local Regulations.**
2. **Read, Understand, and Follow the Instructions in this Manual.**
3. **Use Good, Safe Work Practices in a Common Sense Way.**
4. **Only have Authorized and Trained Personnel performing maintenance on the Towing and Recovery Unit.**

# TABLE OF CONTENTS

It is assumed by the manufacturer that the Owner/Operator has a thorough knowledge of the accepted and lawful retrieval and towing methods as dictated by his city, county or state. The manufacturer rejects any liability claim that may result from the incorrect or unlawful application of its equipment.

## Section I - PARTS

BODY AND TUNNEL BOX ASSEMBLY .....	I-2 & I-3
SUBFRAME ASSEMBLY .....	I-4 thru I-11
HYDRAULIC ROTARY SWIVEL ASSEMBLY (FITTINGS) .....	I-12 thru I-15
HYDRAULIC ROTARY SWIVEL ASSEMBLY (PORTS) .....	I-16 & I-17
TRAVEL CYLINDER HYDRAULICS .....	I-18 & I-19
WRECKER FRAME ASSEMBLY (DUAL DRAG WINCHES) .....	I-20 thru I-25
RECOVERY WINCH HYDRAULICS .....	I-26 & I-27
SIDE DRAG WINCH HYDRAULICS .....	I-28 & I-29
SWING DRIVE HYDRAULICS .....	I-30 & I-31
ROTARY HYDRAULIC SWIVEL HYDRAULICS .....	I-32 & I-33
AIR VALVE PLATE ASSEMBLY .....	I-34 & I-35
PNEUMATICS COMPONENTS .....	I-36 thru I-43
RECOVERY WINCH PNEUMATICS .....	I-44 & I-45
SIDE DRAG WINCH PNEUMATICS .....	I-46 & I-47
TRAVEL BASE SUBASSEMBLY PNEUMATICS .....	I-48 & I-49
TRAVEL LOCK ASSEMBLY .....	I-50 & I-51
TRAVEL LOCK PNEUMATICS .....	I-52 & I-53
3 - STAGE BOOM ASSEMBLY - INNER STAGE .....	I-54 & I-55
3 - STAGE EXTENSION SYSTEM .....	I-56 & I-57
3 - STAGE BOOM ASSEMBLY - MIDDLE STAGE .....	I-58 & I-59
3 - STAGE BOOM ASSEMBLY - OUTER STAGE .....	I-60 thru I-63

# TABLE OF CONTENTS

## Section I - PARTS

RECOVERY BOOM HYDRAULICS .....	I-64 & I-65
BOOM SWIVEL ASSEMBLY .....	I-66 & I-67
3-STAGE FRONT OUTRIGGER VERTICAL ASSEMBLY .....	I-68 & I-69
3-STAGE FRONT OUTRIGGER HORIZONTAL ASSEMBLY .....	I-70 & I-71
3-STAGE FRONT OUTRIGGER HORIZONTAL ASSEMBLY (BIG FEET) .....	I-72 & I-73
3-STAGE FRONT OUTRIGGER (LIFT FUNCTION) HYDRAULICS .....	I-74 & I-75
3-STAGE FRONT OUTRIGGER (EXTEND FUNCTION) HYDRAULICS .....	I-76 & I-77
3-STAGE FRONT OUTRIGGER VALVE ASSEMBLY .....	I-78 & I-79
LOWER CONTROL VALVE ASSEMBLY .....	I-80 & I-81
HHU OUTRIGGER VERTICAL ASSEMBLY .....	I-82 thru I-85
HHU OUTRIGGER HORIZONTAL ASSEMBLY .....	I-86 thru I-89
HHU OUTRIGGER HORIZONTAL ASSEMBLY (BIG FEET).....	I-90 thru I-93
HHU OUTRIGGER (LIFT FUNCTION) HYDRAULICS .....	I-94 thru I-97
HHU OUTRIGGER (EXTEND FUNCTION) HYDRAULICS.....	I-98 & I-99
UNDERLIFT MAST ASSEMBLY - HHU.....	I-100 thru I-103
HORIZONTAL BOOM ASSEMBLY - HHU (STREET LOWRIDER).....	I-104 thru I-107
HORIZONTAL BOOM ASSEMBLY - HHU (COACH LOWRIDER) .....	I-108 thru I-111
UNDERLIFT INSTALLATION - HHU (STREET/COACH LOWRIDER) .....	I-112 thru I-115
LOWER CONTROL & HHU VALVE INSTALLATION WITH COVERS.....	I-116 thru I-119
UNDERLIFT HYDRAULICS - HHU (STREET/COACH LOWRIDER) .....	I-120 & I-121
PUMP, TANK, & FRONT OUTRIGGER VALVE HYDRAULICS .....	I-122 & I-123



# TABLE OF CONTENTS

## Section I - PARTS

TANK, FRONT OUTRIGGER VALVE, HYDRAULIC SWIVEL HYDRAULICS .....	I-124 & I-125
TANK, LOWER CONTROL VALVE, & REAR OUTRIGGER VALVE HYDRAULICS .....	I-126 & I-127
HYDRAULIC PUMP ASSEMBLY .....	I-128 & I-129
LIFT ADAPTERS .....	I-130 & I-131



## Section I - PARTS

REF. 05000923

This Section is provided by the manufacturer for the purpose of ordering any component part of the **Century 1150R Recovery Unit with HHU Underlift** that may be required when part replacement is necessary. Be certain to use only original equipment replacement parts for warranty purposes as well as for keeping your unit in its original state and optimum operating capacities.

When ordering replacement or spare parts be sure to provide the following information to the manufacturer's **Parts Department**.

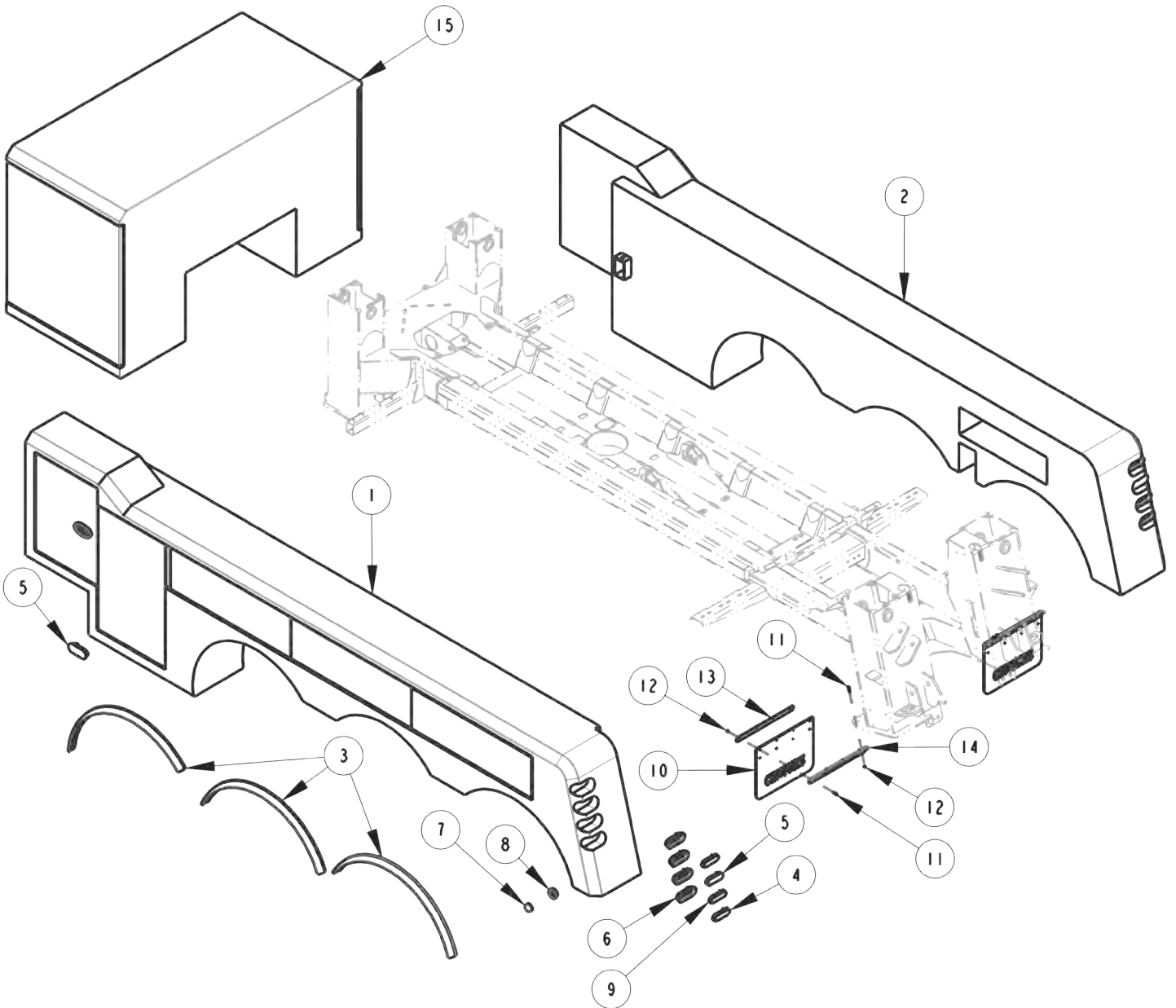
1. **Manual Number & Date of Publication**
2. **Manual Page Number**
3. **Page Title**
4. **Reference Number of Part Desired**
5. **Part Number**
6. **Part Description**
7. **Quantity of Part Desired**
8. **Unit Serial Number**

Providing this information will help ensure that the correct parts will be delivered to you in an expedient manner without delay. Should additional information be required for repair or replacement of certain components, contact your Wrecker Manufacturer Authorized Representative.

The Manufacturer reserves the right, without notice or obligation, to improve or modify their products, which may change the specifications, models and feature availability.

# Section I - PARTS

## BODY AND TUNNEL BOX ASSEMBLY



## Section I - PARTS

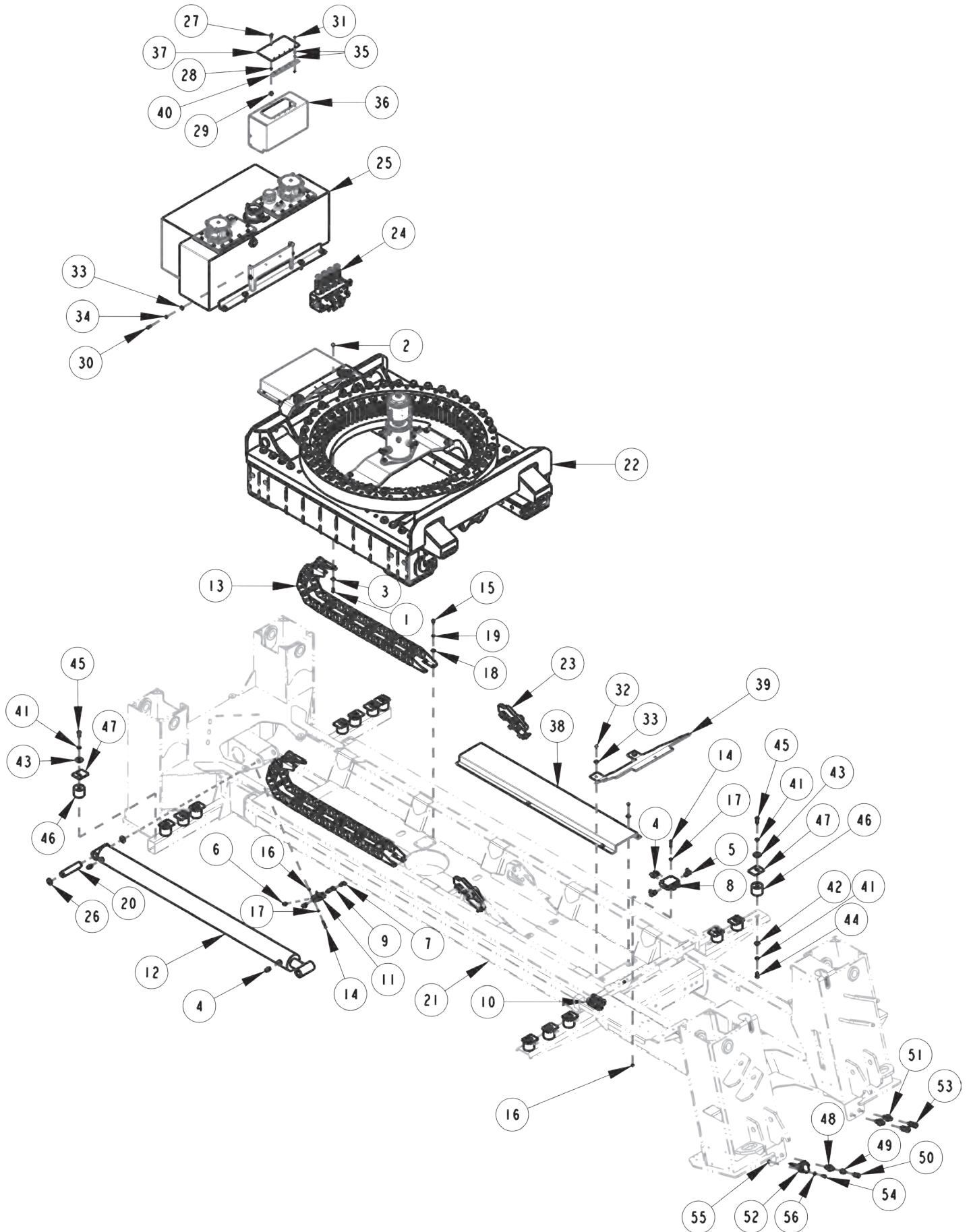
### BODY AND TUNNEL BOX ASSEMBLY

ITEM	PART NUMBER	DESCRIPTION	QTY
--	0910825	TOOLBOX, BUA ROT-TRI 2010 W/ PD	--
--	0311140	DOOR SEAL	110FT
1	0312381	2010 180CB 10XX ROT TRI BDY LH	1
2	0312382	2010 180CB 10XX ROT TRI BDY RH	1
--	0907311	KIT-RUBBER FENDER-TRIAXL (AL)	--
3	0307151	RUBBER FENDER	35FT
--	0400607	RIVET, 1/4" X 5/8" ALUMINUM	108
--	0911309	CENTURY BODY LAMP KIT-10 LAMP	--
4	0311500	LIGHT 6"OVAL REVERSE LED	2
5	0311502	LIGHT 6"OVAL CLEAR-AMBER LED	4
6	0311503	LIGHT 6"OVAL GROMMET	10
7	0311514	LIGHT 2.5" CLEAR LENS-RED LED	2
8	0311516	GROMMET, LIGHT 2.5" ROUND	2
--	0311520	LIGHT 3/4"RED SGL LED W/ GRMT	2
9	0312309	LIGHT 6" OVAL GLO-LT STT CLR/R	4
--	0312578	MILLENUM S MARKER AMBER/CLEAR 12/24LED	2
--	0908418	KIT-MUDFLAP CENTURY ROTATOR	--
10	0310631	MUD FLAP, CENTURY	2
11	0400103	SCREW, 5/16-18X1-1/4 HHC GR5	12
12	0400382	NUT, 5/16-18 LOCK	12
13	0717386	BAR - MUDFLAP	2
14	0718264	ANGLE - ROTATOR MUD FLAP MOUNT	2
15	124004389W	TUNNEL BOX, 48 ALUM 2010	1



# Section I - PARTS

## SUBFRAME ASSEMBLY



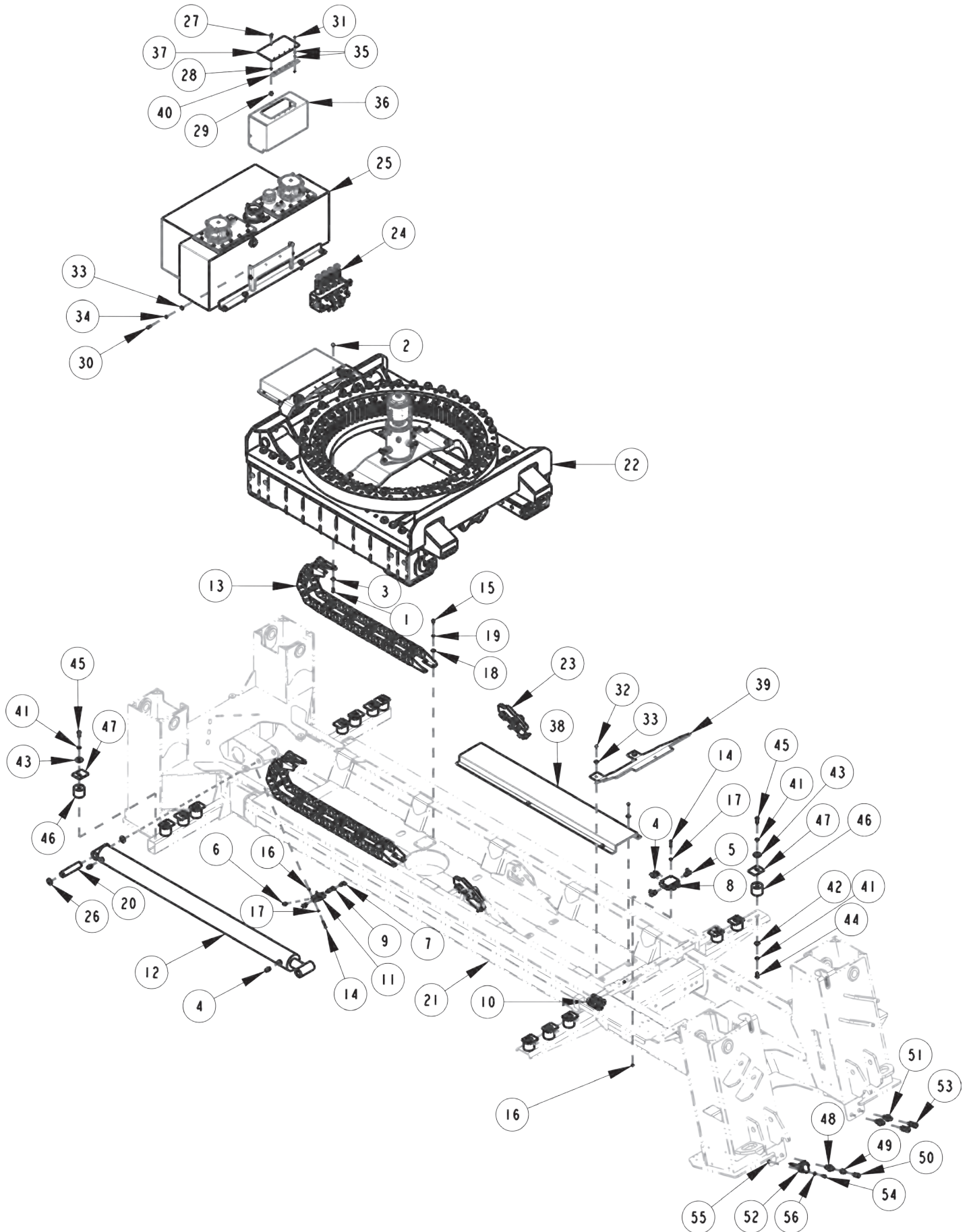
## Section I - PARTS

### SUBFRAME ASSEMBLY

ITEM	PART NUMBER	DESCRIPTION	QTY
--	0911564	TRAVEL BASE INSTALLATION	--
1	0400126	SCREW, 3/8-16X1 HHC GR5	8
2	0400392	NUT, 3/8-16 LOK	8
3	0400480	WASHER, 3/8	8
--	0911599	SUBFRAME ASSEMBLY	--
4	0300041	FITTING, CONNECTOR 8MJ-8MB	4
5	0301388	FITTING, 90ELL, 8MJ-8MB90	2
6	0301522	FITTING, CONN. 6MJ-6MB	1
7	0301620	FITTING, HYDRAULIC 6MJ - 6MB90	2
8	0301730	VALVE, DOUBLE HOLDING	1
9	0307460	FITTING, HYD 6MJ-6MB90LL	1
10	0310192	AIR SOL STK 12VDC 4 BANK	1
11	0310804	VALVE, SHUTTLE	1
12	0311776	CYLINDER TRAVEL	1
13	0311778	CARRIER TRAVEL HOSE	2
14	0400078	SCREW, 1/4-20X2 HHC GR5	4
15	0400121	SCREW, 3/8-16X3/4 HHC GR5	8
16	0400367	NUT, 1/4-20 LOK	4
17	0400451	WASHER, 1/4	4
18	0400480	WASHER, 3/8	8
19	0400482	LOCKWASHER, 3/8	8
20	0717639	PIN, CYLINDER	1
21	0810295	SUBFRAME WELDMENT 1150XLT	1
22	0911564	TRAVEL BASE INSTALLATION	1
23	0911565	TRAVEL LOCK ASSEMBLY	1
24	0911580	FRONT OUTRIGGER VALVE ASSEMBLY	1
25	0911857	TANK ASSEMBLY	1
26	9056150	RETAINING RING - 1 1/2	2
--	0911600	COMMON COVER KIT	--
27	0311901	FASTNER-WING HEAD QTR TURN	3
28	0311902	RETAINER SOUTHCO 85-34-201-20	3
29	0311903	RECEPTICLE-QTR TURN-SOUTHCO	3
30	0400126	SCREW, 3/8-16X1 HHC GR5	4
31	0400351	NUT, 8-32 HEX	30
32	0400392	NUT, 3/8-16 LOK	6
33	0400480	WASHER, 3/8	10
34	0400482	LOCKWASHER, 3/8	4
35	0402085	0402085	30
36	0725603	COVER FRONT OUTRIGGER VALVE	3
37	0725705	DOOR- OVERRIDE	3
38	0726253	CHANNEL HOSE COVER	1
39	0726258	PLATE XLT REAR HOSE COVER (DU	1
40	23723009	HINGE, PIANO 304SS (10" LONG)	3

# Section I - PARTS

## SUBFRAME ASSEMBLY (cont'd)



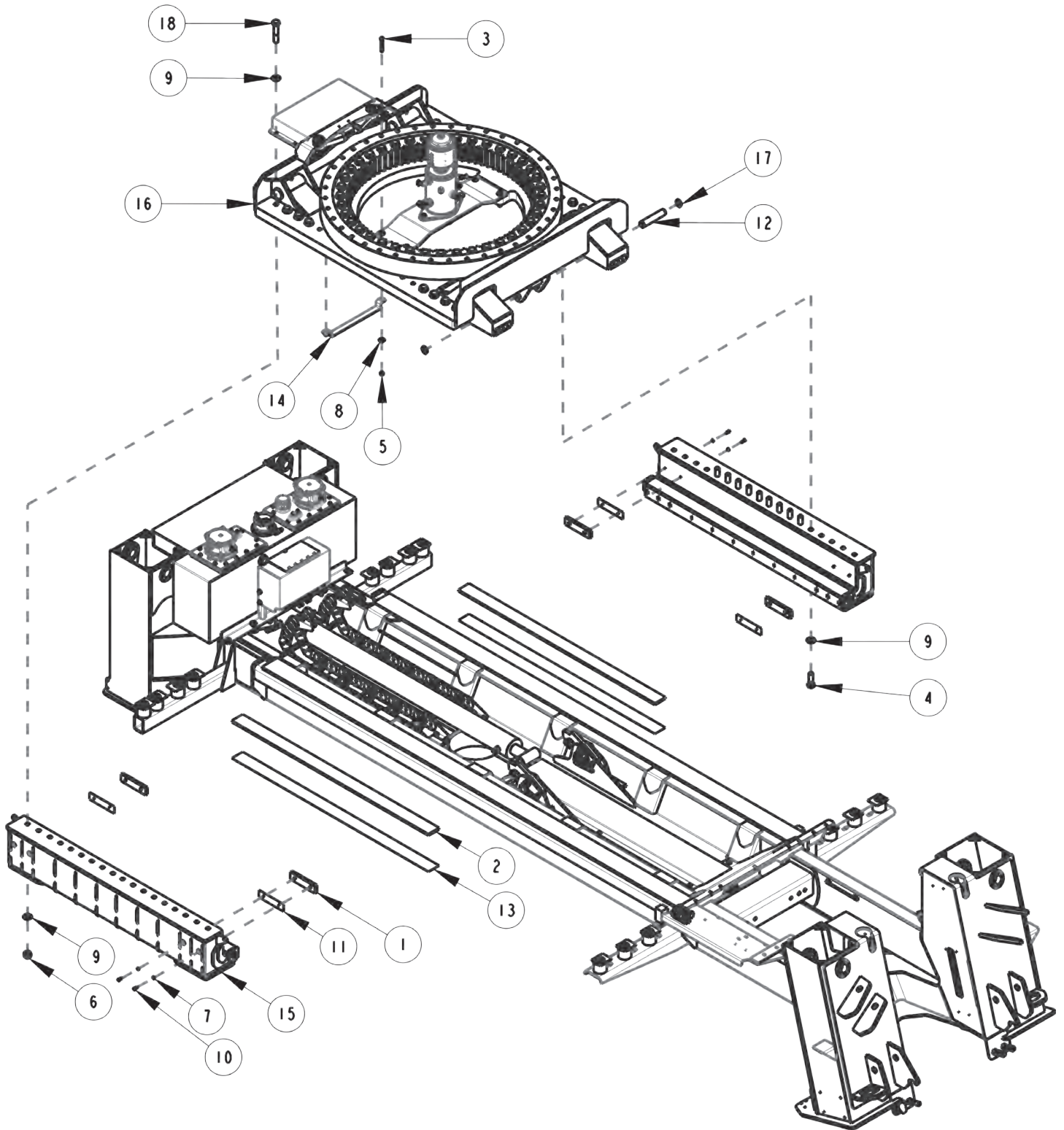
# Section I - PARTS

## SUBFRAME ASSEMBLY (cont'd)

ITEM	PART NUMBER	DESCRIPTION	QTY
--	0907508	KIT - MODULAR MOUNTS	--
41	0400491	LOCKWASHER1/2	20
42	0400497	WASHER, 1/2 GR8	6
43	0400498	WASHER, 1/2X2X0.125	14
44	9041402	1/2 NC X 1 1/4 HHCS PLT GR8	6
45	9041403	1/2 NC X 1 1/2 HHCS PL GR8	14
46	9402970	TOOLBOX MTG. PAD	14
47	942480011	PLATE,SLOT-SS REAR WASHER TBOX	20
--	0910488	FITTINGS BOX, QUICK CONN AIR	--
48	0301946	FITTING, BLKHD CONNECT	1
49	0303538	FITT, ADAPTER -BRASS 8FP-6MP	1
50	0303539	QUICK DISCONNECT 3/8 FPT	1
--	124002584	KIT-GLAD HND & 7-WAY TAILBOARD	--
51	0301946	FITTING, BLKHD CONNECT	1
52	0301948	HD 7 WAY TRAILER CONNECT	1
53	0304363	QUICK DISCONNECT 1/2 FPT	1
54	0400109	SCREW, 5/16-18X1 HHC GR5	2
55	0400382	NUT, 5/16-18 LOK	2
56	0400463	WASHER, 5/16	2

# Section I - PARTS

## SUBFRAME ASSEMBLY (cont'd)





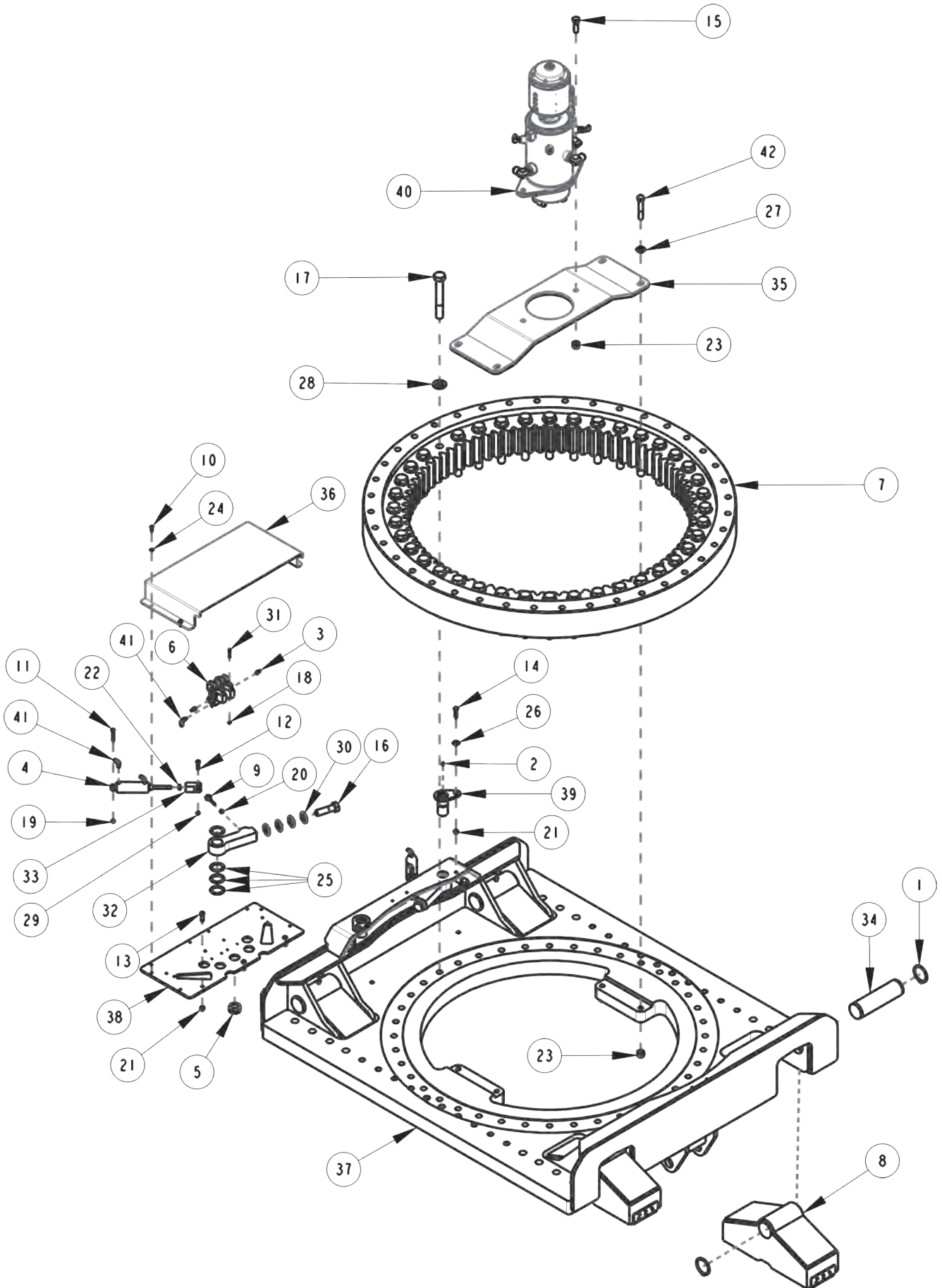
## Section I - PARTS

### SUBFRAME ASSEMBLY (cont'd)

ITEM	PART NUMBER	DESCRIPTION	QTY
--	0911564	TRAVEL BASE INSTALLATION	--
1	0301924	SLIDE PAD-BOOM-SIDE	4
2	0311780	SIDER PAD LOWER	2
3	0400186	SCREW, 1/2-13X3-1/2 HHC GR5	2
4	0400336	SCREW, 1-8X3 HHC GR8	20
5	0400408	NUT, 1/2-13 LOK	2
6	0400443	NUT, 1-8 LOK GR8	16
7	0400482	LOCKWASHER, 3/8	8
8	0400492	WASHER, 1/2	2
9	0400522	WASHER, 1-1/16X2X1/8	52
10	0400785	SCREW, 3/8-16X7/8 HHC GR8	8
11	0703734	SHIM, SIDE PLATE OUTER BOOM	4
12	0717639	PIN, CYLINDER	1
13	0725578	PLATE BEARING SHIM	2
14	0725585	BAR HOSE SUPPORT	1
15	0810238	TRAVEL BASE LOCK WELDMENT	2
16	0911563	TRAVEL BASE SUB-ASSEMBLY	1
17	9056150	RETAINING RING - 1 1/2	2
18	HD0281	1-8X5HHCS GR8 ZP	16

# Section I - PARTS

## SUBFRAME ASSEMBLY (cont'd)



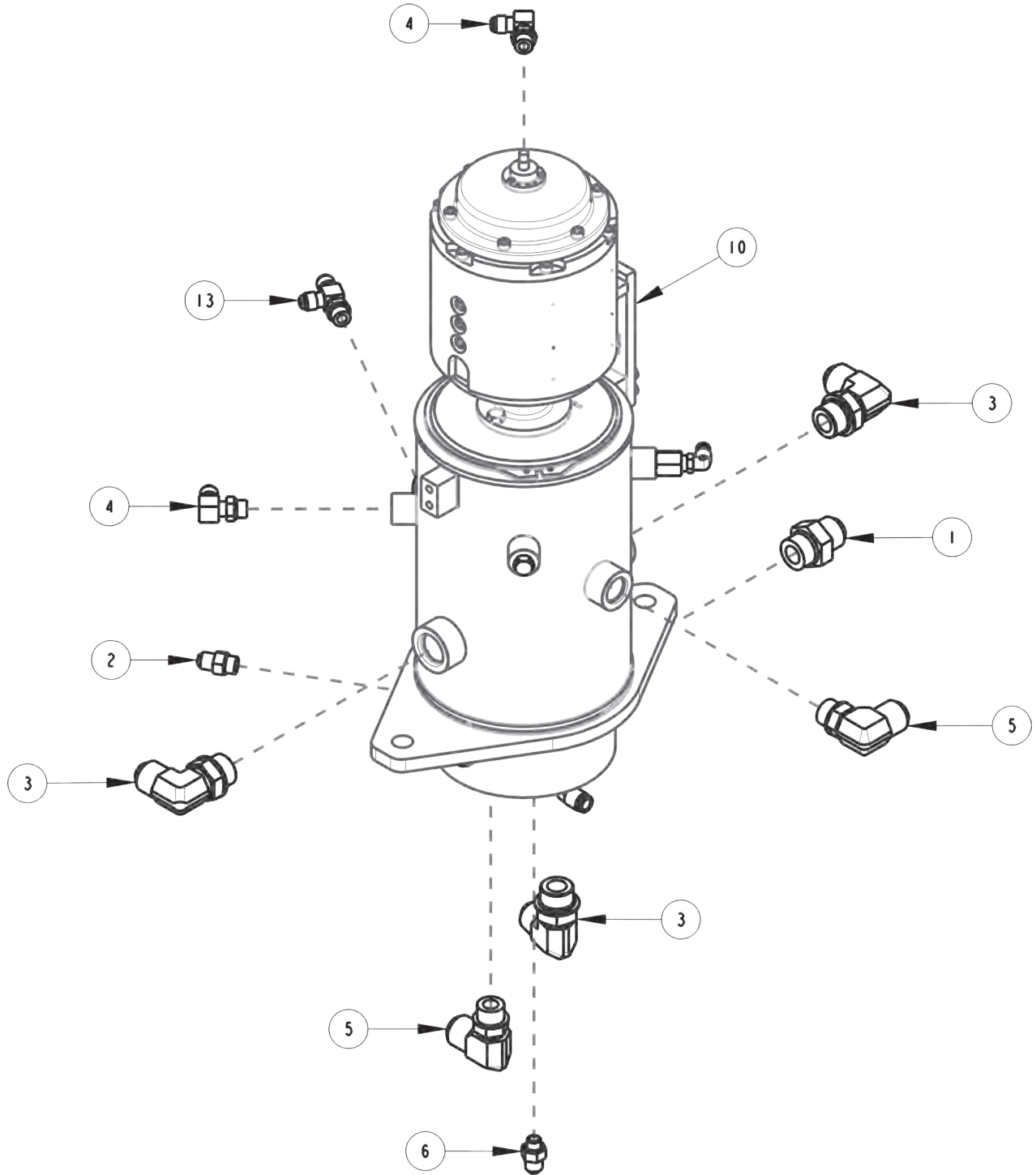
## Section I - PARTS

### SUBFRAME ASSEMBLY (cont'd)

ITEM	PART NUMBER	DESCRIPTION	QTY
--	0911563	TRAVEL BASE SUB-ASSEMBLY	--
1	0300108	SNAP RING, 2.5 5100-250	8
2	0300113	GREASE FITTING, 1/4-28 STR	2
3	0302677	BREATHER VENT 1/8 MP	2
4	0306698	AIR CYLINDER-1.5BORE/1.71STROK	2
5	0307766	GROMMET,RUBBER 1IDX1.75ODX3/8W	4
6	0310192	AIR SOL STK 12VDC 4 BANK	1
7	0311747	BEARING ROTATOR	1
8	0311775	ROLLER ASSEMBLY 75T	4
9	0311869	MALE ROD END 5/16 BORE	2
10	0400066	SCREW, 1/4-20X3/4 HHC GR5	4
11	0400078	SCREW, 1/4-20X2 HHC GR5	2
12	0400103	SCREW, 5/16-18X1-1/4 HHC GR5	2
13	0400122	SCREW, 3/8-16X1-1/4 HHC GR5	3
14	0400132	SCREW, 3/8-16X1-1/2 HHC GR5	2
15	0400274	SCREW, 5/8-11X2 HHC GR8	2
16	0400304	SCREW, 7/8-9X2-1/2 HHC GR8	2
17	0400337	SCREW, 1-8X7 HHC GR8	40
18	0400351	NUT, 8-32 HEX	2
19	0400367	NUT, 1/4-20 LOK	2
20	0400383	NUT, 5/16-24 HEX	2
21	0400392	NUT, 3/8-16 LOK	5
22	0400401	NUT, 7/16-20 JAM PL	2
23	0400426	NUT, 5/8-11 LOK GR8	6
24	0400452	LOCKWASHER, 1/4	4
25	0400478	WASHER, 1-1/2X0.062 SHIM	8
26	0400480	WASHER, 3/8	2
27	0400503	WASHER, 5/8 GR8	4
28	0400522	WASHER, 1-1/16X2X1/8	40
29	0400776	NUT, 5/16-18 JAM LOK	2
30	0400821	WASHER, 7/8 SAE GR8	8
31	0402003	SCREW, 8-32X1-1/2 PRH SS	2
32	0725579	PLATE HOUSE LOCK	2
33	0725580	BLOCK CLEVIS	2
34	0725587	PIN ROLLER PIVOT	4
35	0725610	PLATE HYDRAULIC SWIVEL MTG	1
36	0726312	PLATE CYLINDER COVER	1
37	0810237	TRAVEL BASE WELDMENT	1
38	0810244	HOUSE LOCK BRACKET WELDMENT	1
39	0810249	HOUSE LOCK PIVOT PIN WELDMENT	2
40	0911567	SWIVEL HYDRAULIC ROTARY	1
41	9010030	FITT, BRASS ELBOW 1/4T-1/8MPX	5
42	9043975	H.H.C.SCREW 5/8N.C.X3 1/2	4

# Section I - PARTS

## HYDRAULIC ROTARY SWIVEL ASSEMBLY (FITTINGS)



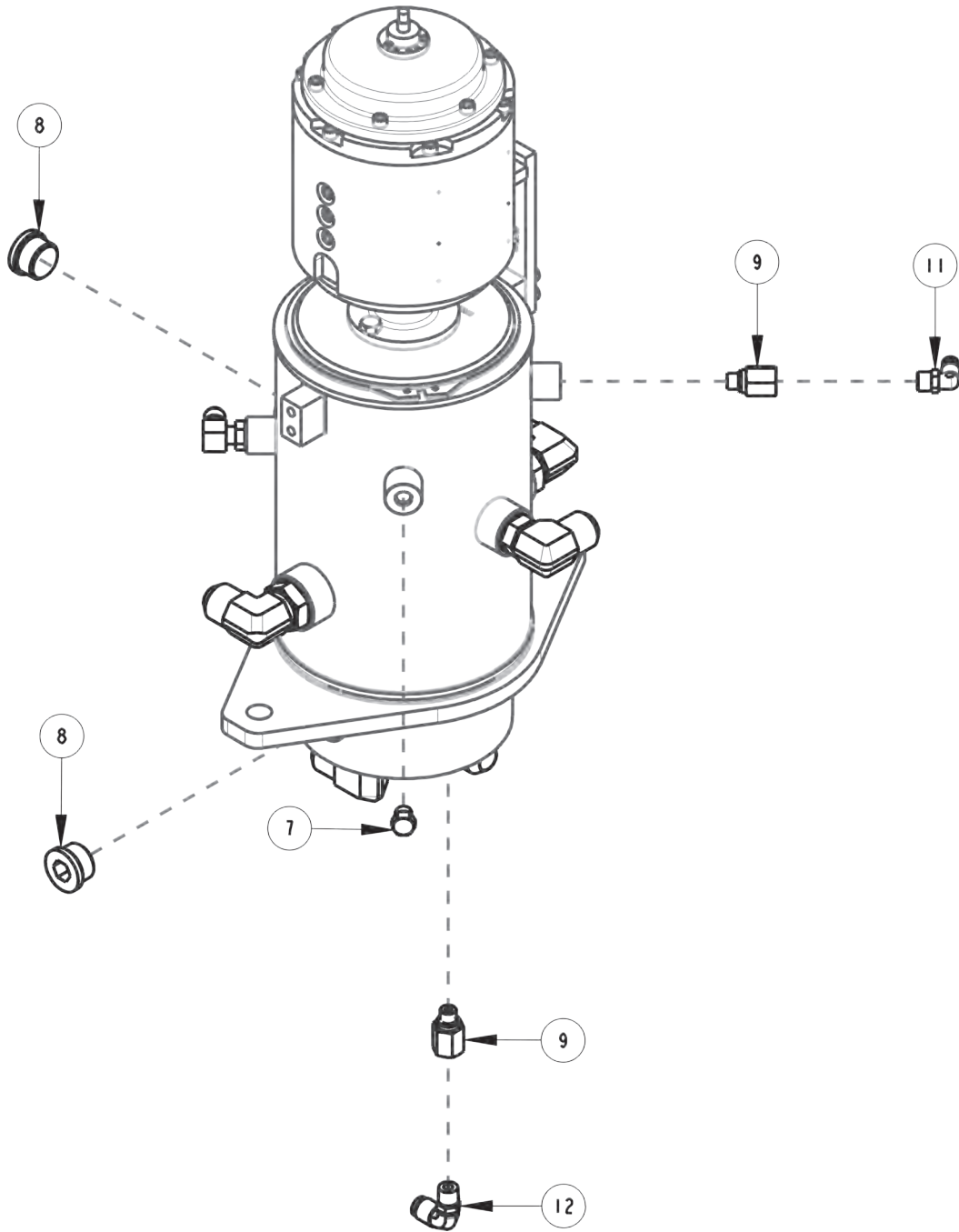
## Section I - PARTS

### HYDRAULIC ROTARY SWIVEL ASSEMBLY (FITTINGS)

ITEM	PART NUMBER	DESCRIPTION	QTY
--	0911567	SWIVEL HYDRAULIC ROTARY	--
1	0300400	CONNECTOR, 12MJ-12MB	1
2	0301522	FITTING, CONN. 6MJ-6MB	2
3	0301545	FITTING, ELB 12MJ-12MB 90	3
4	0301620	FITTING, HYDRAULIC 6MJ - 6MB90	2
5	0302085	FITTING, 90 DEG ADAPTER	2
6	0302695	ADAPTER, 6MJ-4MB	1
7	0303886	4 MB-PLUG	1
8	0306901	PLUG- 3/4"SAE O-RING-HEXSOC	2
9	0310132	FITTING, HYD 4MB-4FP	2
10	0311781	HYDRAULIC SWIVEL	1
11	9010520	FITTING-ELBOW 1/4T-1/4NPT	1
12	9012584	ELBOW-1/4NPT X 3/8TUBE 9	1
13	9012594	FITT,HYD RUN TEE, 6MJx6MBx6MJ	1

# Section I - PARTS

## HYDRAULIC ROTARY SWIVEL ASSEMBLY (FITTINGS)



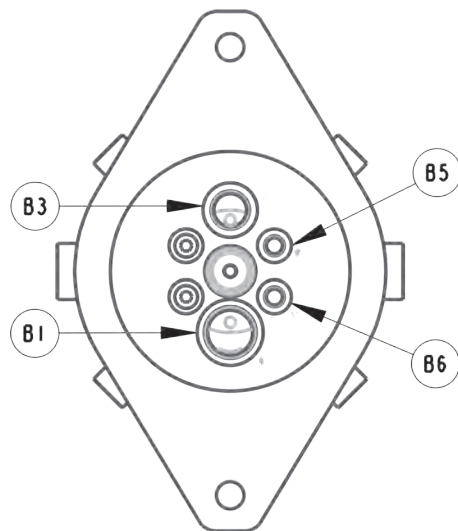
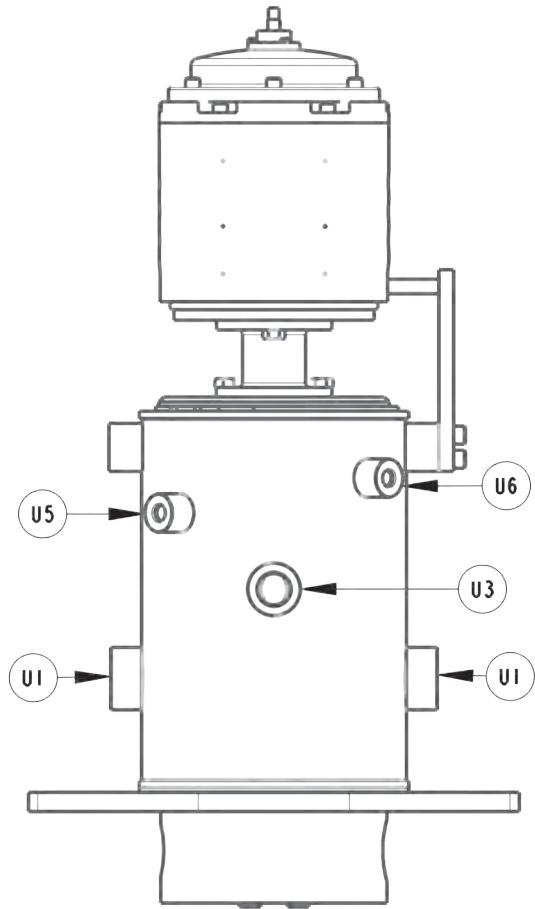
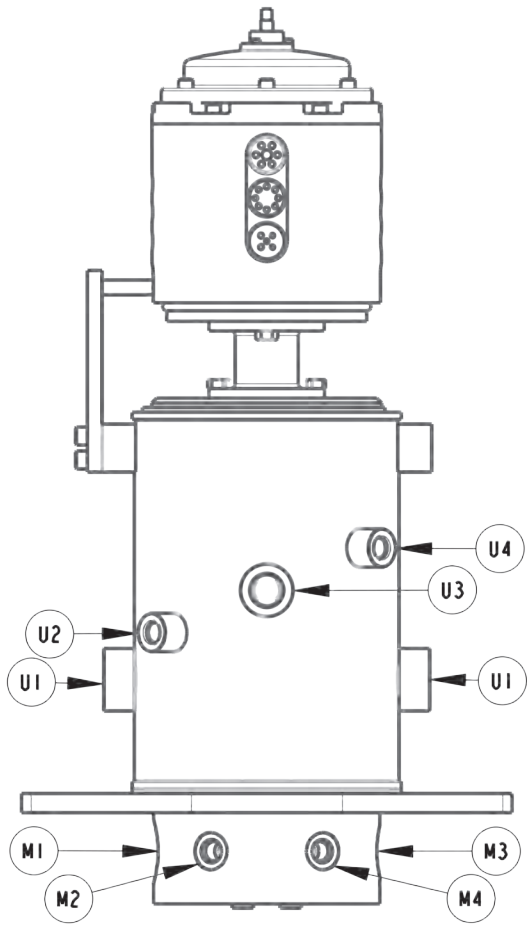
## Section I - PARTS

### HYDRAULIC ROTARY SWIVEL ASSEMBLY (FITTINGS)

ITEM	PART NUMBER	DESCRIPTION	QTY
--	0911567	SWIVEL HYDRAULIC ROTARY	--
1	0300400	CONNECTOR, 12MJ-12MB	1
2	0301522	FITTING, CONN. 6MJ-6MB	2
3	0301545	FITTING, ELB 12MJ-12MB 90	3
4	0301620	FITTING, HYDRAULIC 6MJ - 6MB90	2
5	0302085	FITTING, 90 DEG ADAPTER	2
6	0302695	ADAPTER, 6MJ-4MB	1
7	0303886	4 MB-PLUG	1
8	0306901	PLUG- 3/4"SAE O-RING-HEXSOC	2
9	0310132	FITTING, HYD 4MB-4FP	2
10	0311781	HYDRAULIC SWIVEL	1
11	9010520	FITTING-ELBOW 1/4T-1/4NPT	1
12	9012584	ELBOW-1/4NPT X 3/8TUBE 9	1
13	9012594	FITT,HYD RUN TEE, 6MJx6MBx6MJ	1

# Section I - PARTS

## HYDRAULIC ROTARY SWIVEL ASSEMBLY (PORTS)





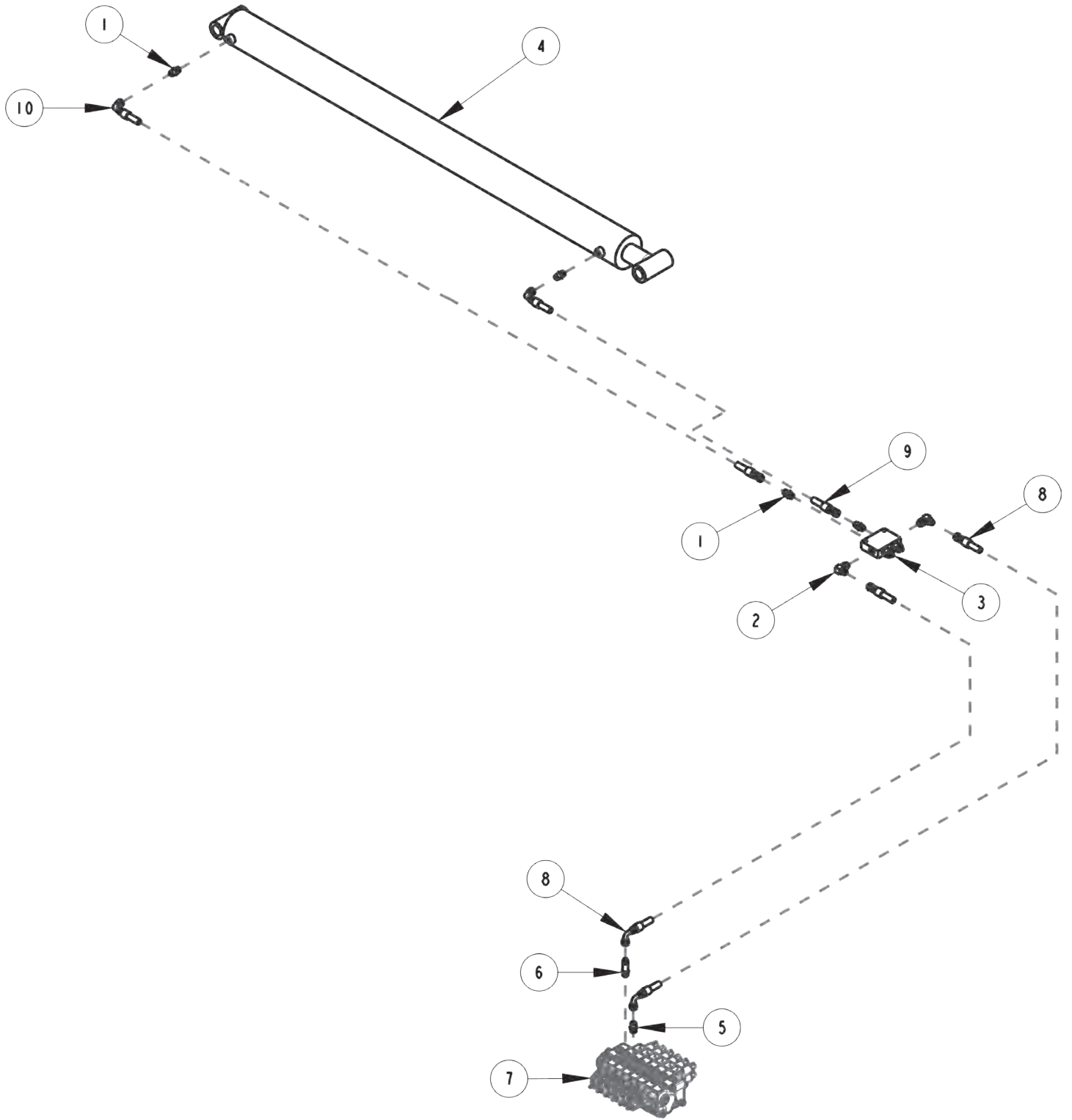
## Section I - PARTS

### HYDRAULIC ROTARY SWIVEL ASSEMBLY (PORTS)

ITEM	PART NUMBER	DESCRIPTION	QTY
PORT	0911567	SWIVEL HYDRAULIC ROTARY	--
U1	0301545	FITTING, ELB 12MJ-12MB 90	2
U2	0301620	FITTING, HYDRAULIC 6MJ - 6MB90	1
U3	0302085	FITTING, 90 DEG ADAPTER	1
U3	0306901	PLUG- 3/4"SAE O-RING-HEXSOC	1
U4	0301620	FITTING, HYDRAULIC 6MJ - 6MB90	1
U5	0303886	4 MB-PLUG	1
U6	0310132	FITTING, HYD 4MB-4FP	1
U6	9010520	FITTING-ELBOW 1/4T-1/4NPT	1
M1	0300400	CONNECTOR, 12MJ-12MB	1
M2	9012594	FITT,HYD RUN TEE, 6MJx6MBx6MJ	1
M3	0306901	PLUG- 3/4"SAE O-RING-HEXSOC	1
M4	0301522	FITTING, CONN. 6MJ-6MB	1
B1	0301545	FITTING, ELB 12MJ-12MB 90	1
B3	0302085	FITTING, 90 DEG ADAPTER	1
B5	0302695	ADAPTER, 6MJ-4MB	1
B6	0310132	FITTING, HYD 4MB-4FP	1
B6	9012584	ELBOW-1/4NPT X 3/8TUBE 9	1

# Section I - PARTS

## TRAVEL CYLINDER HYDRAULICS



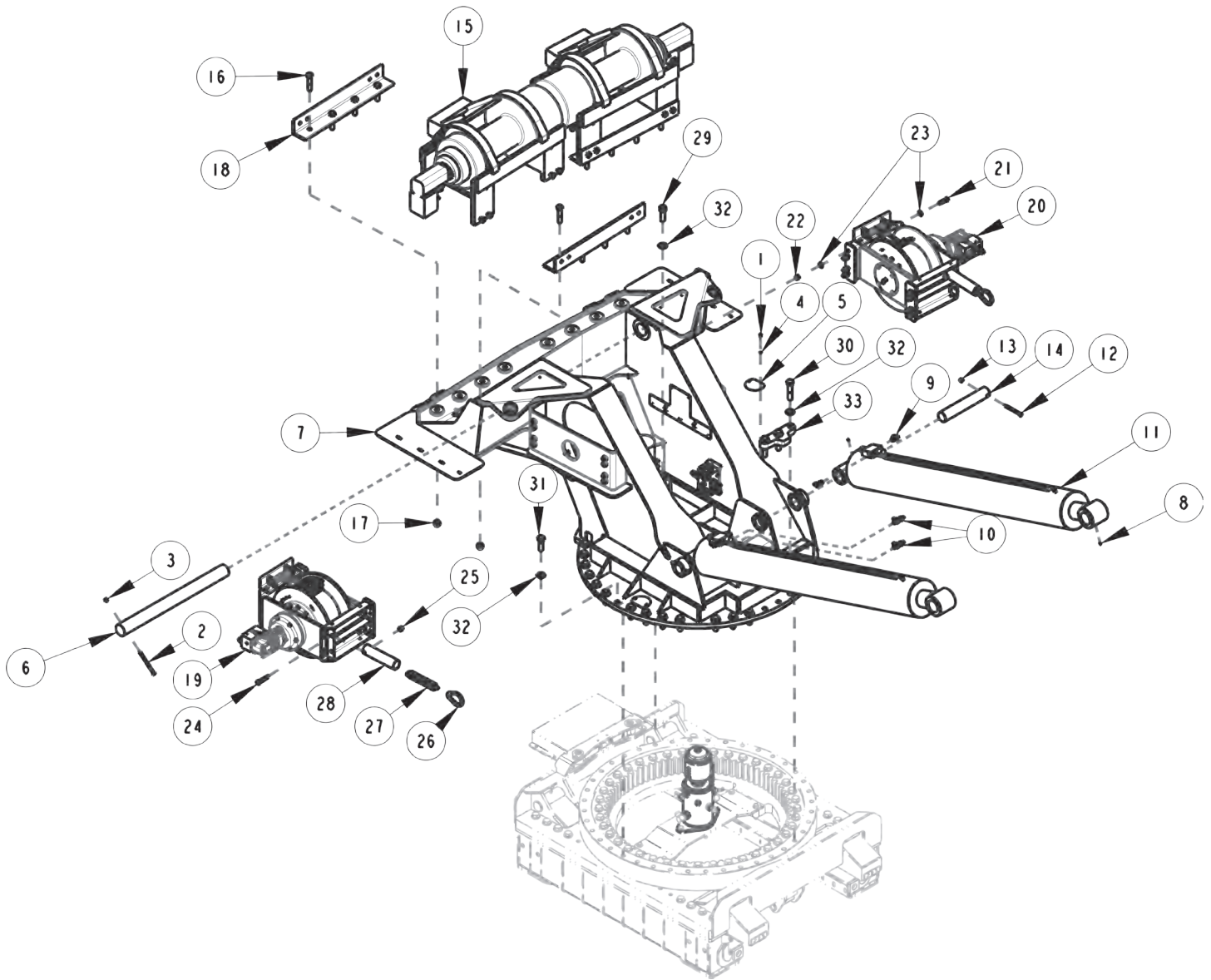
## Section I - PARTS

### TRAVEL CYLINDER HYDRAULICS

ITEM	PART NUMBER	DESCRIPTION	QTY
--	0911599	SUBFRAME ASSEMBLY	--
1	0300041	FITTING, CONNECTOR 8MJ-8MB	4
2	0301388	FITTING, 90ELL, 8MJ-8MB90	2
3	0301730	VALVE, DOUBLE HOLDING	1
4	0311776	CYLINDER TRAVEL	1
--	0911577	LOWER VALVE ASSEMBLY	--
5	0300041	FITTING, CONNECTOR 8MJ-8MB	6
6	0301445	FITTING, EXTENDED	6
7	0311653	VALVE CONTROL 6 SPOOL	1
--	0911796	HYDRAULIC HOSE KIT, 1150 XLT	--
8	0303182	HOSE HYD, 41"	2
9	0312611	HOSE 69" 8FJX-8M3K-8FJX90S	1
10	AWS-6821-A	HOSE ASSY-PRESSURE	1

# Section I - PARTS

## WRECKER FRAME ASSEMBLY (DUAL DRAG WINCHES)



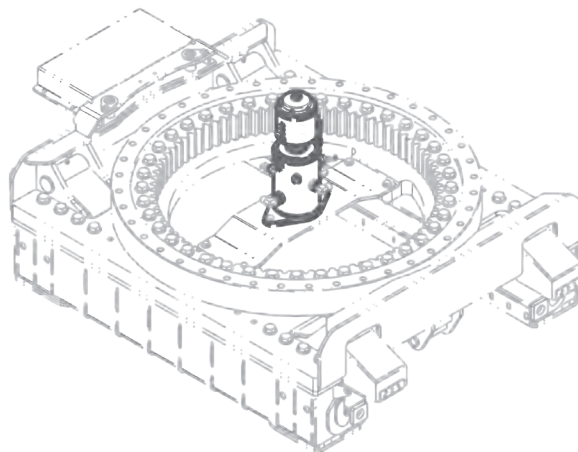
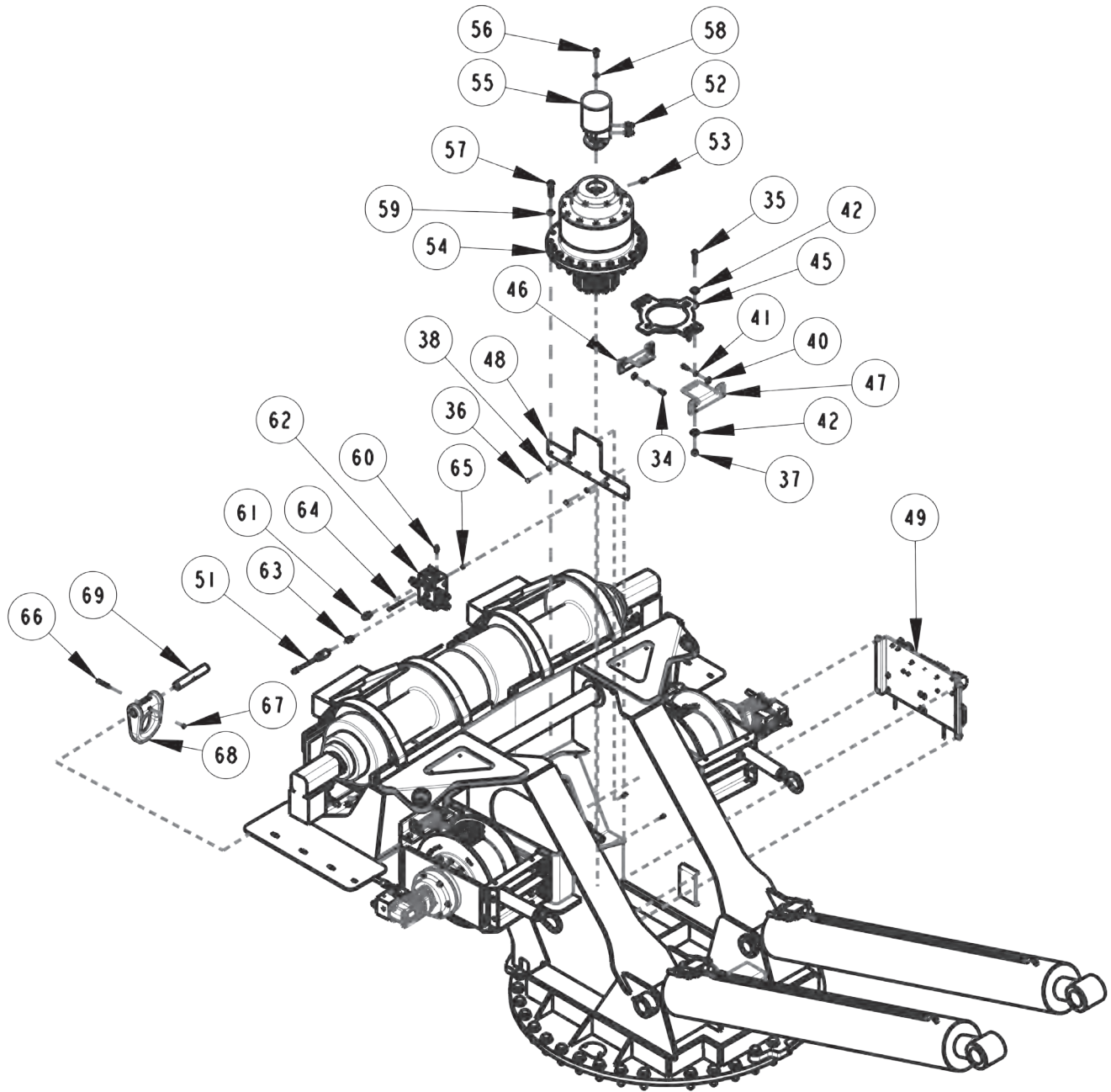
## Section I - PARTS

### WRECKER FRAME ASSEMBLY (DUAL DRAG WINCHES)

ITEM	PART NUMBER	DESCRIPTION	QTY
--	0911561	WRECKER FRAME ASSY 1150XL 12V	--
1	0400066	1/4-20 X 3/4 HHCS GR.5,ZP	16
2	0400180	1/2-16 x 6 HHSCS GR5 ZP	1
3	0400408	1/2-13 NYLOCK HEX NUT ZP	7
4	0400452	1/4 HELICAL LOCKWASHER ZP	16
5	0719162	PLATE, ACCESS COVER	2
6	0722103	SHAFT - BOOM PIVOT	1
7	0810236	WECKER FRAME WELDMENT 1150XLT	1
--	0911549	LIFT CYL ASSEMBLY 1150	--
8	0300113	GREASE FITTING, 1/4-28 STRAIGHT SS	4
9	0301388	ELBOW, 8MJ-8MB90	4
10	0302574	BULKHEAD RUN TEE W/NUT, 8MJ	2
11	0307629	CYLINDER - BOOM LIFT	2
12	0400206	1/2-13 X 5 HHCS GR.5, ZP	2
13	0400408	1/2-13 NYLOCK HEX NUT ZP	2
14	0718495	SHAFT-LIFT CYL PIVOT (FRAME)	2
--	0911454	WINCH ASSEMBLY 1150	--
15	0303505	WINCH-dp MODEL S50-50K (2)SPD	2
16	0400307	SCREW, 7/8-9X4 HHC GR8	16
17	0400437	NUT, 7/8-9 LOK GR8	16
18	0724984	ANGLE, WINCH MTG MR40-SA	4
--	0911537	22K X2 DRAG WINCH BUA PARTS	--
19	0310679	WINCH,LH DP 22K-MTVR-SIDE MTG	1
20	0310680	WINCH,RH DP 22K-MTVR-SIDE MTG	1
--	0910539	KIT, WINCH MOUNTING 22K	--
21	0400274	SCREW, 5/8-11X2 HHC GR8	16
22	0400426	NUT, 5/8-11 LOK GR8	16
23	0400503	WASHER, 5/8 GR8	16
--	0910966	KIT-WINCH CABLE STORAGE-BOLTED	--
24	0400257	5/8-11 x 3-1/4 HHCS GR5 ZP	2
25	0400421	5/8-11 NYLOCK HEX NUT ZP	4
26	9048800	5/8 WELDLESS CHAIN LINK	2
27	945030007	SPRING - CABLE TIEBACK	2
28	945292002	SPRING HOUSING	2
--	0911568	KIT - WRECKER MOUNTING	--
29	0400318	SCREW, 1-8X3 SHC	6
30	0400333	SCREW, 1-8X4-1/2 HHC GR8	3
31	0400336	SCREW, 1-8X3 HHC GR8	31
32	0400522	WASHER, 1-1/16X2X1/8	80
33	0725586	PLATE HOUSE LOCK FORWARD	1

# Section I - PARTS

## WRECKER FRAME ASSEMBLY (DUAL DRAG WINCHES) (cont'd)



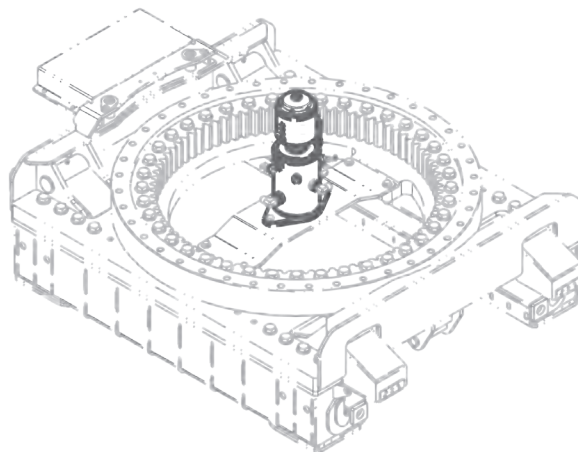
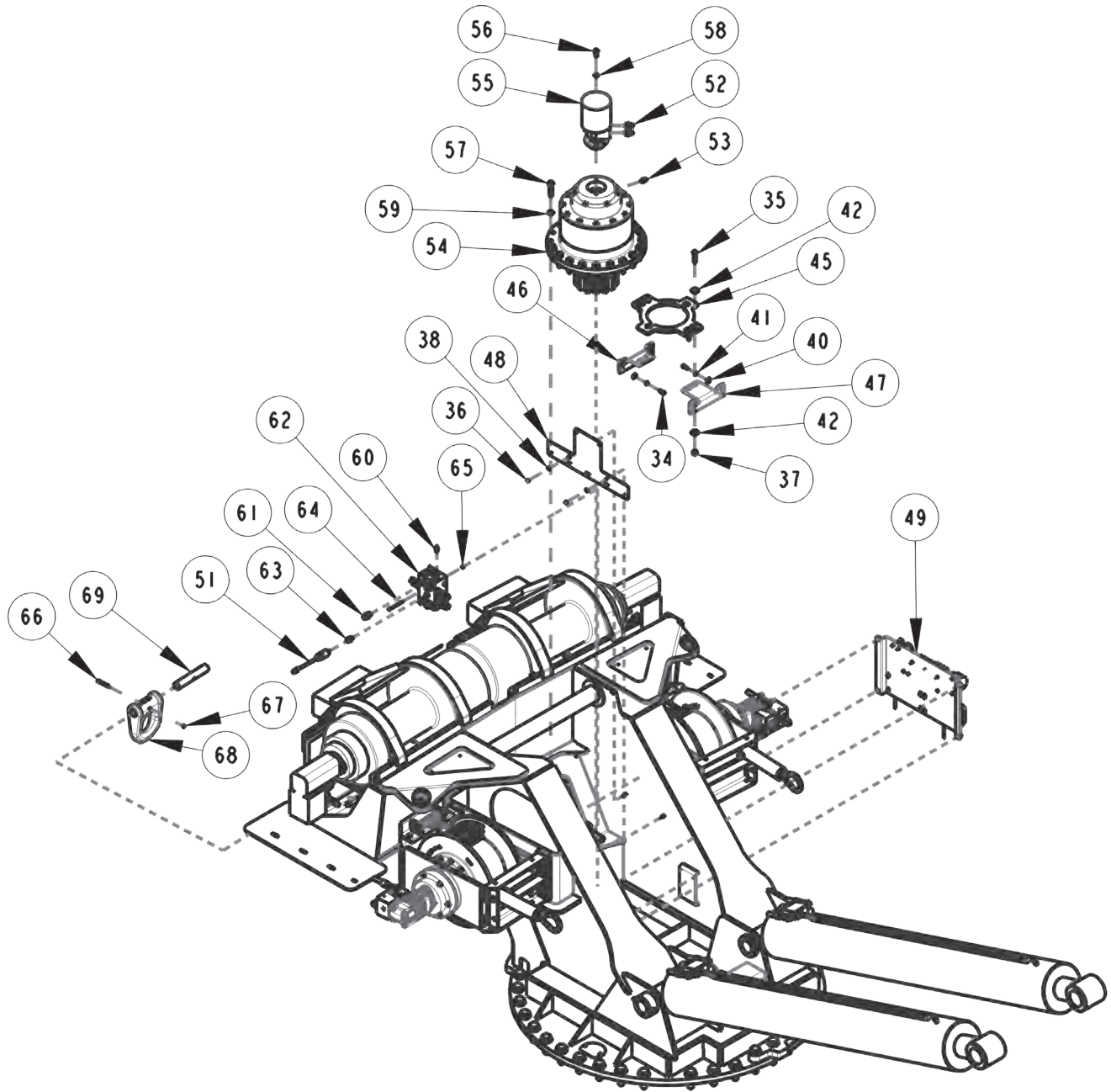
## Section I - PARTS

### WRECKER FRAME ASSEMBLY (DUAL DRAG WINCHES) (cont'd)

ITEM	PART NUMBER	DESCRIPTION	QTY
--	0911561	WRECKER FRAME ASSY 1150XL 12V	--
34	0400126	3/8-16 X 1 HHCS GR.5,ZP	8
35	0400188	1/2-13x2 HHCS GR 5 ZP	4
36	0400367	NUT, 1/4-20 LOK	2
37	0400408	NUT, 1/2"-13 HEX NYLOK	4
38	0400451	1/4 FLAT WASHER ZP	2
39	0400452	1/4 HELICAL LOCKWASHER ZP	16
40	0400480	WASHER, 3/8" FLAT	8
41	0400482	3/8 HELICAL LOCKWASHER ZP	10
42	0400492	WASHER, 1/2" FLAT	8
43	0726411	COVER-UPPER CONTROL VALVE	1
44	0726412	COVER-UPPER FILLER	1
45	0726417	PLATE - SWIVEL LOCK	1
46	0726418	ANGLE SWIVEL LOCK	1
47	0726419	LONG ANGLE-SWIVEL LOCK	1
48	0726421	OMNEX PANEL	1
49	0911552	AIR VALVE PLATE ASSEMBLY 1150 12V	1
50	0911578	UPPER VALVE ASSEMBLY	1
--	0910107	KIT, SWING ALARM	--
51	0310318	SWITCH - PRESSURE	1
--	0911359	SWING DRIVE W/ INTERNAL BRAKE	--
52	0301376	CONNECTOR 8MJx10MB	2
53	0302695	ADAPTER, 6MJ-4MB	1
54	0311453	PLANETARY GEARBOX	1
55	0311454	HYDRAULIC MOTOR, PARKER	1
56	0400176	1/2-13 X 1 HHCS GR.5,ZP	2
57	0400254	5/8-11 X 2.5 HHCS GR 5 ZP	16
58	0400491	1/2 HELICAL LOCKWASHER ZP	2
59	0400508	5/8 HELICAL LOCKWASHER ZP	16
60	HC1291	FITTING, 4MJ-4MB STR THR	1
--	0907994	SWING VALVE KIT (1060S)	--
61	0301376	CONNECTOR 8 MJ - 10 MB	4
62	0307396	SWING CONTROL VALVE	1
63	0310634	FITTING 6MB-4FP	1
64	0400081	1/4-20 x 3-1/2 Lg. HHCS Gr.5	2
65	0400367	1/4-20 NYLOCK HEX NUT ZP	2
--	0911957	KIT, D-RING PARTS	--
66	0400107	SCREW, 5/16-18X2-1/2 HHC GR5	2
67	0400776	NUT, 5/16-18 JAM LOK	2
68	0719585	D-RING, TOWING	2
69	GA0215	PIN-"D" RING	2

# Section I - PARTS

## WRECKER FRAME ASSEMBLY (DUAL DRAG WINCHES) (cont'd)





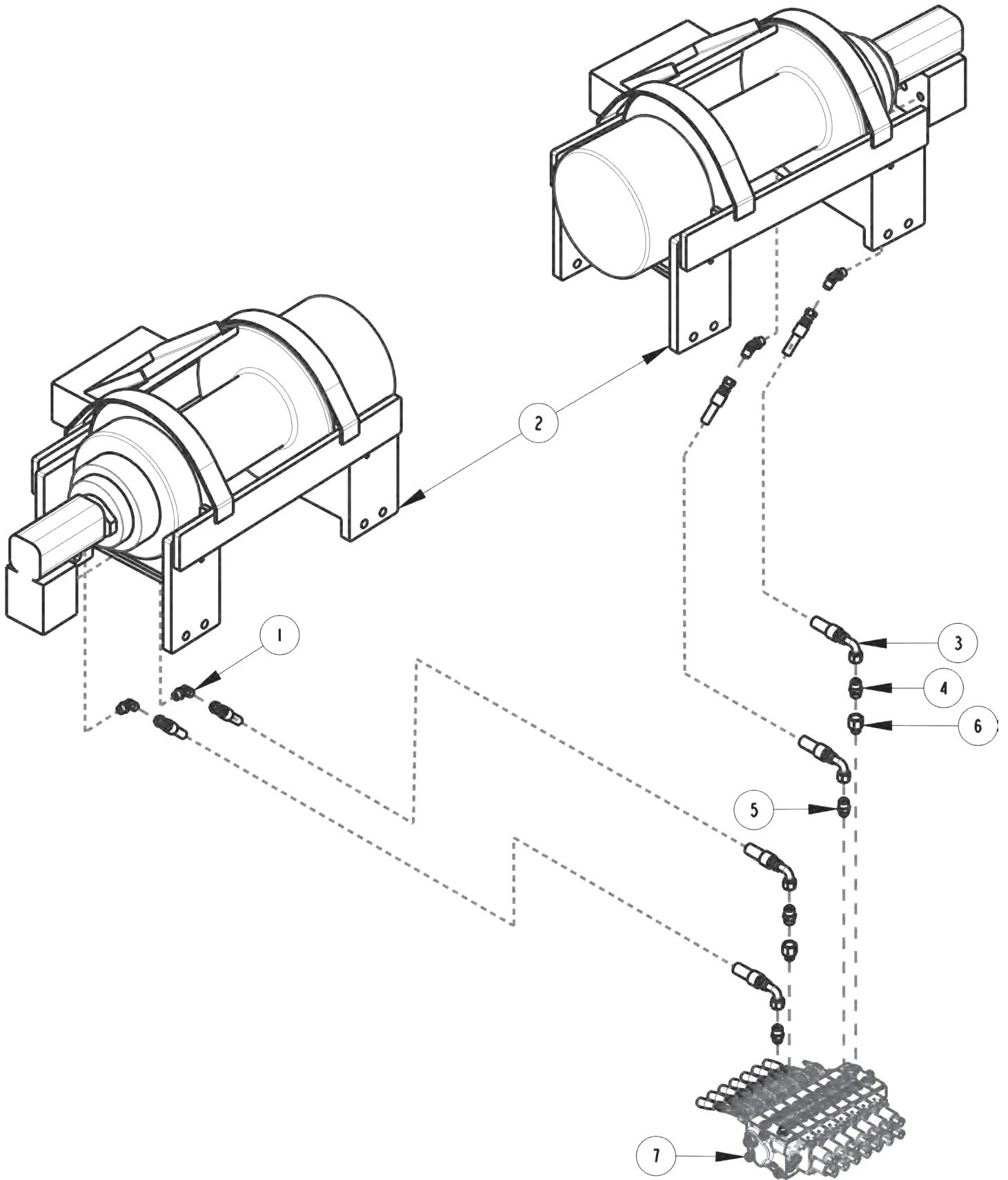
## Section I - PARTS

### WRECKER FRAME ASSEMBLY (DUAL DRAG WINCHES) (cont'd)

ITEM	PART NUMBER	DESCRIPTION	QTY
--	0911561	WRECKER FRAME ASSY 1150XL 12V	--
34	0400126	3/8-16 X 1 HHCS GR.5,ZP	8
35	0400188	1/2-13x2 HHCS GR 5 ZP	4
36	0400367	NUT, 1/4-20 LOK	2
37	0400408	NUT, 1/2"-13 HEX NYLOK	4
38	0400451	1/4 FLAT WASHER ZP	2
39	0400452	1/4 HELICAL LOCKWASHER ZP	16
40	0400480	WASHER, 3/8" FLAT	8
41	0400482	3/8 HELICAL LOCKWASHER ZP	10
42	0400492	WASHER, 1/2" FLAT	8
43	0726411	COVER-UPPER CONTROL VALVE	1
44	0726412	COVER-UPPER FILLER	1
45	0726417	PLATE - SWIVEL LOCK	1
46	0726418	ANGLE SWIVEL LOCK	1
47	0726419	LONG ANGLE-SWIVEL LOCK	1
48	0726421	OMNEX PANEL	1
49	0911552	AIR VALVE PLATE ASSEMBLY 1150 12V	1
50	0911578	UPPER VALVE ASSEMBLY	1
--	0910107	KIT, SWING ALARM	--
51	0310318	SWITCH - PRESSURE	1
--	0911359	SWING DRIVE W/ INTERNAL BRAKE	--
52	0301376	CONNECTOR 8MJx10MB	2
53	0302695	ADAPTER, 6MJ-4MB	1
54	0311453	PLANETARY GEARBOX	1
55	0311454	HYDRAULIC MOTOR, PARKER	1
56	0400176	1/2-13 X 1 HHCS GR.5,ZP	2
57	0400254	5/8-11 X 2.5 HHCS GR 5 ZP	16
58	0400491	1/2 HELICAL LOCKWASHER ZP	2
59	0400508	5/8 HELICAL LOCKWASHER ZP	16
60	HC1291	FITTING, 4MJ-4MB STR THR	1
--	0907994	SWING VALVE KIT (1060S)	--
61	0301376	CONNECTOR 8 MJ - 10 MB	4
62	0307396	SWING CONTROL VALVE	1
63	0310634	FITTING 6MB-4FP	1
64	0400081	1/4-20 x 3-1/2 Lg. HHCS Gr.5	2
65	0400367	1/4-20 NYLOCK HEX NUT ZP	2
--	0911957	KIT, D-RING PARTS	--
66	0400107	SCREW, 5/16-18X2-1/2 HHC GR5	2
67	0400776	NUT, 5/16-18 JAM LOK	2
68	0719585	D-RING, TOWING	2
69	GA0215	PIN-"D" RING	2

# Section I - PARTS

## RECOVERY WINCH HYDRAULICS



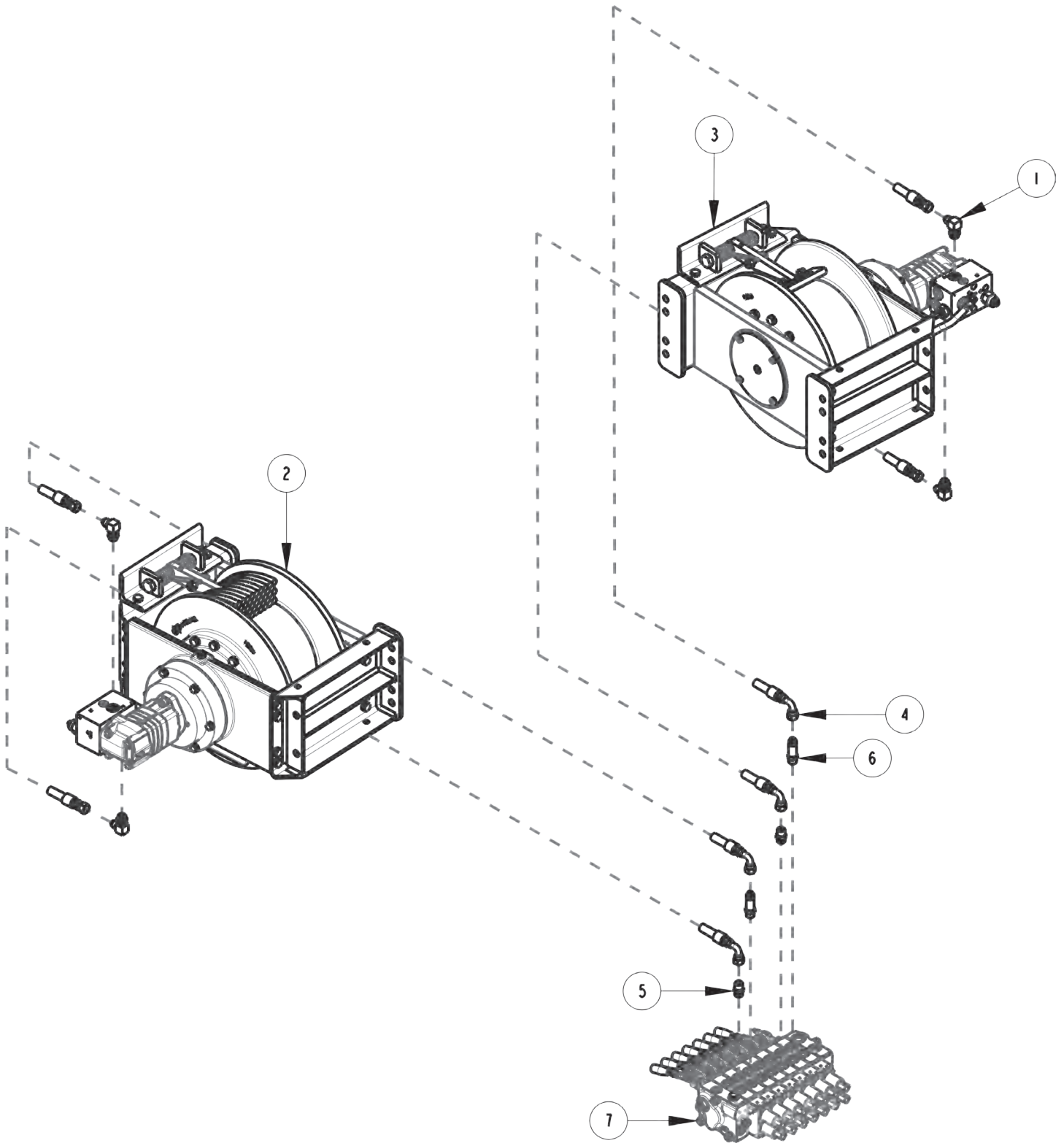
## Section I - PARTS

### RECOVERY WINCH HYDRAULICS

ITEM	PART NUMBER	DESCRIPTION	QTY
--	0911454	WINCH ASSEMBLY 1150	--
1	0302321	FITTING, ELB 45 DEG	4
2	0303505	WINCH-dp MODEL S50-50K (2)SPD	2
--	0911561	WRECKER FRAME ASSY 1150XL 12V	--
3	0303183	HOSE HYD, 5/8x50 8FJX-10FJX90S	4
--	0911578	UPPER VALVE ASSEMBLY	--
4	0302827	FITTING, CONNECTOR 10MJ-10MB	2
5	0303079	ADAPTER, 10MJ-10MB	2
6	0306633	FITTING, 8MB-10FB	2
7	0311652	VALVE CONTROL 7 SPOOL	1

# Section I - PARTS

## SIDE DRAG WINCH HYDRAULICS



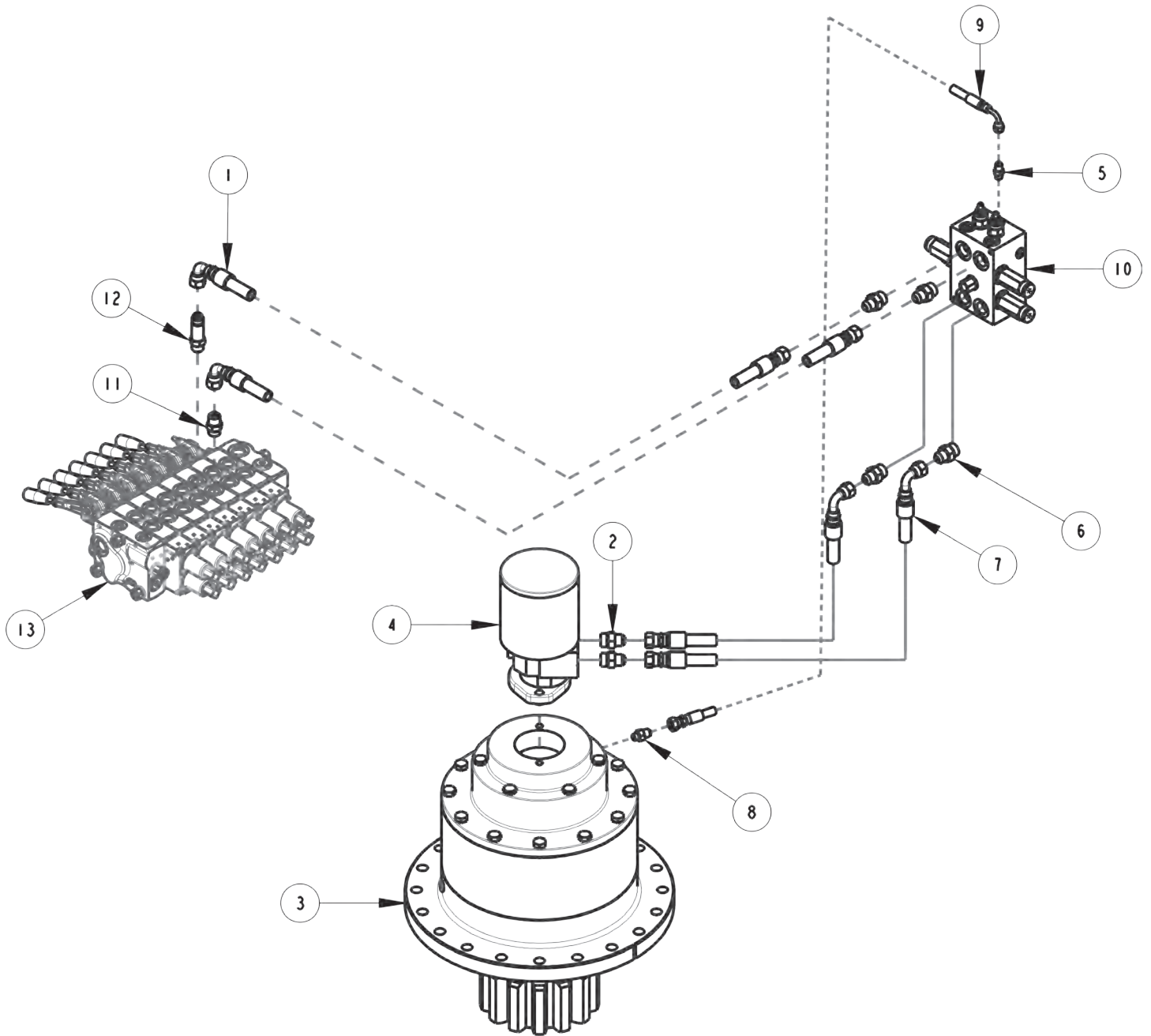
## Section I - PARTS

### SIDE DRAG WINCH HYDRAULICS

ITEM	PART NUMBER	DESCRIPTION	QTY
--	0910537	22K X2 DRAG WINCH BUA PARTS	--
1	0301388	FITTING, 90ELL, 8MJ-8MB90	4
2	0310679	WINCH,LH DP 22K-MTVR-SIDE MTG	1
3	0310680	WINCH,RH DP 22K-MTVR-SIDE MTG	1
--	0911561	WRECKER FRAME ASSY 1150XL 12V	--
4	0301370	HOSE, HYDRAULIC LIFT CYL 1040-B	8
--	0911578	UPPER VALVE ASSEMBLY	--
5	0300041	FITTING, CONNECTOR 8MJ-8MB	5
6	0301445	FITTING, EXTENDED	5
7	0311652	VALVE CONTROL 7 SPOOL	1

# Section I - PARTS

## SWING DRIVE HYDRAULICS



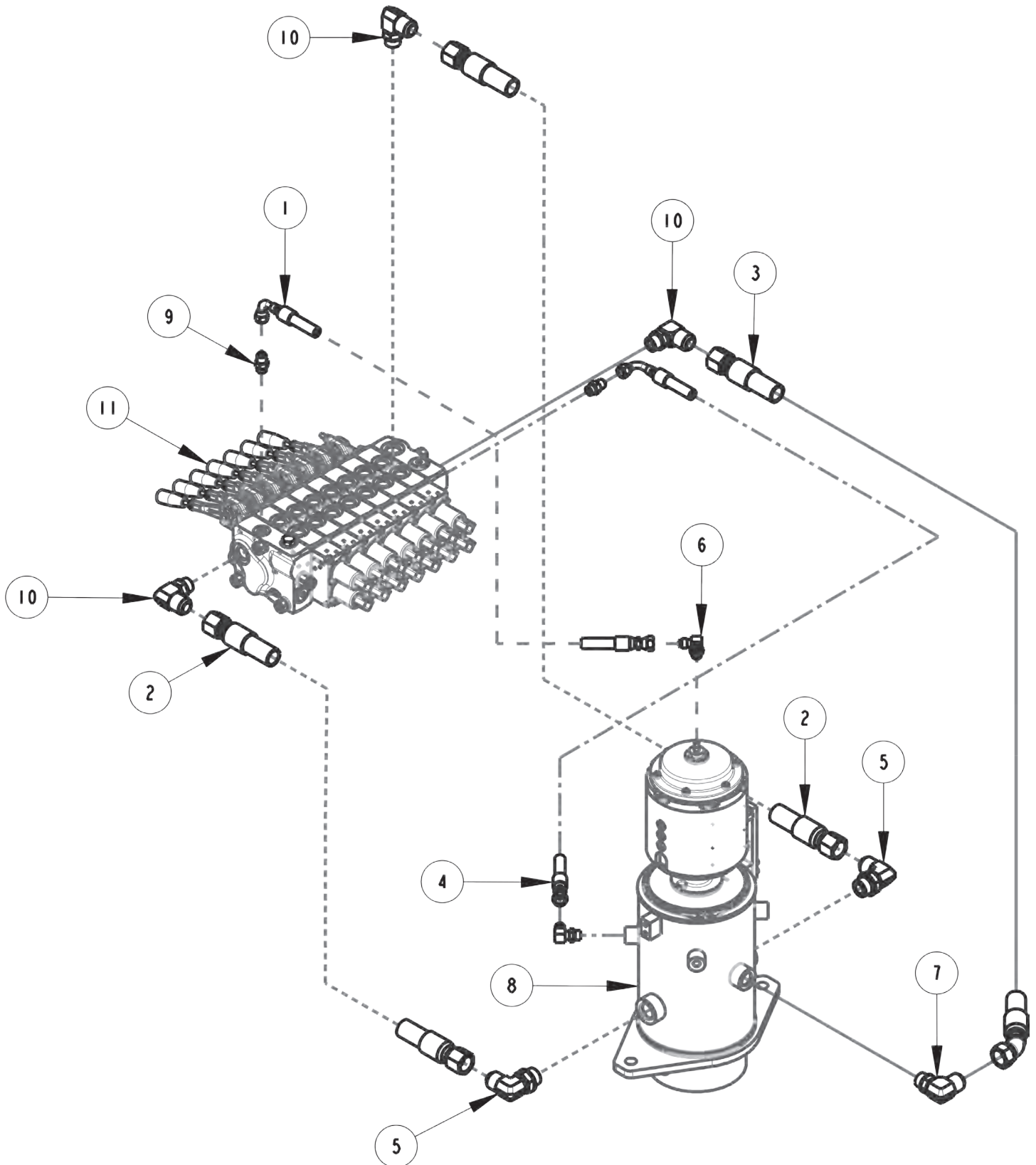
## Section I - PARTS

### SWING DRIVE HYDRAULICS

ITEM	PART NUMBER	DESCRIPTION	QTY
--	0911561	WRECKER FRAME ASSY 1150XL 12V	--
1	0301370	HOSE, HYDRAULIC LIFT CYL 1040-B	8
--	0911359	SWING DRIVE W/ INTERNAL BRAKE	--
2	0301376	CONNECTOR 8 MJ - 10 MB	2
3	0311453	250 SWING DRIVE W/INTERNAL BRK	1
4	0311454	MOTOR, HYDRAULIC, PARKER	1
5	HC1291	FITTING, 4MJ-4MB STR THR	1
--	0907994	SWING VALVE KIT (1060S)	--
6	0301376	CONNECTOR 8 MJ - 10 MB	4
7	0301471	HOSE HYD, 30"	2
8	0302695	ADAPTER, 6MJ-4MB	1
9	0303994	HOSE, HYDRAULIC 22"	1
10	0307396	SWING CONTROL VALVE	1
--	0911578	UPPER VALVE ASSEMBLY	--
11	0300041	FITTING, CONNECTOR 8MJ-8MB	5
12	0301445	FITTING, EXTENDED	5
13	0311652	VALVE CONTROL 7 SPOOL	1

# Section I - PARTS

## ROTARY HYDRAULIC SWIVEL HYDRAULICS





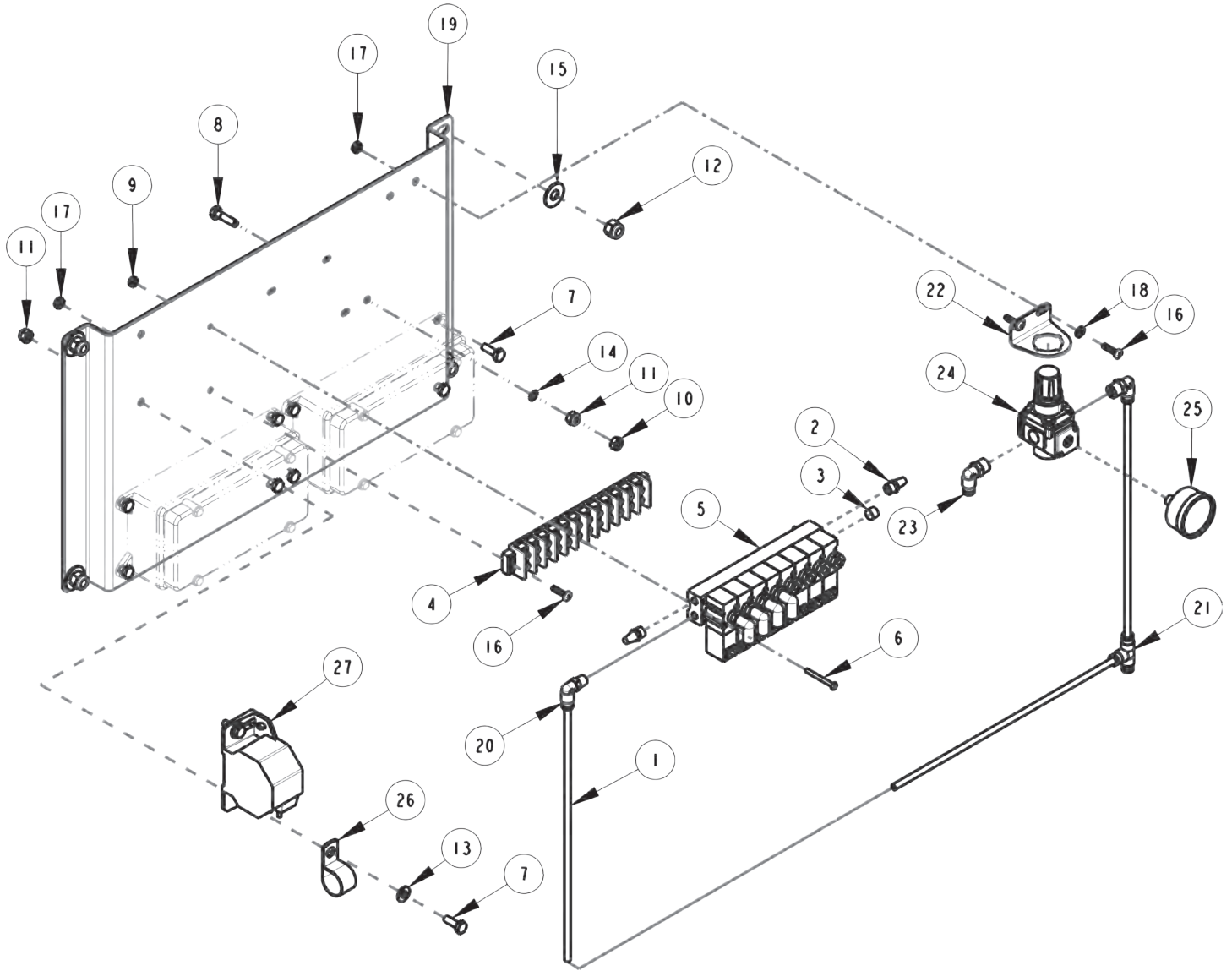
## Section I - PARTS

### ROTARY HYDRAULIC SWIVEL HYDRAULICS

ITEM	PART NUMBER	DESCRIPTION	QTY
--	0911561	WRECKER FRAME ASSY 1150XL 12V	--
1	0302585	HOSE, HYDRAULIC 54" LG	1
2	0303330	HOSE HYD, 40" LG	3
3	0303339	HOSE, HYDRAULIC 45" LG	1
4	0303389	HOSE HYD, 46" LG	1
--	0911567	SWIVEL HYDRAULIC ROTARY	--
5	0301545	FITTING, ELB 12MJ-12MB 90	2
6	0301620	FITTING, HYDRAULIC 6MJ - 6MB90	2
7	0302085	FITTING, 90 DEG ADAPTER	2
8	0311781	HYDRAULIC SWIVEL	1
--	0911578	UPPER VALVE ASSEMBLY	--
9	0301522	FITTING, CONN. 6MJ-6MB	2
10	0302085	FITTING, 90 DEG ADAPTER	3
11	0311652	VALVE CONTROL 7 SPOOL	1

# Section I - PARTS

## AIR VALVE PLATE ASSEMBLY



## Section I - PARTS

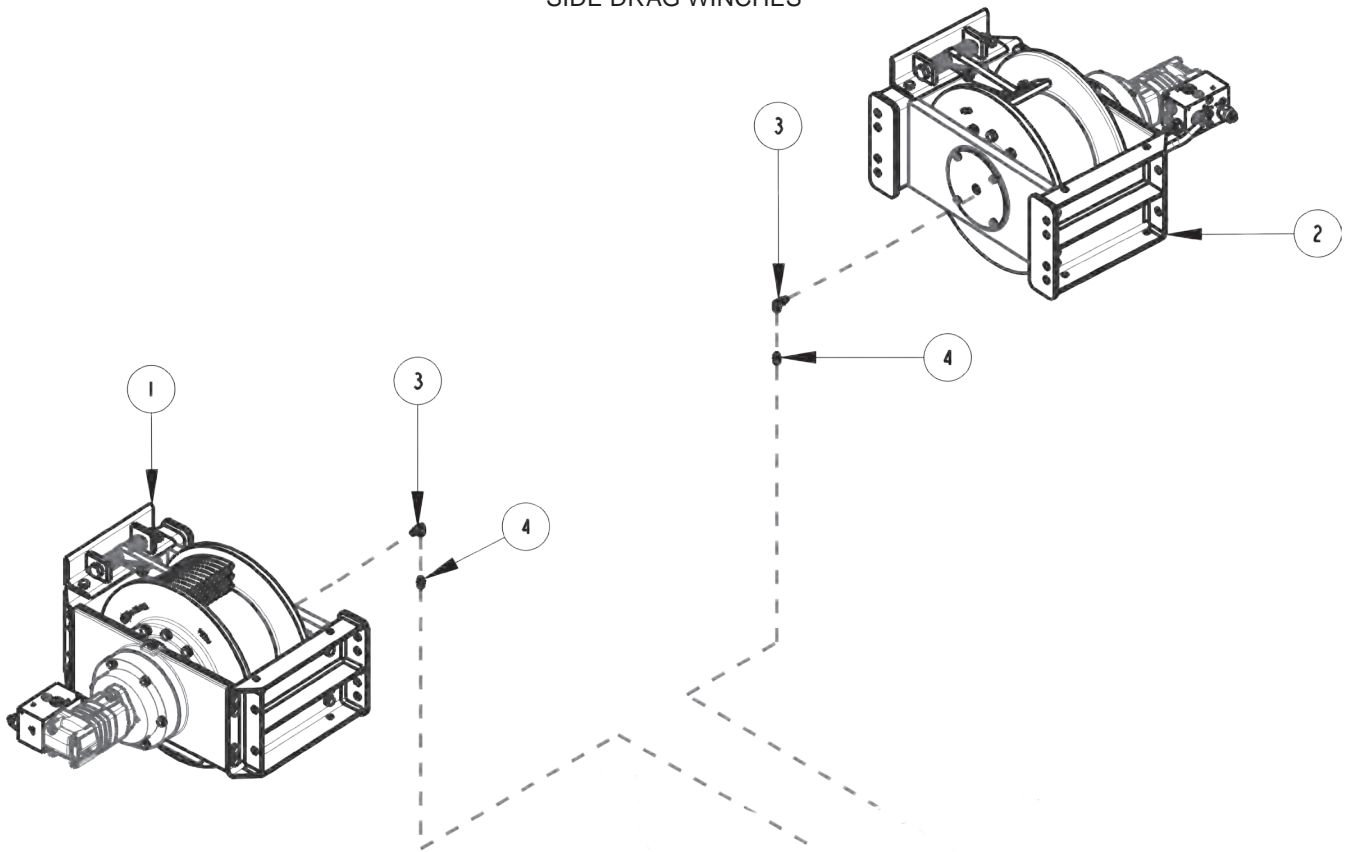
### AIR PLATE ASSEMBLY

ITEM	PART NUMBER	DESCRIPTION	QTY
--	0911552	AIR VALVE PLATE ASSEMBLY 1150 12V	--
1	0301577	1/4 OD PLASTIC AIRLINE, BLACK	5FT
--	0302495	CONVOLUTED LOOM 1/4	5FT
2	0302677	BREATHER VENT 1/8 MP	2
3	0306977	FITTING BRASS PLUG 1/8	5
4	0306978	TERMINAL BLOCK W/SCREW	1
5	0310141	SOLENOID, AIR 12V STK 8 BANK	1
6	0400009	SCREW, 8-32X1-1/2 PRH SS	2
7	0400066	SCREW, 1/4-20X3/4 HHC GR5	6
8	0400070	SCREW, 1/4-20X1 HHC GR5	1
9	0400351	NUT, 8-32 HEX	2
10	0400366	NUT, 1/4-20 HEX	1
11	0400367	NUT, 1/4-20 LOCK	2
12	0400392	NUT, 3/8-16 LOCK	4
13	0400451	WASHER, 1/4	2
14	0400458	LOCKWASHER, 1/4 EXT	1
15	0400480	WASHER, 3/8	4
16	0400687	SCREW, 10-24X3/4 PRH SS	4
17	0400752	NUT, 10-24 LOK EXT	2
18	0400816	WASHER, M10 SS	2
19	0810233	AIR VALVE MTG PLATE WELDMENT 1150	1
20	9010030	FITTING, BRASS ELBOW 1/4T-1/8MPX	1
21	9011071	FITTING, BRASS TEE 1/4T-1/4T-1/4T	1
--	0911804	AIR REGULATOR - GAUGE ASSEMBLY	--
22	0303365	BRACKET, MOUNTING - AIR PREP	1
23	9010520	FITTING-ELBOW 1/4T-1/4NPT	2
24	HA0131	REGULATOR , AIR	1
25	HA0132	GAUGE 0-160 PSI	1
--	0910107	KIT, SWING ALARM	--
26	0300134	CLAMP, 1" HOSE INSULATED	1
--	0302495	CONVOLUTED LOOM 1/4	3FT
27	0310381	ALARM, SWING (ECCO DT500)	1

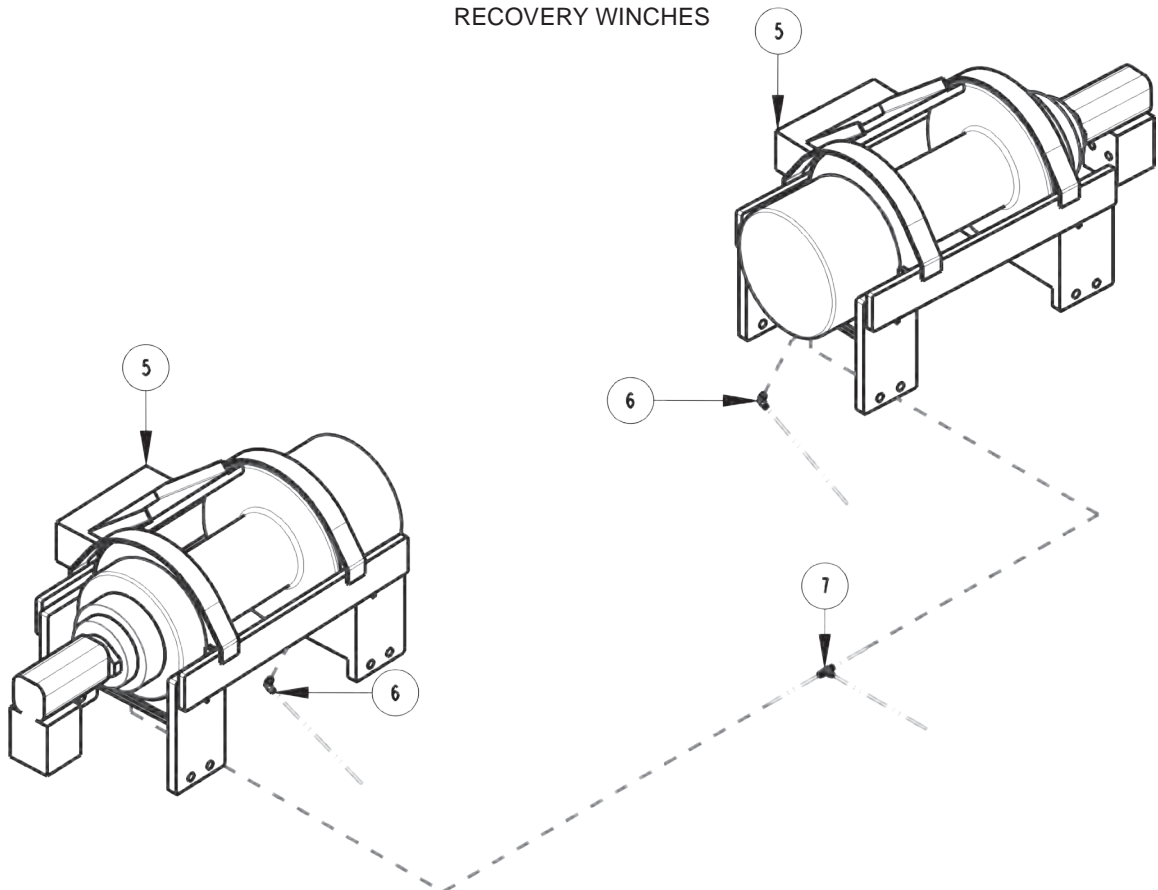
# Section I - PARTS

## PNEUMATIC COMPONENTS

### SIDE DRAG WINCHES



### RECOVERY WINCHES



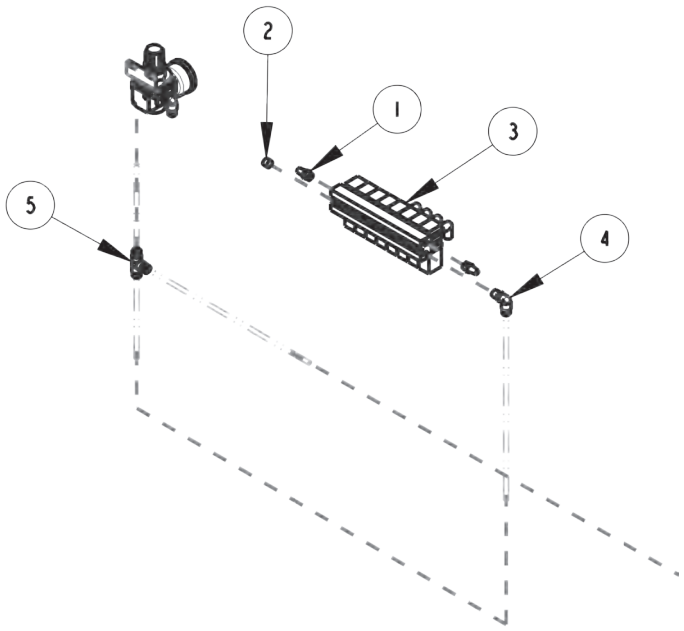
## Section I - PARTS

### PNEUMATIC COMPONENTS

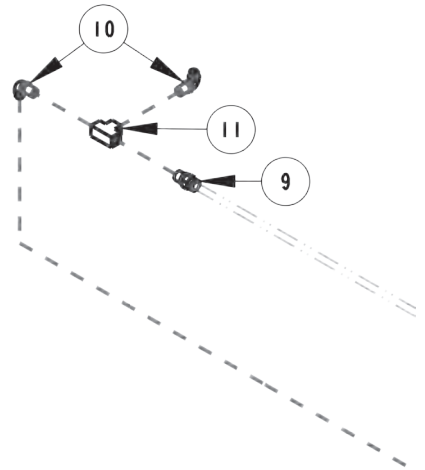
ITEM	PART NUMBER	DESCRIPTION	QTY
--	0910537	22K X2 DRAG WINCH BUA PARTS	--
1	0310679	WINCH,LH DP 22K-MTVR-SIDE MTG	1
2	0310680	WINCH,RH DP 22K-MTVR-SIDE MTG	1
3	0312687	FITTING, 4MB-2FP90	2
4	9010024	FITT, BRASS CONN 1/4T-1/8MP	2
--	0911454	WINCH ASSY 1150	--
5	0303505	WINCH-dp MODEL S50-50K (2)SPD	2
6	9010520	FITTING-ELBOW 1/4T-1/4NPT	2
7	9011071	FITT, BRASS TEE 1/4T-1/4T-1/4T	1

# Section I - PARTS

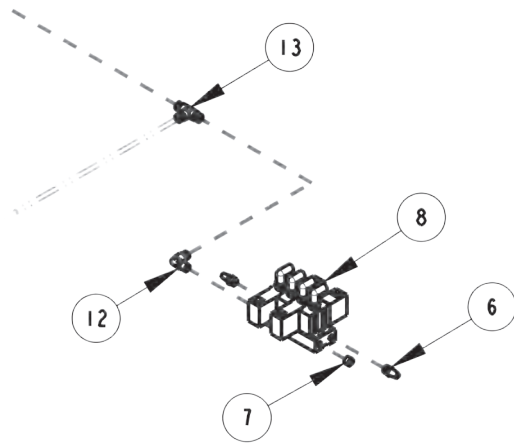
## PNEUMATIC COMPONENTS (cont'd)



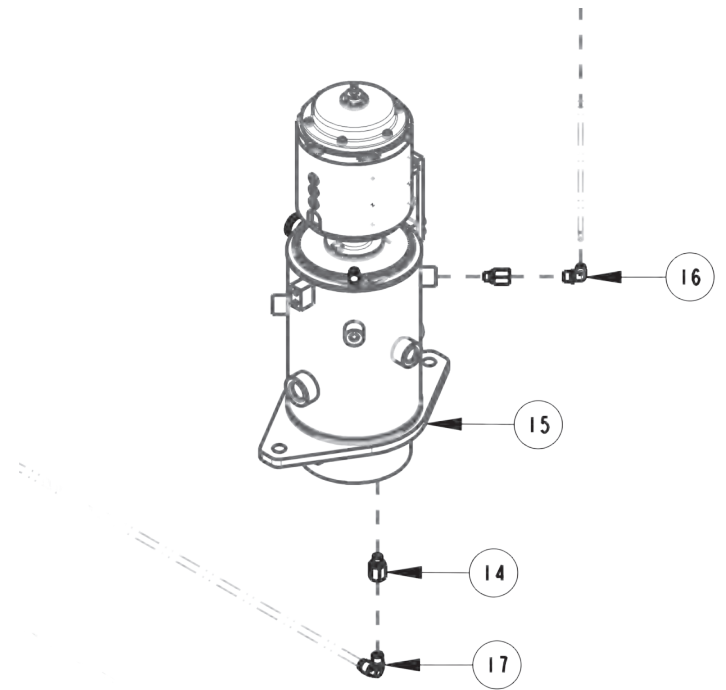
AIR SOLENOID 12VDC 8 - BANK



SUBFRAME AIR COMPONENTS



SUBFRAME AIR COMPONENTS



HYDRAULIC SWIVEL AIR CONNECTIONS

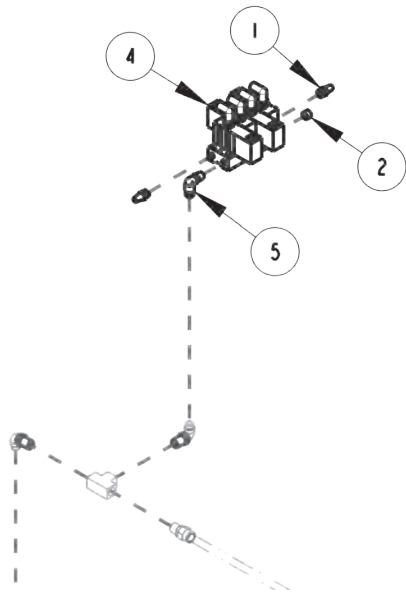
## Section I - PARTS

### PNEUMATIC COMPONENTS (cont'd)

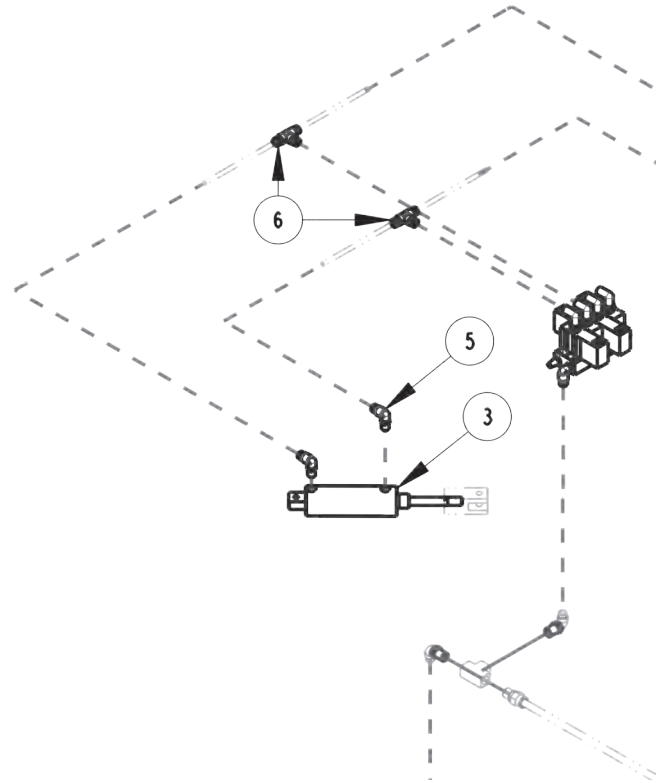
ITEM	PART NUMBER	DESCRIPTION	QTY
--	0911552	AIR VALVE PLATE ASSY 1150 12V	--
1	0302677	BREATHER VENT 1/8 MP	2
2	0306977	FITTING BRASS PLUG 1/8	5
3	0310141	SOLENOID, AIR 12V STK 8 BANK	1
4	9010030	FITT, BRASS ELBOW 1/4T-1/8MPX	1
5	9011071	FITT, BRASS TEE 1/4T-1/4T-1/4T	1
--	0911599	SUBFRAME ASSEMBLY--	
6	0302677	BREATHER VENT 1/8 MP	2
7	0306977	FITTING BRASS PLUG 1/8	5
8	0310192	AIR SOL STK 12VDC 4 BANK	1
9	0310575	FITTING STR -1/4NPT X 3/8 TUBE	1
10	0311575	1/4x1/4 PTC SWIVEL MALE ELBOW	2
11	0312612	FITTING - TEE - 1/4 FPT BRASS	1
12	9010030	FITT, BRASS ELBOW 1/4T-1/8MPX	1
13	9011071	FITT, BRASS TEE 1/4T-1/4T-1/4T	2
--	0911567	SWIVEL HYDRAULIC ROTARY	--
14	0310132	FITTING, HYD 4MB-4FP	2
15	0311781	HYDRAULIC SWIVEL	1
16	9010520	FITTING-ELBOW 1/4T-1/4NPT	1
17	9012584	ELBOW-1/4NPT X 3/8TUBE 9	1

# Section I - PARTS

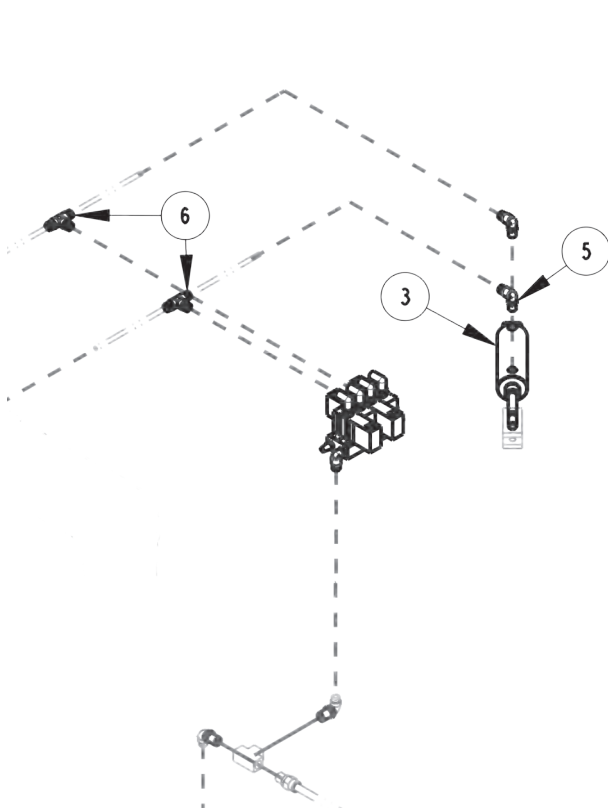
## PNEUMATIC COMPONENTS (cont'd)



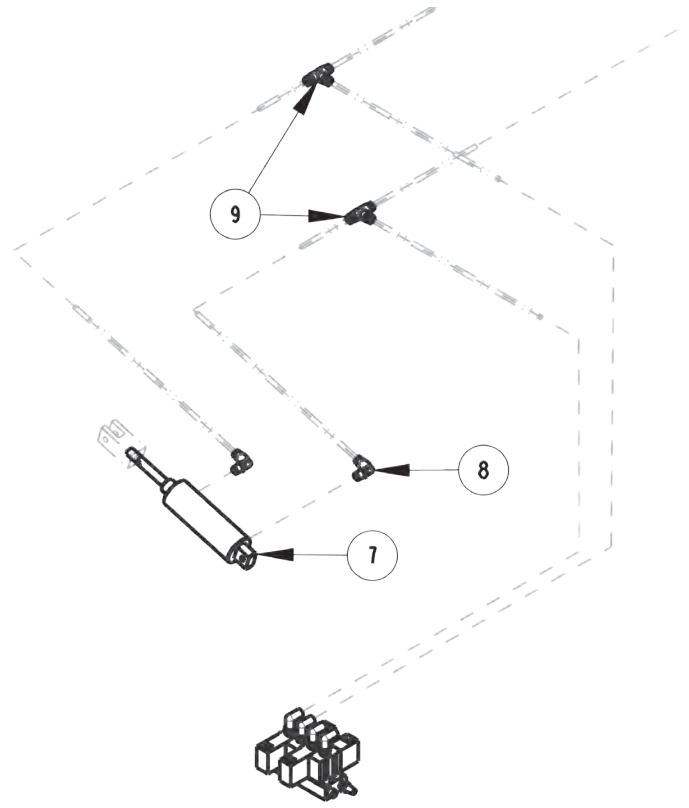
TRAVEL BASE AIR COMPONENTS



TRAVEL BASE AIR COMPONENTS



TRAVEL BASE AIR COMPONENTS



TRAVEL LOCK AIR COMPONENTS



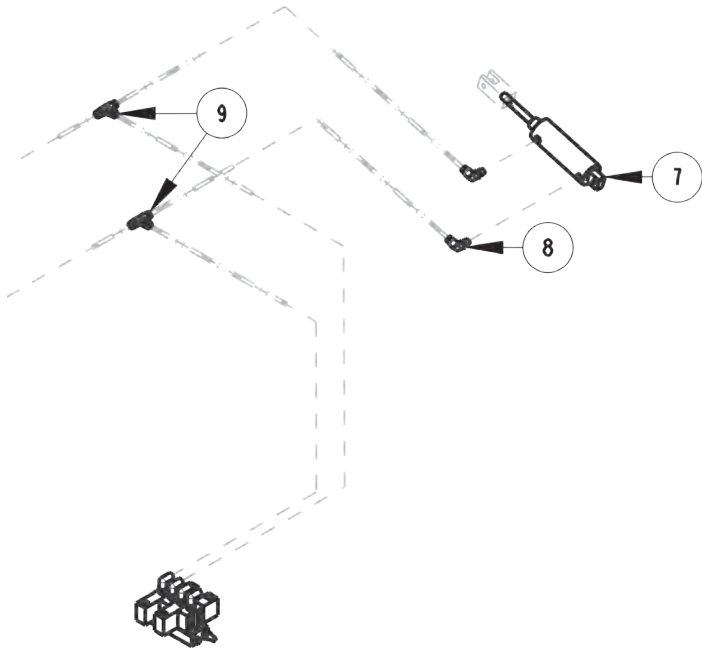
## Section I - PARTS

### PNEUMATIC COMPONENTS (cont'd)

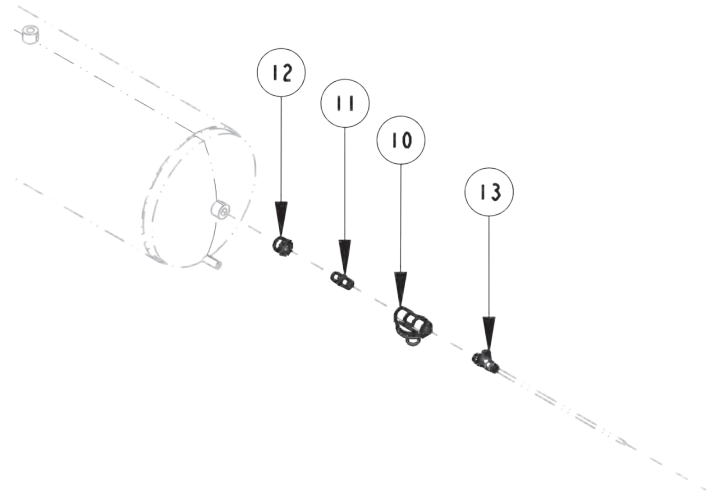
ITEM	PART NUMBER	DESCRIPTION	QTY
--	0911563	TRAVEL BASE SUB-ASSEMBLY	--
1	0302677	BREATHER VENT 1/8 MP	2
2	0306977	FITTING BRASS PLUG 1/8	5
3	0306698	AIR CYLINDER-1.5BORE/1.71STROK	2
4	0310192	AIR SOL STK 12VDC 4 BANK	1
5	9010030	FITT, BRASS ELBOW 1/4T-1/8MPX	5
6	9011071	FITT, BRASS TEE 1/4T-1/4T-1/4T	2
--	0911565	TRAVEL LOCK ASSEMBLY	--
7	0306698	AIR CYLINDER-1.5BORE/1.71STROK	2
8	9010030	FITT, BRASS ELBOW 1/4T-1/8MPX	4
9	9011071	FITT, BRASS TEE 1/4T-1/4T-1/4T	2
--	0911573	SHIP KIT 1150XLT SDU/4	--
10	0301621	PRESSURE PROTECTION VLV.	1
11	0302123	HEX NIPPLE 4MP-4MP	1
12	0302125	PIPE, BUSHING 1/2MPT X 1/4FPT	1
13	0306983	FITT-MALE RUNTEE 1/4T-1/4NPT	1
--	0911804	AIR REGULATOR - GAUGE ASSEMBLY	--
14	0303365	BRACKET, MOUNTING - AIR PREP	1
15	9010520	FITTING-ELBOW 1/4T-1/4NPT	2
16	HA0131	REGULATOR , AIR	1
17	HA0132	GAUGE 0-160 PSI	1
--	0911812	WATER SEPARATOR KIT	--
18	0311755	WATER SEPARATOR-MONNIER	1
19	9010520	FITTING-ELBOW 1/4T-1/4NPT	2

# Section I - PARTS

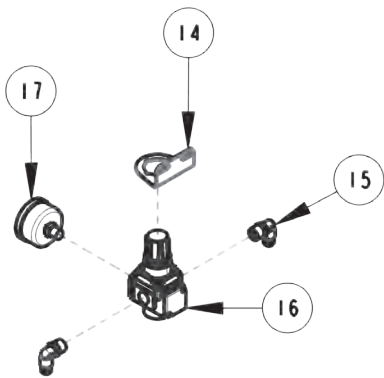
## PNEUMATIC COMPONENTS (cont'd)



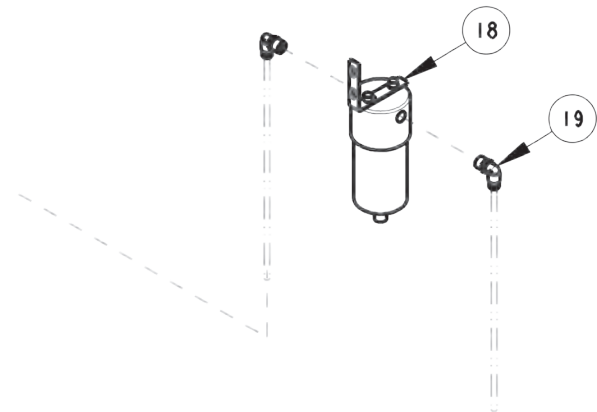
TRAVEL LOCK AIR COMPONENTS



TRUCK AIR CONNECTIONS



AIR REGULATOR WITH GAUGE



WATER SEPARATOR

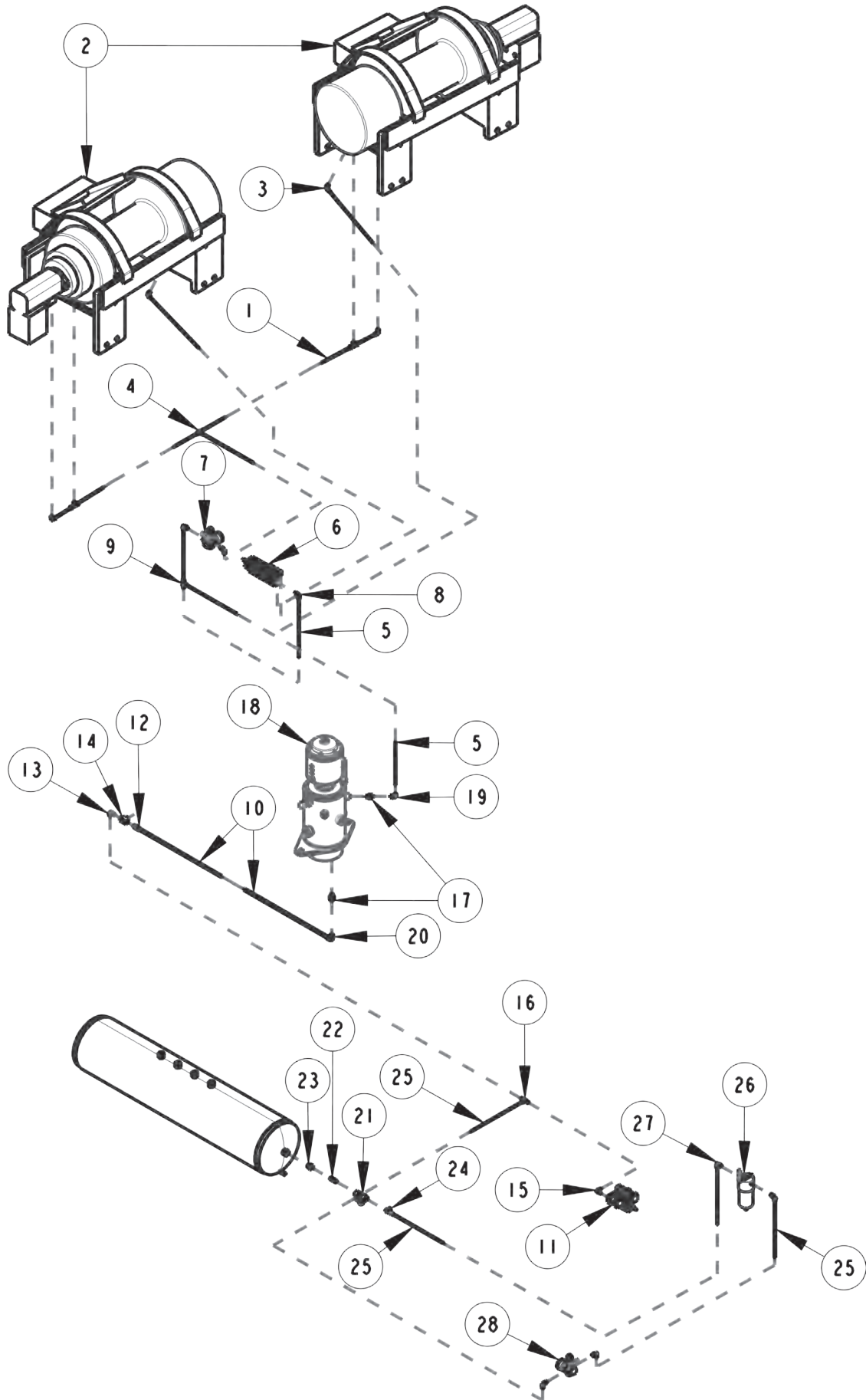
## Section I - PARTS

### PNEUMATIC COMPONENTS (cont'd)

ITEM	PART NUMBER	DESCRIPTION	QTY
--	0911563	TRAVEL BASE SUB-ASSEMBLY	--
1	0302677	BREATHER VENT 1/8 MP	2
2	0306977	FITTING BRASS PLUG 1/8	5
3	0306698	AIR CYLINDER-1.5BORE/1.71STROK	2
4	0310192	AIR SOL STK 12VDC 4 BANK	1
5	9010030	FITT, BRASS ELBOW 1/4T-1/8MPX	5
6	9011071	FITT, BRASS TEE 1/4T-1/4T-1/4T	2
--	0911565	TRAVEL LOCK ASSEMBLY	--
7	0306698	AIR CYLINDER-1.5BORE/1.71STROK	2
8	9010030	FITT, BRASS ELBOW 1/4T-1/8MPX	4
9	9011071	FITT, BRASS TEE 1/4T-1/4T-1/4T	2
--	0911573	SHIP KIT 1150XLT SDU/4	--
10	0301621	PRESSURE PROTECTION VLV.	1
11	0302123	HEX NIPPLE 4MP-4MP	1
12	0302125	PIPE, BUSHING 1/2MPT X 1/4FPT	1
13	0306983	FITT-MALE RUNTEE 1/4T-1/4NPT	1
--	0911804	AIR REGULATOR - GAUGE ASSEMBLY	--
14	0303365	BRACKET, MOUNTING - AIR PREP	1
15	9010520	FITTING-ELBOW 1/4T-1/4NPT	2
16	HA0131	REGULATOR , AIR	1
17	HA0132	GAUGE 0-160 PSI	1
--	0911812	WATER SEPARATOR KIT	--
18	0311755	WATER SEPARATOR-MONNIER	1
19	9010520	FITTING-ELBOW 1/4T-1/4NPT	2

# Section I - PARTS

## RECOVERY WINCH PNEUMATICS



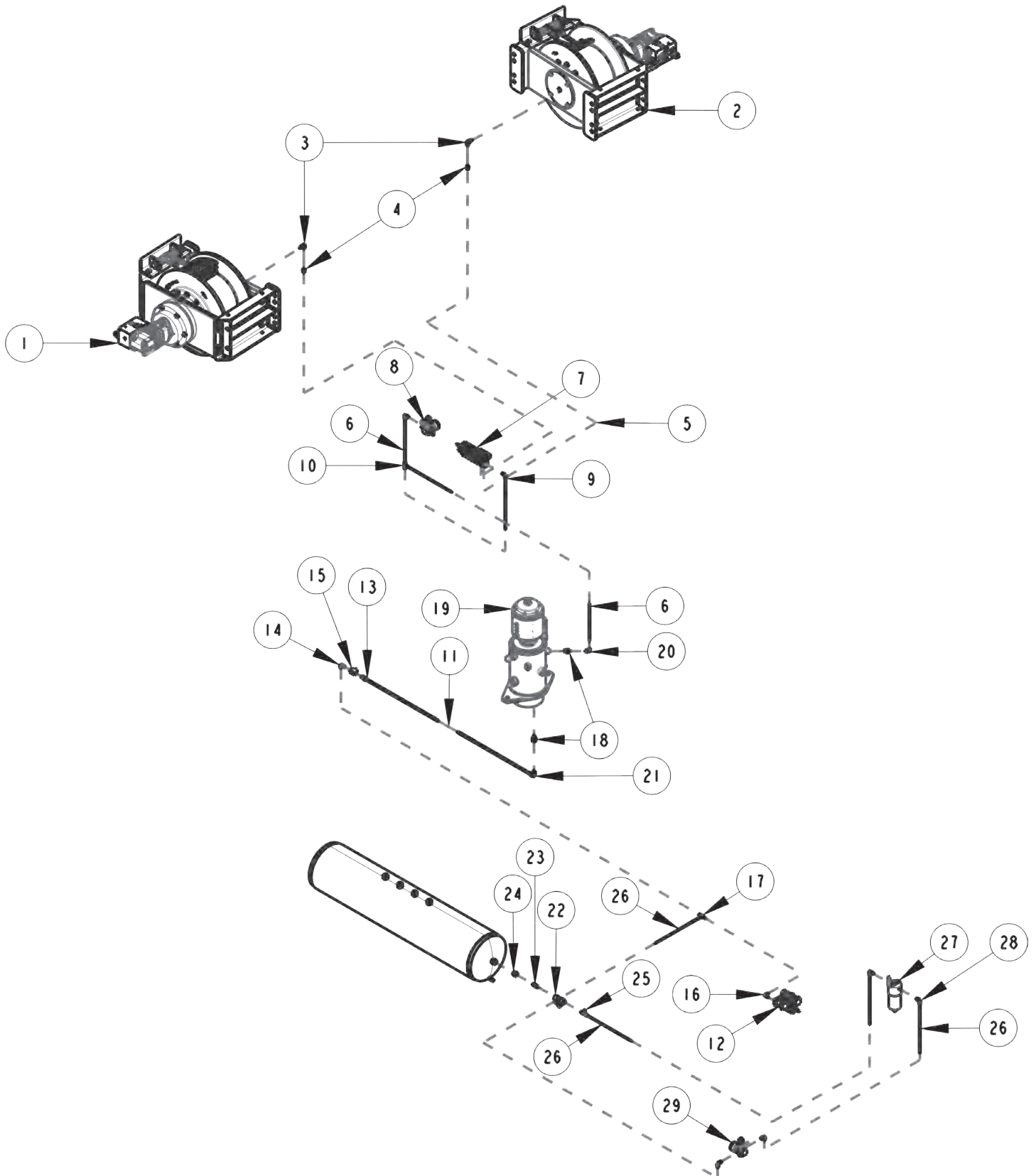
## Section I - PARTS

### RECOVERY WINCH PNEUMATICS

ITEM	PART NUMBER	DESCRIPTION	QTY
--	0911454	WINCH ASSY 1150	--
1	0301577	1/4 OD PLASTIC AIRLINE, BLACK	35FT
--	0302495	CONVOLUTED LOOM 1/4	35FT
2	0303505	WINCH-dp MODEL S50-50K (2)SPD	2
3	9010520	FITTING-ELBOW 1/4T-1/4NPT	2
4	9011071	FITT, BRASS TEE 1/4T-1/4T-1/4T	1
--	0911552	AIR VALVE PLATE ASSY 1150 12V	--
5	0301577	1/4 OD PLASTIC AIRLINE, BLACK	5FT
--	0302495	CONVOLUTED LOOM 1/4	5FT
6	0310141	SOLENOID, AIR 12V STK 8 BANK	1
7	0911804	AIR REGULATOR - GAUGE ASSEMBLY	1
8	9010030	FITT, BRASS ELBOW 1/4T-1/8MPX	1
9	9011071	FITT, BRASS TEE 1/4T-1/4T-1/4T	1
--	0911599	SUBFRAME ASSEMBLY--	
10	0301949	3/8" OD AIRLINE, SYNDFLEX HOSE	5FT
--	0302495	CONVOLUTED LOOM 1/4	5FT
11	0310192	AIR SOL STK 12VDC 4 BANK	1
12	0310575	FITTING STR -1/4NPT X 3/8 TUBE	1
13	0311575	1/4x1/4 PTC SWIVEL MALE ELBOW	2
14	0312612	FITTING - TEE - 1/4 FPT BRASS	1
15	9010030	FITT, BRASS ELBOW 1/4T-1/8MPX	1
16	9011071	FITT, BRASS TEE 1/4T-1/4T-1/4T	2
--	0911567	SWIVEL HYDRAULIC ROTARY	--
17	0310132	FITTING, HYD 4MB-4FP	2
18	0311781	HYDRAULIC SWIVEL	1
19	9010520	FITTING-ELBOW 1/4T-1/4NPT	1
20	9012584	ELBOW-1/4NPT X 3/8TUBE 9	1
--	0911573	SHIP KIT 1150XLT SDU/4	--
21	0301621	PRESSURE PROTECTION VLV.	1
22	0302123	HEX NIPPLE 4MP-4MP	1
23	0302125	PIPE, BUSHING 1/2MPT X 1/4FPT	1
24	0306983	FITT-MALE RUNTEE 1/4T-1/4NPT	1
--	0911812	WATER SEPARATOR KIT	--
25	0301577	1/4 OD PLASTIC AIRLINE, BLACK	5FT
--	0302495	CONVOLUTED LOOM 1/4	5FT
26	0311755	WATER SEPARATOR-MONNIER	1
27	9010520	FITTING-ELBOW 1/4T-1/4NPT	2
28	0911804	AIR REGULATOR - GAUGE ASSEMBLY	2

# Section I - PARTS

## SIDE DRAG WINCH PNEUMATICS



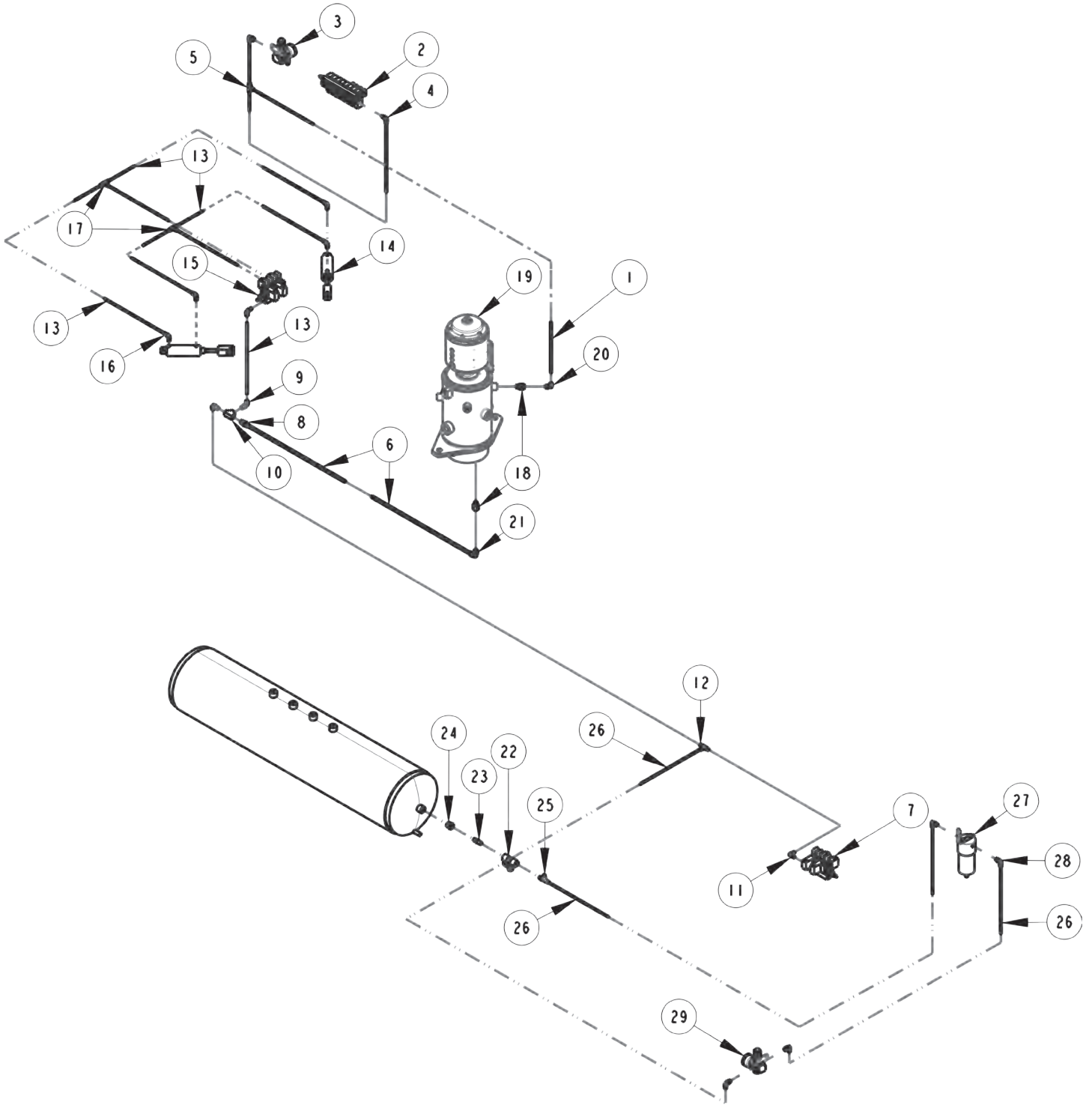
## Section I - PARTS

### SIDE DRAG WINCH PNEUMATICS

ITEM	PART NUMBER	DESCRIPTION	QTY
--	0910537	22K X2 DRAG WINCH BUA PARTS	--
1	0310679	WINCH,LH DP 22K-MTVR-SIDE MTG	1
2	0310680	WINCH,RH DP 22K-MTVR-SIDE MTG	1
3	0312687	FITTING, 4MB-2FP90	2
4	9010024	FITT, BRASS CONN 1/4T-1/8MP	2
--	0911454	WINCH ASSY 1150	--
5	0301577	1/4 OD PLASTIC AIRLINE, BLACK	35FT
--	0302495	CONVOLUTED LOOM 1/4	35FT
--	0911552	AIR VALVE PLATE ASSY 1150 12V	--
6	0301577	1/4 OD PLASTIC AIRLINE, BLACK	5FT
--	0302495	CONVOLUTED LOOM 1/4	5FT
7	0310141	SOLENOID, AIR 12V STK 8 BANK	1
8	0911804	AIR REGULATOR - GAUGE ASSEMBLY	1
9	9010030	FITT, BRASS ELBOW 1/4T-1/8MPX	1
10	9011071	FITT, BRASS TEE 1/4T-1/4T-1/4T	1
--	0911599	SUBFRAME ASSEMBLY--	
11	0301949	3/8" OD AIRLINE,SYNFLEX HOSE	5FT
--	0302495	CONVOLUTED LOOM 1/4	5FT
12	0310192	AIR SOL STK 12VDC 4 BANK	1
13	0310575	FITTING STR -1/4NPT X 3/8 TUBE	1
14	0311575	1/4x1/4 PTC SWIVEL MALE ELBOW	2
15	0312612	FITTING - TEE - 1/4 FPT BRASS	1
16	9010030	FITT, BRASS ELBOW 1/4T-1/8MPX	1
17	9011071	FITT, BRASS TEE 1/4T-1/4T-1/4T	2
--	0911567	SWIVEL HYDRAULIC ROTARY	--
18	0310132	FITTING, HYD 4MB-4FP	2
19	0311781	HYDRAULIC SWIVEL	1
20	9010520	FITTING-ELBOW 1/4T-1/4NPT	1
21	9012584	ELBOW-1/4NPT X 3/8TUBE 9	1
--	0911573	SHIP KIT 1150XLT SDU/4	--
22	0301621	PRESSURE PROTECTION VLV.	1
23	0302123	HEX NIPPLE 4MP-4MP	1
24	0302125	PIPE, BUSHING 1/2MPT X 1/4FPT	1
25	0306983	FITT-MALE RUNTEE 1/4T-1/4NPT	1
--	0911812	WATER SEPARATOR KIT	--
26	0301577	1/4 OD PLASTIC AIRLINE, BLACK	5FT
--	0302495	CONVOLUTED LOOM 1/4	5FT
27	0311755	WATER SEPARATOR-MONNIER	1
28	9010520	FITTING-ELBOW 1/4T-1/4NPT	2
29	0911804	AIR REGULATOR - GAUGE ASSEMBLY	2

# Section I - PARTS

## TRAVEL BASE SUB-ASSEMBLY PNEUMATICS





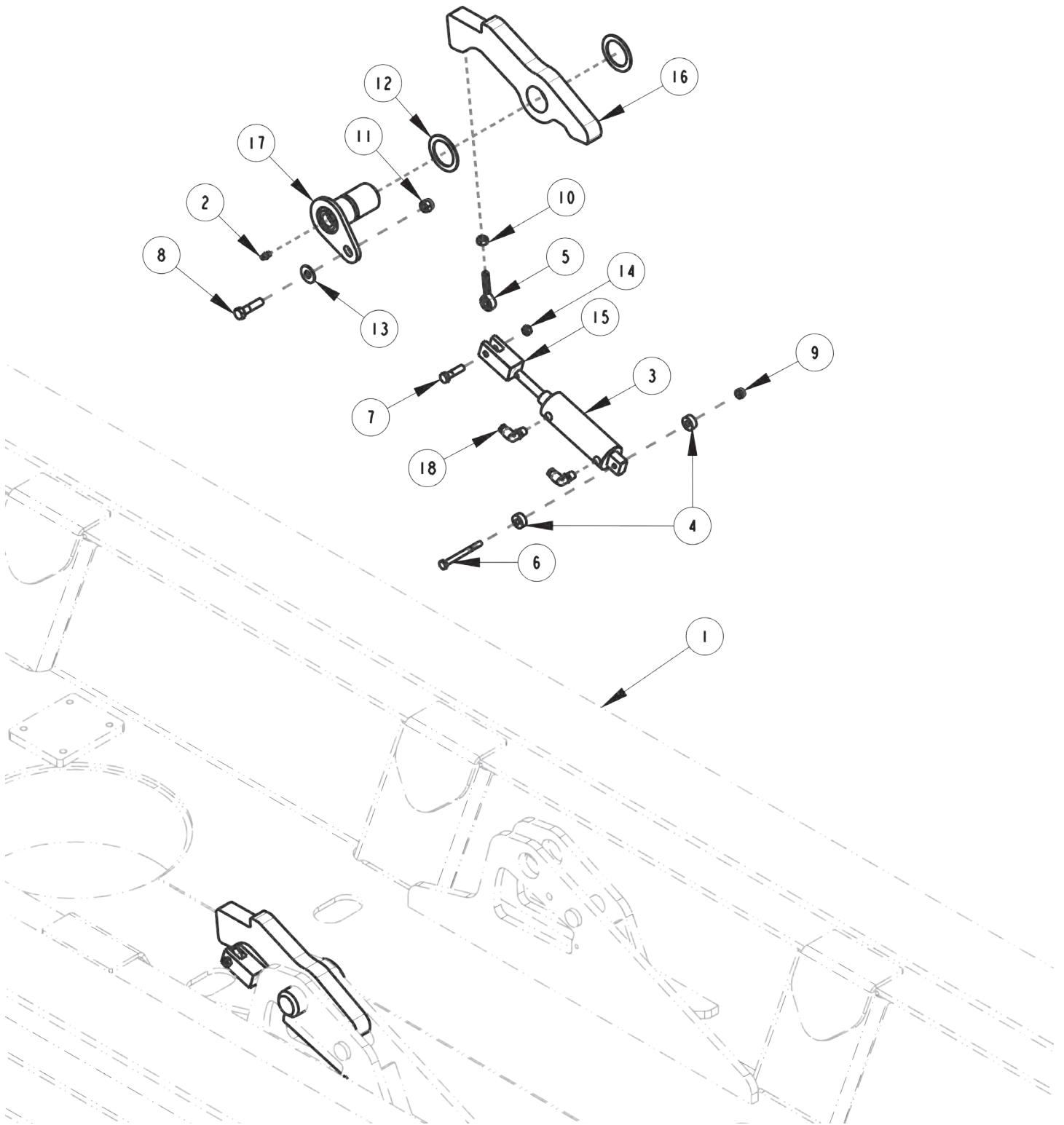
## Section I - PARTS

### TRAVEL BASE SUB-ASSEMBLY PNEUMATICS

ITEM	PART NUMBER	DESCRIPTION	QTY
--	0911552	AIR VALVE PLATE ASSY 1150 12V	--
1	0301577	1/4 OD PLASTIC AIRLINE, BLACK	5FT
--	0302495	CONVOLUTED LOOM 1/4	5FT
2	0310141	SOLENOID, AIR 12V STK 8 BANK	1
3	0911804	AIR REGULATOR - GAUGE ASSEMBLY	1
4	9010030	FITT, BRASS ELBOW 1/4T-1/8MPX	1
5	9011071	FITT, BRASS TEE 1/4T-1/4T-1/4T	1
--	0911599	SUBFRAME ASSEMBLY	--
6	0301949	3/8" OD AIRLINE, SYNDFLEX HOSE	5FT
--	0302495	CONVOLUTED LOOM 1/4	5FT
7	0310192	AIR SOL STK 12VDC 4 BANK	1
8	0310575	FITTING STR -1/4NPT X 3/8 TUBE	1
9	0311575	1/4x1/4 PTC SWIVEL MALE ELBOW	2
10	0312612	FITTING - TEE - 1/4 FPT BRASS	1
11	9010030	FITT, BRASS ELBOW 1/4T-1/8MPX	1
12	9011071	FITT, BRASS TEE 1/4T-1/4T-1/4T	2
--	0911563	TRAVEL BASE SUB-ASSEMBLY	--
13	0301577	1/4 OD PLASTIC AIRLINE, BLACK	5FT
--	0302495	CONVOLUTED LOOM 1/4	5FT
14	0306698	AIR CYLINDER-1.5BORE/1.71STROK	2
15	0310192	AIR SOL STK 12VDC 4 BANK	1
16	9010030	FITT, BRASS ELBOW 1/4T-1/8MPX	5
17	9011071	FITT, BRASS TEE 1/4T-1/4T-1/4T	2
--	0911567	SWIVEL HYDRAULIC ROTARY	--
18	0310132	FITTING, HYD 4MB-4FP	2
19	0311781	HYDRAULIC SWIVEL	1
20	9010520	FITTING-ELBOW 1/4T-1/4NPT	1
21	9012584	ELBOW-1/4NPT X 3/8TUBE 9	1
--	0911573	SHIP KIT 1150XLT SDU/4	--
22	0301621	PRESSURE PROTECTION VLV.	1
23	0302123	HEX NIPPLE 4MP-4MP	1
24	0302125	PIPE, BUSHING 1/2MPT X 1/4FPT	1
25	0306983	FITT-MALE RUNTEE 1/4T-1/4NPT	1
--	0911812	WATER SEPARATOR KIT	--
26	0301577	1/4 OD PLASTIC AIRLINE, BLACK	5FT
--	0302495	CONVOLUTED LOOM 1/4	5FT
27	0311755	WATER SEPARATOR-MONNIER	1
28	9010520	FITTING-ELBOW 1/4T-1/4NPT	2
29	0911804	AIR REGULATOR - GAUGE ASSEMBLY	2

Section I - PARTS

TRAVEL LOCK ASSEMBLY



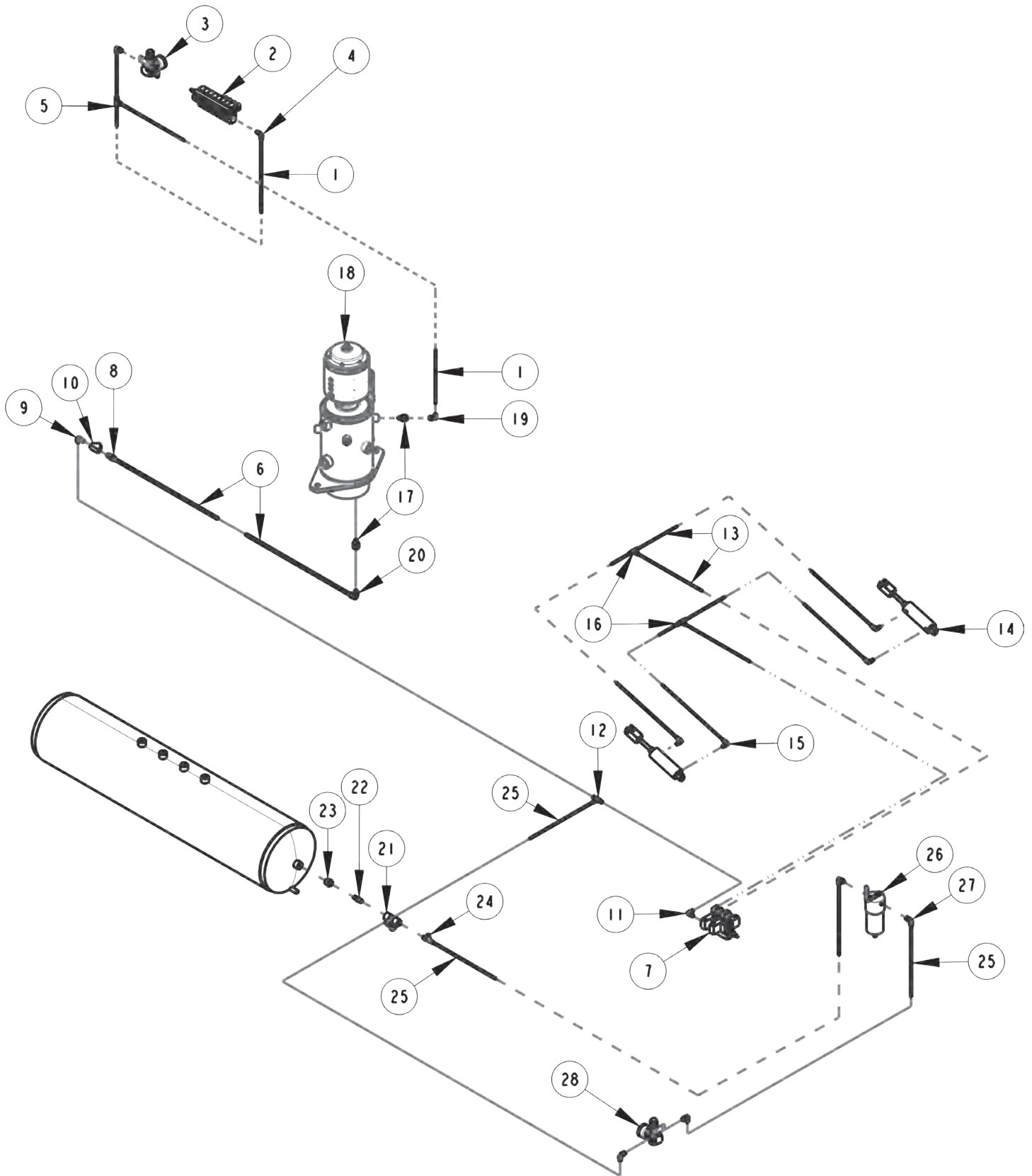
## Section I - PARTS

### TRAVEL LOCK ASSEMBLY

ITEM	PART NUMBER	DESCRIPTION	QTY
--	0911599	SUBFRAME ASSEMBLY	--
1	0810295	SUBFRAME WELDMENT 1150XLT DUAL	1
--	0911565	TRAVEL LOCK ASSEMBLY	--
2	0300113	GREASE FITTING, 1/4-28 STR	2
3	0306698	AIR CYLINDER-1.5BORE/1.71STROK	2
4	0307612	NYLON SPACER,5/16 THK X 5/16ID	4
5	0311869	MALE ROD END 5/16 BORE	2
6	0400073	SCREW, 1/4-20X2-3/4 HHC GR5	2
7	0400103	SCREW, 5/16-18X1-1/4 HHC GR5	2
8	0400132	SCREW, 3/8-16X1-1/2 HHC GR5	2
9	0400367	NUT, 1/4-20 LOK	2
10	0400383	NUT, 5/16-24 HEX	2
11	0400392	NUT, 3/8-16 LOK	2
12	0400478	WASHER, 1-1/2X0.062 SHIM	4
13	0400480	WASHER, 3/8	2
14	0400776	NUT, 5/16-18 JAM LOK	2
15	0725580	BLOCK CLEVIS	2
16	0726475	PLATE-TRAVEL LOCK	2
17	0810249	HOUSE LOCK PIVOT PIN WELDMENT	2
18	9010030	FITT, BRASS ELBOW 1/4T-1/8MPX	4

# Section I - PARTS

## TRAVEL LOCK PNEUMATICS



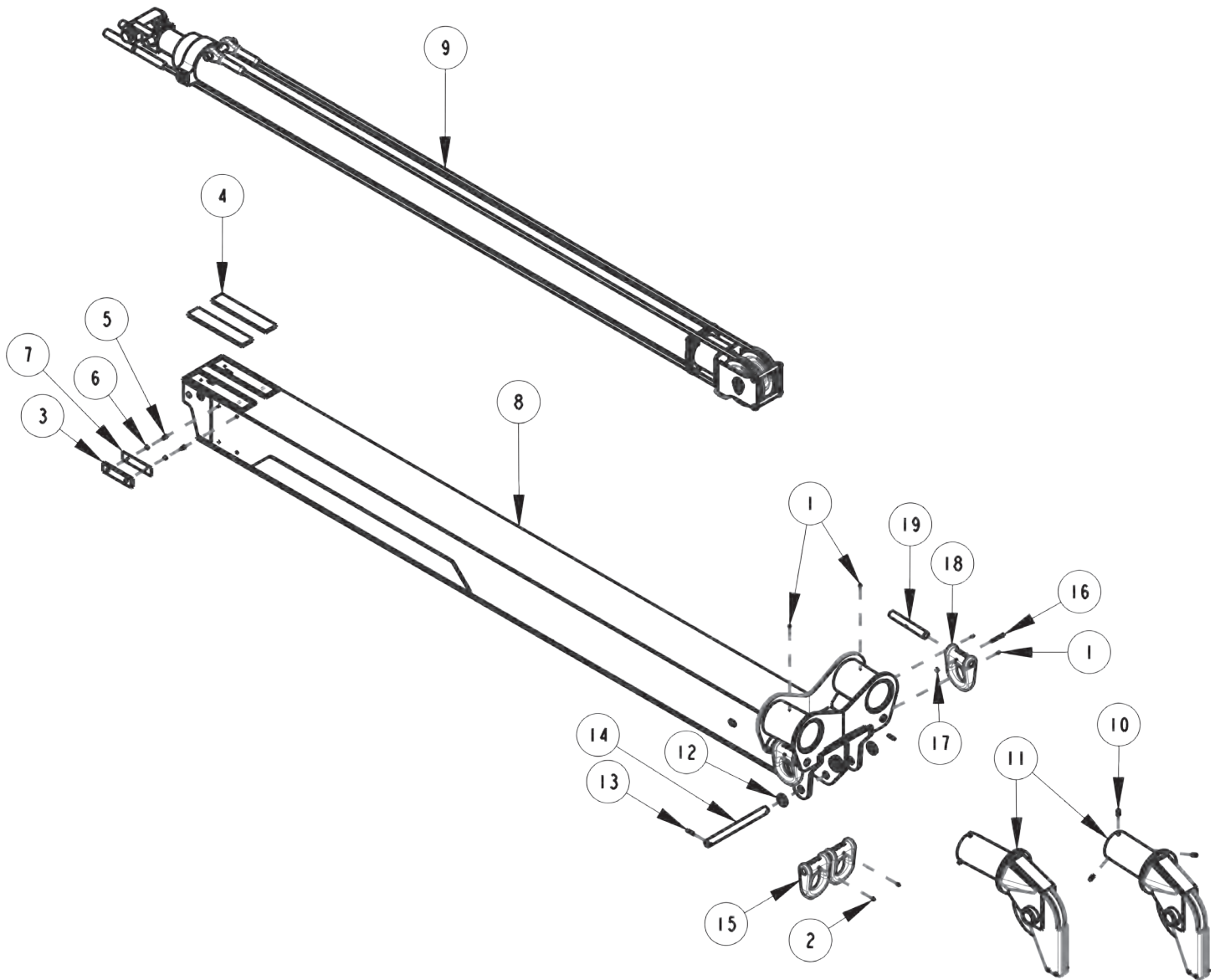
## Section I - PARTS

### TRAVEL LOCK PNEUMATICS

ITEM	PART NUMBER	DESCRIPTION	QTY
--	0911552	AIR VALVE PLATE ASSY 1150 12V	--
1	0301577	1/4 OD PLASTIC AIRLINE, BLACK	5FT
--	0302495	CONVOLUTED LOOM 1/4	5FT
2	0310141	SOLENOID, AIR 12V STK 8 BANK	1
3	0911804	AIR REGULATOR - GAUGE ASSEMBLY	1
4	9010030	FITT, BRASS ELBOW 1/4T-1/8MPX	1
5	9011071	FITT, BRASS TEE 1/4T-1/4T-1/4T	1
--	0911599	SUBFRAME ASSEMBLY	--
6	0301949	3/8" OD AIRLINE, SYNDFLEX HOSE	5FT
--	0302495	CONVOLUTED LOOM 1/4	5FT
7	0310192	AIR SOL STK 12VDC 4 BANK	1
8	0310575	FITTING STR -1/4NPT X 3/8 TUBE	1
9	0311575	1/4x1/4 PTC SWIVEL MALE ELBOW	2
10	0312612	FITTING - TEE - 1/4 FPT BRASS	1
11	9010030	FITT, BRASS ELBOW 1/4T-1/8MPX	1
12	9011071	FITT, BRASS TEE 1/4T-1/4T-1/4T	2
--	0911565	TRAVEL LOCK ASSEMBLY	--
13	0301577	1/4 OD PLASTIC AIRLINE, BLACK	5FT
--	0302495	CONVOLUTED LOOM 1/4	5FT
14	0306698	AIR CYLINDER-1.5BORE/1.71STROK	2
15	9010030	FITT, BRASS ELBOW 1/4T-1/8MPX	4
16	9011071	FITT, BRASS TEE 1/4T-1/4T-1/4T	2
--	0911567	SWIVEL HYDRAULIC ROTARY	--
17	0310132	FITTING, HYD 4MB-4FP	2
18	0311781	HYDRAULIC SWIVEL	1
19	9010520	FITTING-ELBOW 1/4T-1/4NPT	1
20	9012584	ELBOW-1/4NPT X 3/8TUBE 9	1
--	0911573	SHIP KIT 1150XLT SDU/4	--
21	0301621	PRESSURE PROTECTION VLV.	1
22	0302123	HEX NIPPLE 4MP-4MP	1
23	0302125	PIPE, BUSHING 1/2MPT X 1/4FPT	1
24	0306983	FITT-MALE RUNTEE 1/4T-1/4NPT	1
--	0911812	WATER SEPARATOR KIT	--
25	0301577	1/4 OD PLASTIC AIRLINE, BLACK	5FT
--	0302495	CONVOLUTED LOOM 1/4	5FT
26	0311755	WATER SEPARATOR-MONNIER	1
27	9010520	FITTING-ELBOW 1/4T-1/4NPT	2
28	0911804	AIR REGULATOR - GAUGE ASSEMBLY	2

# Section I - PARTS

## 3 - STAGE BOOM ASSEMBLY - INNER STAGE



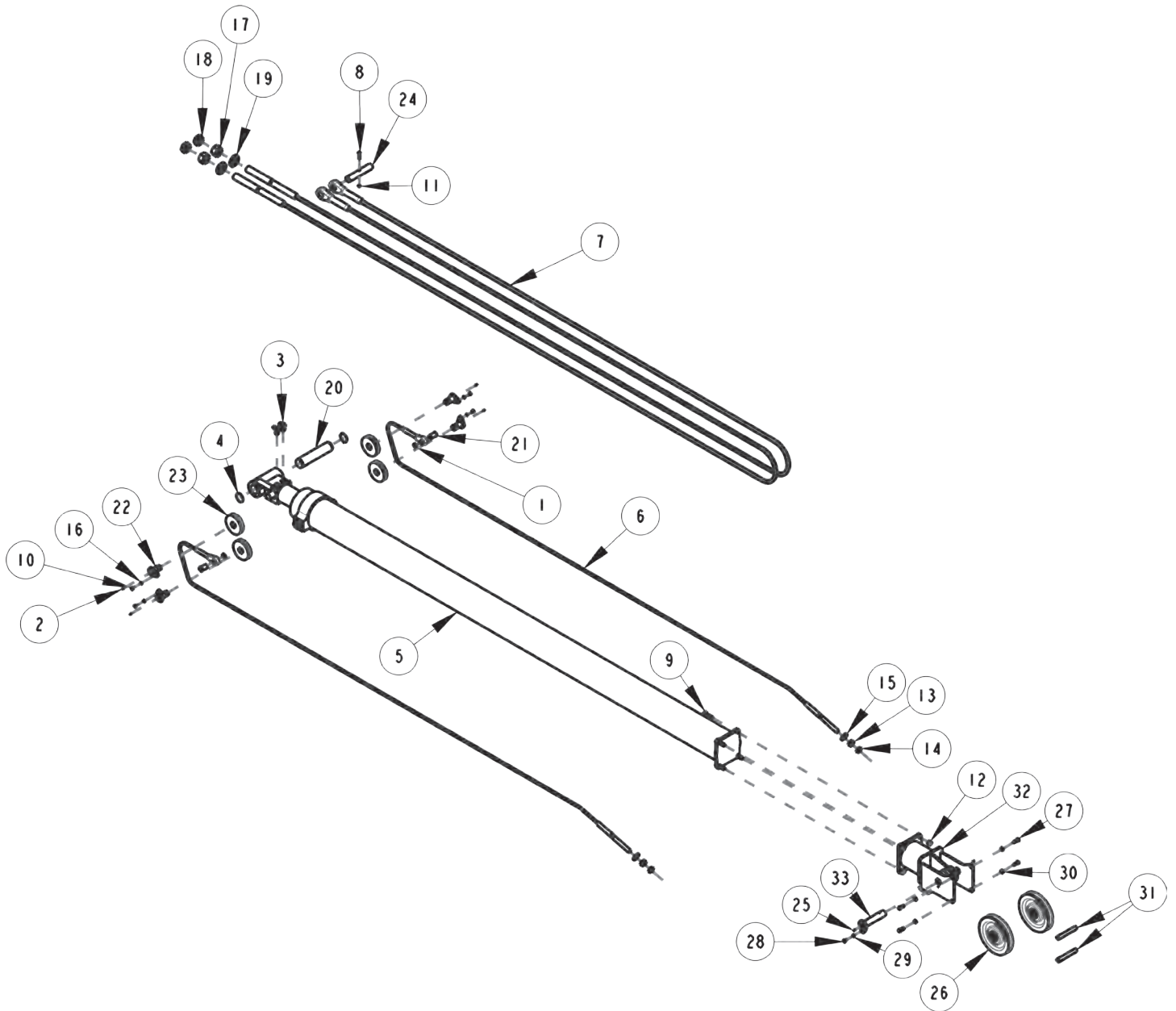
## Section I - PARTS

### 3 - STAGE BOOM ASSEMBLY - INNER STAGE

ITEM	PART NUMBER	DESCRIPTION	QTY
--	0911927	BOOM ASSEMBLY 1150R	--
1	0300113	GREASE FITTING, 1/4-28 STR	10
2	0301895	GREASE FITTING, 1/8 STR PTF	6
3	0303892	SLIDE PAD-BOOM-SIDE	8
4	03004324	INNER BOOM SLIDE PAD	4
5	0400121	SCREW, 3/8-16X3/4 HHC GR5	12
6	0400482	LOCKWASHER 3/8	30
7	0703734	SHIM, SIDE PLATE OUTER BOOM	18
8	0810169	THIRD STAGE BOOM WELDMENT 1150	1
9	0911450	EXTEND SYSTEM	1
--	0906536	KIT-BOOM SWIVEL	--
10	0400557	PIN, 1/2 X 1-1/4 SPR ZP	6
11	0906537	SWIVEL - BOOM ASSEMBLY	2
--	0911453	DRING KIT	--
12	0400501	WASHER, 1-1/4 SAE PL	4
13	0400564	PIN, 3/8X1-3/4 SPR	4
14	0710638	PIN, D-RING	2
15	0719585	D-RING, TOWING	4
--	0910707	SIDE D-RING PARTS 1060S/1075S	--
16	0400107	SCREW, 5/16-18X2-1/2 HHC GR5	2
17	0400776	NUT, 5/16-18 JAM LOCK	2
18	0719585	D-RING, TOWING	2
19	0722325	PIN - D-RING	2

# Section I - PARTS

## 3-STAGE EXTENSION SYSTEM ASSEMBLY





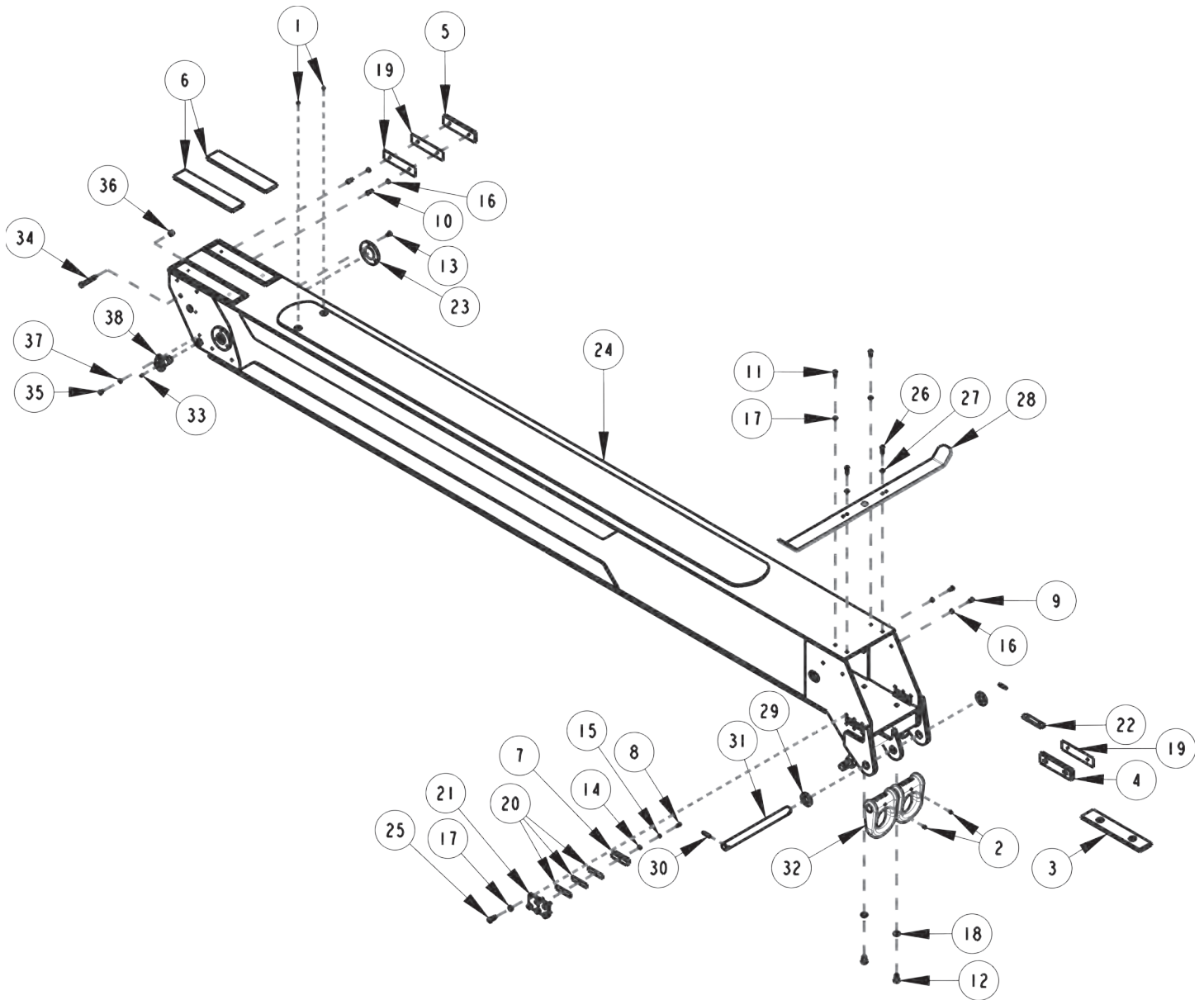
## Section I - PARTS

### 3-STAGE EXTENSION SYSTEM ASSEMBLY

ITEM	PART NUMBER	DESCRIPTION	QTY
--	0911450	EXTEND SYSTEM	--
1	0300110	SNAP RING, 1" 5100-100	2
2	0300113	GREASE FITTING, 1/4-28 STRAIGHT	4
3	0301388	ELBOW, 8MJ-8MB90	2
4	0305023	SNAP RING 5100-0225PP	2
5	0311664	CYLINDER	1
6	0311665	CABLE, RETRACT 3-STAGE 1150	2
7	0312379	CABLE - EXTEND 3-STAGE 1150	2
8	0400157	3/8-16 X 2-1/4 HHCS GR 5 ZP	1
9	0400264	5/8-11 X 2-1/4 HHCS GR 5 ZP	4
10	0400349	SCREW, 3/8"-16 X 3/4" FL HD SKT	4
11	0400398	3/8-16 NYLOCK JAM NUT ZP	1
12	0400421	5/8-11 NYLOCK HEX NUT ZP	4
13	0400471	7/8-14 UNF HEX NUT GR 8	2
14	0400472	7/8-14 UNF HEX NUT JAM GR 8	2
15	0400473	7/8 FLATWASHER GR 8	2
16	0400483	LOCKWASHER, 3/8" COUNTERSUNK	4
17	0400930	1-1/2X12 NEX NUT GR 8	2
18	0400931	1-1/2X12 HEX JAM NUT GR 8	2
19	0400935	WASHER, 1-1/2 SAE GR 8	2
20	0703740	SHAFT, EXTEND CYLINDER	1
21	0725177	PIN RETRACT CABLE	2
22	0806752	SHAFT - RETRACT SHEAVE WELDMENT	4
23	0908118	SHEAVE ASSEMBLY 5" DIA	4
24	GA0215	PIN - "D" RING	1
--	0911451	EXTEND SHEAVE ASSEMBLY	--
25	0300113	GREASE FITTING, 1/4-28 STRAIGHT	2
26	0303441	SHEAVE, 10"	2
27	0400177	1/2-13 X 1 1/4 HHCS GR 5, ZP	4
28	0400223	3/8-16 X 3/4 FL. HD. SOCKET SCREW	1
29	0400483	LOCKWASHER, 3/8" COUNTERSUNK	1
30	0400491	1/2 HELICAL LOCK WASHER ZP	4
31	0725175	ROD EXTEND SHEAVE SPACER	2
32	0810170	EXTEND SHEAVE BRACKET WELDMENT	1
33	0810171	EXTEND SHEAVE SHAFT WELDMENT	1

# Section I - PARTS

## 3 - STAGE BOOM ASSEMBLY - MIDDLE STAGE



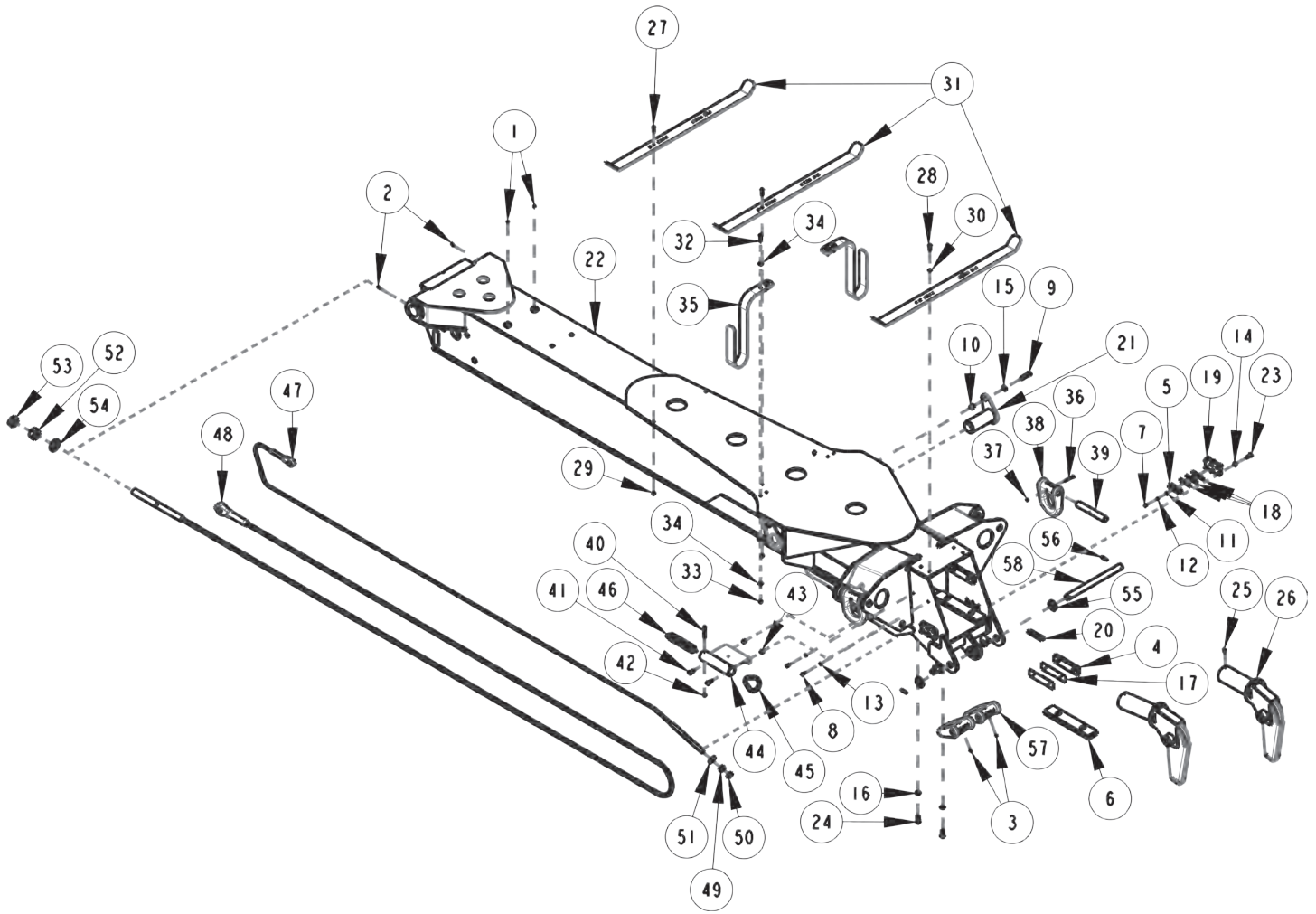
## Section I - PARTS

### 3 - STAGE BOOM ASSEMBLY - MIDDLE STAGE

ITEM	PART NUMBER	DESCRIPTION	QTY
--	0911927	BOOM ASSEMBLY 1150R	--
1	0300113	GREASE FITTING, 1/4-28 STR	10
2	0301895	GREASE FITTING, 1/8 STR PTF	6
3	0301923	SLIDE PAD-BOOM-BOTTOM	2
4	0301924	SLIDE PAD-BOOM-SIDE	4
5	0303892	SLIDE PAD-BOOM-SIDE	6
6	03004324	INNER BOOM SLIDE PAD	4
7	0306825	SLIDE PAD - 3/4 x 1 x 4	4
8	0400066	SCREW, 1/4-20X3/4 HHC GR5	4
9	0400121	SCREW, 3/8-16X3/4 HHC GR5	12
10	0400126	SCREW, 3/8-16X1 HHC GR5	12
11	0400141	SCREW, 3/8-16X7/8 HHC GR5	4
12	0400248	SCREW, 5/8-11X1 HHC GR8	4
13	0400349	SCREW, 3/8-16X3/4 FHS	14
14	0400451	WASHER, 1/4	4
15	0400452	LOCKWASHER 1/4	4
16	0400482	LOCKWASHER 3/8	30
17	0400491	LOCKWASHER 1/2	24
18	0400508	LOCKWASHER 5/8	8
19	0703734	SHIM, SIDE PLATE OUTER BOOM	18
20	0717262	SHIM - SLIDE PAD	12
21	0718466	PLATE - SLIDE PAD SUPPORT	4
22	0725176	SPACER TOP	4
23	0726100	PLATE	2
24	0810168	SECOND STAGE BOOM WELDMENT 1150	1
25	9041402	1/2 NC X 1 1/4 HHCS PLT GR8	24
--	0908443	WING-WINCH CABLE SUPPORT	--
26	0400141	SCREW, 3/8-16X7/8 HHC GR5	4
27	0400482	LOCKWASHER3/8	8
28	0706043	WING, CABLE MED 1040&1040B	1
--	0911453	DRING KIT	--
29	0400501	WASHER, 1-1/4 SAE PL	4
30	0400564	PIN, 3/8X1-3/4 SPR	4
31	0710638	PIN, D-RING	2
32	0719585	D-RING, TOWING	4
--	0911450	EXTEND SYSTEM	--
33	0300113	GREASE FITTING, 1/4-28 STRAIGHT	4
34	0400205	SCREW, 1/2-13X3 HHC GR5	2
35	0400349	SCREW, 3/8"-16 X 3/4" FL HD SKT	4
36	0400408	NUT, 1/2-13 LOCK	2
37	0400483	LOCKWASHER, 3/8" COUNTERSUNK	4
38	0806752	SHAFT - RETRACT SHEAVE WELDMENT	4

# Section I - PARTS

## 3 - STAGE BOOM ASSEMBLY - OUTER STAGE



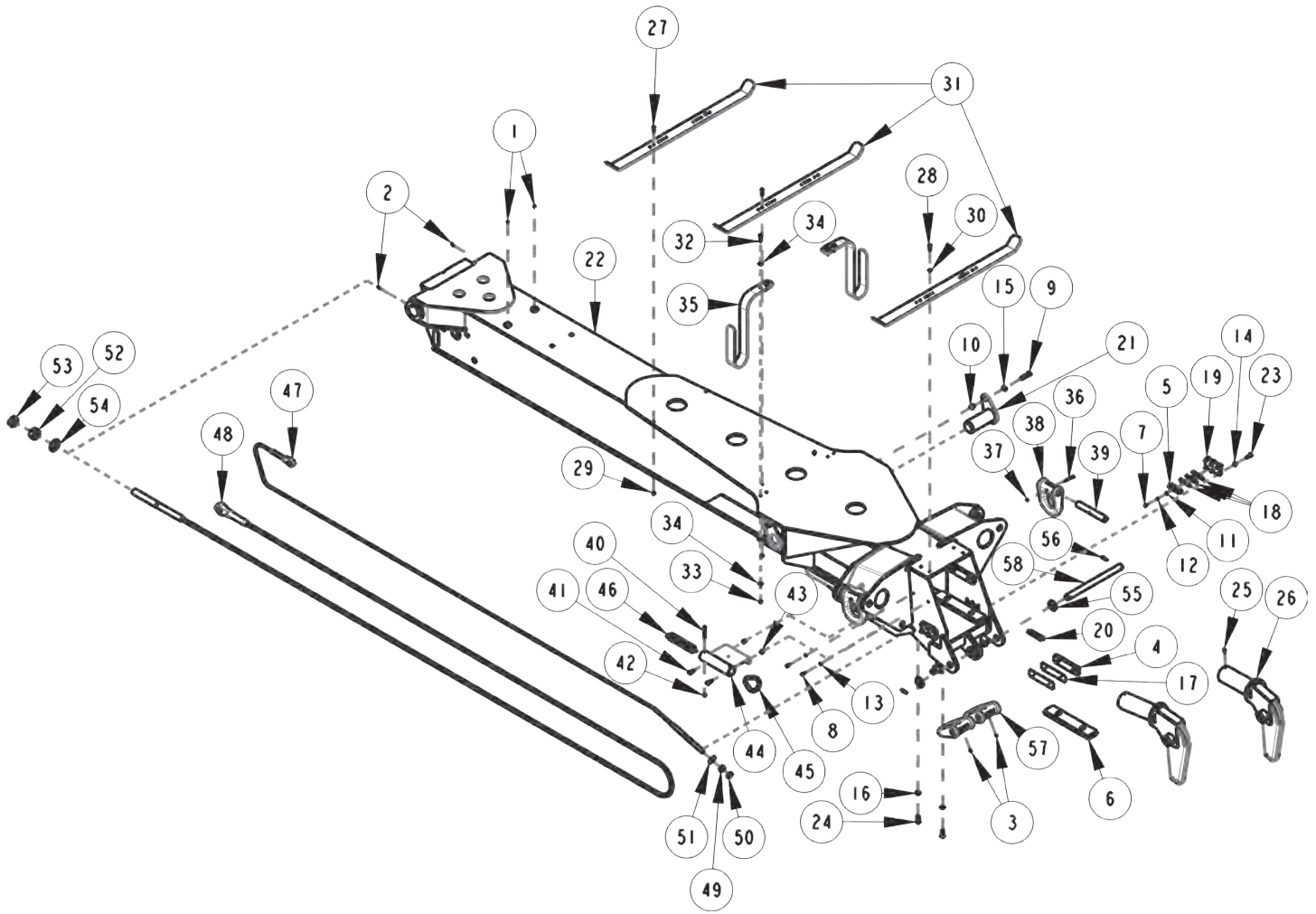
## Section I - PARTS

### 3 - STAGE BOOM ASSEMBLY - OUTER STAGE

ITEM	PART NUMBER	DESCRIPTION	QTY
--	0911927	BOOM ASSEMBLY 1150R	--
1	0300113	GREASE FITTING, 1/4-28 STR	10
2	0301397	GREASE FITTING, 1/4-28 90	2
3	0301895	GREASE FITTING, 1/8 STR PTF	6
4	0301924	SLIDE PAD-BOOM-SIDE	4
5	0306825	SLIDE PAD - 3/4 x 1 x 4	4
6	0307234	PAD - SLIDE	2
7	0400066	SCREW, 1/4-20X3/4 HHC GR5	4
8	0400121	SCREW, 3/8-16X3/4 HHC GR5	12
9	0400262	SCREW, 5/8-11X2-1/2 HHC GR8	2
10	0400426	NUT, 5/8-11 LOCK GR8	2
11	0400451	WASHER, 1/4	4
12	0400452	LOCKWASHER 1/4	4
13	0400482	LOCKWASHER 3/8	30
14	0400491	LOCKWASHER 1/2	24
15	0400503	WASHER, 5/8 GR8	2
16	0400508	LOCKWASHER 5/8	8
17	0703734	SHIM, SIDE PLATE OUTER BOOM	18
18	0717262	SHIM - SLIDE PAD	12
19	0718466	PLATE - SLIDE PAD SUPPORT	4
20	0725176	SPACER TOP	2
21	0806922	LIFT CYL PIVOT ROD END WELDMENT	2
22	31548003	OUTER BOOM WLMT 1150 LAF	1
23	9041402	1/2 NC X 1 1/4 HHCS PLT GR8	24
24	9043950	5/8 NC X 1 1/2 HHCS PL GR 8	4
--	0906536	KIT-BOOM SWIVEL	--
25	0400554	PIN, 3/8X1 SPR	6
26	0906537	SWIVEL - BOOM ASSEMBLY	2
--	0908443	WING-WINCH CABLE SUPPORT	--
27	0400132	SCREW, 3/8-16X1-1/2 HHC GR5	4
28	0400141	SCREW, 3/8-16X7/8 HHC GR5	4
29	0400392	NUT, 3/8-16 LOCK	4
30	0400482	LOCKWASHER3/8	4
31	0706042	WING, CABLE LONG 1040&1040B	3
--	0910060	KIT, CABLE WING LOOP--	--
32	0400157	SCREW, 3/8-16X1-3/4 HHC GR5	4
33	0400392	NUT, 3/8-16 LOK	4
34	0400480	WASHER, 3/8	8
35	0719768	CABLE GUIDE	2
--	0910707	SIDE D-RING PARTS 1060S/1075S	--
36	0400107	SCREW, 5/16-18X2-1/2 HHC GR5	2
37	0400776	NUT, 5/16-18 JAM LOK	2
38	0719585	D-RING, TOWING	2
39	0722325	PIN - D-RING	2

# Section I - PARTS

## 3 - STAGE BOOM ASSEMBLY - OUTER STAGE (cont'd)



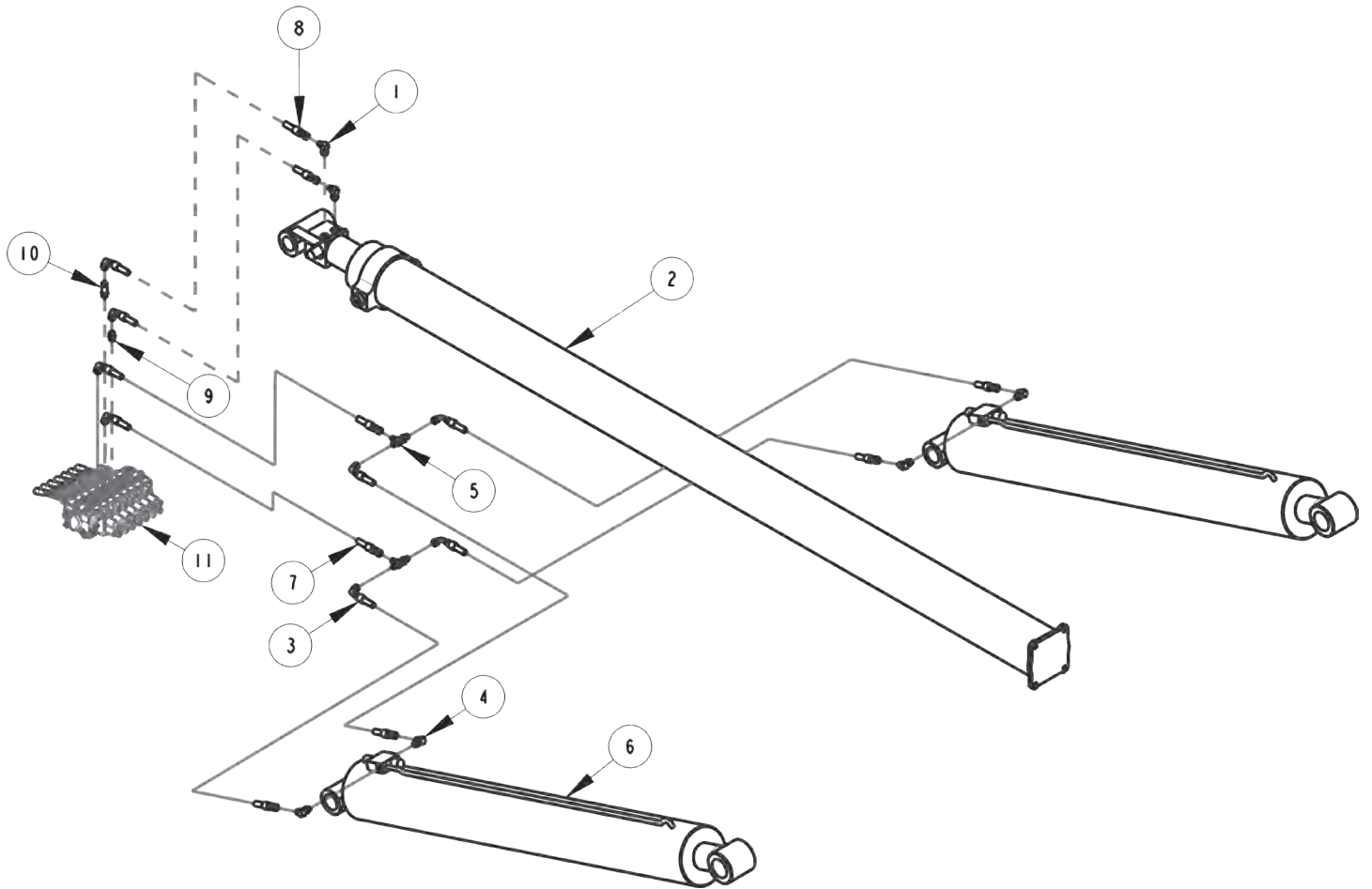
## Section I - PARTS

### 3 - STAGE BOOM ASSEMBLY - OUTER STAGE (cont'd)

ITEM	PART NUMBER	DESCRIPTION	QTY
--	0910793	KIT-WINCH CABLE STOW	--
40	0400133	SCREW, 3/8-16X3 HHC GR5	2
41	0400177	SCREW, 1/2-13X1-1/4 HHC GR5	4
42	0400392	NUT, 3/8-16 LOK	2
43	0400408	NUT, 1/2-13 LOK	4
44	0807844	CABLE TIEBACK WELDMENT	2
45	9048800	5/8 WELDLESS CHAIN LINK	2
46	945030007	CABLE TIE BACK SPRING-1	2
--	0911450	EXTEND SYSTEM	--
47	0311665	CABLE, RETRACT 3-STAGE 1150	2
48	0312379	CABLE - EXTEND 3-STAGE 1150	2
49	0400471	7/8-14 UNF HEX NUT GR 8	2
50	0400472	7/8-14 UNF HEX NUT JAM GR 8	2
51	0400473	7/8 FLATWASHER GR 8	2
52	0400930	1-1/2X12 NEX NUT GR 8	2
53	0400931	1-1/2X12 HEX JAM NUT GR 8	2
54	0400935	WASHER, 1-1/2 SAE GR 8	2
--	0911452	DRING KIT	--
55	0400501	WASHER, 1-1/4 SAE PL	2
56	0400564	PIN, 3/8X1-3/4 SPR	2
57	0719585	D-RING, TOWING	2
58	0725173	PIN, D-RING	1

# Section I - PARTS

## RECOVERY BOOM HYDRAULICS





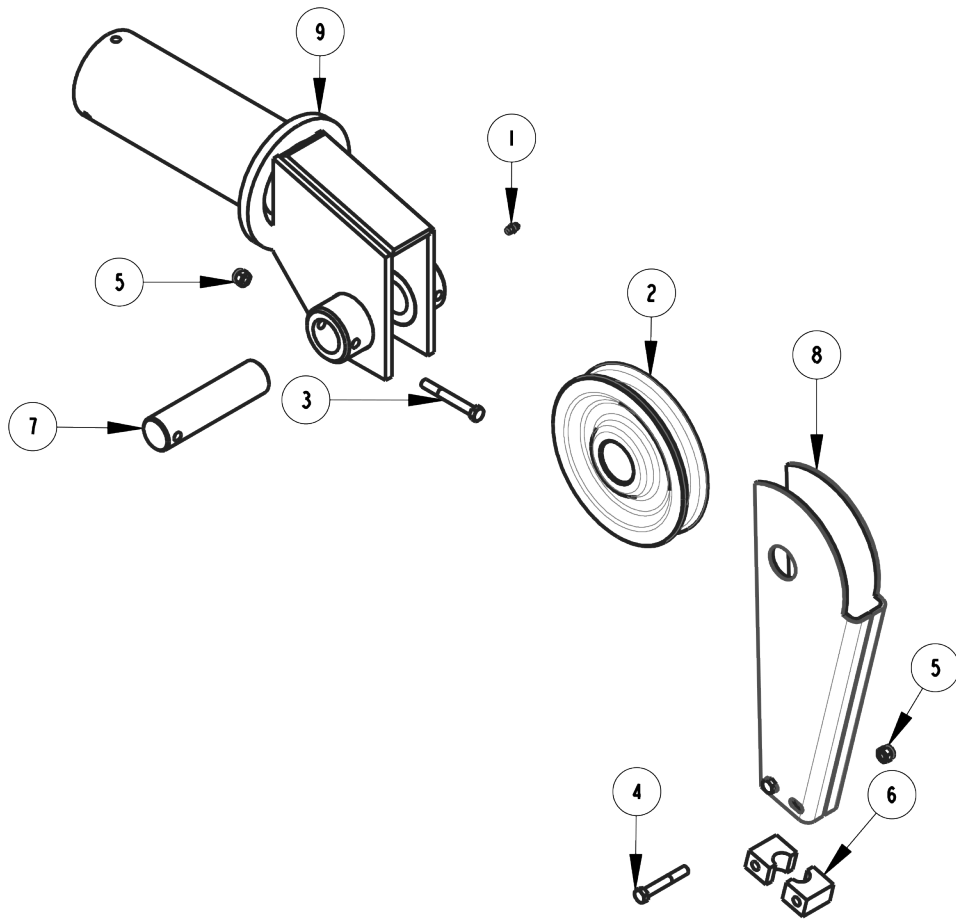
## Section I - PARTS

### RECOVERY BOOM HYDRAULICS

ITEM	PART NUMBER	DESCRIPTION	QTY
--	0911450	EXTEND SYSTEM	--
1	0301388	FITTING, 90ELL, 8MJ-8MB90	2
2	0311664	CYLINDER	1
--	0911549	LIFT CYLINDER ASSEMBLY 1150	--
3	0300657	HOSE, HYDRAULIC 46" LG	4
4	0301388	FITTING, 90ELL, 8MJ-8MB90	4
5	0302574	FITTING-BULKHEAD RUN TEE	2
6	0307629	CYLINDER, BOOM LIFT	2
--	0911561	WRECKER FRAME ASSY 1150XL 12V	--
7	0301370	HOSE, HYDRAULIC LIFT CYL 1040-B	8
8	0300659	HOSE, HYDRAULIC 45" LG	2
--	0911578	UPPER VALVE ASSEMBLY	--
9	0300041	FITTING, CONNECTOR 8MJ-8MB	5
10	0301445	FITTING, EXTENDED	5
11	0311652	VALVE CONTROL 7 SPOOL	1

# Section I - PARTS

## BOOM SWIVEL ASSEMBLY



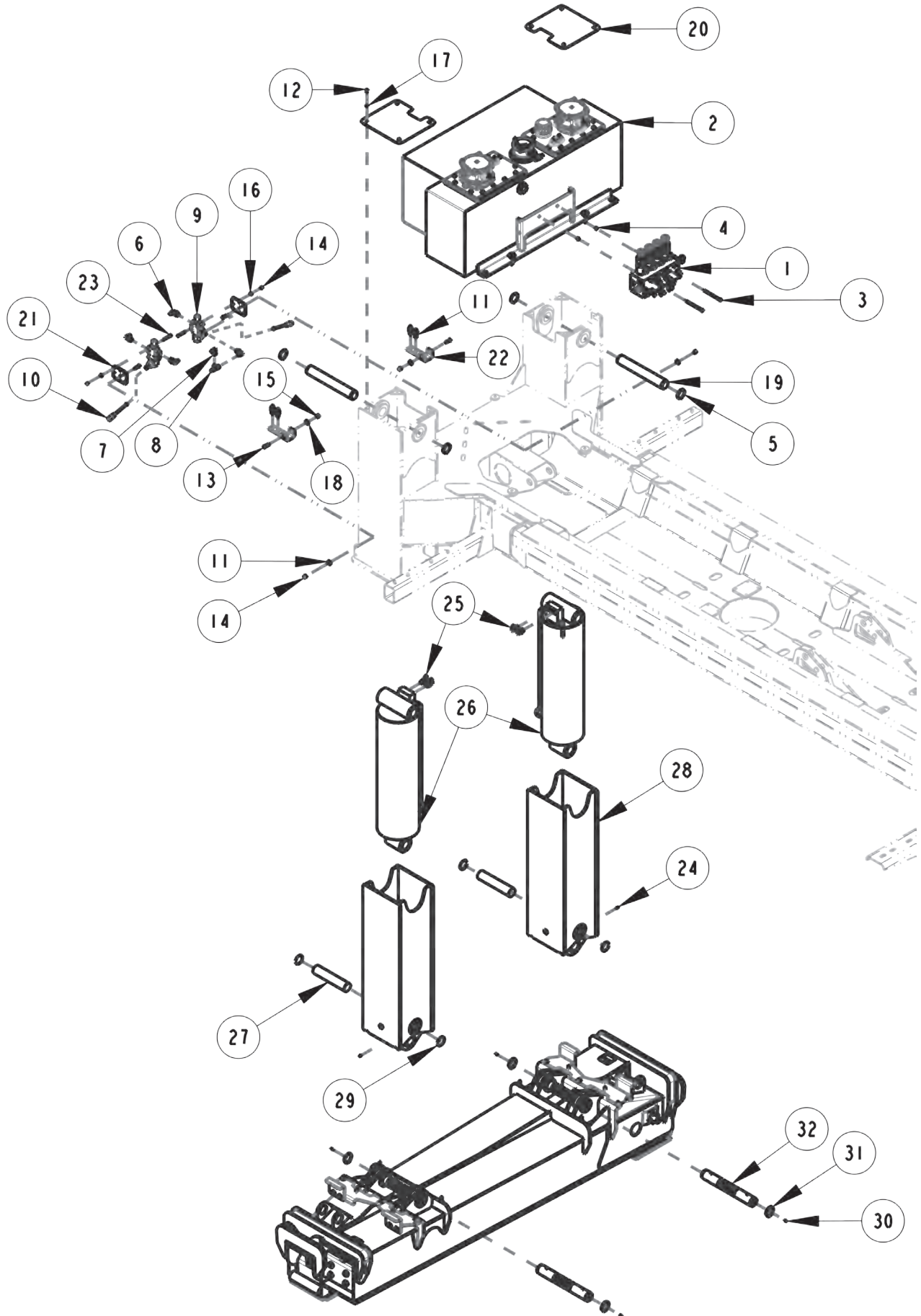
## Section I - PARTS

### BOOM SWIVEL ASSEMBLY

ITEM	PART NUMBER	DESCRIPTION	QTY
--	0906530	BOOM SWIVEL (SIDE WINCHES)	--
1	0300113	GREASE FITTING, 1/4"-28 STRAIGHT	2
2	0300626	SHEAVE,8" 58SHVBBAY 1.5	2
3	0400133	SCREW, 3/8"-16 X 3" HEX HD CAP GR 5 ZP	2
4	0400150	SCREW, 3/8"-16 X 2-1/2" HEX HD CAP GR 5 ZP	4
5	0400392	NUT, 3/8"-16 NYLOCK HEX ZP	6
6	0700801	GUIDE, BOTTOM CABLE	4
7	0716134	SHEAVE SHAFT	2
8	0800286	GUIDE-CABLE	2
9	0804448	BOOM END SWIVEL WLDT-FIII/4024	2
--	0906537	BOOM SWIVEL (RECOVERY BOOM)	--
1	0300113	GREASE FITTING, 1/4"-28 STRAIGHT	2
2	0300311	SHEAVE, 12-101BB 10	2
3	0400133	SCREW, 3/8"-16 X 3" HEX HD CAP GR 5 ZP	4
4	0400140	SCREW, 3/8"-16 X 4" HEX HD CAP GR 5 ZP	2
5	0400392	NUT, 3/8"-16 NYLOCK HEX ZP	6
6	0700511	GUIDE, BOTTOM CABLE	4
7	0700563	SHEAVE SHAFT	2
8	0802027	CABLE GUIDE WELDMENT	2
9	0804451	BOOM END SWIVEL WELDMENT	2

# Section I - PARTS

## 3-STAGE FRONT OUTRIGGER VERTICAL ASSEMBLY



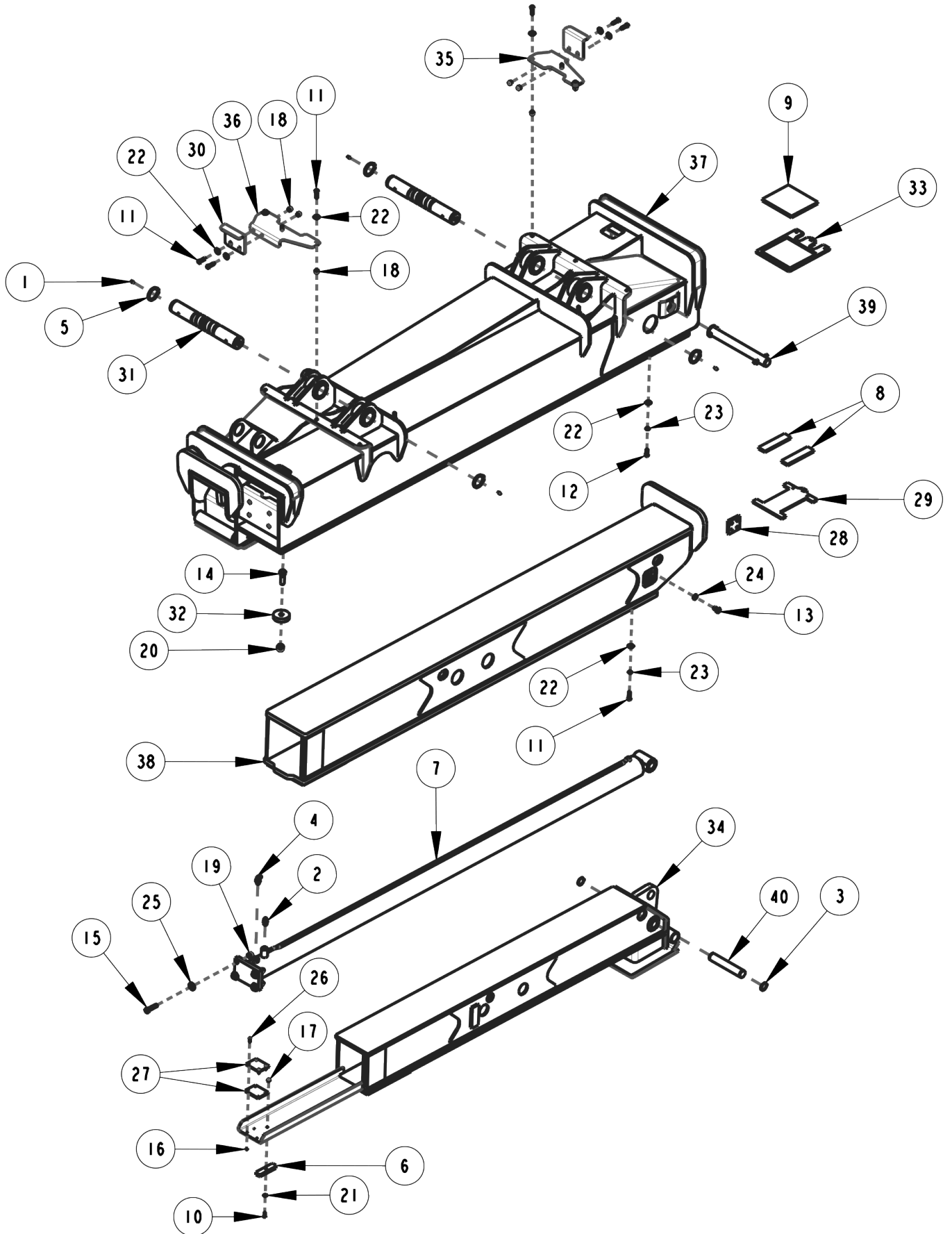
## Section I - PARTS

### 3-STAGE FRONT OUTRIGGER VERTICAL ASSEMBLY

ITEM	PART NUMBER	DESCRIPTION	QTY
--	0911599	SUBFRAME ASSEMBLY	--
1	0911580	FRONT OUTRIGGER VALVE ASSEMBLY	1
2	0911857	TANK ASSEMBLY	1
--	0911580	FRONT OUTRIGGER VALVE ASSEMBLY	--
3	0400231	SCREW, 3/8-16X5 HHC GR5	2
4	0400392	NUT, 3/8-16 LOK	2
--	0911929	FRONT OUTRIGGER INSTALLATION 1150R	--
5	0300329	SNAP RING, EXTERNAL 2	4
6	0301470	FITTING, 90ELB 6MJ-8MB90	4
7	0301696	FITTING, ELB 90 DEG 6MJ-6FJX90	1
8	0301781	FITTING, SWV NUT RUN TEE	1
9	0310397	VALVE, DIVERTER WALVOIL	2
10	0310398	HANDLE, DIVERTER VALVE	2
11	0310480	FITTING - BULKHEAD -6 UNION	4
12	0400066	SCREW, 1/4-20X3/4 HHC GR5	8
13	0400122	SCREW, 3/8-16X1-1/4 HHC GR5	6
14	0400367	NUT, 1/4-20 LOK	6
15	0400392	NUT, 3/8-16 LOK	6
16	0400451	WASHER, 1/4	12
17	0400452	LOCKWASHER, 1/4	8
18	0400480	WASHER, 3/8	6
19	0722169	PIN - O/R CYLINDER BASE	2
20	0722171	PLATE - OUTRIGGER COVER	2
21	0722173	PLATE - VALVE MOUNTING	2
22	0722381	ANGLE - BULKHEAD	2
23	9041010	1/4 NC X 2 1/4 HHCS GR8	6
--	0910575	FRONT O/R VERTICAL INNER ASSEMBLY	--
24	0300113	GREASE FITTING, 1/4-28 STR	4
25	0301470	FITTING, 90ELB 6MJ-8MB90	4
26	0310950	CYLINDER, HYD. 8 BORE 21 STROKE 5K VALVE	2
27	0722170	PIN - O/R CYLINDER ROD	2
28	0807449	FRONT O/R VERTICAL INNER WLMT	2
29	HD0151	SNAP RING, 2"INTERNAL	4
--	0910189	3-STAGE FRONT OUTRIGGER ASSEMBLY	--
--	0911652	3-STAGE FRONT OUTRIGGER ASSY BIG FEET	--
30	0300113	GREASE FITTING, 1/4-28 STR	4
31	0302776	SNAP RING,EXTERNAL 2	4
32	0726316	PIN, OUTRIGGER PIVOT	2

# Section I - PARTS

## 3-STAGE FRONT OUTRIGGER HORIZONTAL ASSEMBLY



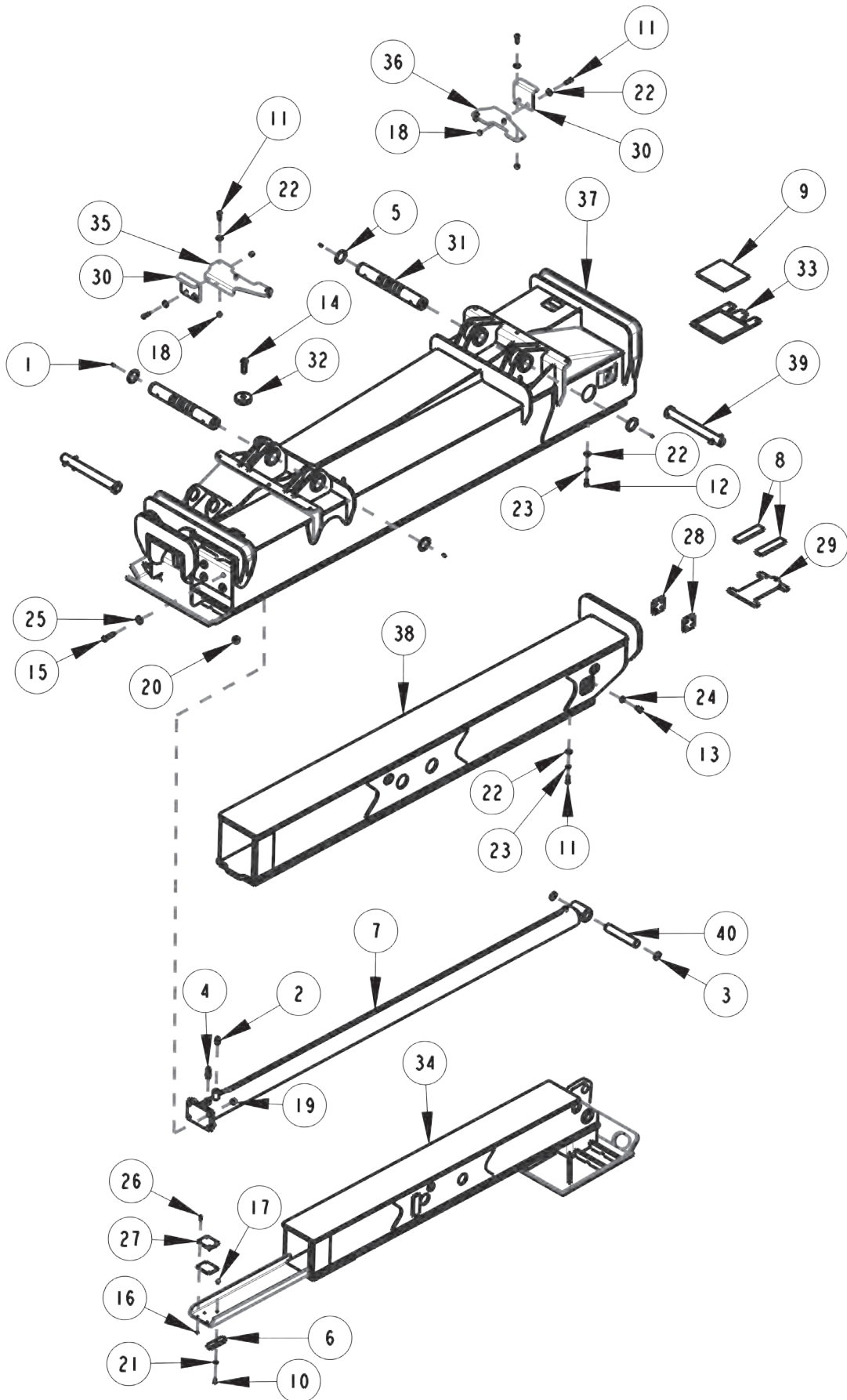
## Section I - PARTS

### 3-STAGE FRONT OUTRIGGER HORIZONTAL ASSEMBLY

ITEM	PART NUMBER	DESCRIPTION	QTY
--	0910189	3-STAGE FRONT OUTRIGGER ASSEMBLY	--
1	0300113	GREASE FITTING, 1/4-28 STR	4
2	0301522	FITTING, CONN. 6MJ-6MB	2
3	0301642	SNAP RING, 1-1/4 DIA	4
4	0302509	FITTING, ELB 45 DEG	2
5	0302776	SNAP RING,EXTERNAL 2	4
6	0303490	PAD-WEAR 1/2" X 1" X 4"	2
7	0310396	CYLINDER, HYD. O.R. 3 BORE x 84 STROKE	2
8	0312690	OUTRIGGER WEAR PAD 0.31x1.50x6	4
9	0312691	OUTRIGGER WEAR PAD 0.39x6x6.75	2
10	0400066	SCREW, 1/4-20X3/4 HHC GR5	2
11	0400122	SCREW, 3/8-16X1-1/4 HHC GR5	12
12	0400126	SCREW, 3/8-16X1 HHC GR5	4
13	0400239	SCREW, 1/2-13X3/4 HHC GR5	16
14	0400260	SCREW, 5/8-11X2 HHC GR5	2
15	0400343	SCREW, 1/2-13X2 HHC GR8	8
16	0400351	NUT, 8-32 HEX	8
17	0400367	NUT, 1/4-20 LOK	2
18	0400392	NUT, 3/8-16 LOK	8
19	0400416	NUT, 1/2-13 LOK GR8	8
20	0400421	NUT, 5/8-11 LOK	2
21	0400451	WASHER, 1/4	2
22	0400480	WASHER, 3/8	16
23	0400482	LOCKWASHER, 3/8	8
24	0400491	LOCKWASHER, 1/2	16
25	0400497	WASHER, 1/2 GR8	8
26	0401054	SCREW, 8-32X3/4 PRH SS	8
27	0703277	PAD, SLIDER	4
28	0717869	PLATE, SPACER (BOLT-ON)	4
29	0719462	PLATE - PAD CAGE	2
30	0722174	ANGLE - CAM	2
--	0723891	PLATE-SHIM (ITEM USED AS RE'Q W/ITEM 28)	2
31	0726316	PIN, OUTRIGGER PIVIT	2
32	0726709	PLATE STOP	2
33	07000610	PLATE, PAD CAGE	2
34	0807946	3RD STAGE OUTRIGGER	2
35	0810511	RH CAM MOUNTING WELDMENT	1
36	0810512	LH CAM MOUNTING WELDMENT	1
37	0810529	FRONT OUTRIGGER BOX WELDMENT	1
38	0810530	OUTRIGGER MID STAGE WELDMENT	1
39	0910190	LOCK PIN ASSEMBLY	4
40	897400002	REAR PIN	2

# Section I - PARTS

## 3-STAGE FRONT OUTRIGGER HORIZONTAL ASSEMBLY (BIG FEET)





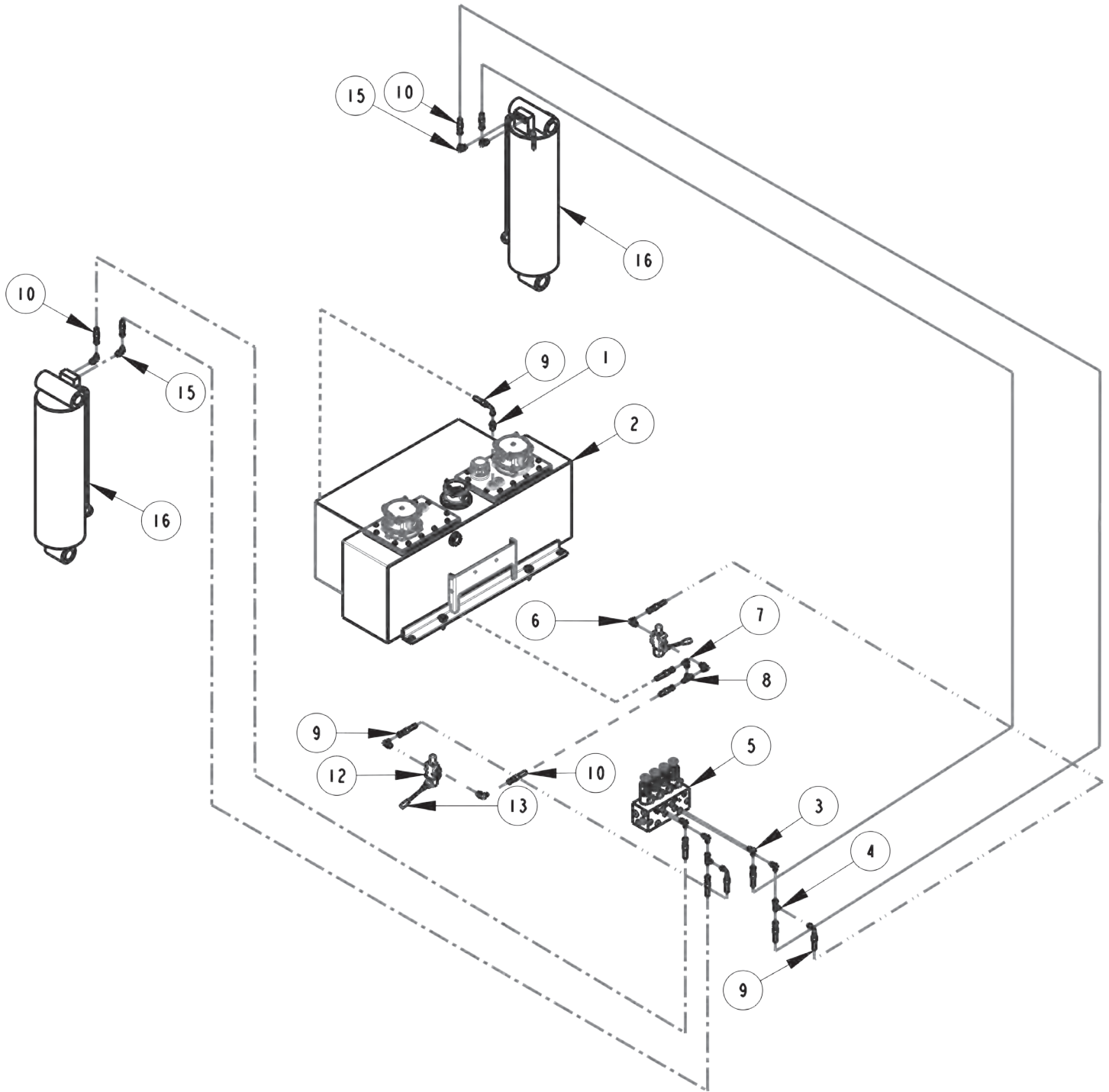
## Section I - PARTS

### 3-STAGE FRONT OUTRIGGER HORIZONTAL ASSEMBLY (BIG FEET)

ITEM	PART NUMBER	DESCRIPTION	QTY
--	0911652	3-STG FRT OUTRGR ASSY BIG FEET	--
1	0300113	GREASE FITTING, 1/4-28 STR	4
2	0301522	FITTING, CONN. 6MJ-6MB	2
3	0301642	SNAP RING, 1-1/4 DIA	4
4	0302509	FITTING, ELB 45 DEG	2
5	0302776	SNAP RING,EXTERNAL 2	4
6	0303490	PAD-WEAR 1/2" X 1" X 4"	2
7	0310396	CYLINDER, HYD. O.R. 3 BORE x 84 STROKE	2
8	0312690	OUTRIGGER WEAR PAD 0.31x1.50x6	4
9	0312691	OUTRIGGER WEAR PAD 0.39x6x6.75	2
10	0400066	SCREW, 1/4-20X3/4 HHC GR5	2
11	0400122	SCREW, 3/8-16X1-1/4 HHC GR5	12
12	0400126	SCREW, 3/8-16X1 HHC GR5	4
13	0400239	SCREW, 1/2-13X3/4 HHC GR5	16
14	0400260	SCREW, 5/8-11X2 HHC GR5	2
15	0400343	SCREW, 1/2-13X2 HHC GR8	8
16	0400351	NUT, 8-32 HEX	8
17	0400367	NUT, 1/4-20 LOK	2
18	0400392	NUT, 3/8-16 LOK	8
19	0400416	NUT, 1/2-13 LOK GR8	8
20	0400421	NUT, 5/8-11 LOK	2
21	0400451	WASHER, 1/4	2
22	0400480	WASHER, 3/8	16
23	0400482	LOCKWASHER , 3/8	8
24	0400491	LOCKWASHER , 1/2	16
25	0400497	WASHER, 1/2 GR8	8
26	0401054	SCREW, 8-32X3/4 PRH SS	8
27	0703277	PAD, SLIDER	4
28	0717869	PLATE, SPACER (BOLT-ON)	4
29	0719462	PLATE - PAD CAGE	2
30	0722174	ANGLE - CAM	2
--	0723891	PLATE-SHIM (ITEM USED AS RE'Q W/ITEM 28)	4
31	0726316	PIN, OUTRIGGER PIVIT	2
32	0726709	PLATE STOP	2
33	07000610	PLATE, PAD CAGE	2
34	0810335	3RD STG/INNER, BIG FOOT, FRONT	2
35	0810511	RH CAM MOUNTING WELDMENT	1
36	0810512	LH CAM MOUNTING WELDMENT	1
37	0810529	FRONT OUTRIGGER BOX WELDMENT	1
38	0810530	OUTRIGGER MID STAGE WELDMENT	2
39	0910190	LOCK PIN ASSEMBLY	4
40	897400002	REAR PIN	2

# Section I - PARTS

## 3-STAGE FRONT OUTRIGGER (LIFT FUNCTION) HYDRAULICS



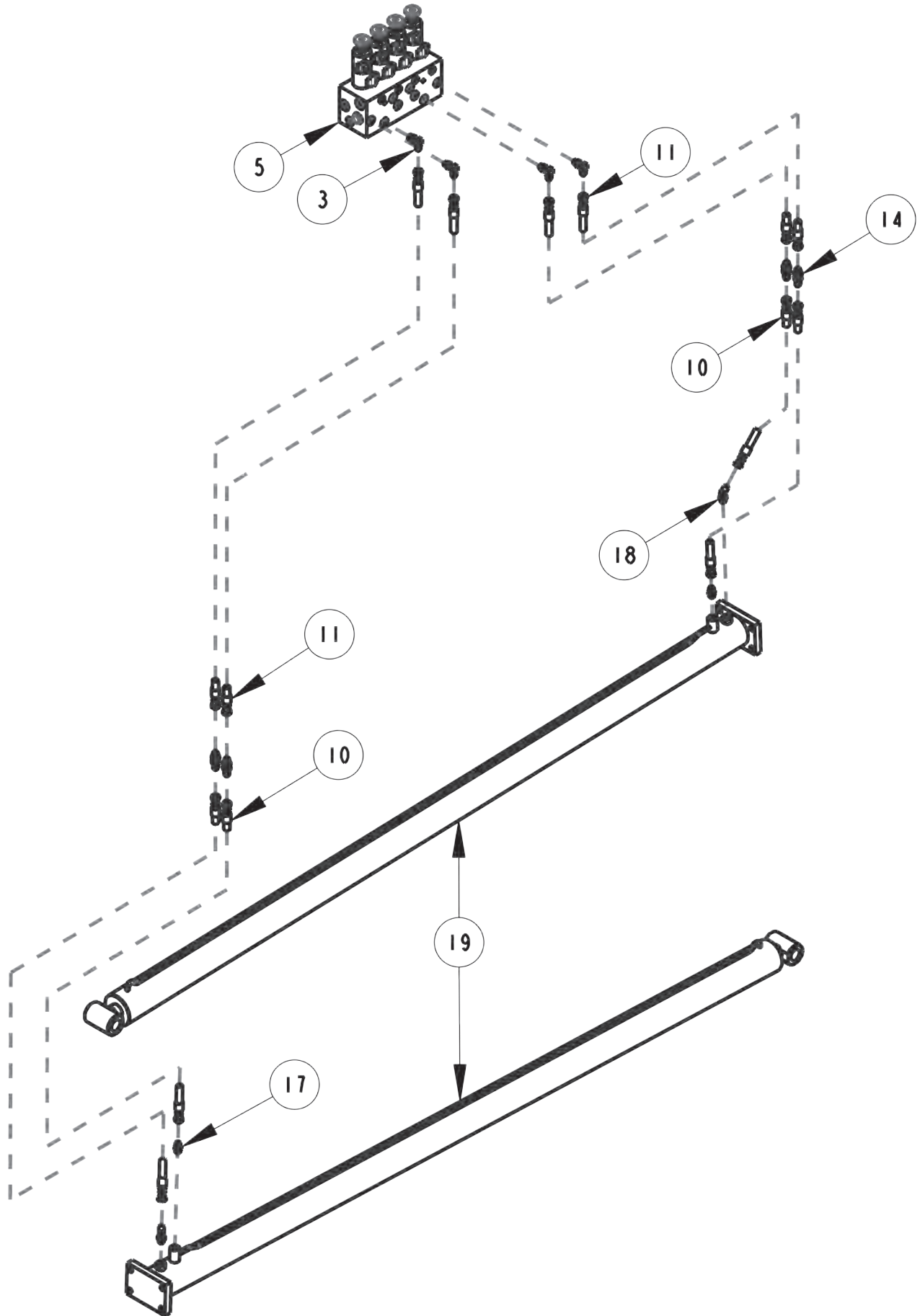
## Section I - PARTS

### 3-STAGE FRONT OUTRIGGER (LIFT FUNCTION) HYDRAULICS

ITEM	PART NUMBER	DESCRIPTION	QTY
--	0911599	SUBFRAME ASSEMBLY	--
1	0302727	FITTING, HYD CONN	2
2	0911857	TANK ASSEMBLY	1
--	0911580	FRONT OUTRIGGER VALVE ASSEMBLY	--
3	0301620	FITTING, HYDRAULIC 6MJ - 6MB90	9
4	0301781	FITTING, SWV NUT RUN TEE	2
5	0311777	VALVE OUTRIGGER	1
--	0911929	FRONT OUTRIGGER INSTALLATION 1150R	--
6	0301470	FITTING, 90ELB 6MJ-8MB90	4
7	0301696	FITTING, ELB 90 DEG 6MJ-6FJX90	1
8	0301781	FITTING, SWV NUT RUN TEE	1
9	0303170	HOSE, HYDRAULIC 75" LG	2
10	0303185	HOSE, HYDRAULIC 66" LG.	9
11	0303188	HOSE, HYDRAULIC 75" LG	6
12	0310397	VALVE, DIVERter WALVOIL	2
13	0310398	HANDLE, DIVERter VALVE	2
14	0310480	FITTING - BULKHEAD -6 UNION	4
--	0910575	FRONT O/R VERTICAL INNER ASSEMBLY	--
15	0301470	FITTING, 90ELB 6MJ-8MB90	4
16	0310950	CYLINDER, HYD. 8 BORE 21 STROKE 5K VALVE	2
--	0910189	3-STAGE FRONT OUTRIGGER ASSEMBLY	--
--	0911652	3-STAGE FRONT OUTRIGGER ASSY BIG FEET	--
17	0301522	FITTING, CONN. 6MJ-6MB	2
18	0302509	FITTING, ELB 45 DEG	2
19	0310396	CYLINDER, HYD. O.R. 3 BORE x 84 STROKE	2

# Section I - PARTS

## 3-STAGE FRONT OUTRIGGER (EXTEND FUNCTION) HYDRAULICS



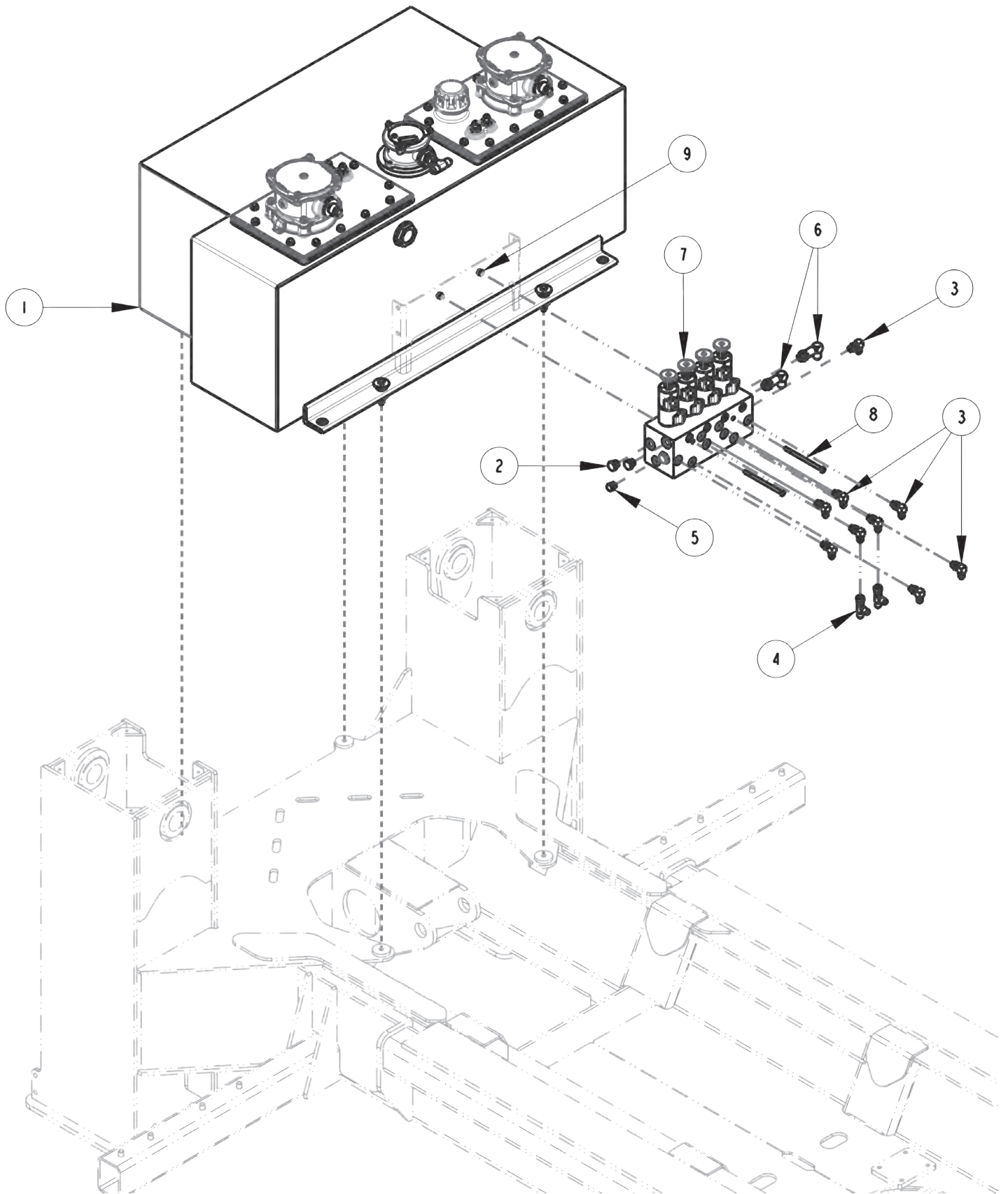
## Section I - PARTS

### 3-STAGE FRONT OUTRIGGER (EXTEND FUNCTION) HYDRAULICS

ITEM	PART NUMBER	DESCRIPTION	QTY
--	0911599	SUBFRAME ASSEMBLY	--
1	0302727	FITTING, HYD CONN	2
2	0911857	TANK ASSEMBLY	1
--	0911580	FRONT OUTRIGGER VALVE ASSEMBLY	--
3	0301620	FITTING, HYDRAULIC 6MJ - 6MB90	9
4	0301781	FITTING, SWV NUT RUN TEE	2
5	0311777	VALVE OUTRIGGER	1
--	0911929	FRONT OUTRIGGER INSTALLATION 1150R	--
6	0301470	FITTING, 90ELB 6MJ-8MB90	4
7	0301696	FITTING, ELB 90 DEG 6MJ-6FJX90	1
8	0301781	FITTING, SWV NUT RUN TEE	1
9	0303170	HOSE, HYDRAULIC 75" LG	3
10	0303185	HOSE, HYDRAULIC 66" LG.	9
11	0303188	HOSE, HYDRAULIC 75" LG	4
12	0310397	VALVE, DIVERter WALVOIL	2
13	0310398	HANDLE, DIVERter VALVE	2
14	0310480	FITTING - BULKHEAD -6 UNION	4
--	0910575	FRONT O/R VERTICAL INNER ASSEMBLY	--
15	0301470	FITTING, 90ELB 6MJ-8MB90	4
16	0310950	CYLINDER, HYD. 8 BORE 21 STROKE 5K VALVE	2
--	0910189	3-STAGE FRONT OUTRIGGER ASSEMBLY	--
--	0911652	3-STAGE FRONT OUTRIGGER ASSY BIG FEET	--
17	0301522	FITTING, CONN. 6MJ-6MB	2
18	0302509	FITTING, ELB 45 DEG	2
19	0310396	CYLINDER, HYD. O.R. 3 BORE x 84 STROKE	2

# Section I - PARTS

## 3-STAGE FRONT OUTRIGGER VALVE ASSEMBLY



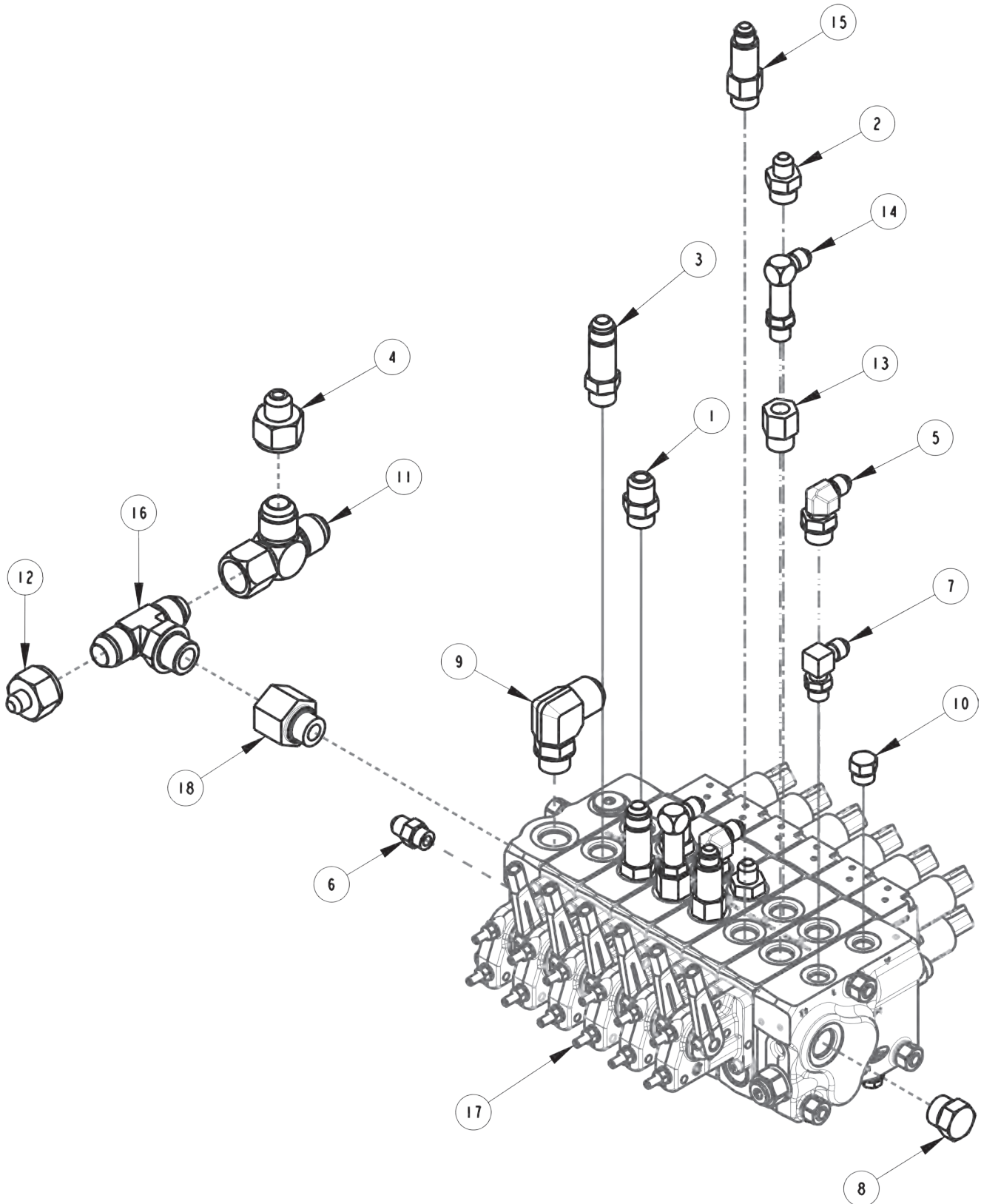
## Section I - PARTS

### 3-STAGE FRONT OUTRIGGER VALVE ASSEMBLY

ITEM	PART NUMBER	DESCRIPTION	QTY
--	0911599	SUBFRAME ASSEMBLY	--
1	0911857	TANK ASSEMBLY	1
--	0911580	FRONT OUTRIGGER VALVE ASSEMBLY	--
2	0300387	PLUG, 8MB	2
3	0301620	FITTING, HYDRAULIC 6MJ - 6MB90	9
4	0301781	FITTING, SWV NUT RUN TEE	2
5	0302507	6 SAE PLUG (6MB PLUG)	1
6	0302508	FITTING, ELL 8MJ-8MB 90LL	2
7	0311777	VALVE OUTRIGGER	1
8	0400231	SCREW, 3/8-16X5 HHC GR5	2
9	0400392	NUT, 3/8-16 LOK	2

# Section I - PARTS

## LOWER CONTROL VALVE ASSEMBLY





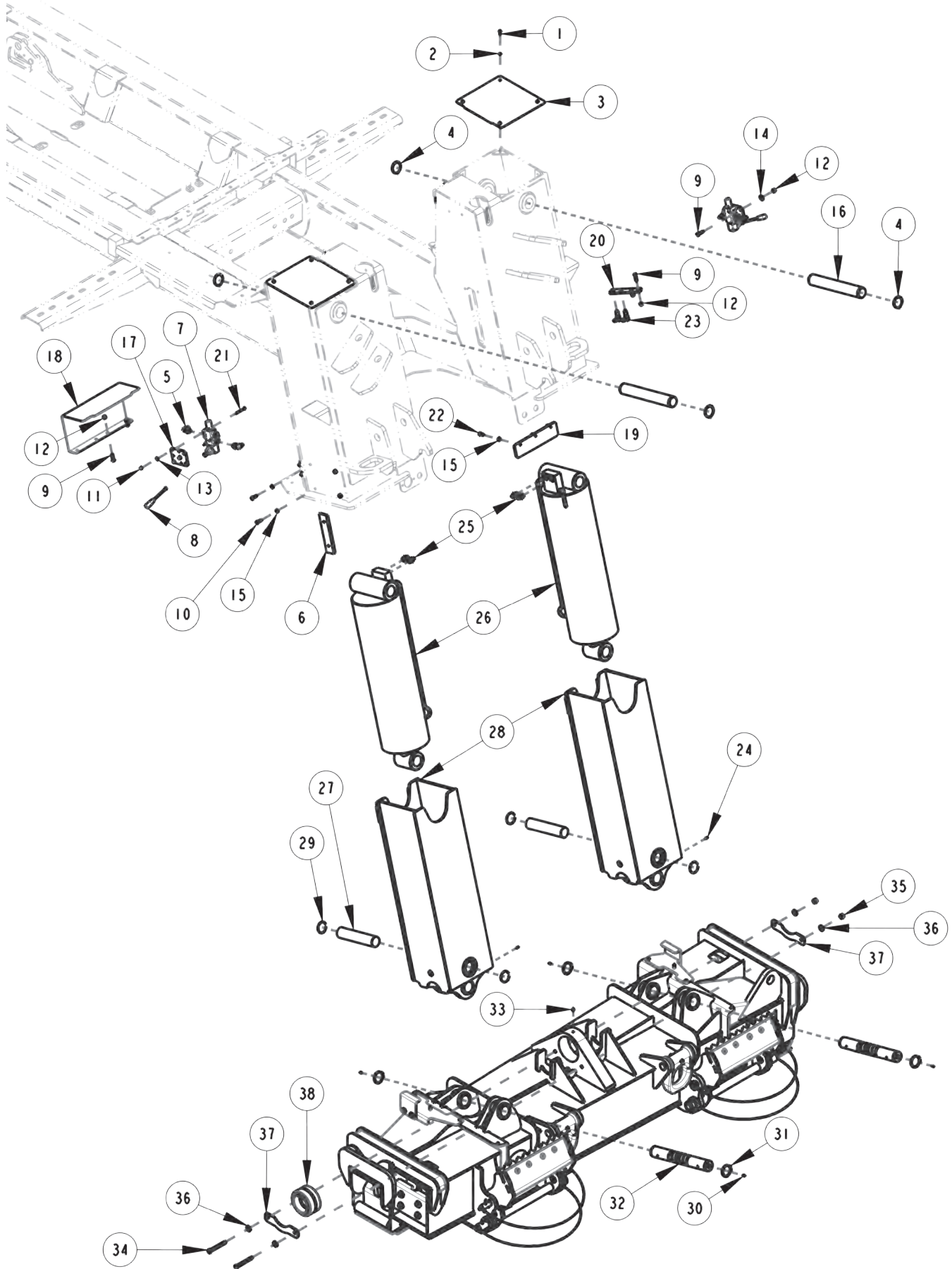
## Section I - PARTS

### LOWER CONTROL VALVE ASSEMBLY

ITEM	PART NUMBER	DESCRIPTION	QTY
--	0911577	LOWER VALVE ASSEMBLY	--
1	0300041	FITTING, CONNECTOR 8MJ-8MB	2
2	0300044	FITTING, CONNECTOR 6MJ-8MB	2
3	0301445	FITTING, EXTENDED	2
4	0301372	FITTING, ST.CONN. 12FJ-8MJ	1
5	0301470	FITTING, 90ELB 6MJ-8MB90	2
6	0301522	FITTING, CONNECTOR 6MJ-6MB	1
7	0301620	FITTING, HYDRAULIC 6MJ - 6MB90	1
8	0301783	FITTING, STRAIGHT THR O-RING PLUG 10MB	1
9	0302085	FITTING, 90 DEG ADPTER	1
10	0302507	6 SAE PLUG (6MB PLUG)	1
11	0302826	FITTING, TEE	1
12	0302829	FITTING, ADAPTER	1
13	0303017	FITTING, CONNECTOR	2
14	0307460	FITTING, HYD 6MJ-6MB90LL	2
15	0310289	FITTING, LONG ADAPTER 6MJ-8MBLL	2
16	0310520	FITTING, TEE 12MJ-12MJ-12MB	1
17	0311653	VALVE CONTROL 6 SPOOL	1
18	0311712	FITTING ADAPTER STR	1

# Section I - PARTS

## HHU OUTRIGGER VERTICAL ASSEMBLY



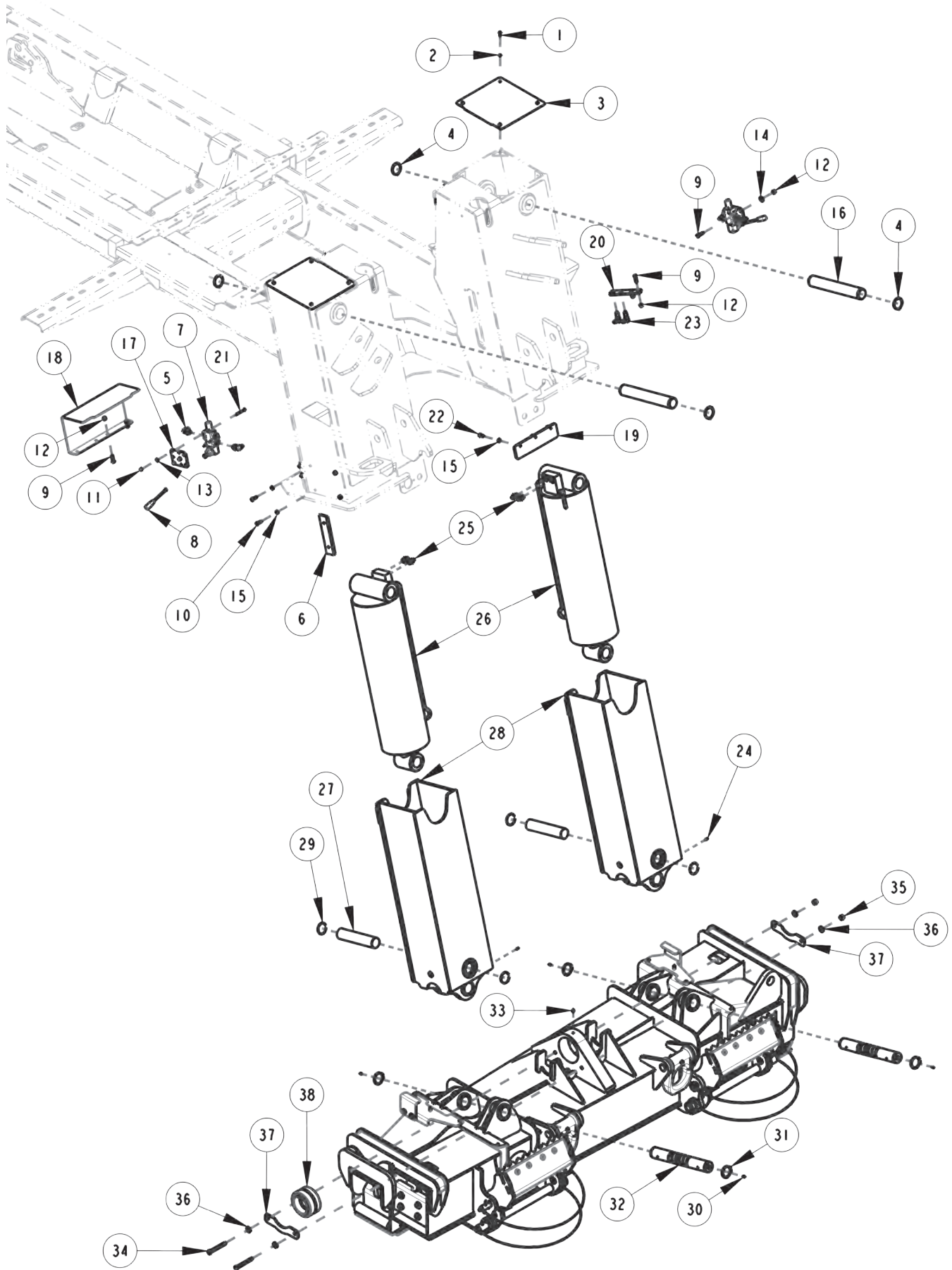
## Section I - PARTS

### HHU OUTRIGGER VERTICAL ASSEMBLY

ITEM	PART NUMBER	DESCRIPTION	QTY
--	0911599	SUBFRAME ASSEMBLY	--
1	0400066	SCREW, 1/4-20X3/4 HHC GR5	8
2	0400452	LOCKWASHER, 1/4	8
3	0723142	COVER SPADE TUBE	2
--	0910869	REAR OUTRIGGER INSTALLATION	--
4	0300329	SNAP RING, EXTERNAL 2	4
5	0301470	FITTING, 90ELB 6MJ-8MB90	4
6	0303892	SLIDE PAD-BOOM-SIDE	4
7	0310397	VALVE, DIVERter WALVOIL	2
8	0310398	HANDLE, DIVERter VALVE	2
9	0400122	SCREW, 3/8-16X1-1/4 HHC GR5	12
10	0400126	SCREW, 3/8-16X1 HHC GR5	8
11	0400367	NUT, 1/4-20 LOK	6
12	0400392	NUT, 3/8-16 LOK	12
13	0400451	WASHER, 1/4	6
14	0400480	WASHER, 3/8	6
15	0400482	LOCKWASHER, 3/8	14
16	0722169	PIN - O/R CYLINDER BASE	2
17	0722173	PLATE - VALVE MOUNTING	2
18	0723141	CHANNEL VALVE COVER	2
19	0723169	PLATE-SPACER	2
20	0724185	PLATE-BULKHEAD	2
21	9041010	1/4 NC X 2 1/4 HHCS GR8	6
22	9041253	3/8NF X3/4 HX HD CAP SC	6
23	FC41	FITTING-90DEG BLKHD ELB W/ NUT	4
--	0910870	REAR O/R VERTICAL INNER ASSEMBLY	--
24	0300113	GREASE FITTING, 1/4-28 STR	4
25	0300044	FITT, HYD CONN. 6MJ-8MB	4
26	0310950	CYLINDER, HYD. 8 BORE 21 STROKE 5K VALVE	2
27	0722170	PIN - O/R CYLINDER ROD	2
28	0807671	INNER VERTICAL TUBE WLMT	2
29	HD0151	SNAP RING, 2"INTERNAL	4

# Section I - PARTS

## HHU OUTRIGGER VERTICAL ASSEMBLY



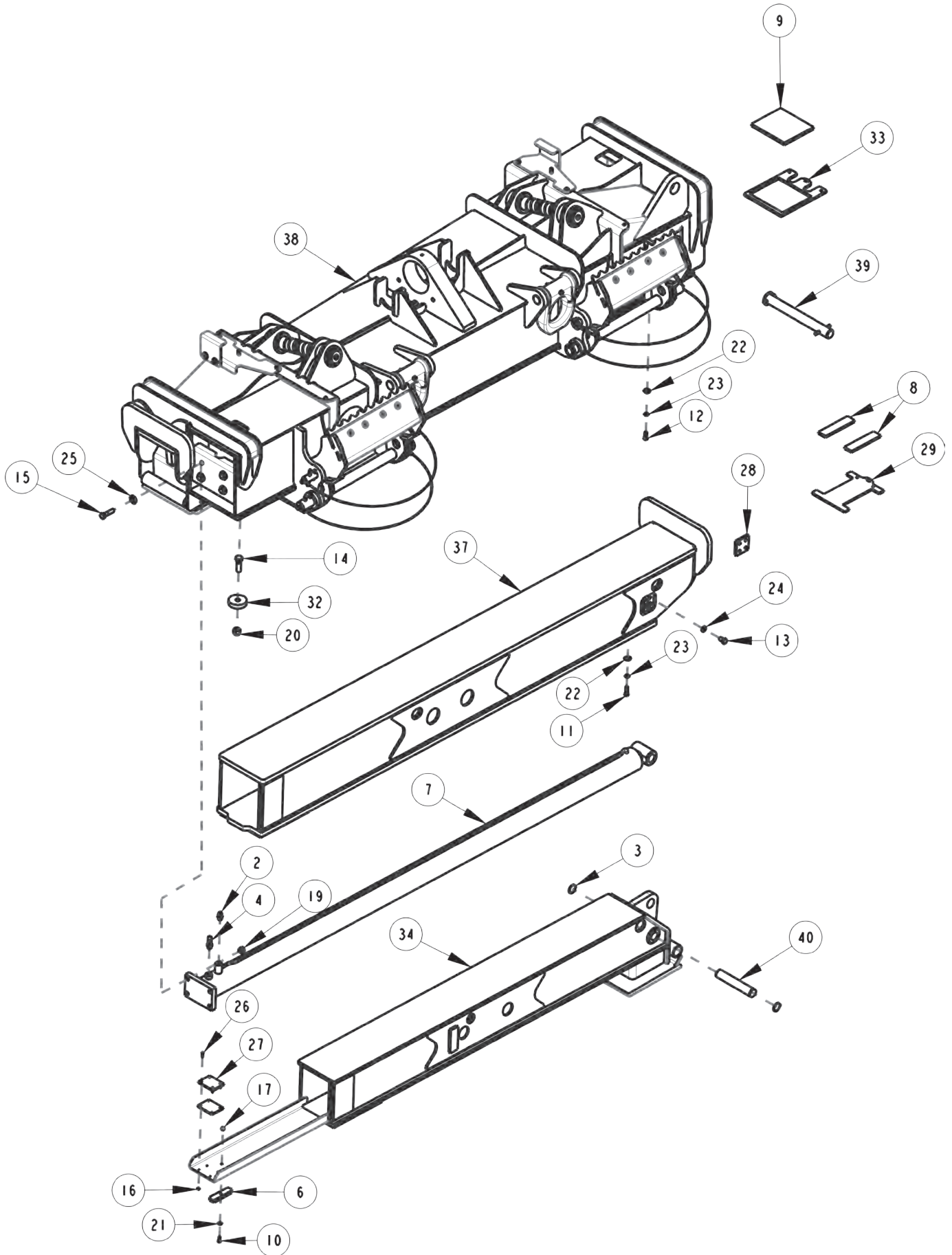
## Section I - PARTS

### HHU OUTRIGGER VERTICAL ASSEMBLY

ITEM	PART NUMBER	DESCRIPTION	QTY
--	0910868	3-STAGE FRONT OUTRIGGER ASSEMBLY	--
--	0911653	3-STAGE REAR OUTRIGGER ASSY BIG FEET	--
30	0300113	GREASE FITTING, 1/4-28 STR	4
31	0302776	SNAP RING,EXTERNAL 2	4
32	0726316	PIN, OUTRIGGER PIVOT	2
--	0911887	UNDERLIFT INSTALLATION HHU 1150	--
33	0301895	GREASE FITTING, 1/8 STR PTF	2
34	0400237	SCREW, 1/2-13X4 HHC GR5	2
35	0400408	NUT, 1/2-13 LOK	2
36	0400467	WASHER, 1/2 SAE PL	4
37	0723635	PLATE-BEARING KEEPER	2
38	9053041	BEARING-SPHERICAL TORRIN	1

# Section I - PARTS

## HHU OUTRIGGER HORIZONTAL ASSEMBLY



## Section I - PARTS

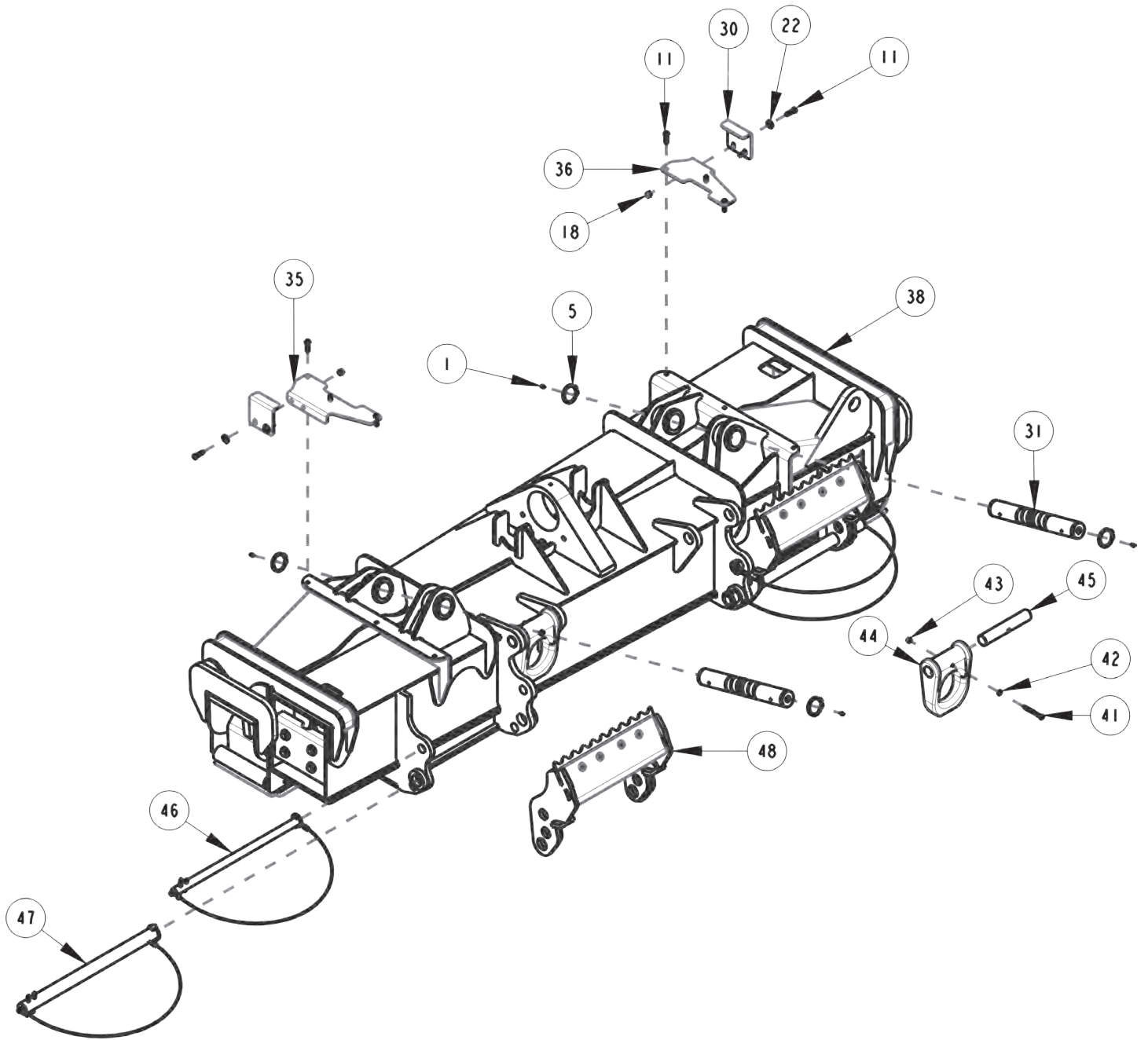
### HHU OUTRIGGER HORIZONTAL ASSEMBLY

ITEM	PART NUMBER	DESCRIPTION	QTY
--	0910868	3-STAGE REAR OUTRIGGER ASSEMBLY	--
1	0300113	GREASE FITTING, 1/4-28 STR	4
2	0301522	FITTING, CONN. 6MJ-6MB	2
3	0301642	SNAP RING, 1-1/4 DIA	4
4	0302509	FITTING, ELB 45 DEG	2
5	0302776	SNAP RING,EXTERNAL 2	4
6	0303490	PAD-WEAR 1/2" X 1" X 4"	2
7	0310396	CYLINDER, HYD. O.R. 3 BORE x 84 STROKE	2
8	0312690	OUTRIGGER WEAR PAD 0.31x1.50x6	4
9	0312691	OUTRIGGER WEAR PAD 0.39x6x6.75	2
10	0400066	SCREW, 1/4-20X3/4 HHC GR5	2
11	0400122	SCREW, 3/8-16X1-1/4 HHC GR5	12
12	0400126	SCREW, 3/8-16X1 HHC GR5	4
13	0400239	SCREW, 1/2-13X3/4 HHC GR5	16
14	0400260	SCREW, 5/8-11X2 HHC GR5	2
15	0400343	SCREW, 1/2-13X2 HHC GR8	8
16	0400351	NUT, 8-32 HEX	8
17	0400367	NUT, 1/4-20 LOK	2
18	0400392	NUT, 3/8-16 LOK	8
19	0400416	NUT, 1/2-13 LOK GR8	8
20	0400421	NUT, 5/8-11 LOK	2
21	0400451	WASHER, 1/4	2
22	0400480	WASHER, 3/8	16
23	0400482	LOCKWASHER, 3/8	8
24	0400491	LOCKWASHER, 1/2	16
25	0400497	WASHER, 1/2 GR8	8
26	0401054	SCREW, 8-32X3/4 PRH SS	8
27	0703277	PAD, SLIDER	4
28	0717869	PLATE, SPACER (BOLT-ON)	4
29	0719462	PLATE - PAD CAGE	2
30	0723140	ANGLE - CAM	2
31	0726316	PIN, OUTRIGGER PIVIT	2
32	0726709	PLATE STOP	2
33	07000610	PLATE, PAD CAGE	2
34	0807946	3RD STAGE OUTRIGGER	2
35	0810511	RH CAM MOUNTING WELDMENT	1
36	0810512	LH CAM MOUNTING WELDMENT	1
37	0810530	OUTRIGGER MID STAGE WELDMENT	1
38	0810590	REAR OUTRIGGER BOX WELDMENT - HHU	1
39	0910190	LOCK PIN ASSEMBLY	4
40	897400002	REAR PIN	2



# Section I - PARTS

## HHU OUTRIGGER HORIZONTAL ASSEMBLY





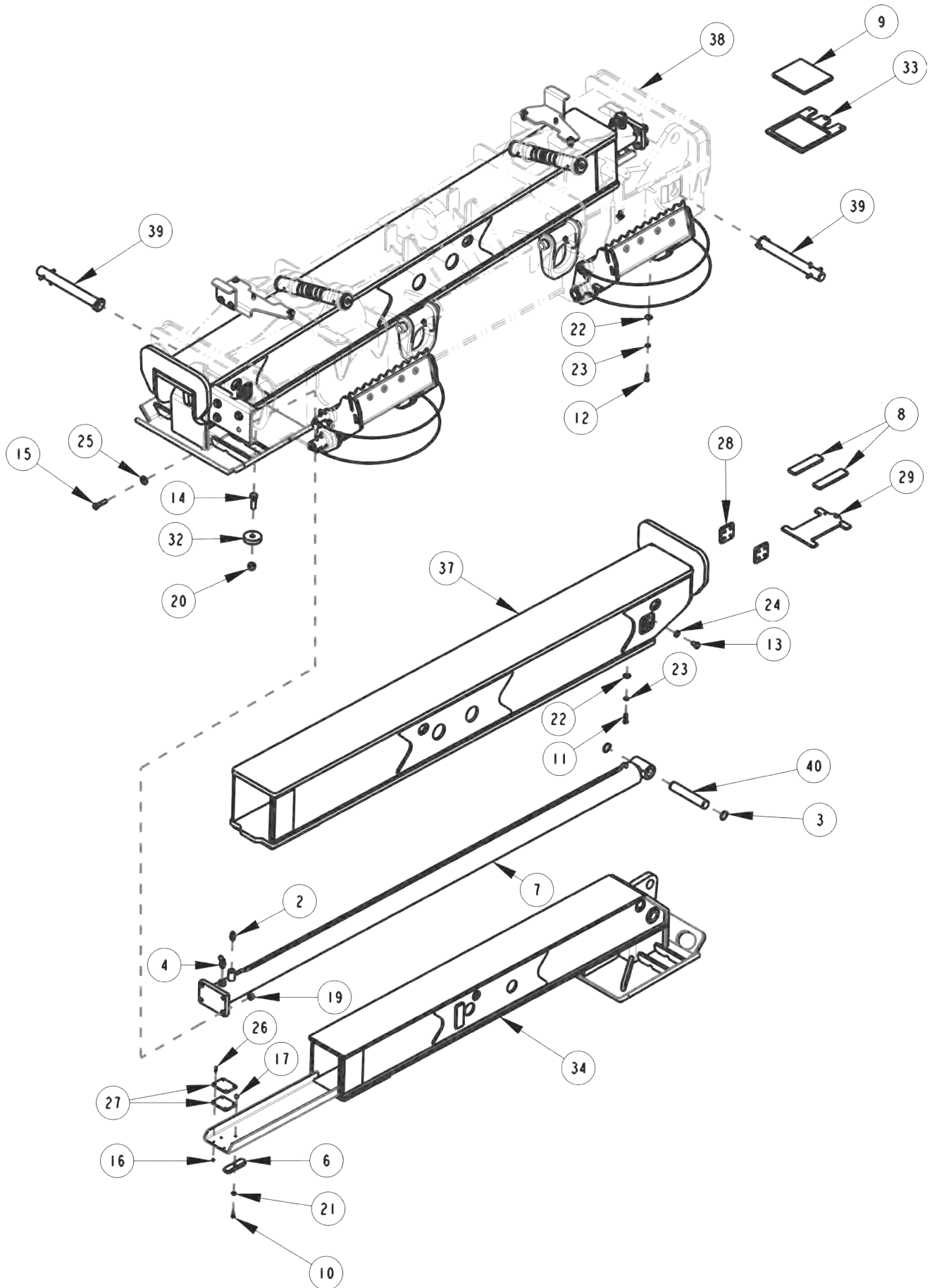
## Section I - PARTS

### HHU OUTRIGGER HORIZONTAL ASSEMBLY

ITEM	PART NUMBER	DESCRIPTION	QTY
--	0911957	3-STAGE REAR OUTRIGGER ASSEMBLY	--
41	0400107	SCREW, 5/16-18X2-1/2 HHC GR5	2
42	0400451	WASHER, 1/4	2
43	0400776	NUT, 5/16-18 JAM LOK	2
44	0719585	D-RING, TOWING	2
45	GA0215	PIN-"D" RING	2
--	0912051	CENTURY SPADE KIT	--
46	0911123	PIN ASSY - SPADE LOCK	2
47	0911124	PIN ASSY - SPADE PIVOT	2
48	0911167	SPADE ASSY - REAR OUTRIGGER	2

# Section I - PARTS

## HHU OUTRIGGER HORIZONTAL ASSEMBLY (BIG FEET)



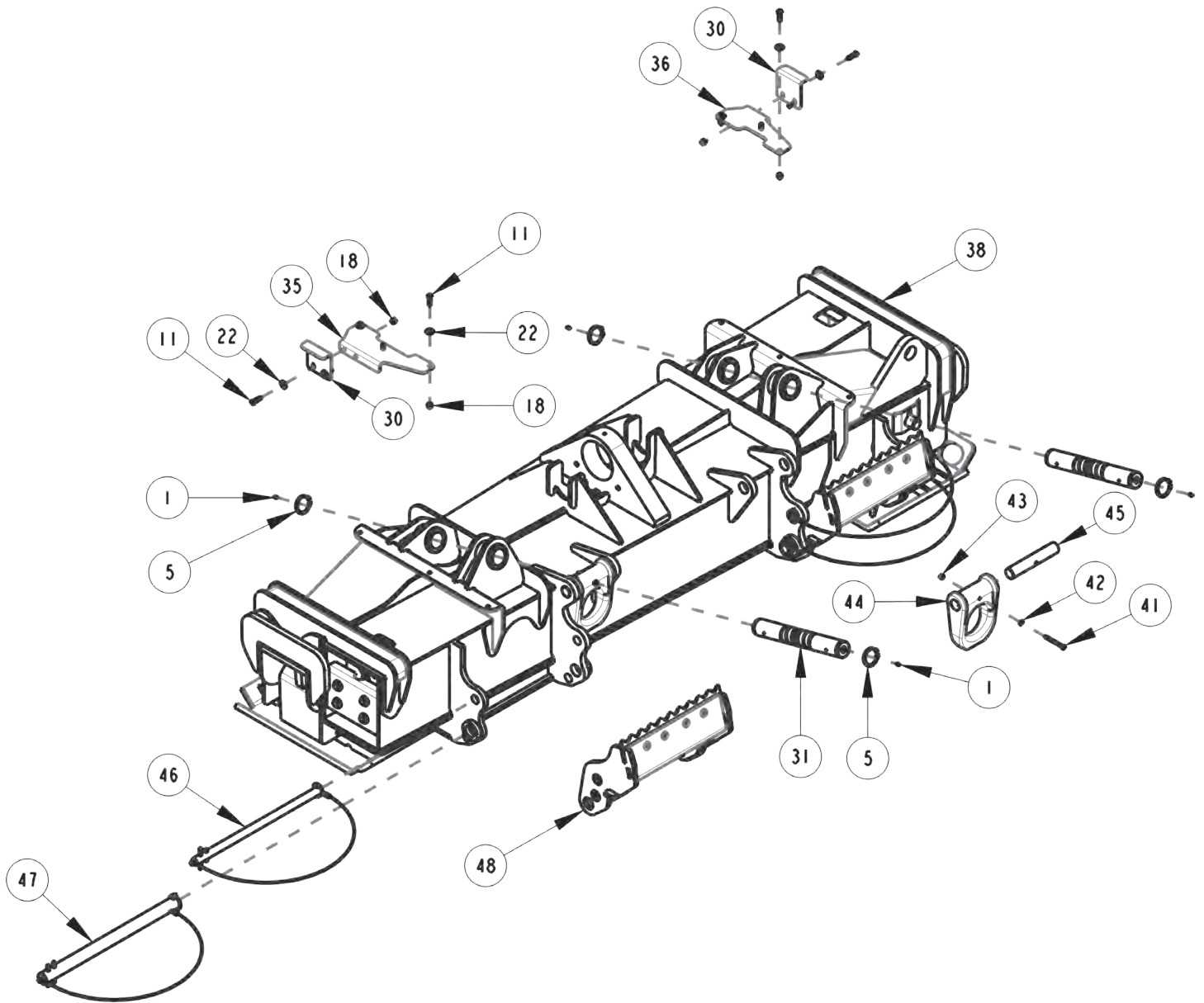
## Section I - PARTS

### HHU OUTRIGGER HORIZONTAL ASSEMBLY (BIG FEET)

ITEM	PART NUMBER	DESCRIPTION	QTY
--	0911653	3-STG REAR OUTRGR ASY BIG FEET	--
1	0300113	GREASE FITTING, 1/4-28 STR	4
2	0301522	FITTING, CONN. 6MJ-6MB	2
3	0301642	SNAP RING, 1-1/4 DIA	4
4	0302509	FITTING, ELB 45 DEG	2
5	0302776	SNAP RING,EXTERNAL 2	4
6	0303490	PAD-WEAR 1/2" X 1" X 4"	2
7	0310396	CYLINDER, HYD. O.R. 3 BORE x 84 STROKE	2
8	0312690	OUTRIGGER WEAR PAD 0.31x1.50x6	4
9	0312691	OUTRIGGER WEAR PAD 0.39x6x6.75	2
10	0400066	SCREW, 1/4-20X3/4 HHC GR5	2
11	0400122	SCREW, 3/8-16X1-1/4 HHC GR5	12
12	0400126	SCREW, 3/8-16X1 HHC GR5	4
13	0400239	SCREW, 1/2-13X3/4 HHC GR5	16
14	0400260	SCREW, 5/8-11X2 HHC GR5	2
15	0400343	SCREW, 1/2-13X2 HHC GR8	8
16	0400351	NUT, 8-32 HEX	8
17	0400367	NUT, 1/4-20 LOK	2
18	0400392	NUT, 3/8-16 LOK	8
19	0400416	NUT, 1/2-13 LOK GR8	8
20	0400421	NUT, 5/8-11 LOK	2
21	0400451	WASHER, 1/4	2
22	0400480	WASHER, 3/8	16
23	0400482	LOCKWASHER, 3/8	8
24	0400491	LOCKWASHER, 1/2	16
25	0400497	WASHER, 1/2 GR8	8
26	0401054	SCREW, 8-32X3/4 PRH SS	8
27	0703277	PAD, SLIDER	4
28	0717869	PLATE, SPACER (BOLT-ON)	4
29	0719462	PLATE - PAD CAGE	2
30	0723140	ANGLE - CAM	2
31	0726316	PIN, OUTRIGGER PIVIT	2
32	0726709	PLATE STOP	2
33	07000610	PLATE, PAD CAGE	2
34	0810336	3RD STG/INNER, BIG FOOT, REAR	2
35	0810511	RH CAM MOUNTING WELDMENT	1
36	0810512	LH CAM MOUNTING WELDMENT	1
37	0810530	OUTRIGGER MID STAGE WELDMENT	2
38	0810590	REAR OUTRIGGER BOX WELDMENT - HHU	1
39	0910190	LOCK PIN ASSEMBLY	4
40	897400002	REAR PIN	2

# Section I - PARTS

## HHU OUTRIGGER HORIZONTAL ASSEMBLY (BIG FEET)



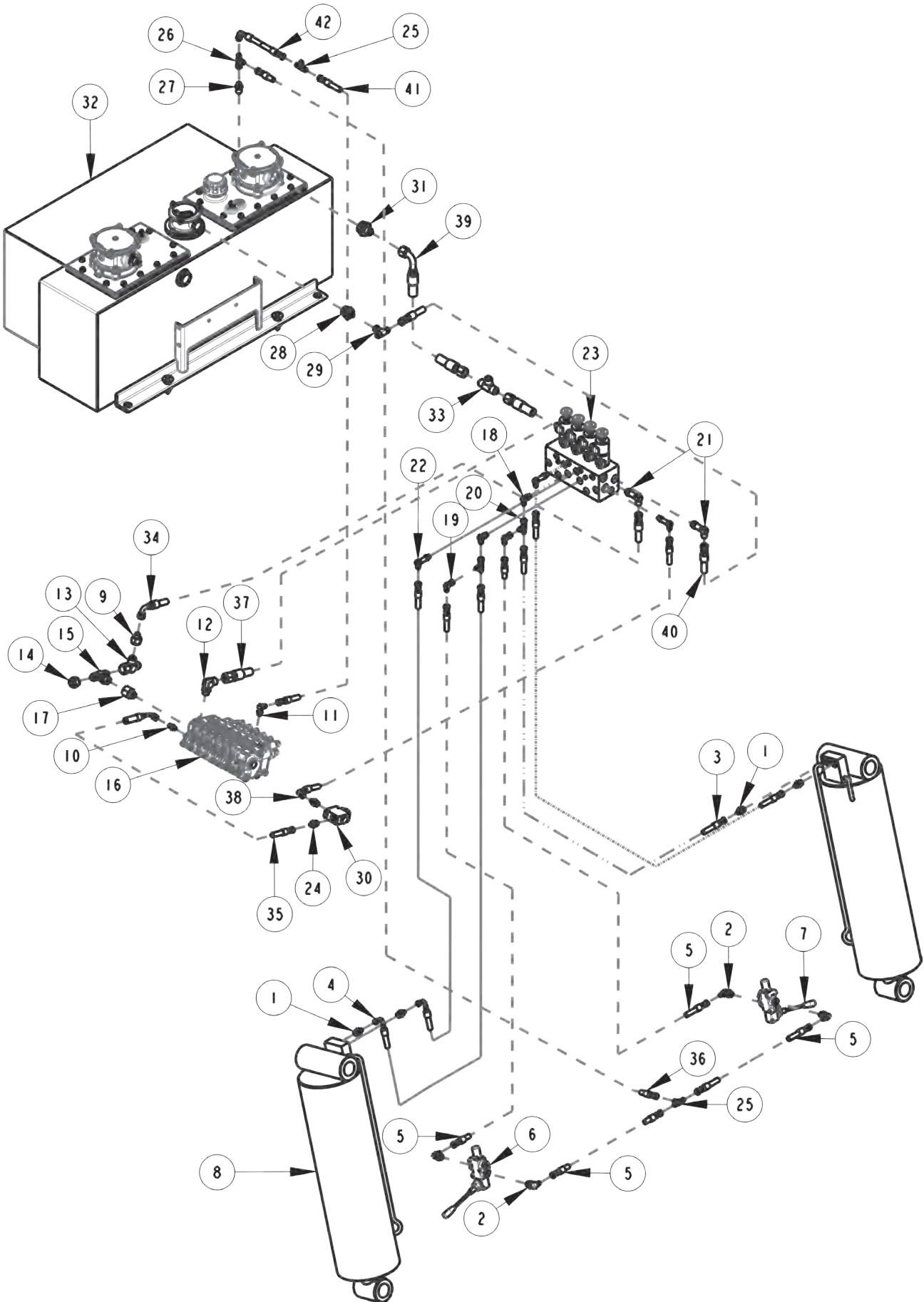
## Section I - PARTS

### HHU OUTRIGGER HORIZONTAL ASSEMBLY (BIG FEET)

ITEM	PART NUMBER	DESCRIPTION	QTY
--	0911957	3-STAGE REAR OUTRIGGER ASSEMBLY	--
41	0400107	SCREW, 5/16-18X2-1/2 HHC GR5	2
42	0400451	WASHER, 1/4	2
43	0400776	NUT, 5/16-18 JAM LOK	2
44	0719585	D-RING, TOWING	2
45	GA0215	PIN-"D" RING	2
--	0912051	CENTURY SPADE KIT	--
46	0911123	PIN ASSY - SPADE LOCK	2
47	0911124	PIN ASSY - SPADE PIVOT	2
48	0911167	SPADE ASSY - REAR OUTRIGGER	2

# Section I - PARTS

## HHU OUTRIGGER (LIFT FUNCTION) HYDRAULICS



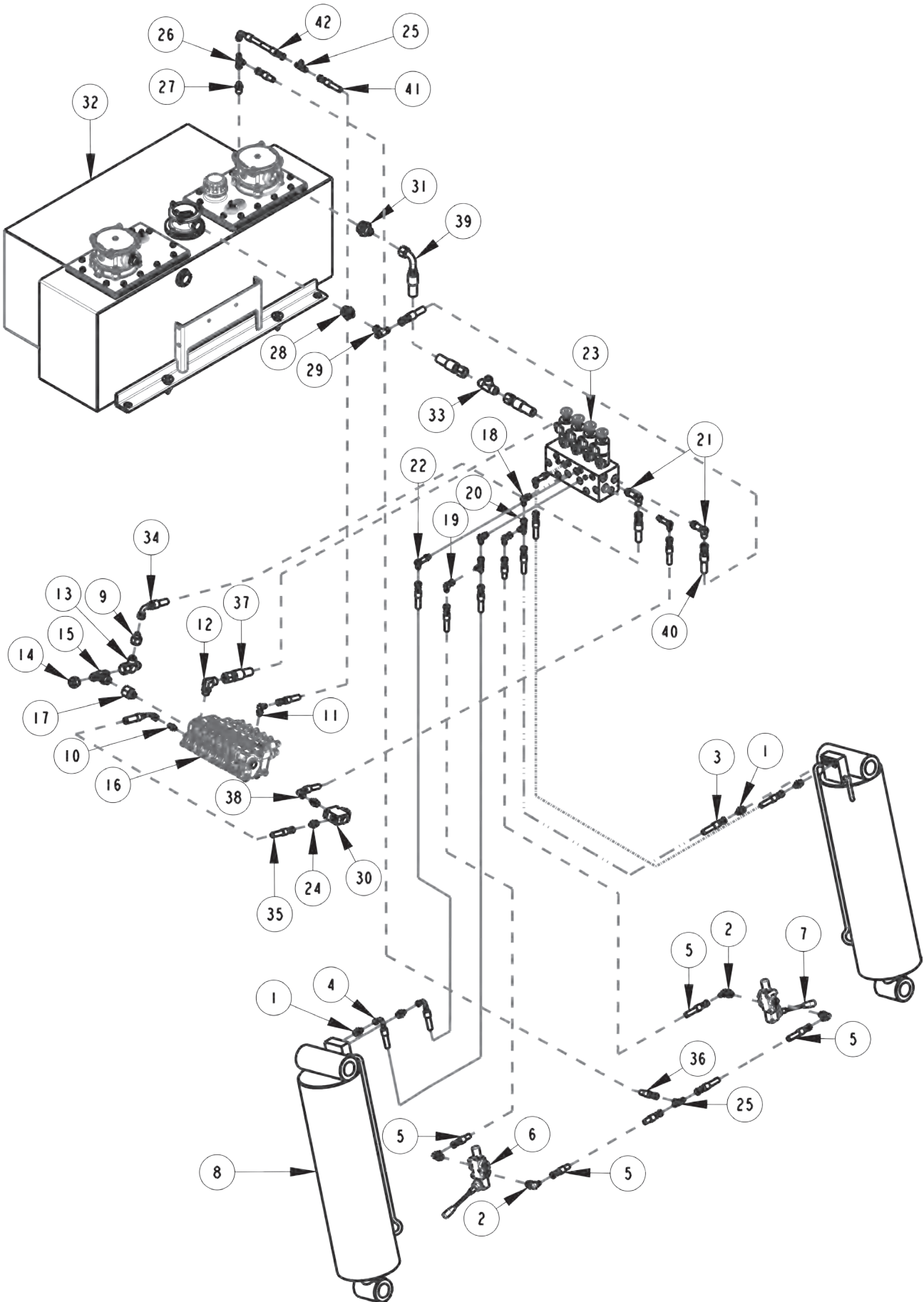
## Section I - PARTS

### HHU OUTRIGGER (LIFT FUNCTION) HYDRAULICS

ITEM	PART NUMBER	DESCRIPTION	QTY
--	0910869	REAR OUTRIGGER INSTALLATION	--
1	0300044	FITT, HYD CONN. 6MJ-8MB	4
2	0301470	FITTING, 90ELB 6MJ-8MB90	4
3	0302632	HOSE, HYDRAULIC 40" LG.	2
4	0303171	HOSE, HYDRAULIC 111" LG.	2
5	0303188	HOSE, HYDRAULIC 75" LG	4
6	0310397	VALVE, DIVERTER WALVOIL	2
7	0310398	HANDLE, DIVERTER VALVE	2
--	0910870	REAR OUTRIGGER INSTALLATION	--
8	0310950	CYL HYD 8 BORE 21 STROK 5K VLV	2
--	0911577	LOWER VALVE ASSEMBLY	--
9	0301372	FITTING, ST.CONN. 12FJ-8MJ	1
10	0301522	FITTING, CONNECTOR 6MJ-6MB	1
11	0301620	FITTING, HYDRAULIC 6MJ - 6MB90	1
12	0302085	FITTING, 90 DEG ADPTER	1
13	0302826	FITTING, TEE	1
14	0302829	FITTING, ADAPTER	2
15	0310520	FITTING, TEE 12MJ-12MJ-12MB	1
16	0311653	VALVE CONTROL 6 SPOOL	1
17	0311712	FITTING ADAPTER STR	1
--	0911581	REAR OUTRIGGER VALVE ASSEMBLY	--
18	0301620	FITTING, HYDRAULIC 6MJ - 6MB90	2
19	0301696	FITTING, ELB 90 DEG 6MJ-6FJX90	2
20	0301781	FITTING, SWV NUT RUN TEE	2
21	0302508	FITTING, ELL 8MJ-8MB 90LL	2
22	0307460	FITTING, HYD 6MJ-6MB90LL	4
23	0311777	VALVE OUTRIGGER	1
--	0911599	SUBFRAME ASSEMBLY	--
24	0300044	FITT, HYD CONN. 6MJ-8MB	2
25	0301377	FITTING, TEE, 3/8" JIC	2
26	0301781	FITTING, TEE, 3/8" JIC	1
27	0302727	FITTING, HYD CONN	3
28	0302757	FITTING, CONN 8MJ - 16MB	1
29	0302796	FITTING, TEE	1
30	0310406	VALVE, SHUTTLE LS10-30-8T-N	1
31	0312398	FITTING 12MJ-20MB	2
32	0911857	TANK ASSEMBLY	1
33	GB330	FITTING, 3/4" JIC TEE	4

# Section I - PARTS

## HHU OUTRIGGER (LIFT FUNCTION) HYDRAULICS





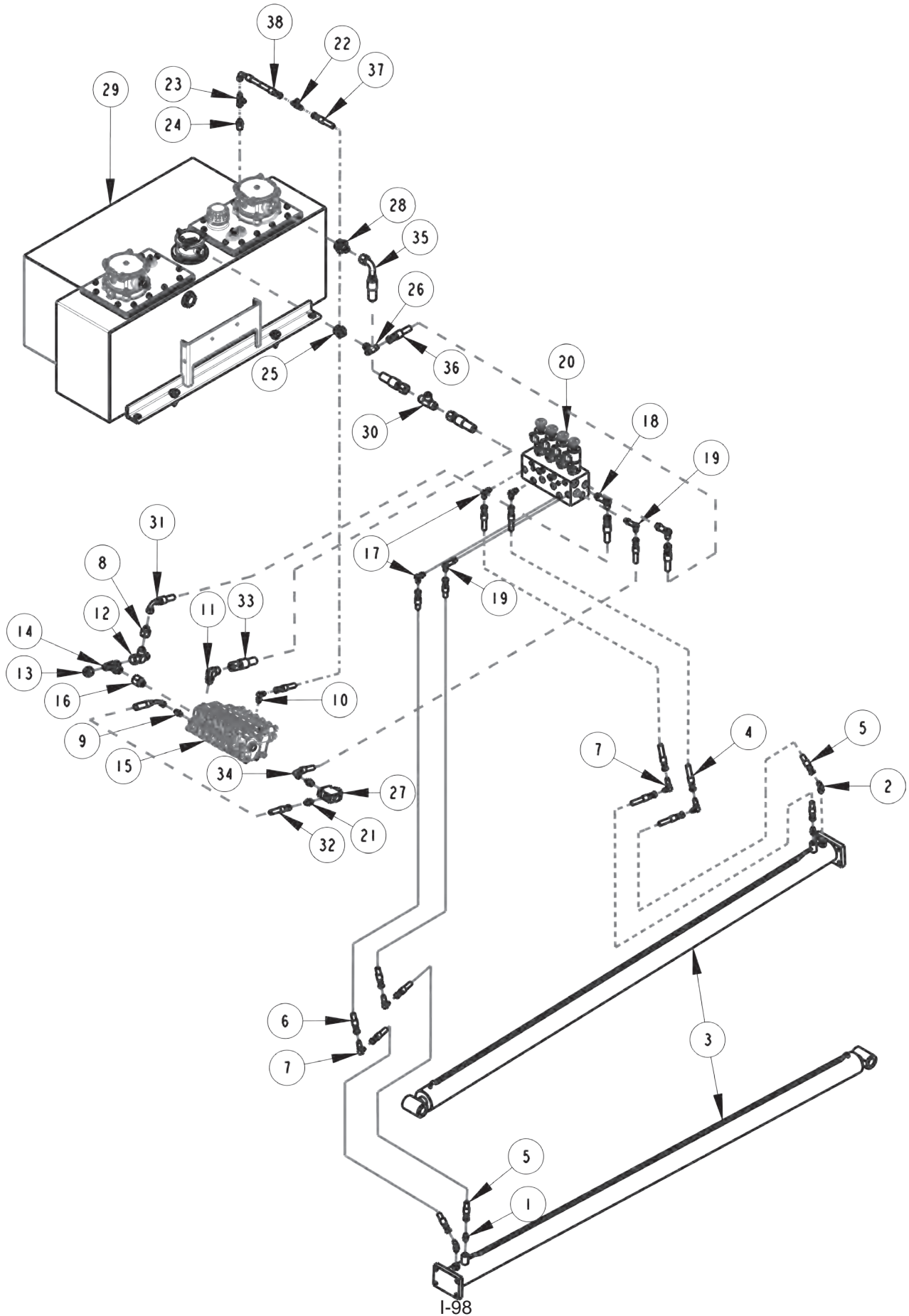
## Section I - PARTS

### HHU OUTRIGGER (LIFT FUNCTION) HYDRAULICS

ITEM	PART NUMBER	DESCRIPTION	QTY
--	0911796	HYDRAULIC HOSE KIT, 1150 XLT	--
34	0301207	HOSE, HYDRAULIC 72" LG	1
35	0301998	HOSE, HYDRAULIC 24" LG	2
36	0302056	HOSE, HYDRAULIC 183" LG	1
37	0302901	HOSE, HYDRAULIC 120" LG 12C12	2
38	0303171	HOSE, HYDRAULIC 111" LG	1
39	0312396	HOSE, HYD. 84" LG (12FJX-12M3K-12FJS90)	2
40	0312603	HOSE, HYD. 231" LG (8FJX-8M3K-8FJX)	1
41	0312609	HOSE, HYD. 138" LG (6FJX-6M3K-6FJX)	1
42	0312898	HOSE, HYD 90 6FJ-6M3K-6FJ90S	1

# Section I - PARTS

## HHU OUTRIGGER (EXTEND FUNCTION) HYDRAULICS



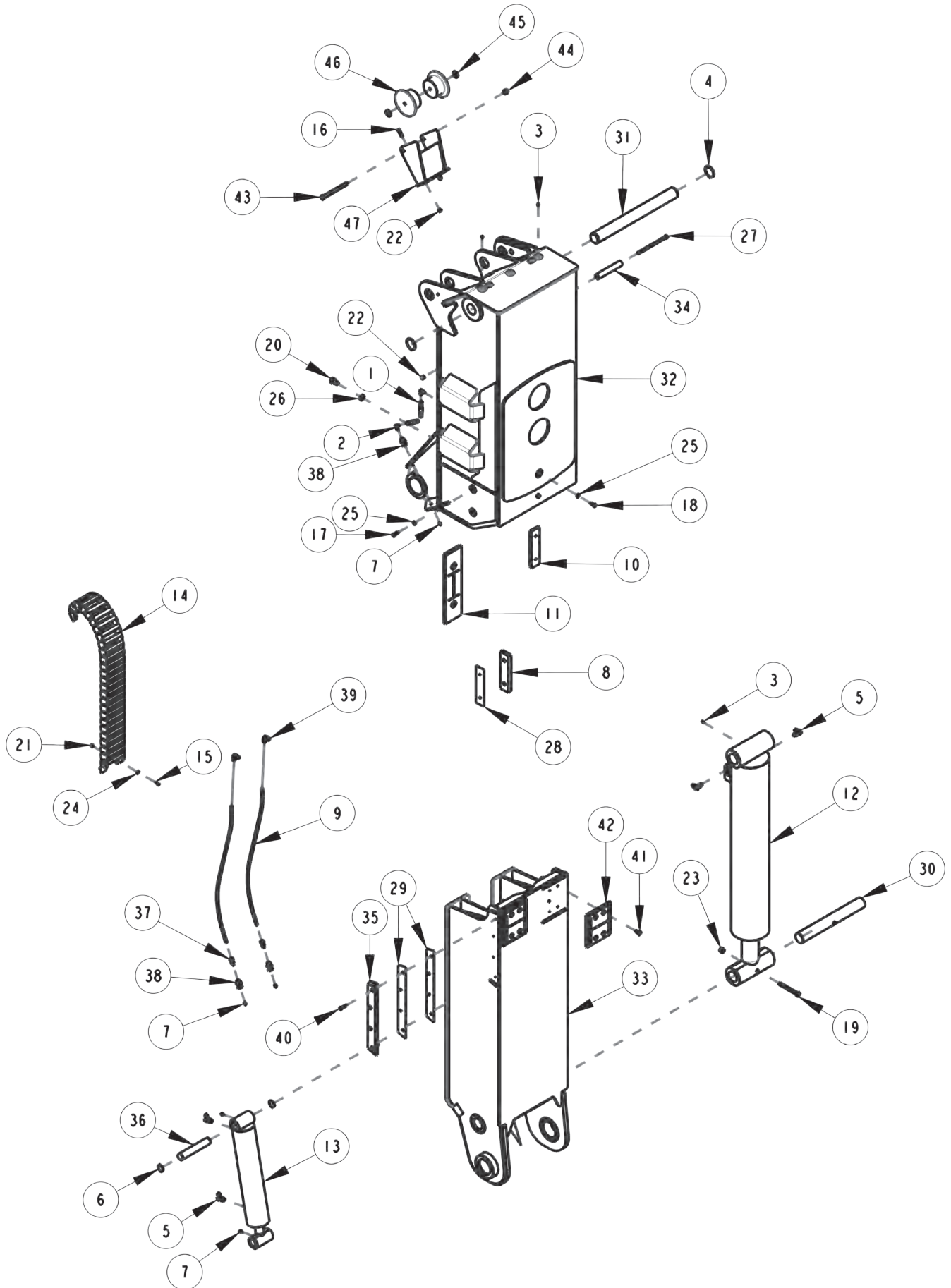
## Section I - PARTS

### HHU OUTRIGGER (EXTEND FUNCTION) HYDRAULICS

ITEM	PART NUMBER	DESCRIPTION	QTY
--	0910868	3-STAGE REAR OUTRIGGER ASSEMBLY	--
--	0911653	3-STAGE REAR OUTRIGGER ASSY BIG FEET	--
1	0301522	FITTING, CONN. 6MJ-6MB	2
2	0302509	FITTING, ELB 45 DEG	2
3	0310396	CYLINDER, HYD. O.R. 3 BORE x 84 STROKE	2
--	0910869	REAR OUTRIGGER INSTALLATION	--
4	0302632	HOSE, HYDRAULIC 40" LG.	2
5	0303185	HOSE, HYDRAULIC 66" LG.	4
6	0303187	HOSE, HYDRAULIC 141" LG	2
7	FC41	FITTING-90DEG BLKHD ELB W/ NUT	4
--	0911577	LOWER VALVE ASSEMBLY	--
8	0301372	FITTING, ST.CONN. 12FJ-8MJ	1
9	0301522	FITTING, CONNECTOR 6MJ-6MB	1
10	0301620	FITTING, HYDRAULIC 6MJ - 6MB90	1
11	0302085	FITTING, 90 DEG ADPTER	1
12	0302826	FITTING, TEE	1
13	0302829	FITTING, ADAPTER	2
14	0310520	FITTING, TEE 12MJ-12MJ-12MB	1
15	0311653	VALVE CONTROL 6 SPOOL	1
16	0311712	FITTING ADAPTER STR	1
--	0911581	REAR OUTRIGGER VALVE ASSEMBLY	--
17	0301620	FITTING, HYDRAULIC 6MJ - 6MB90	2
18	0302508	FITTING, ELL 8MJ-8MB 90LL	2
19	0307460	FITTING, HYD 6MJ-6MB90LL	4
20	0311777	VALVE OUTRIGGER	1
--	0911599	SUBFRAME ASSEMBLY	--
21	0300044	FITT, HYD CONN. 6MJ-8MB	2
22	0301377	FITTING, TEE, 3/8" JIC	1
23	0301781	FITTING, TEE, 3/8" JIC	1
24	0302727	FITTING, HYD CONN	3
25	0302757	FITTING, CONN 8MJ - 16MB	1
26	0302796	FITTING, TEE	1
27	0310406	VALVE, SHUTTLE LS10-30-8T-N	1
28	0312398	FITTING 12MJ-20MB	2
29	0911857	TANK ASSEMBLY	1
30	GB330	FITTING, 3/4" JIC TEE	4
--	0911796	HYDRAULIC HOSE KIT, 1150 XLT	--
31	0301207	HOSE, HYDRAULIC 72" LG	1
32	0301998	HOSE, HYDRAULIC 24" LG	2
33	0302901	HOSE, HYDRAULIC 120" LG 12C12	2
34	0303171	HOSE, HYDRAULIC 111" LG	1
35	0312396	HOSE, HYD. 84" LG (12FJX-12M3K-12FJS90)	2
36	0312603	HOSE, HYD. 231" LG (8FJX-8M3K-8FJX)	1
37	0312609	HOSE, HYD. 138" LG (6FJX-6M3K-6FJX)	1
38	0312898	HOSE, HYD 90 6FJ-6M3K-6FJ90S	1

# Section I - PARTS

## UNDERLIFT MAST ASSEMBLY - HHU



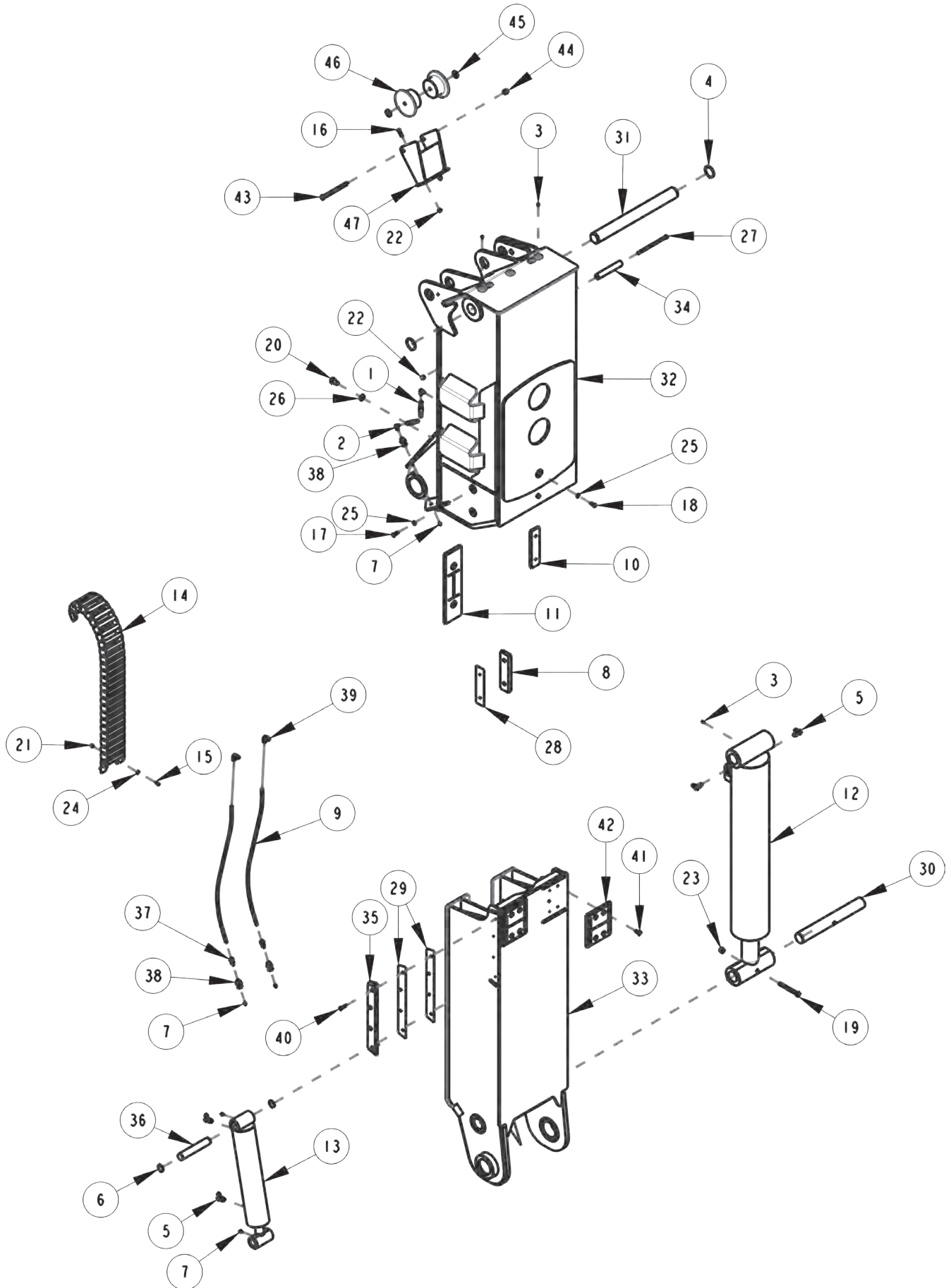
## Section I - PARTS

### UNDERLIFT MAST ASSEMBLY - HHU

ITEM	PART NUMBER	DESCRIPTION	QTY
--	0911182	SDU GREASE HOSE KIT	--
1	0311313	WIRE BRAID GREASE HOSE-48"	2
2	0311344	4MJ X 2MP90 FITTING	4
--	0911885	UNDERLIFT MAST ASSEMBLY HHU STREET	--
--	0911886	UNDERLIFT MAST ASSEMBLY HHU COACH	--
3	0300113	GREASE FITTING,1/4-28 STRAIGHT	6
4	0300329	SNAP RING, EXTERNAL 2	2
5	0301620	FITTING, HYDRAULIC 6MJ - 6MB90	8
6	0301642	SNAP RING, 1-1/4 DIA	2
7	0301895	GREASE FITTING, 1/8 STR PTF	5
8	0301924	SLIDE PAD - BOOM SIDE	1
9	0301949	3/8" OD SYNDFLEX HOSE 100'	14.5 FT
10	0303892	SLIDE PAD-BOOM-SIDE	1
11	0307351	SLIDE-PAD SDU/2 U/L	2
12	0310920	CYLINDER, SDU LIFT	1
13	0310921	CYLINDER, HYD LIFT	1
14	0312574	CARRIER - HHU HOSE	1
15	0400066	SCREW, 1/4-20X3/4 HHC GR5	4
16	0400122	SCREW, 3/8-16X1-1/4 HHC GR5	2
17	0400126	SCREW, 3/8-16X1 HHC GR5	4
18	0400141	SCREW, 3/8-16X7/8 HHC GR5	2
19	0400219	SCREW, 1/2-13X4-1/2 HHC GR5	1
20	0400248	SCREW, 5/8-11X1 HHC GR8	4
21	0400367	NUT, 1/4-20 LOK	4
22	0400392	NUT, 3/8-16 LOK	1
23	0400408	NUT, 1/2-13 LOCK	1
24	0400451	WASHER, 1/4	4
25	0400482	LOCKWASHER 3/8	6
26	0400508	LOCKWASHER 5/8	4
27	0400786	SCREW, 3/8-16X7 HHC GR8	1
28	0703734	SHIM, SIDE PLATE OUTER BOOM	2
29	0718912	SHIM, VERTICAL BOOM GUIDE	2
30	0722413	PIN - LIFT CYLINDER	1
31	0723634	PIN-LIFT CYL	1
32	0807774	MAST WELDMENT, OUTER HHU	1
33	0810368	INNER MAST WELDMENT - HHU	1
34	3116-744004	ROLLER, TENSION	1
35	805040011	VERTICAL BOOM GUIDE PAD	2
36	897400002	REAR PIN	1
37	9012549	CONNECTOR-MALE 3/8TUBEX1	2
38	9012552	BULKHEAD ADAPTER 1/8M-1/8F NPT	2
39	9012584	ELBOW-1/4NPT X 3/8TUBE 9	2
40	9043973	5/16-18X1 1/2 FL.HD.SOC.	8
41	9044434	3/8-16X1 NC FLAT SOCKET HD CAP	4
42	945030004	UPPER WEAR PAD-RECOVERY	2

# Section I - PARTS

## UNDERLIFT MAST ASSEMBLY - HHU (cont'd)



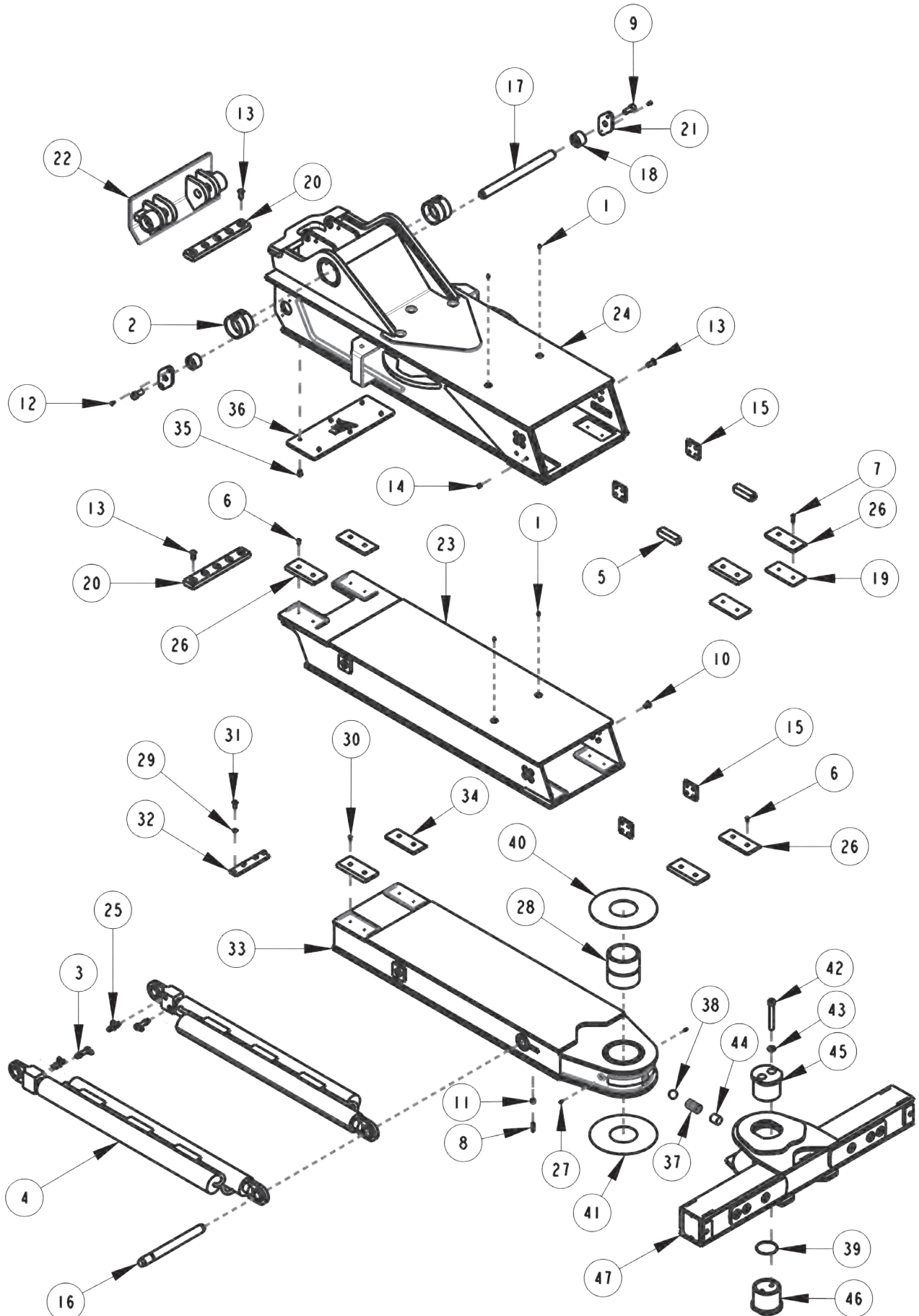
## Section I - PARTS

### UNDERLIFT MAST ASSEMBLY - HHU (cont'd)

ITEM	PART NUMBER	DESCRIPTION	QTY
--	0911888	HHU HOSE TRACK ROLLER ASSEMBLY	--
43	0400180	SCREW, 1/2-13X6 HHC GR5	1
44	0400408	NUT, 1/2-13 LOK	1
45	0703488	WASHER, HOSE TENS PULLEY	2
46	0726465	ROLLER - HOSE TRACK	2
47	0810474	HHU ROLLER BRACKET	1

# Section I - PARTS

## HORIZONTAL BOOM ASSEMBLY - HHU (STREET LOWRIDER)





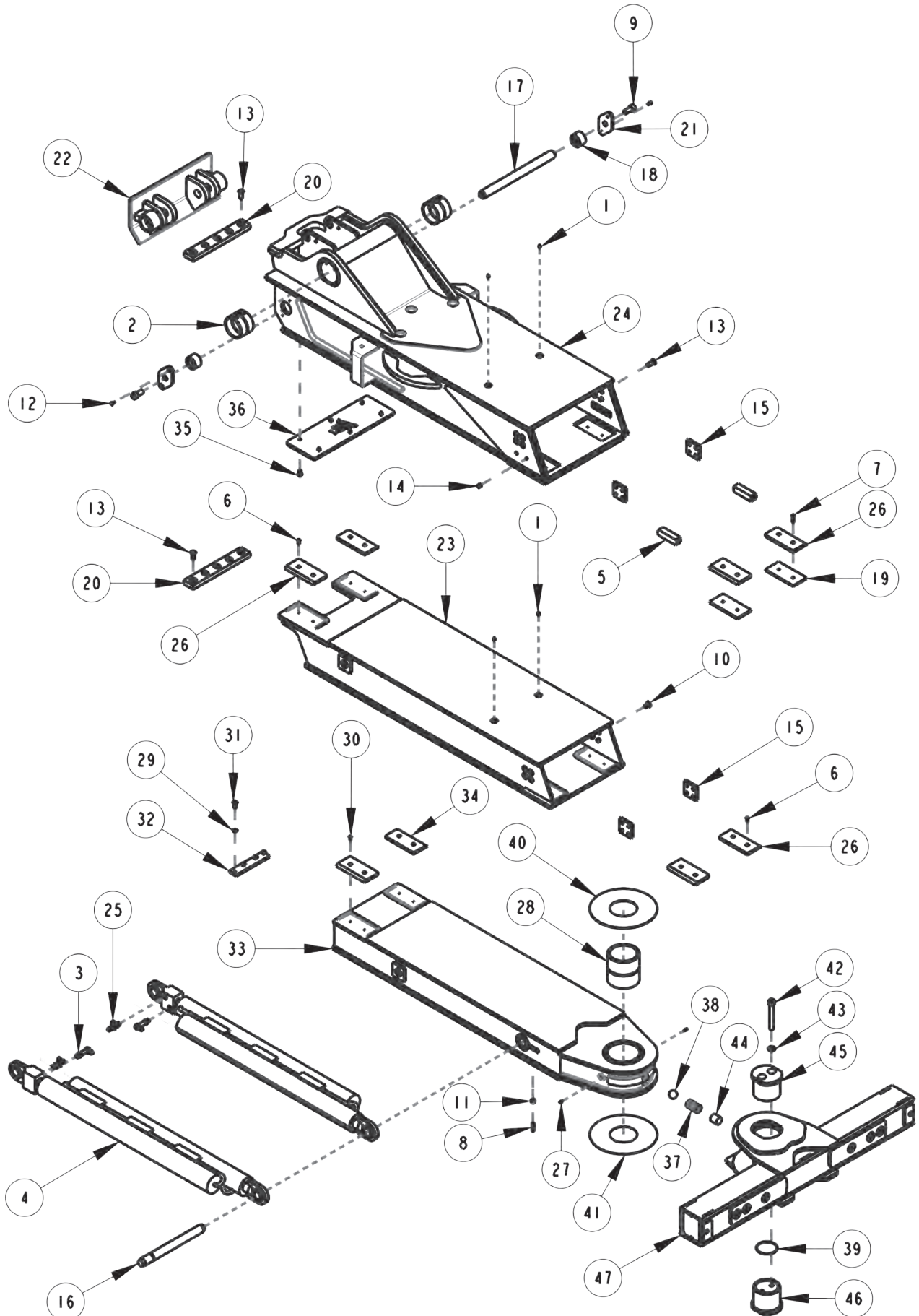
## Section I - PARTS

### HORIZONTAL BOOM ASSEMBLY - HHU (STREET LOWRIDER)

ITEM	PART NUMBER	DESCRIPTION	QTY
--	0911692	LOWRIDER ASSY - SDU/4 STREET 100K	--
1	0300113	GREASE FITTING, 1/4-28 STR	4
2	0302538	BUSHING - U/L	2
3	0307460	FITTING, HYD 6MJ-6MB90LL	2
4	0311171	CYLINDER, SHORT 7035 LOWRIDER	2
5	0311608	WEAR PAD (1 x 1 x 4)	2
6	0400079	SCREW, 1/4-20X3/4 FHS GR5	8
7	0400086	SCREW, 1/4-20X1-1/4 FHS	4
8	0400139	SET SCREW, 3/8-16X1-1/2 SOC	1
9	0400249	SCREW, 5/8-11X1-1/4 SHC	2
10	0400344	SCREW, 1/2-13X3/4 FHS GR8	8
11	0400392	NUT, 3/8-16 LOCK	1
12	0400594	SCREW, 1/4-20X5/8 FHS	4
13	0400749	SCREW, 1/2-13X1-1/4 FHS	18
14	0400990	SET SCREW, 1/2-13X1/2 SOC	4
15	0717869	PLATE, SPACER (BOLT-ON)	4
16	0717871	PIN, CYL. ROD	1
17	0717872	PIN, EXTEND CYL. BASE	1
18	0717873	PIN, SHEAR OUTER BOOM	2
19	0718087	PLATE - PAD SPACER	2
20	0718096	BLOCK, STOP	2
21	0724419	PLATE-PLUG RETAINER	2
22	0807572	BRACKET - EXTEND CYLINDER	1
23	0810143	2ND STAGE BOOM WELDMENT-100K LOWRIDER	1
24	0810354	HHU STREET LOWRIDER OUTER VER. 2	1
25	9012594	FITT, HYD RUN TEE, 6MJx6MBx6MJ	2
26	930150003	TOP PADS	6
--	0911180	INNER BOOM ASSEMBLY STREET 100K	--
27	0300113	GREASE FITTING, 1/4-28 STR	2
28	0303088	BUSHING - PIVOT PIN	1
29	0400483	LOCKWASHER 3/8 CET	4
30	0400594	SCREW, 1/4-20X5/8 FHS	4
31	0400653	SCREW, 3/8-24X1 FHS	4
32	0706996	PAD, SPACER	1
33	0810060	7035 SHORT 100K LOWRIDER INNER	1
34	930150003	TOP PADS	2
--	124004467	ALUM HEEL PLATE 17" STREET LOWRIDER	--
35	0400155	SCREW, 3/8-16X3/4 FHS	6
36	0724686	UNDERLIFT HEEL BOARD-4 LRIDER	1

# Section I - PARTS

## HORIZONTAL BOOM ASSEMBLY - HHU (STREET LOWRIDER) (cont'd)

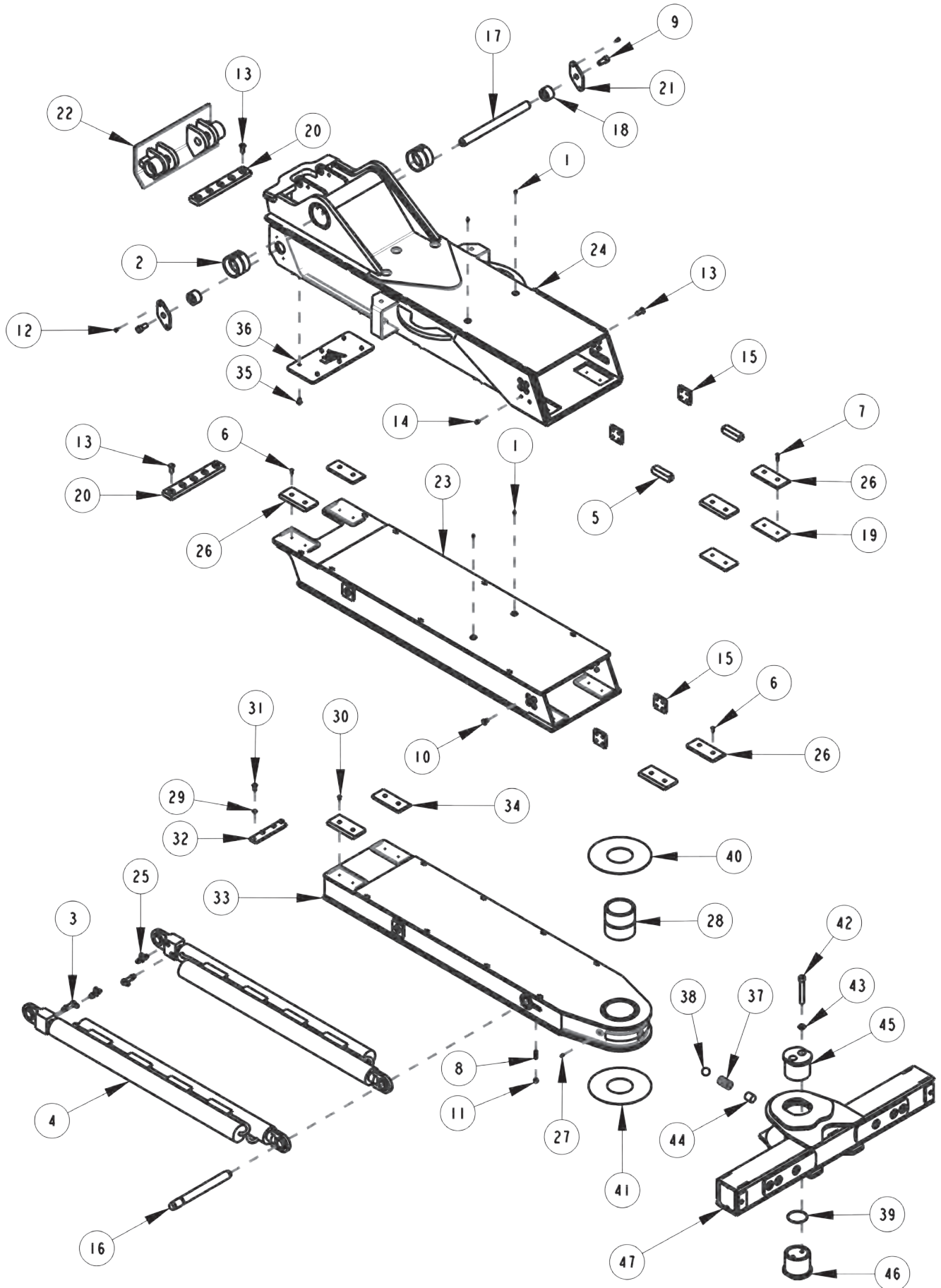


**Section I - PARTS****HORIZONTAL BOOM ASSEMBLY - HHU (STREET LOWRIDER) (cont'd)**

ITEM	PART NUMBER	DESCRIPTION	QTY
--	0910935	XBAR ASSY HARDWARE - XHD 5X5 CENTURY	--
37	0301197	COMPRESSION SPRING, CROSSBAR, FI	1
38	0301398	STEEL BALL, 1-3/16 DIA	1
39	0301822	O-RING - PIVOT PIN	1
40	0303097	THRUST WASHER - 1/8 THK	1
41	0303098	THRUST WASHER - 1/16 THK	2
42	0400271	SCREW, 5/8-11X4-1/2 HHC	2
43	0400508	LOCKWASHER 5/8	2
44	0708470	SPACER, DETENT BALL SPRG	1
45	0724980	PIN-TOP HALF PIVOT	1
46	0724981	PIN-BOTTOM HALF PIVOT	1
47	0807124	CROSSBAR WELDMENT 25K, CENTURY	1

# Section I - PARTS

## HORIZONTAL BOOM ASSEMBLY - HHU (COACH LOWRIDER)



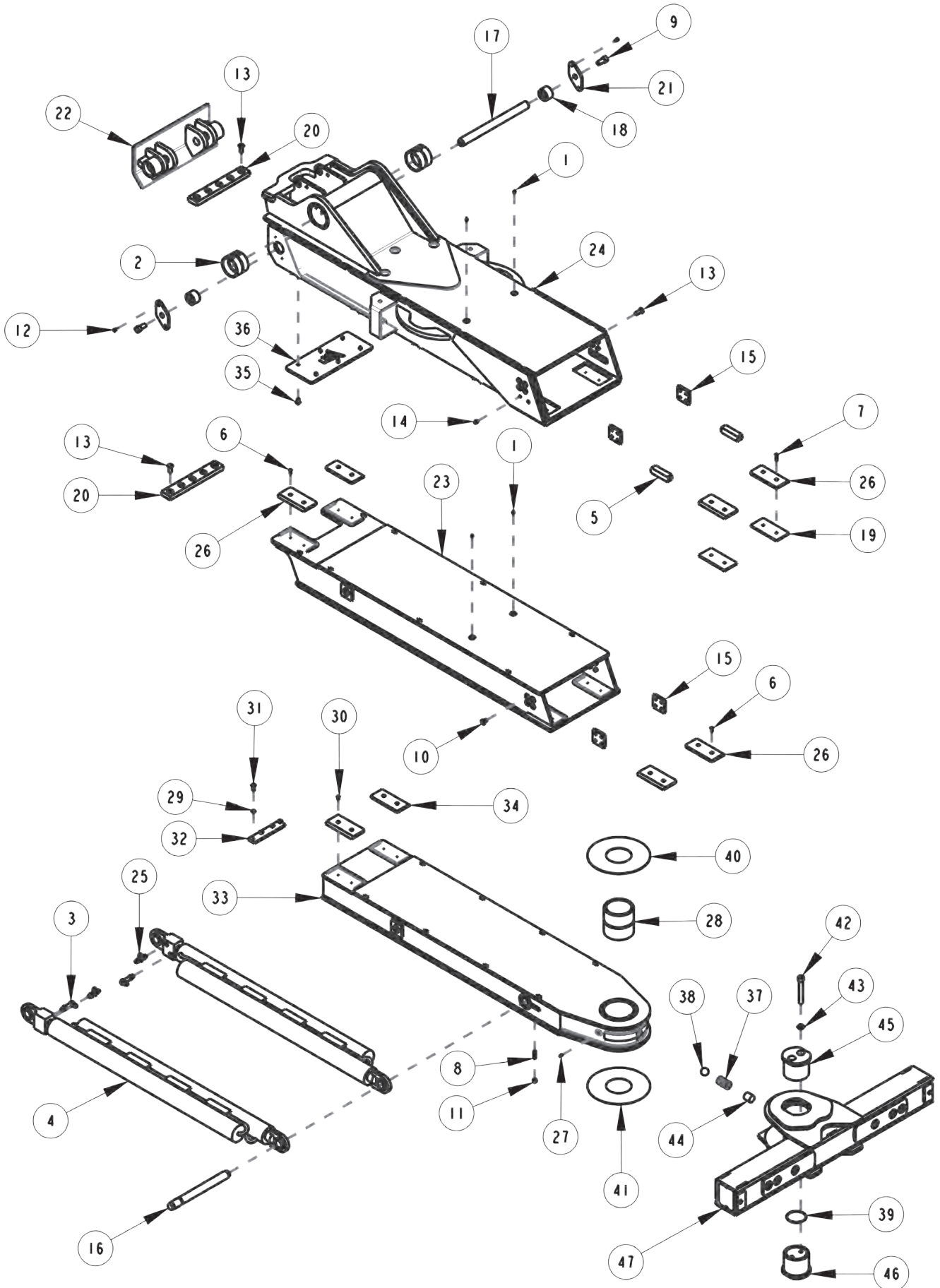
## Section I - PARTS

### HORIZONTAL BOOM ASSEMBLY - HHU (COACH LOWRIDER)

ITEM	PART NUMBER	DESCRIPTION	QTY
--	0911693	HHU COACH LOWRIDER ASSEMBLY VER. 2	--
1	0300113	GREASE FITTING, 1/4-28 STR	6
2	0302538	BUSHING - U/L	2
3	0307460	FITTING, HYD 6MJ-6MB90LL	2
4	0310629	CYL, HYD - U/L BOOM EXTEND	2
5	0311608	WEAR PAD (1 x 1 x 4)	2
6	0400079	SCREW, 1/4-20X3/4 FHS GR5	8
7	0400086	SCREW, 1/4-20X1-1/4 FHS	4
8	0400139	SET SCREW, 3/8-16X1-1/2 SOC	1
9	0400249	SCREW, 5/8-11X1-1/4 SHC	2
10	0400344	SCREW, 1/2-13X3/4 FHS GR8	8
11	0400392	NUT, 3/8-16 LOCK	1
12	0400594	SCREW, 1/4-20X5/8 FHS	4
13	0400749	SCREW, 1/2-13X1-1/4 FHS	18
14	0400990	SET SCREW, 1/2-13X1/2 SOC	4
15	0717869	PLATE, SPACER (BOLT-ON)	4
16	0717871	PIN, CYL. ROD	1
17	0717872	PIN, EXTEND CYL. BASE	1
18	0717873	PIN, SHEAR OUTER BOOM	2
19	0718087	PLATE - PAD SPACER	2
20	0718096	BLOCK, STOP	2
21	0724419	PLATE-PLUG RETAINER	2
22	0807572	BRACKET - EXTEND CYLINDER	1
23	0810137	2nd STAGE BOOM WLMT	1
24	0810355	HHU COACH LWRDR OTR VER2	1
25	9012594	FITT, HYD RUN TEE, 6MJx6MBx6MJ	2
26	930150003	TOP PADS	6
--	0910476	INNER BOOM ASSEMBLY	--
27	0300113	GREASE FITTING, 1/4-28 STR	2
28	0303088	BUSHING - PIVOT PIN	1
29	0400483	LOCKWASHER 3/8 CET	4
30	0400594	SCREW, 1/4-20X5/8 FHS	4
31	0400653	SCREW, 3/8-24X1 FHS	4
32	0706996	PAD, SPACER	1
33	0807574	BOOM - 3rd STAGE WLMT U/L	1
34	930150003	TOP PADS	2
--	124004464	ALUM HEEL PLATE-14" SDU4&COACH	--
35	0400155	SCREW, 3/8-16X3/4 FHS	6
36	0724683	U/L HEEL POLISHED-LOWRIDER	1

# Section I - PARTS

## HORIZONTAL BOOM ASSEMBLY - HHU (COACH LOWRIDER) (cont'd)



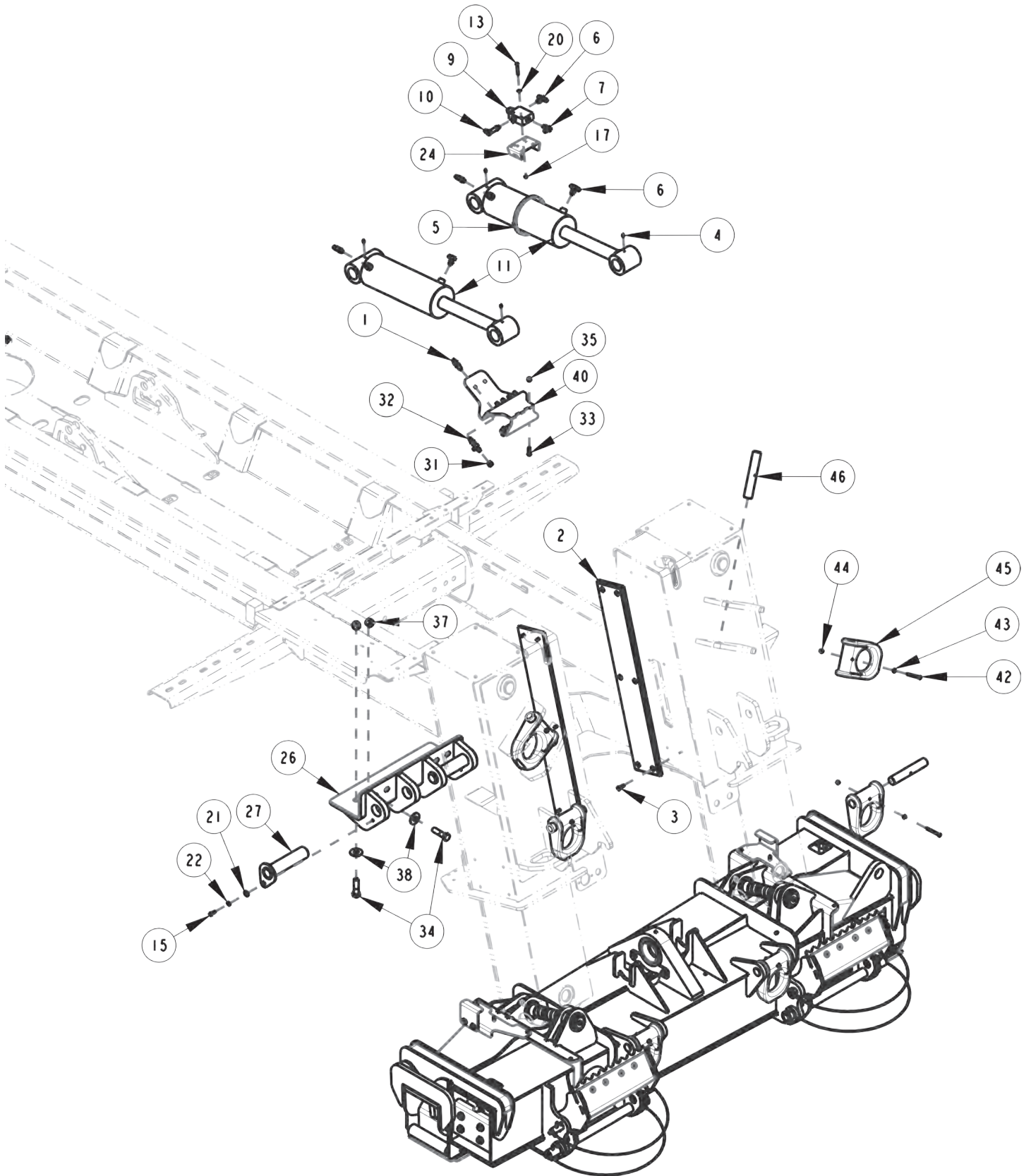
**Section I - PARTS****HORIZONTAL BOOM ASSEMBLY - HHU (COACH LOWRIDER) (cont'd)**

ITEM	PART NUMBER	DESCRIPTION	QTY
--	0910935	XBAR ASSY HARDWARE - XHD 5X5 CENTURY	--
37	0301197	COMPRESSION SPRING, CROSSBAR, FI	1
38	0301398	STEEL BALL, 1-3/16 DIA	1
39	0301822	O-RING - PIVOT PIN	1
40	0303097	THRUST WASHER - 1/8 THK	1
41	0303098	THRUST WASHER - 1/16 THK	2
42	0400271	SCREW, 5/8-11X4-1/2 HHC	2
43	0400508	LOCKWASHER 5/8	2
44	0708470	SPACER, DETENT BALL SPRG	1
45	0724980	PIN-TOP HALF PIVOT	1
46	0724981	PIN-BOTTOM HALF PIVOT	1
47	0807124	CROSSBAR WELDMENT 25K, CENTURY	1



# Section I - PARTS

## UNDERLIFT INSTALLATION - HHU (STREET/COACH LOWRIDER)





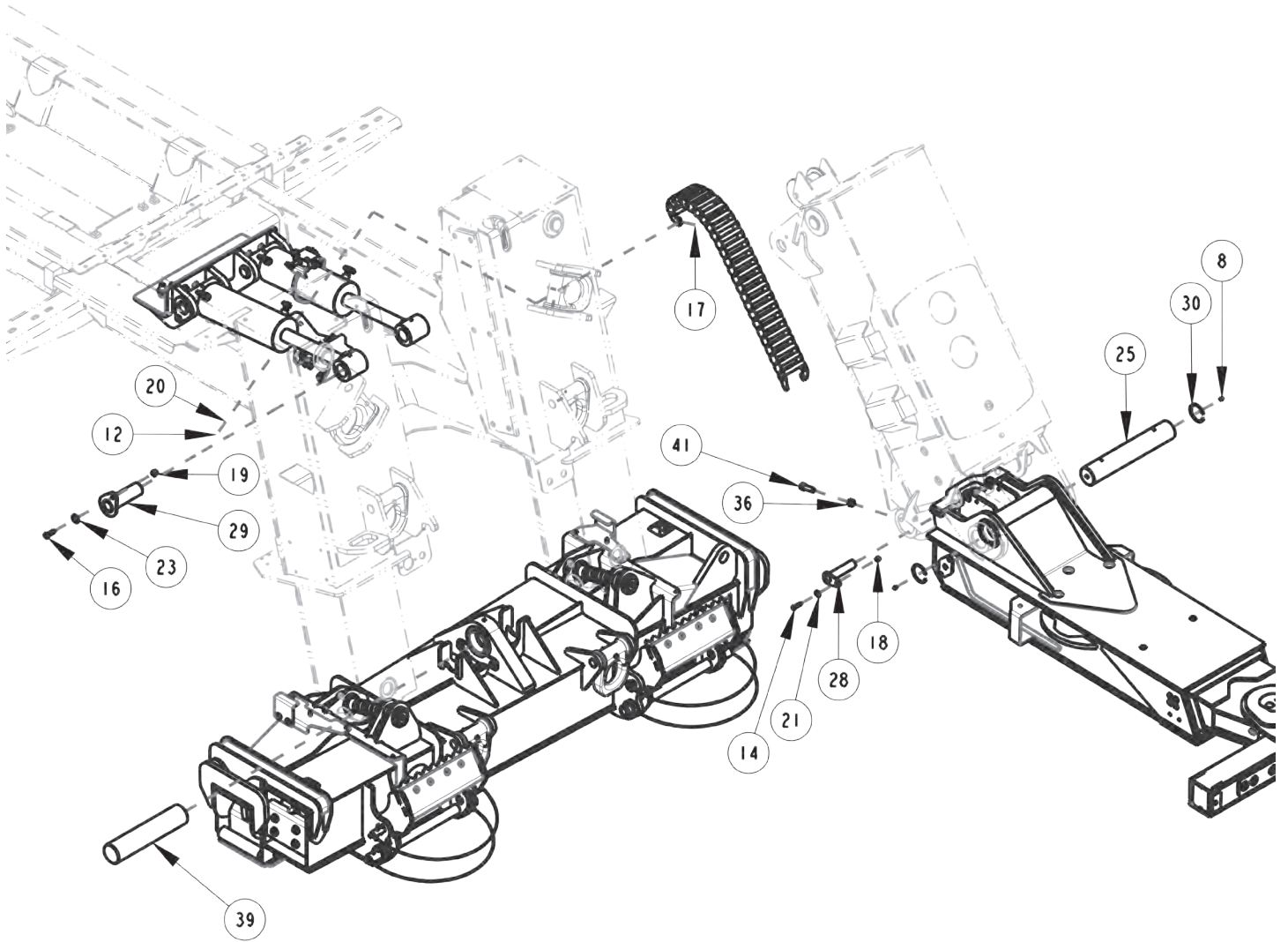
## Section I - PARTS

### UNDERLIFT INSTALLATION - HHU (STREET/COACH LOWRIDER)

ITEM	PART NUMBER	DESCRIPTION	QTY
--	0910869	REAR OUTRIGGER INSTALLATION	--
1	0310480	FITTING - BULKHEAD -6 UNION	4
--	0911599	SUBFRAME ASSEMBLY	--
2	0311303	SLIDE PAD-HHU TAILGATE SIDE	2
3	0400128	SCREW, 3/8-16X1-1/4 FHS GR8	12
--	0911885	UNDERLIFT MAST ASSEMBLY HHU STREET	--
--	0911886	UNDERLIFT MAST ASSEMBLY HHU COACH	--
4	0300113	GREASE FITTING, 1/4-28 STR	6
5	0300365	CLAMP,CHECK VALVE RET.7	1
6	0301619	FITT, 6MJ-6MJ-6MB BRANCH TEE	3
7	0301620	FITTING, HYDRAULIC 6MJ - 6MB90	7
8	0301895	GREASE FITTING, 1/8 STR PTF	2
9	0307107	VALVE, HOLDING 4000 PSI SAE	1
10	0307460	FITTING, HYD 6MJ-6MB90LL	1
11	0311242	CYLINDER-TILT SDU/4	2
12	0400066	SCREW, 1/4-20X3/4 HHC GR5	2
13	0400078	SCREW, 1/4-20X2 HHC GR5	2
14	0400132	SCREW, 3/8-16X1-1/2 HHC GR5	2
15	0400141	SCREW, 3/8-16X7/8 HHC GR5	2
16	0400181	SCREW, 1/2-13X1-1/2 HHC GR5	2
17	0400367	NUT, 1/4-20 LOK	4
18	0400392	NUT, 3/8-16 LOK	1
19	0400408	NUT, 1/2-13 LOK	2
20	0400451	WASHER, 1/4	4
21	0400480	WASHER, 3/8	2
22	0400482	LOCKWASHER, 3/8	2
23	0400492	WASHER, 1/2	2
24	0703001	BRKT, MTG CHECK VALVE	1
25	0724401	PIN-HHU/LDU U/L MAIN	1
26	0807777	TILT CYL BRKT WLDMT	1
27	0807778	TILT CYL PIN WLDMT	2
28	0807779	FOLD CYL PIN WLDMT	1
29	924902000	LOWER PIN WELD'T	2
30	HD0152	SNAP RING, 3" INTERNAL	2
--	0911887	UNDERLIFT INSTALLATION HHU 1150	--
31	0302065	FITTING, 6-FJ CAP	2
32	0302575	FITTING-BULKHEAD RUN TEE	2
33	0400122	SCREW, 3/8-16X1-1/4 HHC GR5	2
34	0400286	SCREW, 3/4-10X2-3/4 HHC GR8	8
35	0400392	NUT, 3/8-16 LOK	2
36	0400424	NUT, 5/8-18 HEX	2
37	0400430	NUT, 3/4-10 LOK	8
38	0400489	WASHER, 3/4 SAE GR8	8
39	0723633	SHAFT U/L PIVOT	1
40	0810473	HHU BULKHEAD BRACKET	1
41	9043605	5/8-18 X 2 SOC HD CAP	2

# Section I - PARTS

## UNDERLIFT INSTALLATION - HHU (STREET/COACH LOWRIDER) (cont'd)

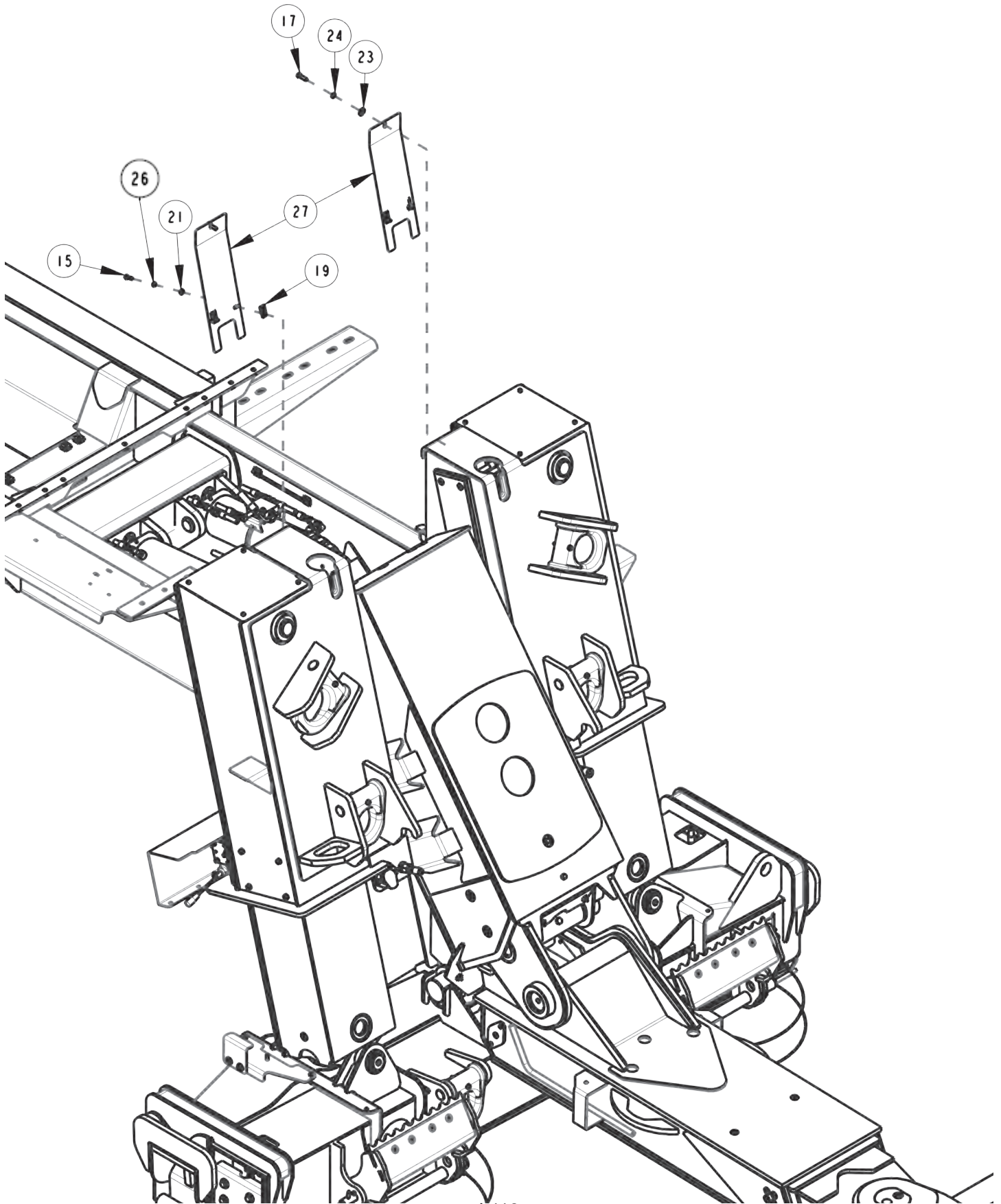


**Section I - PARTS****UNDERLIFT INSTALLATION - HHU (STREET/COACH LOWRIDER) (cont'd)**

ITEM	PART NUMBER	DESCRIPTION	QTY
--	0911957	KIT, D-RING PARTS	--
--	0911959	KIT, DRING PARTS W/SPACER WASH	--
42	0400107	SCREW, 5/16-18X2-1/2 HHC GR5	4
43	0400451	WASHER, 1/4	4
44	0400776	NUT, 5/16-18 JAM LOK	4
45	0719585	D-RING, TOWING	4
--	0727124	TAILGATE D-RING SPACER (used as req'd)	8
46	GA0215	PIN-"D" RING	4

# Section I - PARTS

## LOWER CONTROL & HHU VALVE INSTALLATION WITH COVERS



## Section I - PARTS

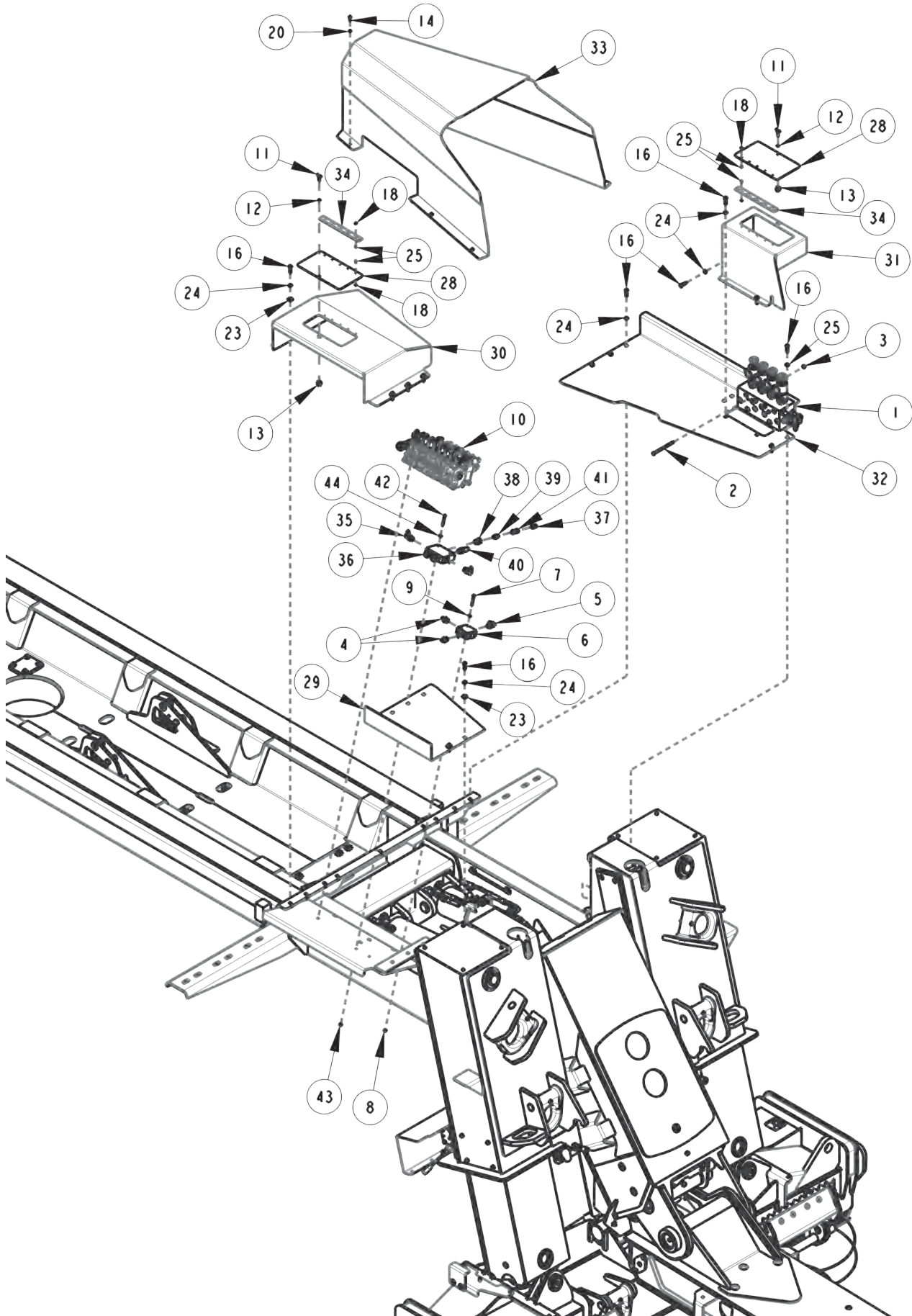
### LOWER CONTROL & HHU VALVE INSTALLATION WITH COVERS

ITEM	PART NUMBER	DESCRIPTION	QTY
--	0910869	REAR OUTRIGGER INSTALLATION	--
1	0311777	VALVE OUTRIGGER	1
2	0400231	SCREW, 3/8-16X5 HHC GR5	2
3	0400392	NUT, 3/8-16 LOK	2
--	0911599	SUBFRAME ASSEMBLY	--
4	0300044	FITT, HYD CONN. 6MJ-8MB	2
5	0301470	FITTING, 90ELB 6MJ-8MB90	2
6	0310406	VALVE, SHUTTLE LS10-30-8T-N	1
7	0400078	SCREW, 1/4-20X2 HHC GR5	2
8	0400367	NUT, 1/4-20 LOK	2
9	0400451	WASHER, 1/4	2
10	0911577	LOWER VALVE ASSEMBLY	1
--	0911600	COMMON COVER KIT	--
11	0311901	FASTNER-WING HEAD QTR TURN	3
12	0311902	RETAINER SOUTHCO 85-34-201-20	3
13	0311903	RECEPTICLE-QTR TURN-SOUTHCO	3
14	0400066	SCREW, 1/4-20X3/4 HHC GR5	8
15	0400109	SCREW, 5/16-18X1 HHC GR5	4
16	0400122	SCREW, 3/8-16X1-1/4 HHC GR5	10
17	0400132	SCREW, 3/8-16X1-1/2 HHC GR5	3
18	0400351	NUT, 8-32 HEX	30
19	0400379	NUT, 5/16-18 SPR J	8
20	0400452	LOCKWASHER, 1/4	8
21	0400463	WASHER, 5/16	4
22	0400464	LOCKWASHER, 5/16	10
23	0400480	WASHER, 3/8	10
24	0400482	LOCKWASHER, 3/8	3
25	0402085	0402085	30
26	0402118	LOCKWASHER, 5/16 SS	10
27	0723636	PLATE-CHAIN COVER	2
28	0725705	DOOR- OVERRIDE	3
29	0725813	PLATE LLCVEFT REAR DECK	1
30	0725815	PLATE VALVE COVER	1
31	0726252	PLATE REAR OUTRIGGER VALVE CO	1
32	0810298	FLOOR SHEET WELDMENT RT REAR	1
33	0810471	HHU COVER WLDMT HHU	1
34	23723009	HINGE, PIANO 304SS (10" LONG)	3
--	0911887	UNDERLIFT INSTALLATION HHU 1150	--
35	0301470	FITTING, 90ELB 6MJ-8MB90	2
36	0301730	VALVE, DOUBLE HOLDING	1
37	0301837	INLINE ORIFICE	1
38	0303017	FITTING, CONNECTOR	1
39	0307042	FITTING,ORIFICE(6MJ-6MBR-3/64)	1
40	0310289	FITTING-LONG ADAPTER 6MJ-8MBLL	1
41	0310698	FITTING-CONNECTOR 6FJX-6FJX	1
42	0400078	SCREW, 1/4-20X2 HHC GR5	2
43	0400367	NUT, 1/4-20 LOK	2
44	0400451	WASHER, 1/4	2



# Section I - PARTS

## LOWER CONTROL & HHU VALVE INSTALLATION WITH COVERS (cont'd)



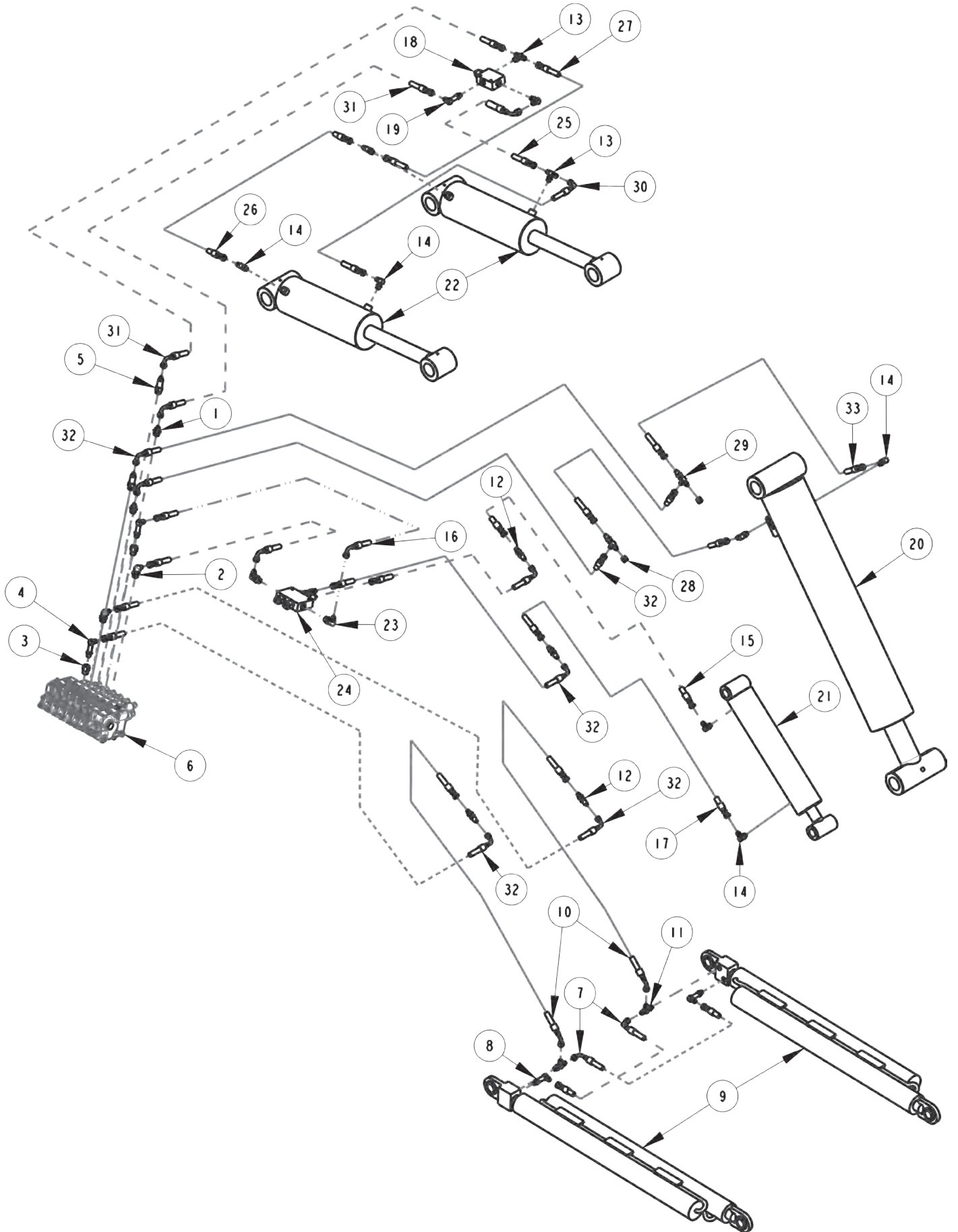
## Section I - PARTS

### LOWER CONTROL & HHU VALVE INSTALLATION WITH COVERS (cont'd)

ITEM	PART NUMBER	DESCRIPTION	QTY
--	0910869	REAR OUTRIGGER INSTALLATION	--
1	0311777	VALVE OUTRIGGER	1
2	0400231	SCREW, 3/8-16X5 HHC GR5	2
3	0400392	NUT, 3/8-16 LOK	2
--	0911599	SUBFRAME ASSEMBLY	--
4	0300044	FITT, HYD CONN. 6MJ-8MB	2
5	0301470	FITTING, 90ELB 6MJ-8MB90	2
6	0310406	VALVE, SHUTTLE LS10-30-8T-N	1
7	0400078	SCREW, 1/4-20X2 HHC GR5	2
8	0400367	NUT, 1/4-20 LOK	2
9	0400451	WASHER, 1/4	2
10	0911577	LOWER VALVE ASSEMBLY	1
--	0911600	COMMON COVER KIT	--
11	0311901	FASTNER-WING HEAD QTR TURN	3
12	0311902	RETAINER SOUTHCO 85-34-201-20	3
13	0311903	RECEPTICLE-QTR TURN-SOUTHCO	3
14	0400066	SCREW, 1/4-20X3/4 HHC GR5	8
15	0400109	SCREW, 5/16-18X1 HHC GR5	4
16	0400122	SCREW, 3/8-16X1-1/4 HHC GR5	10
17	0400132	SCREW, 3/8-16X1-1/2 HHC GR5	3
18	0400351	NUT, 8-32 HEX	30
19	0400379	NUT, 5/16-18 SPR J	8
20	0400452	LOCKWASHER, 1/4	8
21	0400463	WASHER, 5/16	4
22	0400464	LOCKWASHER, 5/16	10
23	0400480	WASHER, 3/8	10
24	0400482	LOCKWASHER, 3/8	3
25	0402085	0402085	30
26	0402118	LOCKWASHER, 5/16 SS	10
27	0723636	PLATE-CHAIN COVER	2
28	0725705	DOOR- OVERRIDE	3
29	0725813	PLATE LLCVEFT REAR DECK	1
30	0725815	PLATE VALVE COVER	1
31	0726252	PLATE REAR OUTRIGGER VALVE CO	1
32	0810298	FLOOR SHEET WELDMENT RT REAR	1
33	0810471	HHU COVER WLDMT HHU	1
34	23723009	HINGE, PIANO 304SS (10" LONG)	3
--	0911887	UNDERLIFT INSTALLATION HHU 1150	--
35	0301470	FITTING, 90ELB 6MJ-8MB90	2
36	0301730	VALVE, DOUBLE HOLDING	1
37	0301837	INLINE ORIFICE	1
38	0303017	FITTING, CONNECTOR	1
39	0307042	FITTING,ORIFICE(6MJ-6MBR-3/64)	1
40	0310289	FITTING-LONG ADAPTER 6MJ-8MBLL	1
41	0310698	FITTING-CONNECTOR 6FJX-6FJX	1
42	0400078	SCREW, 1/4-20X2 HHC GR5	2
43	0400367	NUT, 1/4-20 LOK	2
44	0400451	WASHER, 1/4	2

# Section I - PARTS

## UNDERLIFT HYDRAULICS - HHU (STREET/COACH LOWRIDER)





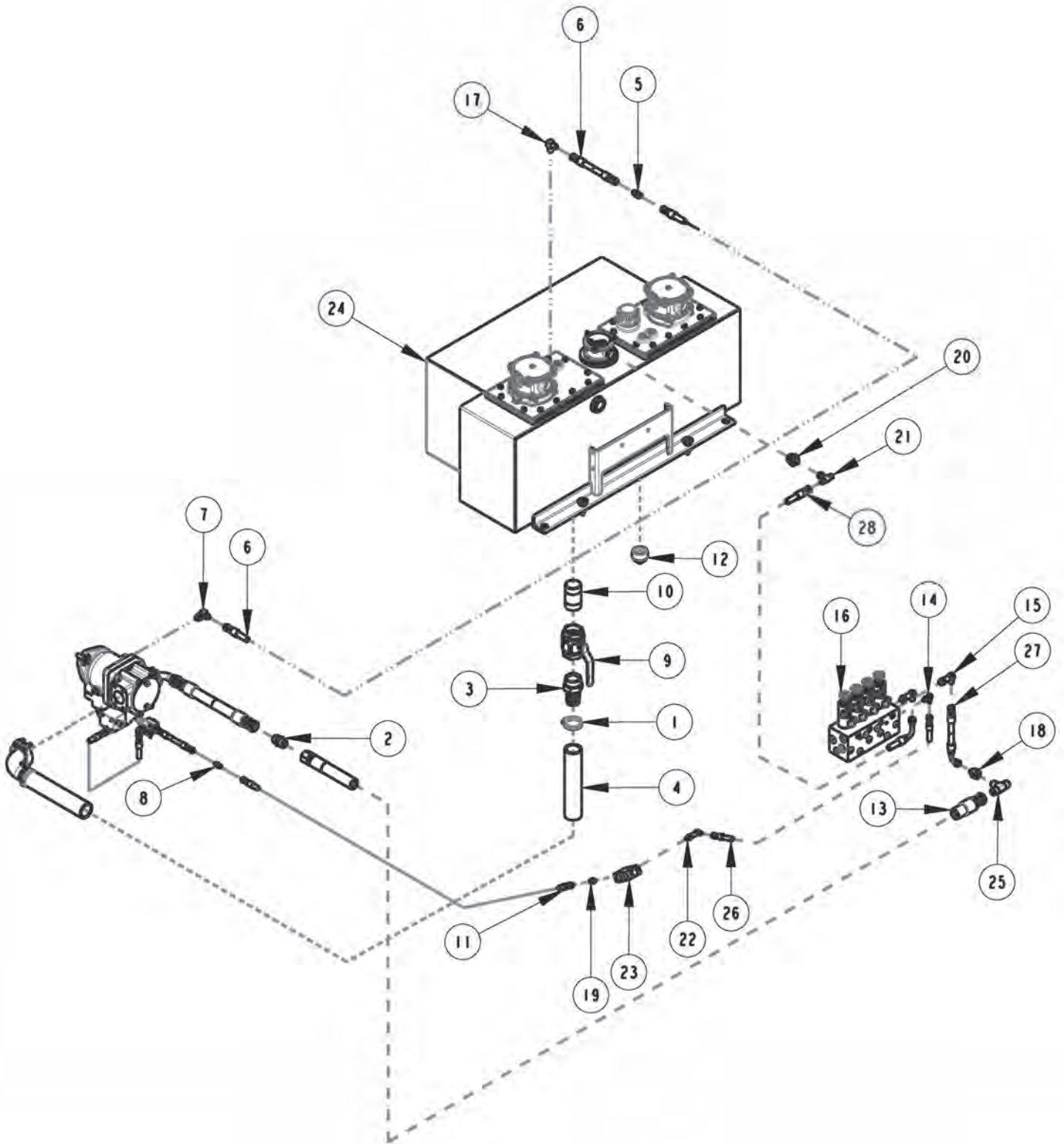
## Section I - PARTS

### UNDERLIFT HYDRAULICS - HHU (STREET/COACH LOWRIDER)

ITEM	PART NUMBER	DESCRIPTION	QTY
--	0911577	LOWER VALVE ASSEMBLY	--
1	0300044	FITTING, CONNECTOR 6MJ-8MB	2
2	0301470	FITTING, 90ELB 6MJ-8MB90	2
3	0303017	FITTING, CONNECTOR	2
4	0307460	FITTING, HYD 6MJ-6MB90LL	2
5	0310289	FITTING, LONG ADAPTER 6MJ-8MBLL	2
6	0311653	VALVE CONTROL 6 SPOOL	1
--	0911692	HHU STREET LWRDR ASSY VER 2	--
--	0911693	HHU COACH LOWRIDER ASSEMBLY VER. 2	--
7	0303968	HOSE HYD, 10" LG	2
8	0307460	FITTING, HYD 6MJ-6MB90LL	2
9	0311171	CYLINDER, SHORT 7035 LOWRDR	2
	0310629	CYL, HYD - U/L BOOM EXTEND	2
10	0312349	HOSE HYD 141" 6M2T 6FJX-6FJX45	2
11	9012594	FITT, HYD RUN TEE, 6MJx6MBx6MJ	2
--	0910869	REAR OUTRIGGER INSTALLATION	--
12	0310480	FITTING - BULKHEAD -6 UNION	4
--	0911885	UNDERLIFT MAST ASSEMBLY HHU STREET	--
--	0911886	UNDERLIFT MAST ASSEMBLY HHU COACH	--
13	0301619	FITT, 6MJ-6MJ-6MB BRANCH TEE	3
14	0301620	FITTING, HYDRAULIC 6MJ - 6MB90	7
15	0301662	HOSE HYD, 120" 6M1T 6FJX-6FJX	1
16	0302808	HOSE HYD, 18" LG	4
17	0302813	HOSE HYD, 108" LG	1
18	0307107	VALVE, HOLDING 4000 PSI SAE	1
19	0307460	FITTING, HYD 6MJ-6MB90LL	1
20	0310920	CYLINDER, SDU LIFT	1
21	0311921	CYLINDER, HYD LIFT	1
22	0311242	CYLINDER-TILT SDU/4	2
--	0911887	UNDERLIFT INSTALLATION HHU 1150	--
23	0301470	FITTING, 90ELB 6MJ-8MB90	2
24	0301730	VALVE, DOUBLE HOLDING	1
25	0301998	HOSE HYD, 24" LG	1
26	0302000	HOSE HYD, 24"	1
27	0302035	HOSE HYD, 18" 6FJX-6FJX -6M1T	1
28	0302065	FITTING, 6-FJ CAP	2
29	0302575	FITTING-BULKHEAD RUN TEE	2
30	0302585	HOSE HYD, 54"	1
31	0302604	HOSE HYD, 44"	2
32	0303389	HOSE HYD, 46" LG	6
33	0303394	HOSE HYD, 46"	2

# Section I - PARTS

## PUMP, TANK & FRONT OUTRIGGER VALVE HYDRAULICS



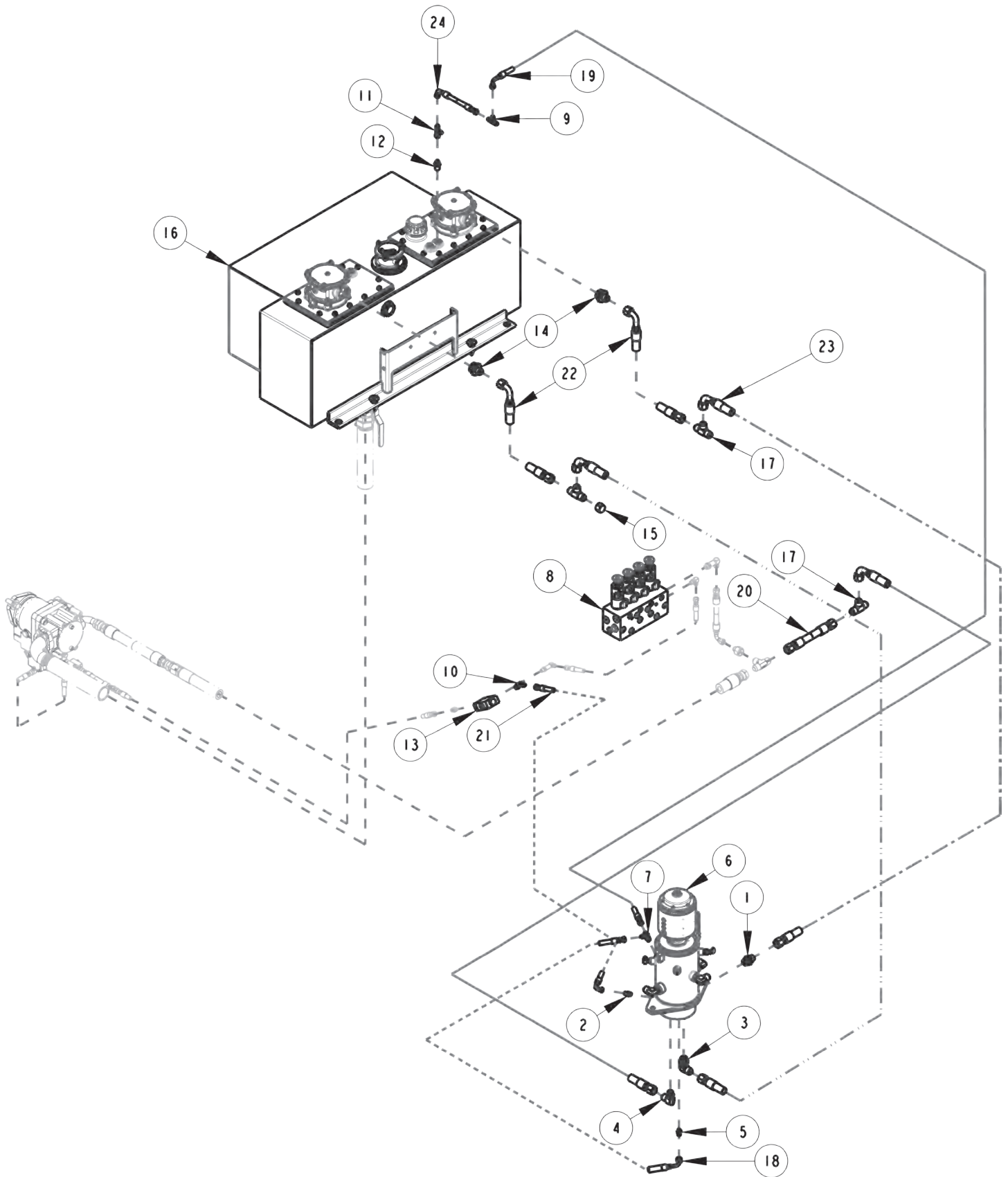
## Section I - PARTS

### PUMP, TANK & FRONT OUTRIGGER VALVE HYDRAULICS

ITEM	PART NUMBER	DESCRIPTION	QTY
--	0910075	KIT, PUMP LARGE WRECKER ROT - KAWASAKI	--
1	0300364	CLAMP-HOSE,0.875"-2.75" 50"LBS	4
2	0300431	CONNECTOR, 16MJ-16MJ	2
3	0300434	FITTING, HOSE BARB, 2	1
4	0300558	HOSE, SUCTION 2"ID 100R4 (C4)	15FT
5	0300865	FITTING, CONNECTOR 8MJ-8MJ	1
6	0301113	HOSE, HYDRAULIC 82" LG	2
7	0301388	FITTING, 90ELL, 8MJ-8MB90	1
8	0301422	FITTING, 6MJ-6MJ SMALL	2
9	0301961	BALL VALVE 2	1
10	0302367	PIPE NIPPLE - 2 X 4	1
11	0303187	HOSE, HYDRAULIC 141" LG	1
12	0306921	PIPE PLUG, 2" SQ HD	1
13	0306935	HOSE, HYDRAULIC 120" LG	1
--	0911580	FRONT OUTRIGGER VALVE ASSEMBLY	--
14	0301620	FITTING, HYDRAULIC 6MJ - 6MB90	9
15	0302508	FITTING, ELL 8MJ-8MB 90LL	2
16	0311777	VALVE OUTRIGGER	1
--	0911599	SUBFRAME ASSEMBLY	--
17	0300229	FITTING, ELB 8MJ-8MP90	1
18	0301372	FITTING, ST.CONN. 12FJ-8MJ	1
19	0301522	FITTING, CONN. 6MJ-6MB	1
20	0302757	FITTING, CONN 8MJ - 16MB	1
21	0302796	FITTING, TEE	1
22	0307460	FITTING, HYD 6MJ-6MB90LL	1
23	0310804	VALVE, SHUTTLE	1
24	0911857	TANK ASSEMBLY	1
25	GB330	FITTING, 3/4" JIC TEE	4
--	0911796	HYDRAULIC HOSE KIT, 1150 XLT	--
26	0302035	HOSE, HYDRAULIC 18" 6FJX-6FJX -6M1T	1
27	0302313	HOSE, HYDRAULIC 25" LG	1
28	0303346	HOSE, HYDRAULIC 48" LG	1

# Section I - PARTS

## TANK , FRONT OUTRIGGER VALVE & HYDRAULIC SWIVEL HYDRAULICS



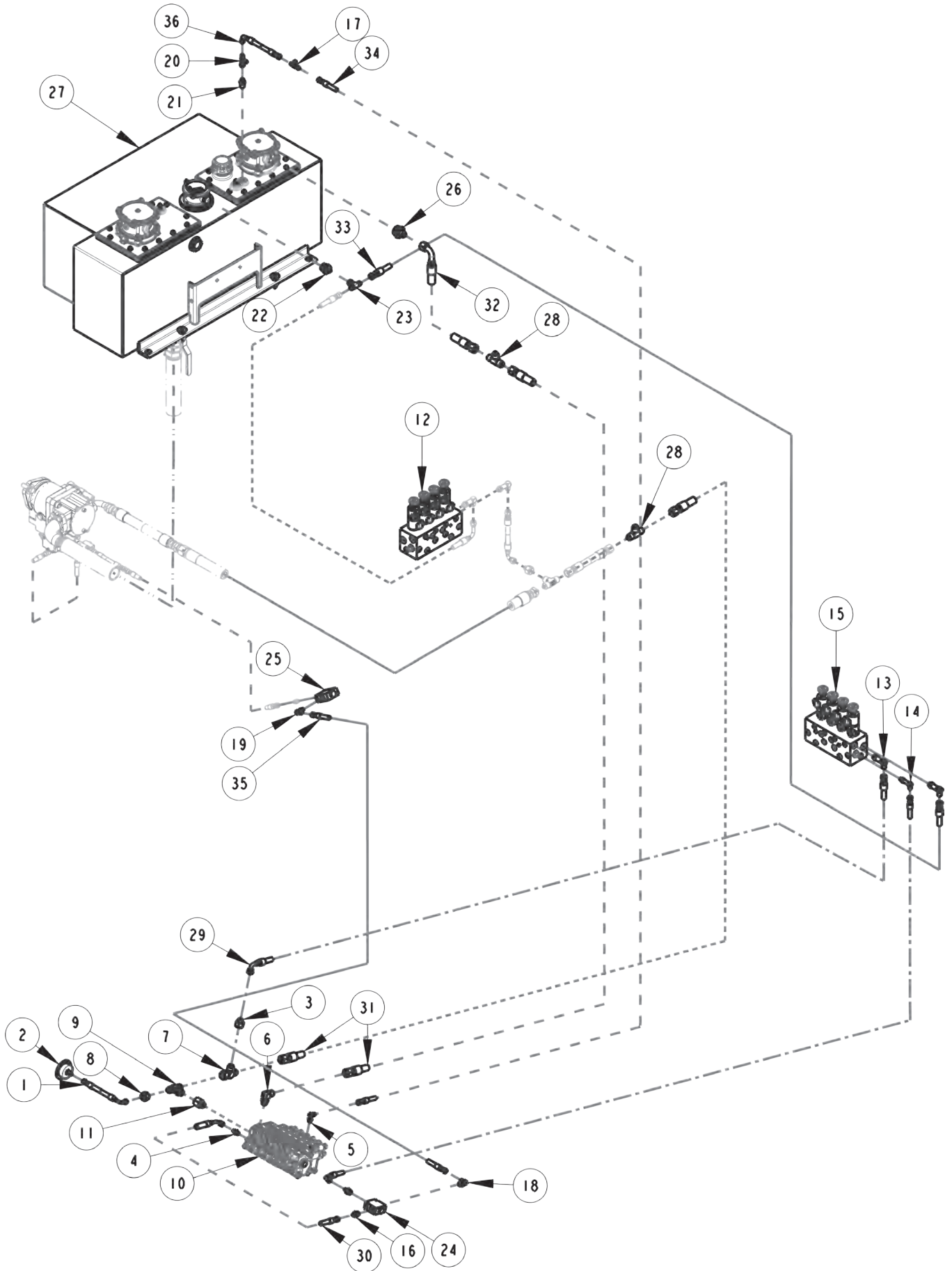
## Section I - PARTS

### TANK , FRONT OUTRIGGER VALVE & HYDRAULIC SWIVEL HYDRAULICS

ITEM	PART NUMBER	DESCRIPTION	QTY
--	0911567	SWIVEL HYDRAULIC ROTARY	--
1	0300400	CONNECTOR, 12MJ-12MB	1
2	0301522	FITTING, CONN. 6MJ-6MB	2
3	0301545	FITTING, ELB 12MJ-12MB 90	3
4	0302085	FITTING, 90 DEG ADAPTER	2
5	0302695	ADAPTER, 6MJ-4MB	1
6	0311781	HYDRAULIC SWIVEL	1
7	9012594	FITT,HYD RUN TEE, 6MJx6MBx6MJ	1
--	0911580	FRONT OUTRIGGER VALVE ASSEMBLY	--
8	0311777	VALVE OUTRIGGER	1
--	0911599	SUBFRAME ASSEMBLY	--
9	0301377	FITTING, TEE, 3/8" JIC	1
10	0301620	FITTING, HYDRAULIC 6MJ - 6MB90	2
11	0301781	FITTING, TEE, 3/8" JIC	1
12	0302727	FITTING, HYD CONN	3
13	0310804	VALVE, SHUTTLE	1
14	0312398	FITTING 12MJ-20MB	2
15	0312613	FITTING - 12FJ-CAP	1
16	0911857	TANK ASSEMBLY	1
17	GB330	FITTING, 3/4" JIC TEE	4
--	0911796	HYDRAULIC HOSE KIT, 1150 XLT	--
18	0301998	HOSE, HYDRAULIC 24" LG	2
19	0303171	HOSE, HYDRAULIC 111" LG	1
20	0303435	HOSE, HYDRAULIC 58" LG (12FJX-12-12FJX)	1
21	0311439	HOSE, HYDRAULIC 156" LG (6FJX-6FJX90)	1
22	0312396	HOSE, HYD. 84" LG (12FJX-12M3K-12FJS90)	2
23	0312397	HOSE, HYD. 103" LG (12FJX-12M3K-12FJS90S)	3
24	0312898	HOSE, HYD 90 6FJ-6M3K-6FJ90S	1

# Section I - PARTS

## TANK , LOWER CONTROL VALVE & HHU OUTRIGGER VALVE HYDRAULICS



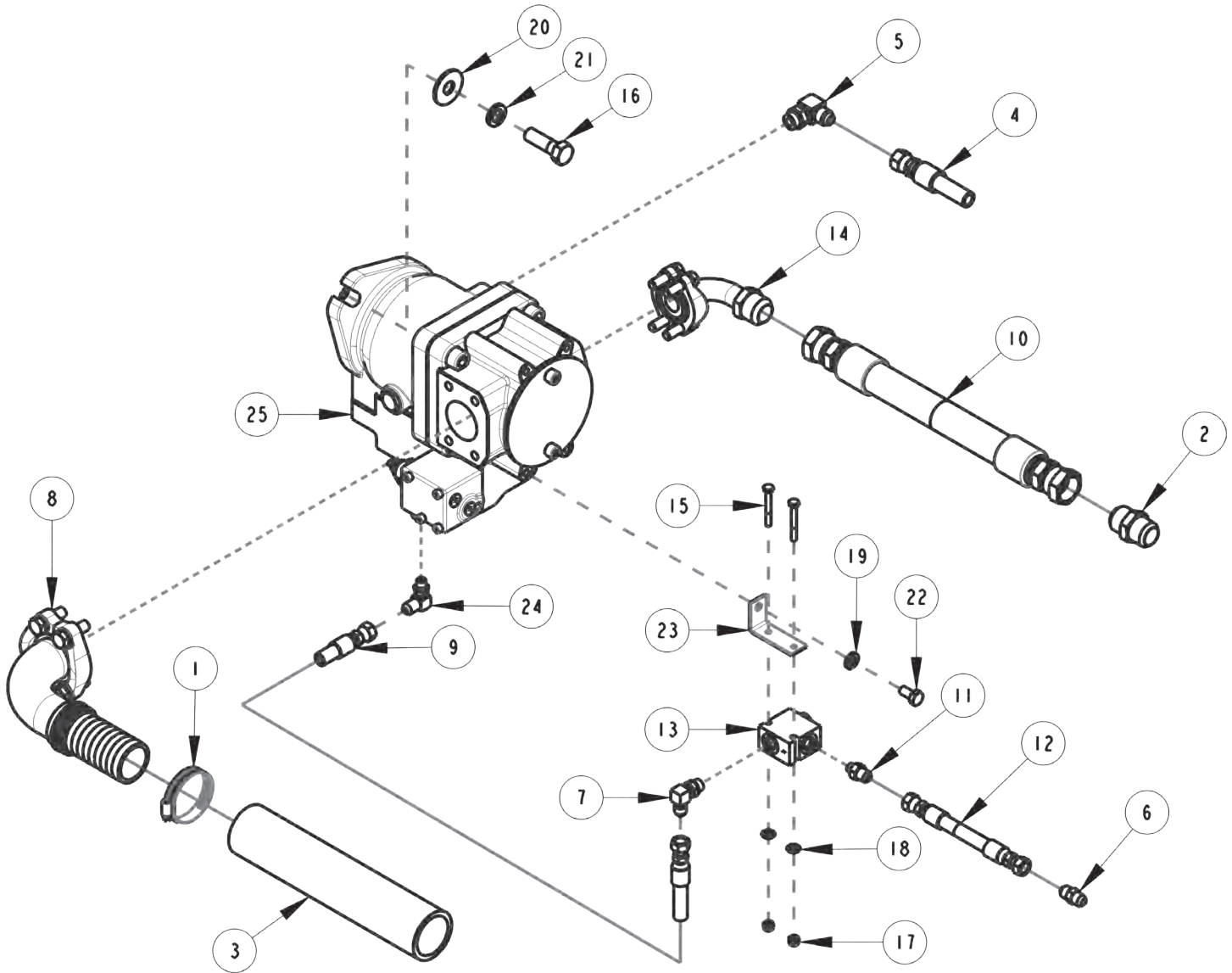
## Section I - PARTS

### TANK , LOWER CONTROL VALVE & HHU OUTRIGGER VALVE HYDRAULICS

ITEM	PART NUMBER	DESCRIPTION	QTY
--	0911573	SHIP KIT 1150XLT SDU/4	--
1	0301473	HOSE, HYDRAULIC 18" LG	2
2	0302205	GAUGE, FLUSH MNTG-6000 PSI	2
--	0911577	LOWER VALVE ASSEMBLY	--
3	0301372	FITTING, ST.CONN. 12FJ-8MJ	1
4	0301522	FITTING, CONNECTOR 6MJ-6MB	1
5	0301620	FITTING, HYDRAULIC 6MJ - 6MB90	1
6	0302085	FITTING, 90 DEG ADPTER	1
7	0302826	FITTING, TEE	1
8	0302829	FITTING, ADAPTER	2
9	0310520	FITTING, TEE 12MJ-12MJ-12MB	1
10	0311653	VALVE CONTROL 6 SPOOL	1
11	0311712	FITTING ADAPTER STR	1
--	0911580	FRONT OUTRIGGER VALVE ASSEMBLY	--
12	0311777	VALVE OUTRIGGER	1
--	0911581	REAR OUTRIGGER VALVE ASSEMBLY	--
13	0302508	FITTING, ELL 8MJ-8MB 90LL	2
14	0307460	FITTING, HYD 6MJ-6MB90LL	3
15	0311777	VALVE OUTRIGGER	1
--	0911599	SUBFRAME ASSEMBLY	--
16	0300044	FITT, HYD CONN. 6MJ-8MB	2
17	0301377	FITTING, TEE, 3/8" JIC	1
18	0301470	FITTING, 90ELB 6MJ-8MB90	2
19	0301620	FITTING, HYDRAULIC 6MJ - 6MB90	2
20	0301781	FITTING, TEE, 3/8" JIC	1
21	0302727	FITTING, HYD CONN	3
22	0302757	FITTING, CONN 8MJ - 16MB	1
23	0302796	FITTING, TEE	1
24	0310406	VALVE, SHUTTLE LS10-30-8T-N	1
25	0310804	VALVE, SHUTTLE	1
26	0312398	FITTING 12MJ-20MB	2
27	0911857	TANK ASSEMBLY	1
28	GB330	FITTING, 3/4" JIC TEE	4
--	0911796	HYDRAULIC HOSE KIT, 1150 XLT	--
29	0301207	HOSE, HYDRAULIC 72" LG	1
30	0301998	HOSE, HYDRAULIC 24" LG	2
31	0302901	HOSE, HYDRAULIC 120" LG 12C12	2
32	0312396	HOSE, HYD. 84" LG (12FJX-12M3K-12FJS90)	2
33	0312603	HOSE, HYD. 231" LG (8FJX-8M3K-8FJX)	1
34	0312609	HOSE, HYD. 138" LG (6FJX-6M3K-6FJX)	1
35	0312610	HOSE, HYD. 195" LG (6FJX-6M3K-6FJX)	1
36	0312898	HOSE, HYD 90 6FJ-6M3K-6FJ90S	1

# Section I - PARTS

## HYDRAULIC PUMP ASSEMBLY





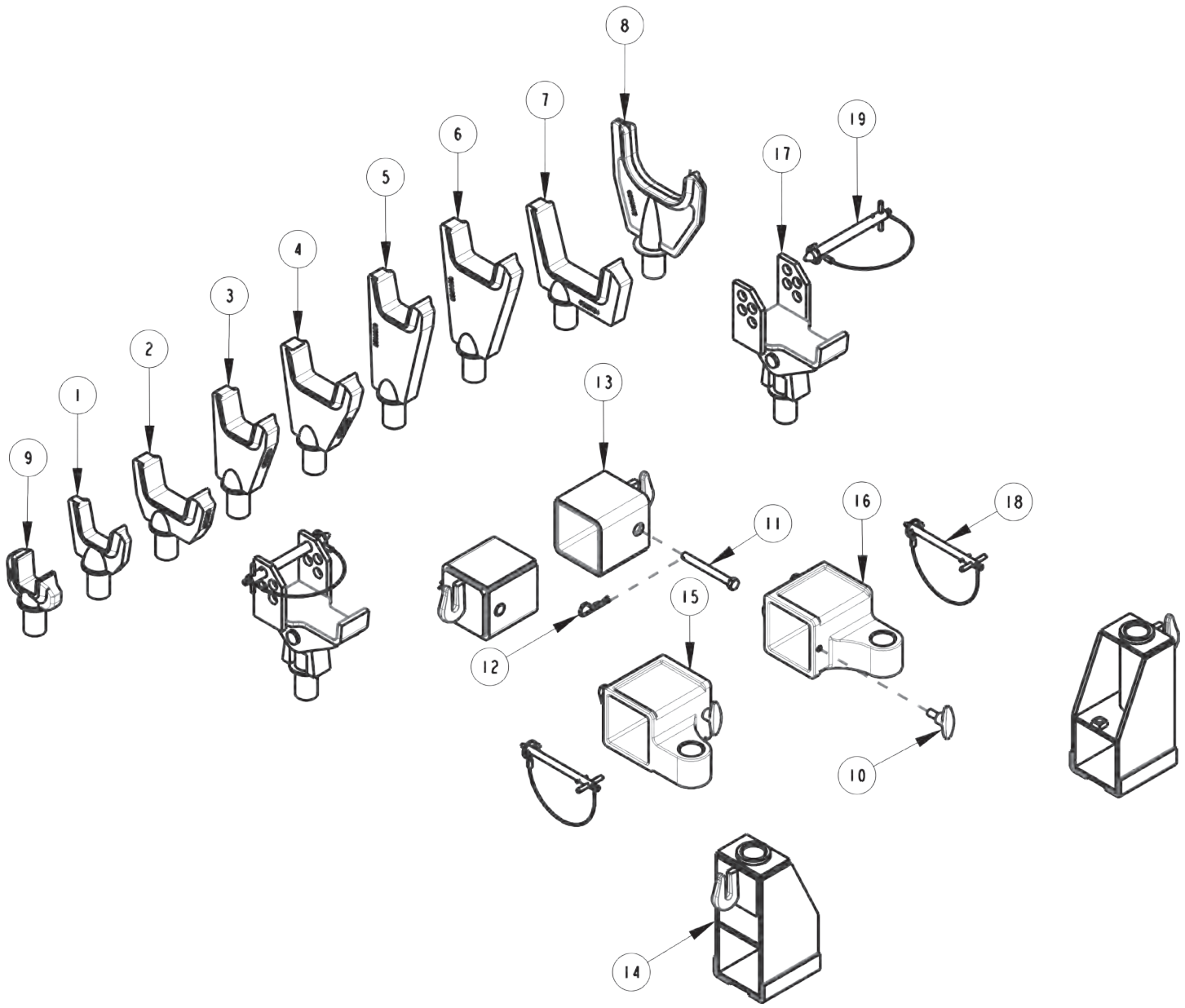
## Section I - PARTS

### HYDRAULIC PUMP ASSEMBLY

ITEM	PART NUMBER	DESCRIPTION	QTY
--	0910075	KIT, PUMP LARGE WRECKER ROT - KAWASAKI	--
1	0300364	CLAMP-HOSE,0.875"-2.75" 50"LBS	4
2	0300431	CONNECTOR, 16MJ-16MJ	2
3	0300558	HOSE, SUCTION 2"ID 100R4 (C4)	15FT
4	0301113	HOSE, HYDRAULIC 82" LG	2
5	0301388	FITTING, 90ELL, 8MJ-8MB90	1
6	0301422	FITTING, 6MJ-6MJ SMALL	2
7	0301620	FITTING, HYDRAULIC 6MJ - 6MB90	1
8	0301637	FITTING, FL - FLANGE	1
9	0301997	HOSE, HYDRAULIC 18" LG (6FJX-6FJX -6M2T)	1
10	0302008	HOSE, HYDRAULIC 66" LG	2
11	0302695	ADAPTER, 6MJ-4MB	1
12	0303187	HOSE, HYDRAULIC 141" LG	1
13	0307311	FILTER SCREEN - INLINE	1
14	0310200	HYD FITTING,ELL 1 W/FLANGE KIT	1
15	0400078	SCREW, 1/4-20X2 HHC GR5	2
16	0400260	SCREW, 5/8-11X2 HHC GR5	2
17	0400367	NUT, 1/4-20 LOK	2
18	0400451	WASHER, 1/4	2
19	0400487	LOCKWASHER, 7/16	1
20	0400506	WASHER, 5/8	2
21	0400508	LOCKWASHER, 5/8	2
22	0400710	SCREW, M10-1.5X20 HHC 10.9	1
23	0730323	BRACKET, FILTER SCREEN	1
24	IC209	FTG-90DEG ADAPTER 1/4 ORB	1
--	0911573	SHIP KIT 1150XLT SDU/4	--
25	0310199	PUMP, PISTON - KAWASAKI	1

# Section I - PARTS

## LIFT ADAPTERS



## Section I - PARTS

### LIFT ADAPTERS

ITEM	PART NUMBER	DESCRIPTION	QTY
--	0906613	KIT - STANDARD FORK SDU	--
1	0200018	FORK, SHORT 3" OPENING	2
2	0200019	FORK, SHORT 4-1/2" OPENING	2
3	0200020	FORK, MEDIUM 3" OPENING	2
4	0200021	FORK, MEDIUM 4-1/2" OPENING	2
5	0200022	FORK, LONG 3" OPENING	2
6	0200023	FORK, LONG 4-1/2" OPENING	2
7	0200024	FORK, OFFSET REAR AXLE	2
8	0200042	FORK, MEDIUM ROUND AXLE	2
9	0200058	FORK-AXLE	2
10	0306564	ALUMINUM T HANDLE, 5/8 X 1-1/4	4
11	0310230	CLEVIS PIN, 5/8 X 6 ZP	2
12	0400886	PIN, 1/8" X 2.6 HAIR	2
13	0801186	ADAPTER-HDU CHAIN (LH & RH)	2
14	0801459	BRACKET - RISER - HDU	2
15	0803591	ADAPTER-LEFT FORK 5X5	1
16	0803592	ADAPTER-RIGHT FORK 5X5	1
17	0807023	BRACKET - PIVOT SPRING LIFT	2
18	0900900	PIN-ASSEMBLY, RETAINER	2
19	0908672	PIN-RET.-SPRING LIFT	2



**CENTURY®**

Miller Industries Towing Equipment Inc.  
8503 Hilltop Drive • Ooltewah, Tennessee 37363 • (423) 238-4171  
[www.millerind.com](http://www.millerind.com)