

# CENTURY®

LEGENDARY LEADERSHIP



**OWNER'S MANUAL**  
**INDUSTRIAL**  
**SERIES 40 LCG**  
**DUAL REAR WHEELS**  
**STANDARD CB**  
**INSTALLATION, OPERATION, MAINTENANCE & PARTS**

**NOTE: MANUAL including SPECIFICATIONS, subject to change without notice**  
**All ratings specified are based on structural factors only,**  
**not vehicle capacities or capabilities.**

**CENTURY®**

Miller Industries Towing Equipment Inc.  
8503 Hilltop Drive  
Ooltewah, Tennessee 37363

FORM NO. 0540015  
REV.10/14  
PRICE \$25.00

Phone (423) 238-4171 • FAX (423) 238-5371



## **Section V - PARTS**

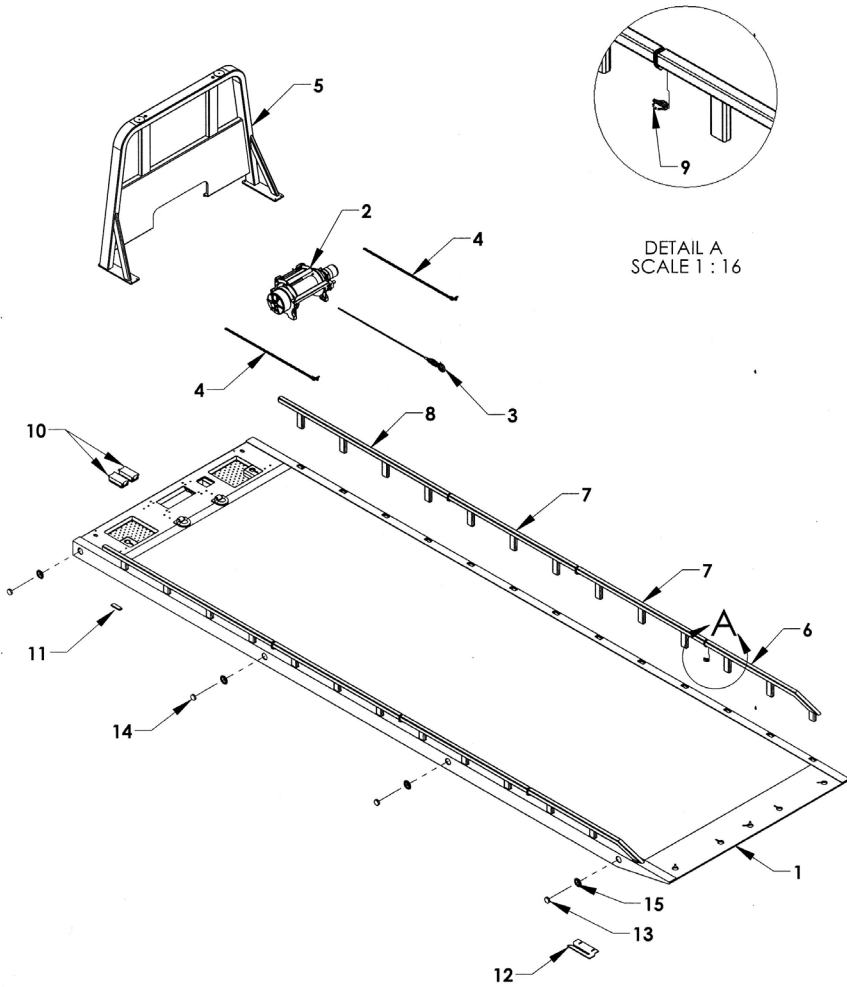
This Section is provided by the manufacturer for the purpose of ordering any component part of the **Industrial LCG Series Car Carrier** that may be required when part replacement is necessary. Be certain to use only original equipment replacement parts for warranty purposes as well as for keeping your **Industrial LCG Series Car Carrier** in its original state and optimum operating capacities.

When ordering replacement or spare parts be sure to provide the following information to your carrier manufacturer authorized representative.

1. **Manual Number & Date of Publication**
2. **Manual Page Number**
3. **Page Title**
4. **Reference Number of Part Desired**
5. **Part Number**
6. **Part Description**
7. **Quantity of Part Desired**

The Manufacturer reserves the right, without notice or obligation, to improve or modify their products, which may change the specifications, models and feature availability.

**Section V - PARTS (cont'd)**  
**SERIES 40 LCG DRW BED ASSEMBLY**  
**REMOVABLE TUBE RAIL**



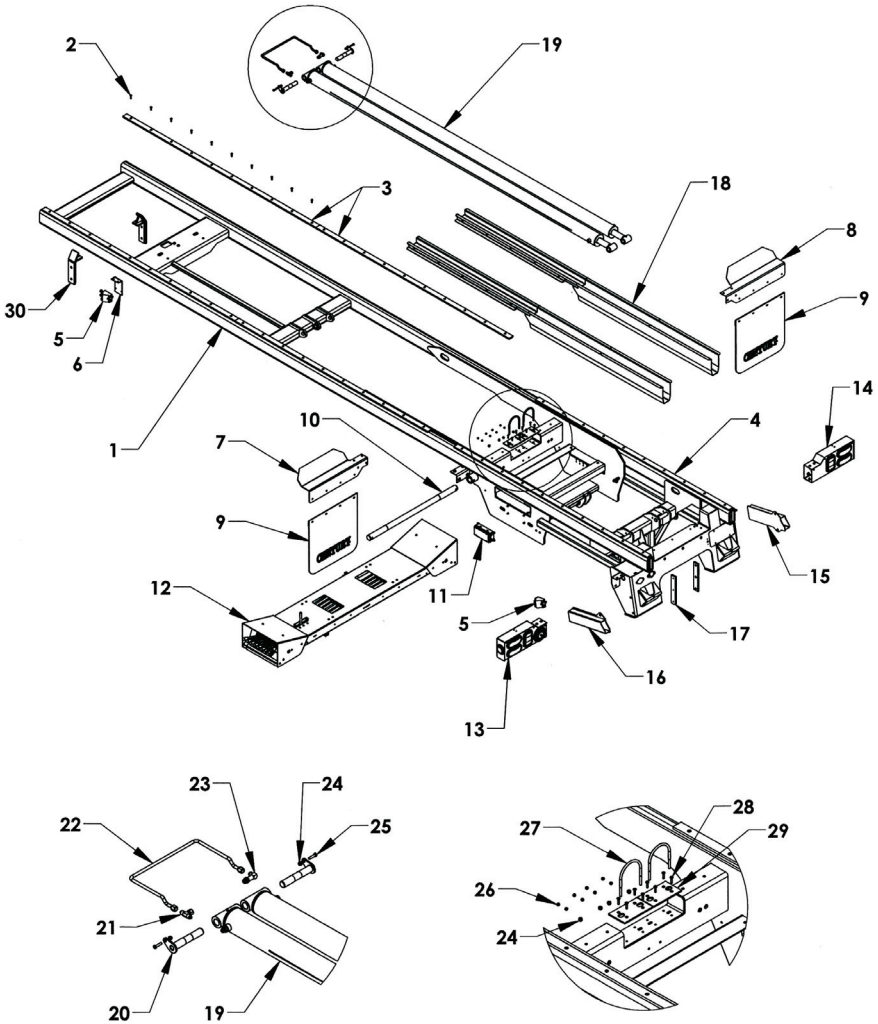
**Section V - PARTS (cont'd)**  
**SERIES 40 LCG DRW BED ASSEMBLY**  
**REMOVABLE TUBE RAIL**

REF. NO.	QPU	PART NUMBER	DESCRIPTION
1	1	3028440LDXXX-FW1	SERIES 40 INDUSTRIAL LCG BED WELDMNT
2	1	7112014	10 TON WARN WINCH ASSEMBLY
	1	7113014	15 TON WARN WINCH ASSEMBLY
3	1	0306034	WINCH CABLE ASSEMBLY - 9/16 x 75 FT
4	2	0301932	FRONT SAFETY CHAIN ASSEMBLY - 5/16 x 8'
5	1	35FL050	LCG CAB PROTECTOR WELDMNT - 50 INCHES
	1	35FL052	LCG CAB PROTECTOR WELDMNT - 52 INCHES
	1	35FL056	LCG CAB PROTECTOR WELDMNT - 56 INCHES
	1	35FL060	LCG CAB PROTECTOR WELDMNT - 60 INCHES
	1	35FL063	LCG CAB PROTECTOR WELDMNT - 63 INCHES
	1	35FL065	LCG CAB PROTECTOR WELDMNT - 65 INCHES
	1	35FL068	LCG CAB PROTECTOR WELDMNT - 68 INCHES
6	2	346064	REAR REMOVABLE TUBE RAIL - STEEL (3 POST)
7	2	346071M	MID REMOVABLE TUBE RAIL - STEEL (3 POST)
8	2	346095F	FRONT REMOVABLE TUBE RAIL - STEEL (4 POST)
9	6	0306070	LYNCH PIN
10	2	98710	JUNCTION BOX - 10 POST
11	2	33415	BEARING PAD-LOWER MAIN SILL
12	1	33813	ANTI-TILT PLATE
13	2	0311512	LED MARKER LIGHT, RED
14	6	0311513	LED MARKER LIGHT, AMBER
15	8	0311516	GROMMET, ROUND RUBBER

# Section V - PARTS (cont'd)

## 40 LCG SUBFRAME GROUP

### DUAL REAR WHEELS & STANDARD CB



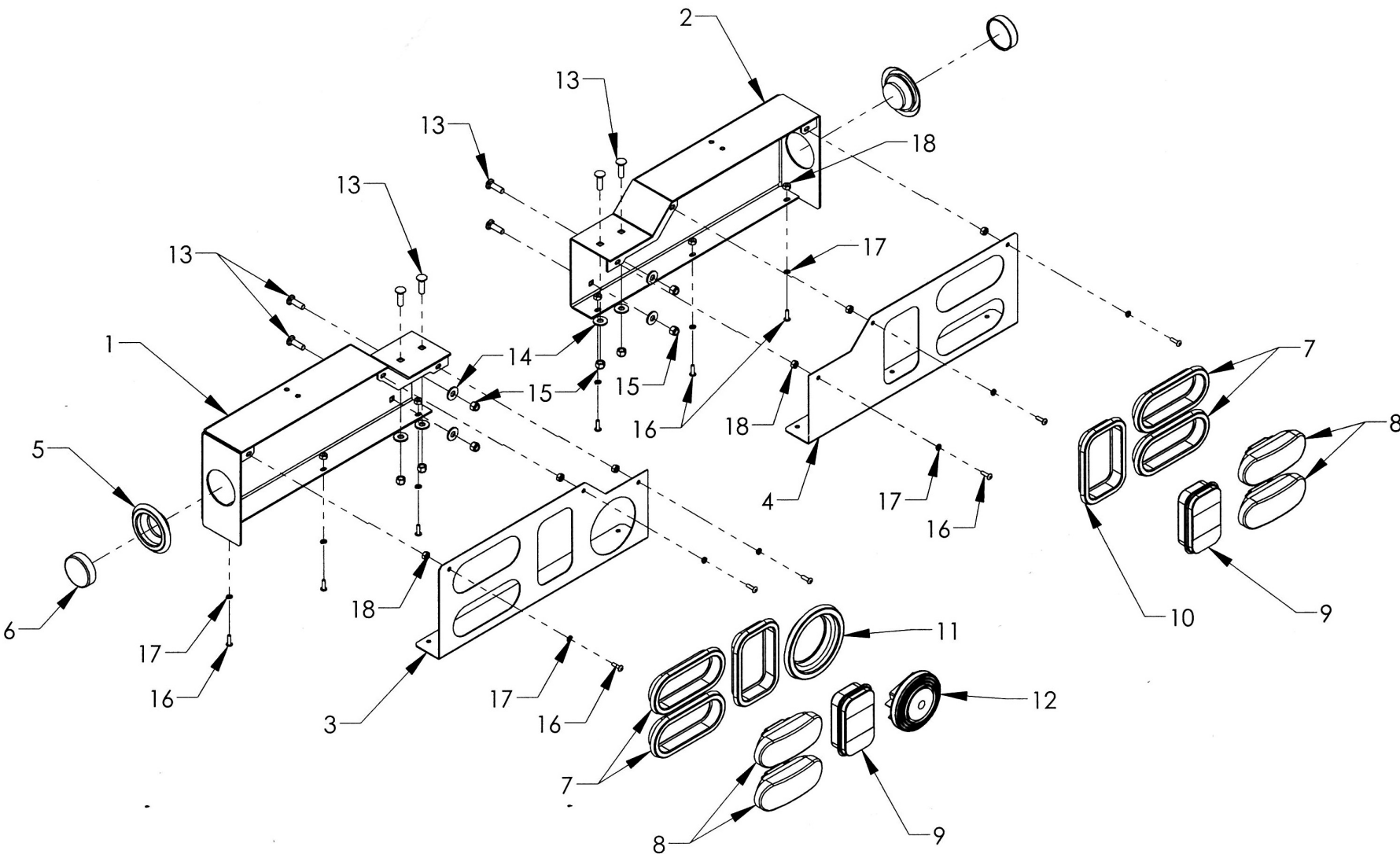
**Section V - PARTS (cont'd)**  
**40 LCG SUBFRAME GROUP-DUAL REAR WHEELS &**  
**STANDARD CB**

REF NO.	PART #	DESCRIPTION	QTY
1	0809966-XX	S40 LCG DRW SUBFRAME	1
2	81121	BOLT, 5/16-18 UNC - ALLEN COUNTERSUNK	60
3	33308R2	WEAR STRIP 1/2 x 2 x 96 BLACK	4
4	33308N2	WEAR STRIP 1/2 x 2 x 96 GRAY	2
5	74345	DUAL COUNTERBALANCE VALVE	2
6	13063-30	COUNTERBALANCE VALVE MTG PLATE - 30 LCG DRW	1
7	0751024-29L	WIDE ALUM SPLASH GUARD LEFT REAR RGT FRONT	1
8	0751024-29R	WIDE ALUM SPLASH GUARD RGT REAR LEFT FRONT	1
9	0308419	CENTURY MUDFLAP	2
10	0751264	20 LCG SUBFRAME HINGE PIN 1.975 x 43.375	1
11	98710	JUNCTION BOX	1
12	183126	LCG CONTROL STATION	1
13	0940328L	CENTURY LCG GEN 2 TAIL LIGHT HOUSING GROUP - L	1
14	0940328R	CENTURY LCG GEN 2 TAIL LIGHT HOUSING GROUP - R	1
15	1605610R	L-ARM STORAGE TUBE 6000# - RIGHT	1
16	1605610L	L-ARM STORAGE TUBE 6000# - LEFT	1
17	163144	STABILIZER WHEEL LIFT GUIDE PAD	2
18	0809659-132	HOSE TRAY WELDMENT - 132" SLIDEBACK	2
19	72A40132	SLIDEBACK CYLINDER 4.0 BORE x 132 STROKE	2
20	1302720A	20 LCG SLIDEBACK CYLINDER PIN WELDMENT	2
21	ADAPTER	ADAPTER - 203101 - 08 x 08	1
22	72H30FT	30 LCG S/B CYLINDER FLUID PIPE ASSEMBLY	1
23	ADAPTER	ADAPTER 206209 - 08 x 08	1
24	-	NYLON LOCK NUT - 3/8-16 UNC	6
25	-	BOLT, HHCS 3/8-16 UNC x 1-1/2	2
26	-	NYLON LOCK NUT 3/8-16 UNC	8
27	81287	U-BOLT, 3/8-16 UNC - 4.562 x 6	2
28	-	BOLT - 1/4-20 UNC x 1 - ALLEN COUNTERSUNK	8
29	0751223	LCG 12/16/20 S/B CYLINDER SUPPORT PAD	2
30	0809975	SUBFRAME ALIGNMENT GUIDE	2

**NOTE:**

To order a replacement subframe, provide the carrier serial number. Series 30 subframes are built to order to fit specific chassis cab-to-bogie, crossmember, and suspension geometry to avoid chassis modifications. Serial number look-up provides the subframe construction geometry regarding the hinge and cylinder box locations.

**Section V - PARTS**  
**INDUSTRIAL TAIL LIGHT COMPONENTS**



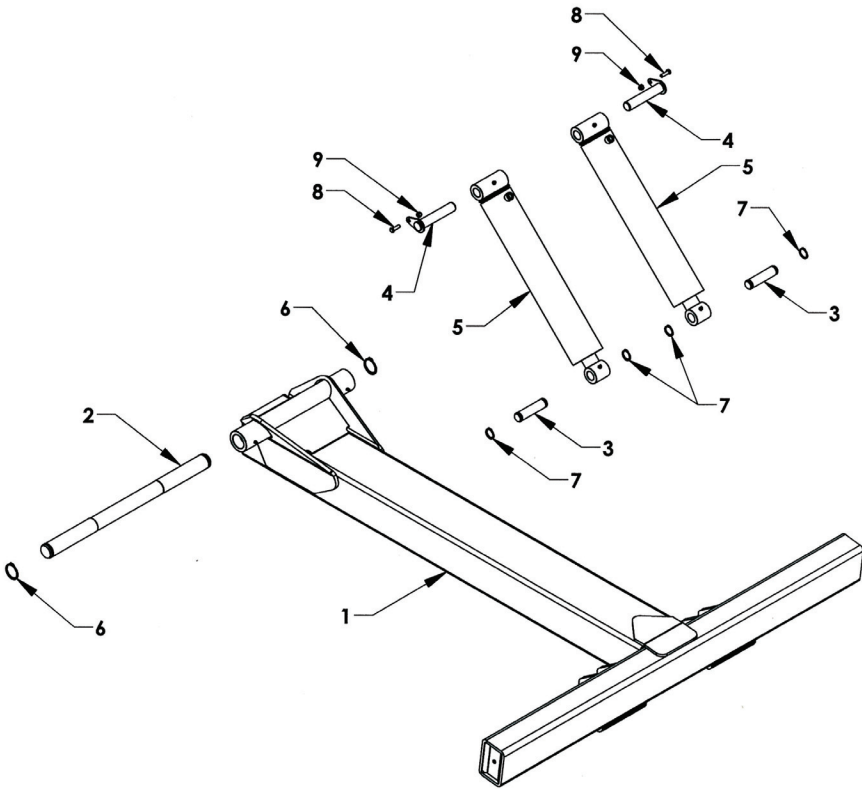


## Section V - PARTS

### TAIL LIGHT COMPONENTS

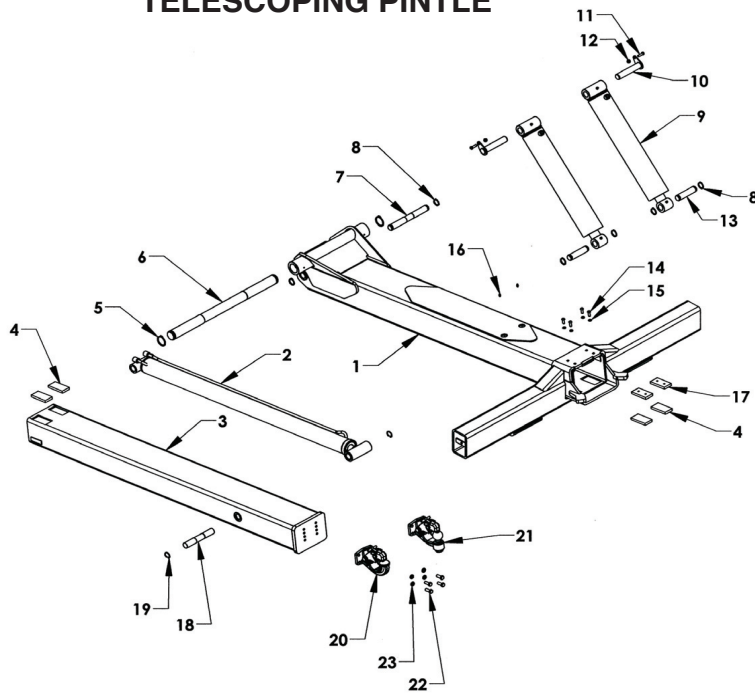
REF	PART #	DESCRIPTION	QPU
1	0809470L	TAIL LIGHT HOUSING WELDMENT (LH)	1
2	0809470R	TAIL LIGHT HOUSING WELDMENT (RH))	1
3	0752001L	TAIL LIGHT BEZEL (LH)	1
4	0752001R	TAIL LIGHT BEZEL (RH)	1
5	0311516	2-1/2" MARKER LIGHT GROMMET	2
6	0311512	2-1/2" MARKER LIGHT	2
7	0311503	6" OVALGROMMET	4
8	0311498	6" OVAL RED LIGHT	4
9	0311510	BACK-UP LIGHT	2
10	0311511	BACK-UP LIGHT GROMMET	2
11	0311528	BACK-UP ALARM GROMMET	1
12	0306385	BACK-UP ALARM	1
13	0403053	3/8-16 x 1-1/4 CARR. HD BOLT SS	8
14	0402121	3/8 LOCK WASHER SS	8
15	0402122	3/8-16 HEX NUT SS	8
16	0400071	1/4-20 x 3/4 RHNS SS	12
17	0402111	1/4 LOCK WASHER SS	12
18	0400371	1/4-20 LUG NUT Z	12

**Section V - PARTS (cont'd)**  
**DOCK STABILIZER**



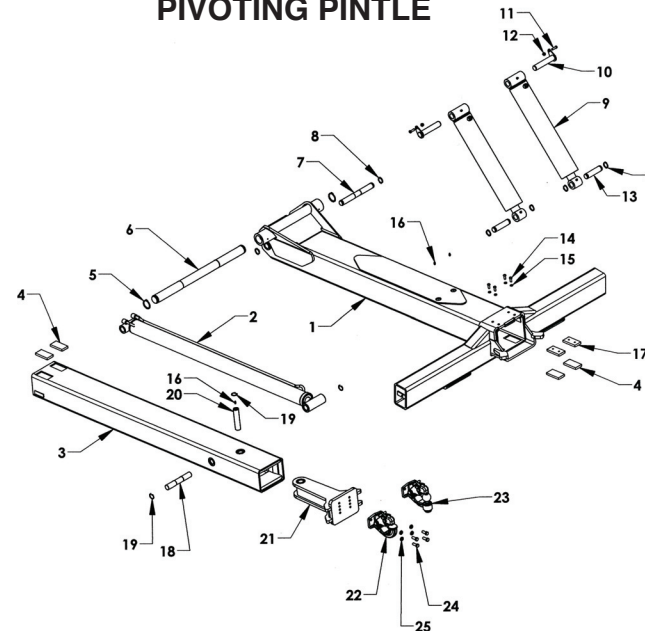
REF	PART #	DESCRIPTION	QPU
1	0809467	INDUSTRIAL LCG DOCK STABILIZER WELDMENT	1
2	143122	HINGE PIN	1
3	163632	LIFT CYLINDER ROD PIN	2
4	0809899U	KEEPER PIN 1.230 X 6.00	2
5	72118	UNDERLIFT LIFT CYLINDER 4.0 x 18.063	2
6	86200E	SNAP RING 2" EXTERNAL	2
7	86125E	SNAP RING 1-1/4" EXTERNAL	8
8	-	BOLT HHCS 3/16 UNC x 1-1/4	2
9	-	NYLON LOCK NUT 3/8-16 UNC	2

**Section V - PARTS (cont'd)**  
**SERIES 40 LCG DRW**  
**TELESCOPING PINTLE**



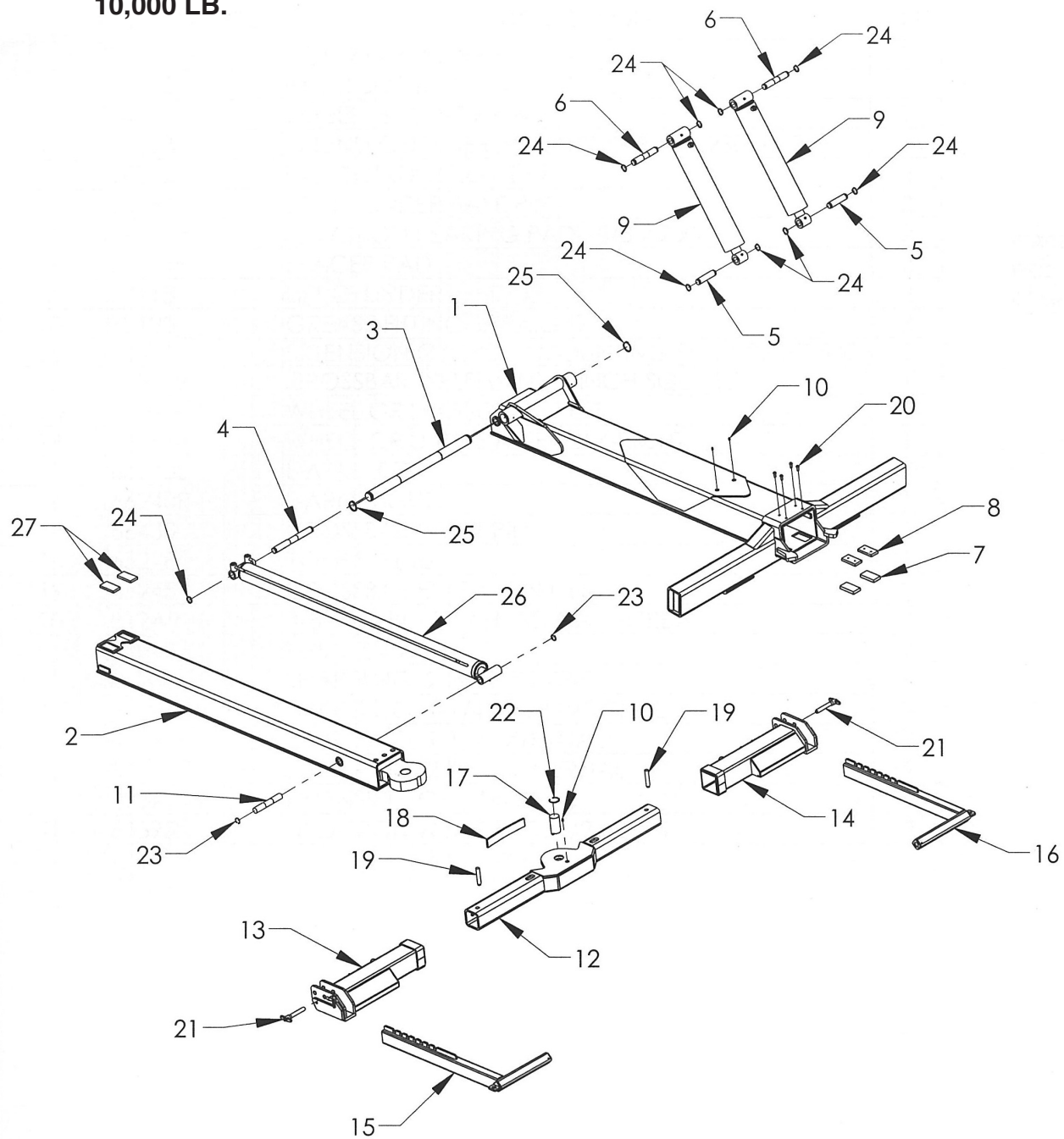
REF	PART #	DESCRIPTION	QPU
1	0809466	LCG SERIES 30 UNDERLIFT OUTER BOOM TUBE	1
2	72A30052	CYLINDER - 3.0 x 52	1
3	10262P	INNER PINTLE BOOM	1
4	63595	WEAR PAD NYLATRON NSM 1/2 x 2 x 4	4
5	86200E	SNAP RING - 2" EXTERNAL	2
6	143122	4K/6K UNDERLIFT HINGE PIN	4
7	729372	WHEEL LIFT CYLINDER PIN	4
8	86125E	SNAP RING 1-1/4" EXTERNAL	6
9	72118	UNDERLIFT LIFT CYLINDER 4.0 x 18.063	2
10	0809899U	KEEPER PIN 1.230 x 6.00	2
11	-	BOLT HHCS 3/8-16 UNC x 1-1/4	2
12	-	NYLON LOCK NUT 3/8-16 UNC	2
13	16362	STABILIZER PIN	4
14	-	BOLT, BHSC 3/8-16 UNC x 1	4
15	-	LOCK WASHER 3/8	4
16	7B130	GREASE FITTING 1/4-28	2
17	63595H	WEAR PAD NYLATRON NSM 1/2 x 2 x 4 W/HOLES	2
18	72938	PIN - W/L EXTENSION CYL 1.23 x 7-5/8	1
19	86125I	SNAP RING 1-1/4 " INTERNAL	2
20	A3020H	PINTLE HOOK ATTACHMANT	1
21	A3020	PINTLE BALL ATTACHMENT	1
22	-	BOLT, HEX, 1/2-13 UNC x 1-1/4	4
23	-	1/2 LOCK WASHER	4

**Section V - PARTS (cont'd)**  
**SERIES 40 LCG DRW**  
**PIVOTING PINTLE**



REF	PART #	DESCRIPTION	QPU
1	0809466	LCG SERIES 30 UNDERLIFT OUTER BOOM TUBE	1
2	72A30052	CYLINDER - STABILIZER/WHEEL LIFT EXTENSION	1
3	10262-PP	INNER PIVOTING PINTLE BOOM	1
4	63595	WEAR PAD NYLATRON NSM 1/2 x 2 x 4	4
5	86200E	SNAP RING - 2" EXTERNAL	2
6	143122	4K/6K UNDERLIFT HINGE PIN	4
7	72/372	WHEEL LIFT CYLINDER PIN	1
8	86125E	SNAP RING 1-1/4" EXTERNAL	6
9	72118	UNDERLIFT LIFT CYLINDER 4.0 x 18.063	2
10	0809899U	KEEPER PIN 1.230 x 6.00	2
11	-	BOLT, HHSC 3/8-16 UNC x 1-1/4	2
12	-	NYLON LOCK NUT 3/8-16 UNC	2
13	16362	STABILIZER PIN	4
14	-	BOLT, BHSC 3/8-16 UNC x 1	4
15	-	3/8 LOCK WASHER	4
16	7B130	GREASE FITTING 1/4-28 UNF	3
17	63595H	WEAR PAD NYLATRON NSM 1/2 x 2 x 4 W/HOLES	2
18	72938	PIN - W/L EXTENSION CYL 1.23 x 7-5/8	1
19	86125I	SNAP RING 1-1/4 " INTERNAL	4
20	14314PP	PIN - PIVOTING PINTLE HEAD	1
21	143350	PIVOTING PINTLE HEAD WELDMENT - 6K	1
22	A3020H	PINTLE HOOK ATTACHMANT	1
23	A3020	PINTLE BALL ATTACHMENT	1
24	-	BOLT, HEX, 1/2-13 UNC x 1-1/4	4
25	-	1/2 LOCK WASHER	4

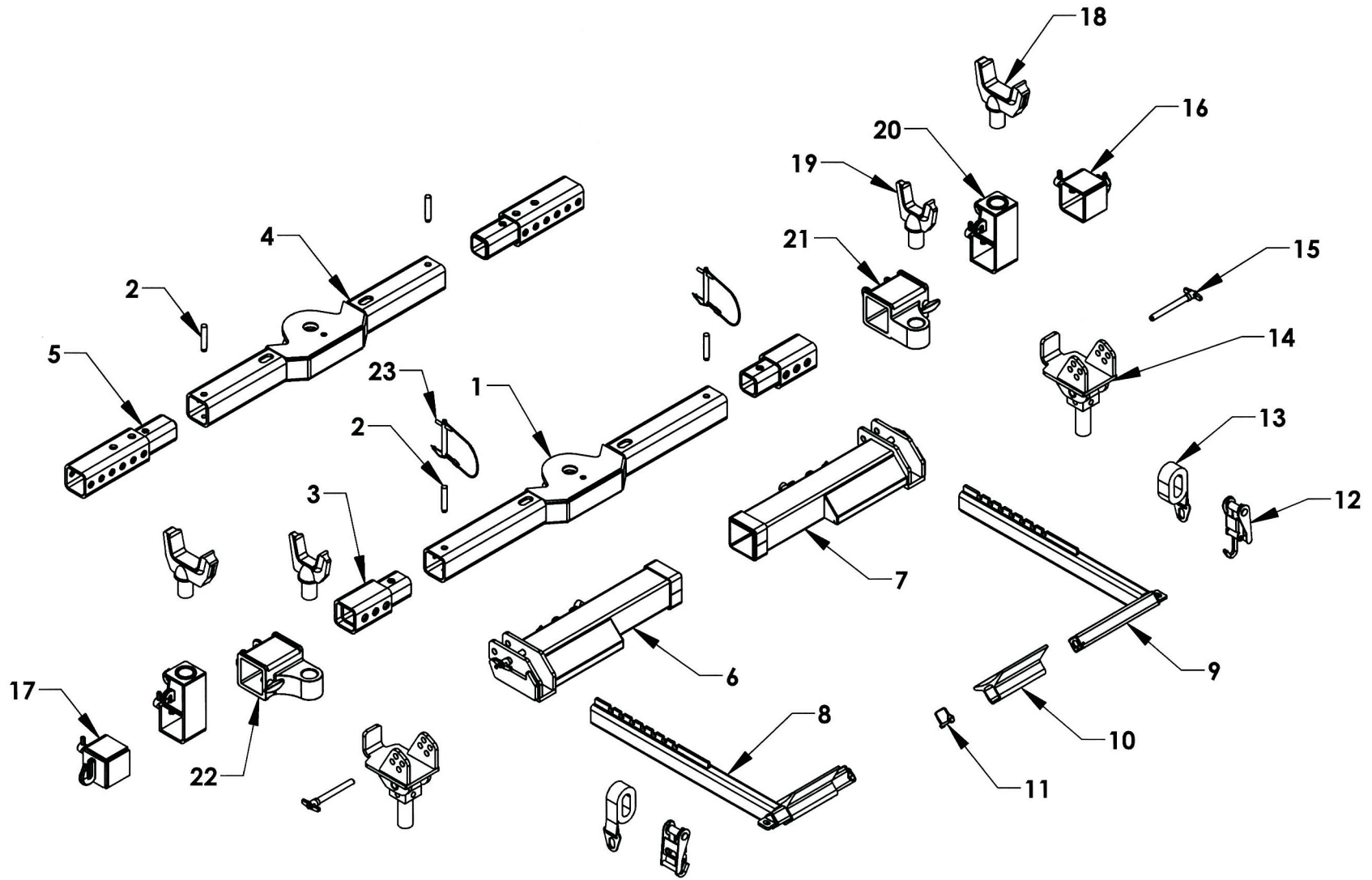
**Section V - PARTS (cont'd)**  
**INDUSTRIAL 40 LCG WHEEL LIFT**  
**10,000 LB.**



**Section V - PARTS (cont'd)**  
**INDUSTRIAL 40 LCG WHEEL LIFT 10,000 LB.**

REF	PART #	DESCRIPTION	QPU
1	0809498	OUTER BOOM WELDMENT	1
2	10292	INNER BOOM WELDMENT	1
3	143122	WHEEL LIFT HINGE PIN	1
4	14413	EXTEND CYLINDER MOUNTING PIN, 1.230 x 11-1/4	1
5	16362	LIFT CYLINDER ROD PIN	2
6	16363	LIFT CYLINDER BASE PIN	2
7	0750505	NYLATON BEARING PAD 5/8 x 2 x 4	2
8	63595H	SPACER PAD	2
9	72118	LIFT CYLINDER	2
10	7B130	GREASE FITTING, STRAIGHT	3
11	14412	EXTENSION CYLINDER MOUNTING PIN 1.230 x 7.500	1
12	685102	CROSSBAR WELDMENT 4 x 4 x 53-1/4	1
13	66260L	WHEEL GRID ASSEMBLY (LH)	1
14	66260R	WHEEL GRID ASSEMBLY (RH)	1
15	66250L	L-ARM (LH)	1
16	66250R	L-ARM (RH)	1
17	66430	CROSSBAR PIVOT PIN	1
18	65228	YOKE SPRING	1
19	66245	CROSSBAR EXTENSION PIN	2
20	812A9	3/8-16 x 1 BUTTON HEAD CAP SCREW	4
21	84922	T-PIN, 3/4 x 3-1/2	2
22	86200I	SNAP RING, 2 INCH INTERNAL	1
23	83125I	SNAP RING, 1-1/4 INCH INTERNAL	2
24	86125E	SNAP RING, 1-1/4 EXTERNAL	10
25	86200E	SNAP RING, 2 INCH EXTERNAL	2
26	7212740	EXTEND CYLINDER	1
27	63595	NYLATRON WEAR PAD 1/2 x 2 x 4	2

Section V - PARTS (cont'd)  
6K/10K UNDERLIFT ATTACHMENTS



## Section V - PARTS

### 6K/10K UNDERLIFT ATTACHMENTS

REF	PART #	DESCRIPTION	QPY
1	685102	CROSSBAR 4 x 4 x 53.25	1
2	68545	CROSSBAR EXTENSION PIN	2
3	68530	CROSSBAR EXTENSION	2
4	616090	CROSSBAR 4 x 4 x 44.625 (OPT)	1
5	6460950	CROSSBAR EXTENSION (OPT)	2
6	68260L	WHEEL GRID-LEFT	1
7	68260R	WHEEL GRID - RIGHT	1
8	66250L	6000 LB. L-ARM - LEFT	1
9	66250R	6000 LB. L-ARM - RIGHT	1
10	65245	REMOVABLE PAN	2
11	84911	5/16 SAFETY SNAP PIN	2
12	65280A	WHEEL LIFT RATCHET & HOOK ASSEMBLY	2
13	65285	WHEEL STRAP WITH D-RING	2
14	66320	SPRING SHACKLE ADAPTOR (OPT)	2
15	84923	T-PIN .75 x 6	2
16	66A210R	CROSSBAR END HOOK - RIGHT (OPT)	1
17	66A210L	CROSSBAR END HOOK - LEFT (OPT)	1
18	663545 (0200019)	FRAME FORK SHORT 4-1/2 IN. CAST (OPT)	2
19	663530 (0200018)	FRAME FORK - 3 INCH CAST (OPT)	2
20	66330	ELEVATED FORK HOLDER (OPT)	2
21	66285R (0803580)	OFFSET FORK HOLDER - CAST - RIGHT (OPT)	1
22	66285L (0803581)	OFFSET FORK HOLDER - CAST - LEFT (OPT)	1
23	0902378	RETAINER PIN (USE W/OFFSET CAST FORKS HLDRS)	1





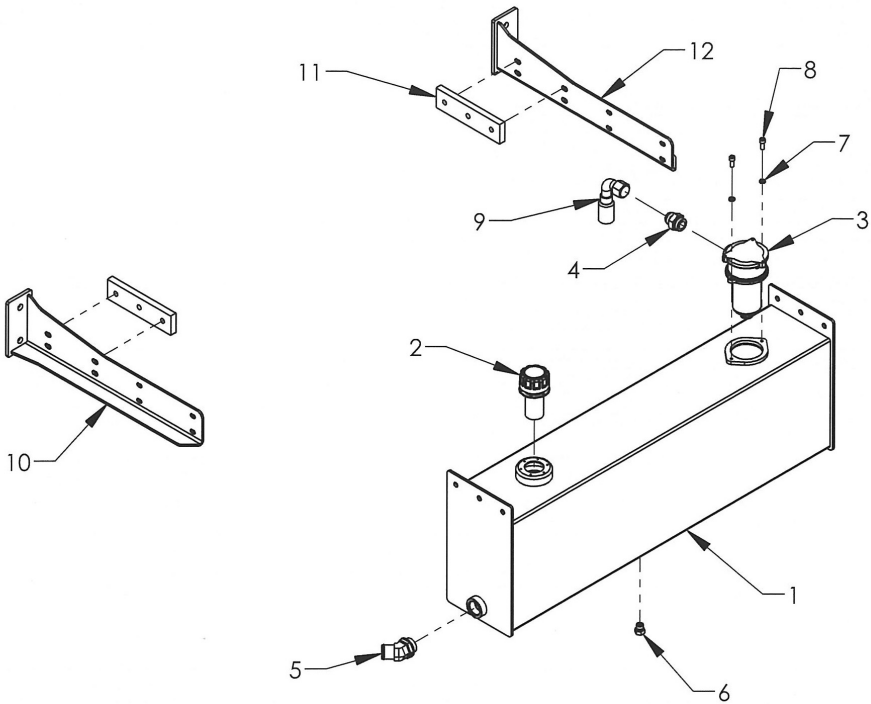
## Section V - PARTS

### 6-SPOOL CONTROL STATION

REF. NO.	NO. REQ'D	PART NUMBER	DESCRIPTION
1	1	18212L/18214L	5 SPOOL/6 SPOOL CONTROL PLACARD-LEFT
2	1	18126L	CONTROL PANEL - LEFT
3	1	181273L	CONTROL HOOD - LEFT
4	23		NYLON LOCK NUT 5/16-18 UNC
5	16		BOLT, BUTTON HEAD 5/16-18 UNC x 5/8
6	1	181286W	CONTROL BOX ARM WELDMENT - 79.5 IN.
7	1	181273R	CONTROL HOOD - RIGHT
8		18126R	CONTROL PANEL - RIGHT
9	1	18212R/18214R	5 SPOOL/6 SPOOL CONTROL PLACARD - RIGHT
10	1	0320031	CONTROL LIGHT - 2 WIRE
11	2	0320048-GR	GREEN CONTROL HANDLE
	4	0320048-BL	BLUE CONTROL HANDLE
	2	0320048-RD	RED CONTROL HANDLE
	4	0320048-GY	GREY CONTROL HANDLE
12	12		JAM NUT 1/2-13 UNC ZINC PLATE
13	12	7A1155	CONTROL HANDLE PIVOT BASE
14	12	84530	CLEVIS - RIGHT HAND THREAD
15	24	84620	CLEVIS PIN, 3/8 x 1-1/8
16	6	7A528W	CONTROL ROD 28-1/2
17	6	7A538W	CONTROL ROD 37-3/4
18	2	7A5753-17	CONTROL HANDLE CROSS ROD 3/4 x 17
19	4	86075E	SNAP RING 3/4 EXTERNAL
20	4		LOCK WASHER 3/8
21	4		BOLT, BUTTON HEAD 3/8-16 UNC x 3/4
22	4		BOLT, HHCS 1/4-20 UNC x 3/4
23	4		NYLON LOCK NUT 1/4-20 UNC
24	1	0809904	ANTI-TILT CONTROL ROD WELDMENT
25	3		BOLT, HHCS 5/16 -18 UNC x 2-3/4
26	1	74116	VALVE BODY GRESSEN 6 SPOOL
27	6	7A010LINK	CLEVIS LINK
28	12	84540	CLEVIS - LEFT HAND THREAD
29	6	7A121	BELL CRANK
30	6	7A010LINKPLATE	CLEVIS LINK PLATE
31	6	84610	CLEVIS PIN, 1/4 x 15/16
32	6	PC32850	AIR CYLINDER - 2 IN. STROKE

## Section V - PARTS

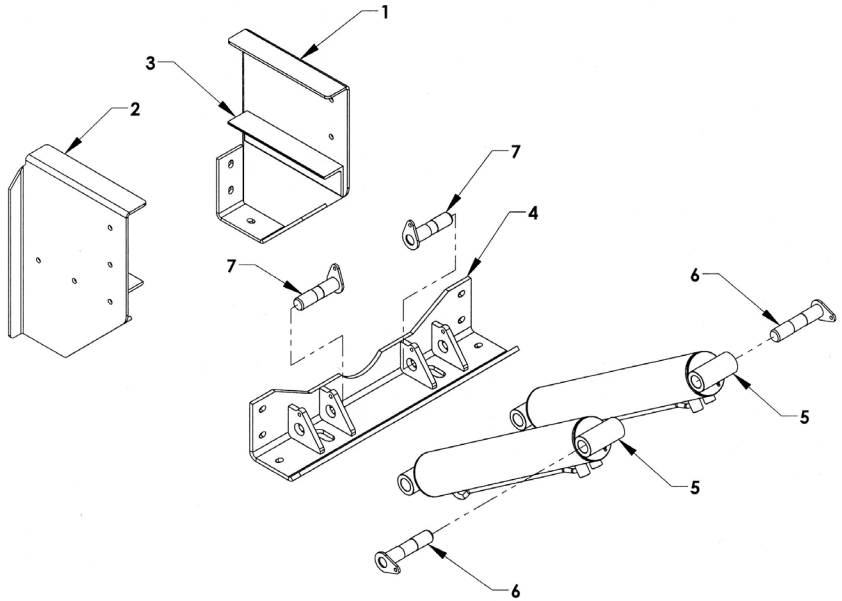
### OUTBOARD 24 GALLON HYDRAULIC TANK GROUP



REF	PART #	DESCRIPTION	QPU
1	0809490	OUTBOARD 24 GALLON OIL RESERVOIR	1
2	76213G	FILLER/BREATHER CAP ASSEMBLY	1
3	76270	IN-TANK FILTER ASSEMBLY #16 SAE PORT	1
4	ADPTR202702 16x16	ADAPTOR 202702 16x16	1
5	ADPTR2061 20x24H	ADAPTOR 2061 20x24H	1
6	0403113	#8 O-RING PLUG - ADAPTOR 900598-8	1
7	82220	LOCK WASHER 3/8	2
8	81212	CAP SCREW 3/8-16 UNC x 7/8 SS	2
9	HOSEEND-16H-16JICF90	HOSE END - 16H - 16JICF90	1
10	37855R	UNV. TOOLBOX & OIL TNK MTG.BRKT-R	1
11	12826	TOOLBOX SHIM (FOR 49 IN. ALUM. BOX)	2
12	37855L	UNV. TOOLBOX & OIL TNK MTG BRKT-L	1

## Section V - PARTS

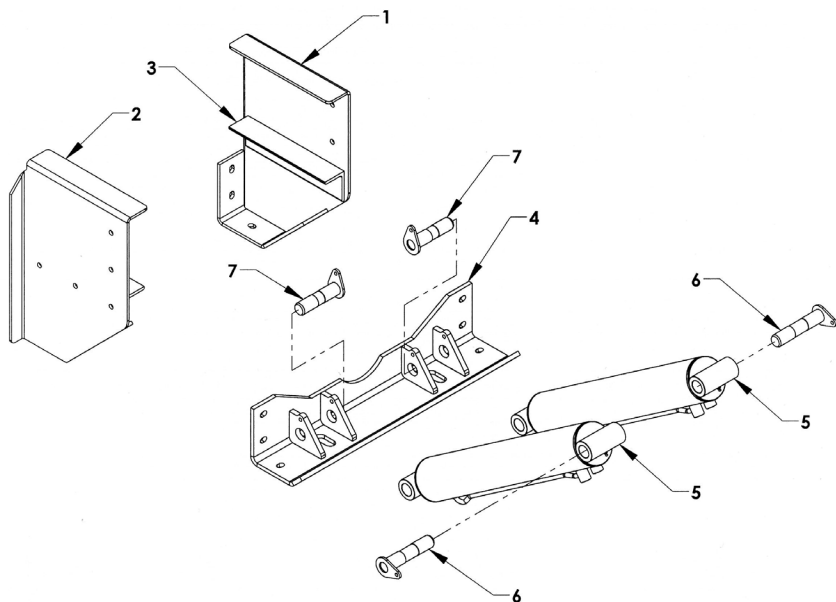
### 30/40 LCG TILT CYLINDER COMPONENTS (TANDEM AXLE CONFIGURATION)



REF	PART #	DESCRIPTION	QPU
1	1A510R	TILT CYLINDER SADDLE - RIGHT	1
2	1A510L	TILT CYLINDER SADDLE - LEFT	1
3	1A514	UNDERFRAME SUPPORT ANGLE	2
4	1A550	CONNECTING ANGLE - LCG	1
5	72A450265	TILT CYLINDER - LCG - 4.5 BORE x 26.563 STROKE	2
	72A450305	TILT CYLINDER - LCG - 4.5 BORE x 30.563 STROKE	2
6	0809477	TILT CYLINDER BASE PIN	2
7	1A555	TILT CYLINDER ROD PIN	2

## Section V - PARTS

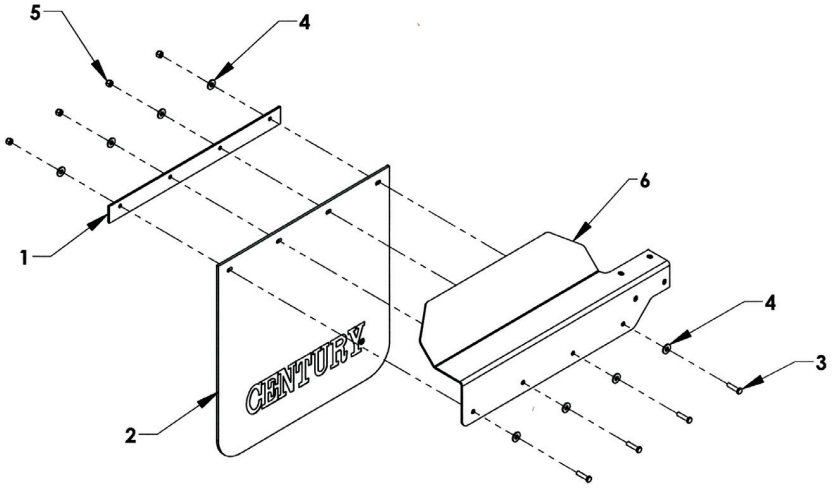
### 30/40 LCG TILT CYLINDER COMPONENTS (TRI-AXLE CONFIGURATION)



REF	PART #	DESCRIPTION	QPU
1	1A510TR	TILT CYLINDER SADDLE TRI-AXLE - RIGHT	1
2	1A510TL	TILT CYLINDER SADDLE TRI AXLE - LEFT	1
3	1A514	UNDERFRAME SUPPORT ANGLE	2
4	1A550	CONNECTING ANGLE - LCG	1
5	72A450335	TILT CYL - TRI-AXLE - LCG - 4.5 BORE x 33.563 STROKE	2
6	0809477	TILT CYLINDER BASE PIN	2
7	1A555	TILT CYLINDER ROD PIN	2

# Section V - PARTS

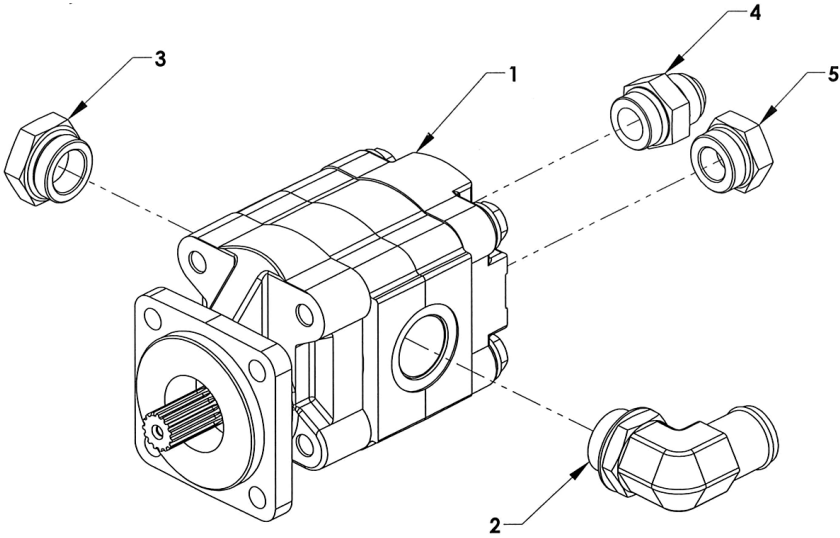
## MUDFLAP COMPONENTS



REF	PART #	DESCRIPTION	QPU
1	12359	MUDFLAP SUPPORT PLATE	1
2	0308419	MUDFLAP 24 x 24	1
3	81240	BOLT, HHCS 3/8-16 UNC x 1-1/2 BOLT	4
4	-	3/8 FLAT WASHER	8
5	-	3/8-16 UNC NYLON LOCK NUT	4
6	071024-29L	WIDE AL SPLASH GUARD L. REAR - L. FRONT	1
	071024-29R	WIDE AL SPLASH GUARD R REAR - R FRONT	1

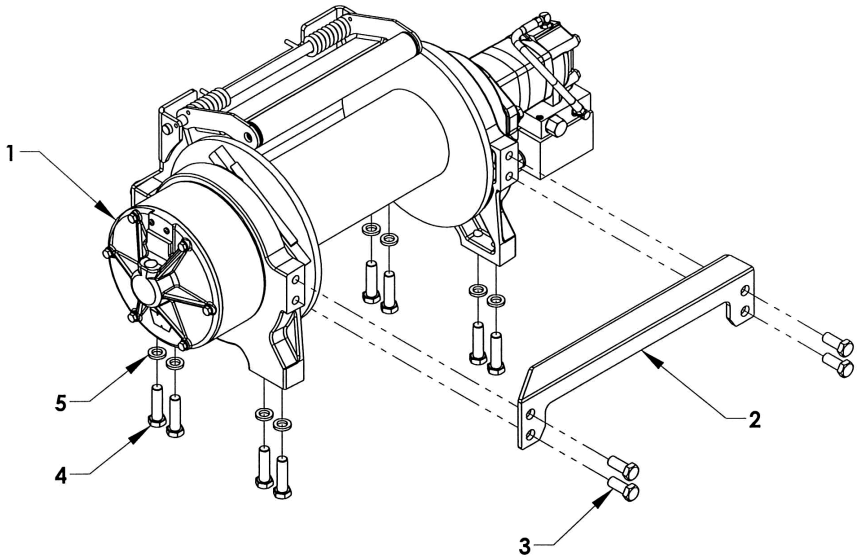
## Section V - PARTS

### DIRECT MOUNT PUMP



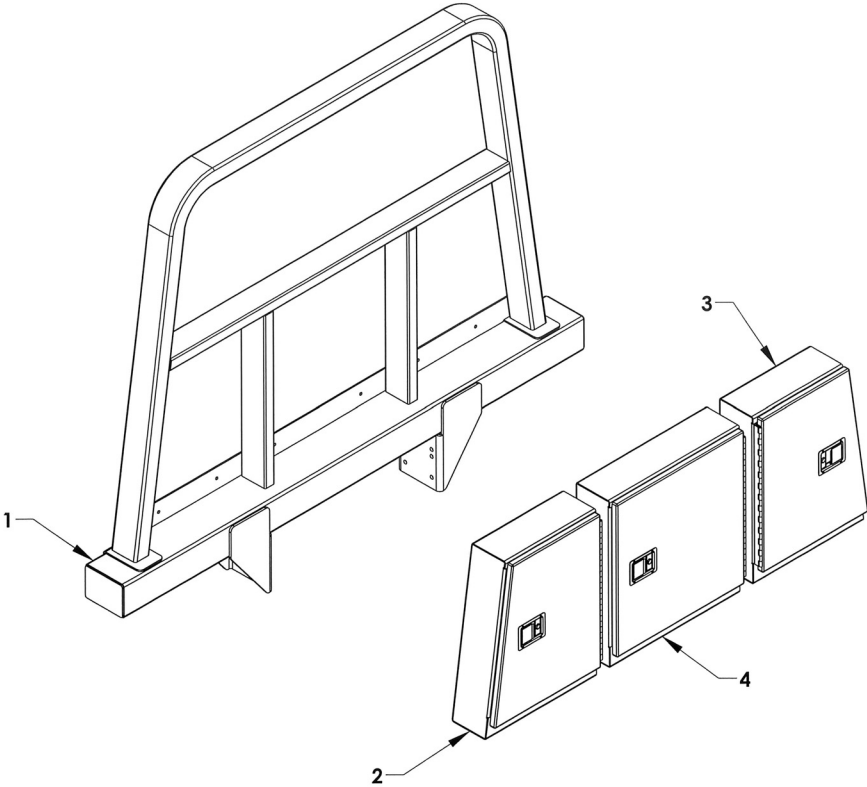
REF	PART #	DESCRIPTION	QPU
1	78006	PUMP-24 GPM , 1 IN. 15 SPLINE SHAFT, SAE 4-BOLT FLANGE	1
2	77C92	1-1/4 x 90 M-M O-RING x 1-1/2 NIPPLE	1
3	77620	1-1/4 O-RING PLUG 900598-20	1
4	779A8	1 O-RING x 1 JICF 202702 - 16 x 16	1
5	77616	1 O-RING PLUG 900598-16	1

**Section V - PARTS (cont'd)**  
**WARN SERIES 20XL PLANETARY WINCH GROUP**



REF	PART #	DESCRIPTION	QPU
1	7112014	WARN SERIES 20 PLANETARY WINCH	1
2	0750984	DRUM SUPPORT CROSSBAR	7
3	81510	BOLT 5/8-11 UNC x 1-1/2 GR 5 ZINC PLATED	8
4	81522	BOLT 5/8-11 UNC x 2-1/4 GR 8 ZINC PLATED	8
5	82420	LOCK WASHER 5/8 ZINC PLATED	8

**Section V - PARTS (cont'd)**  
**TRI-BOX PYLON**

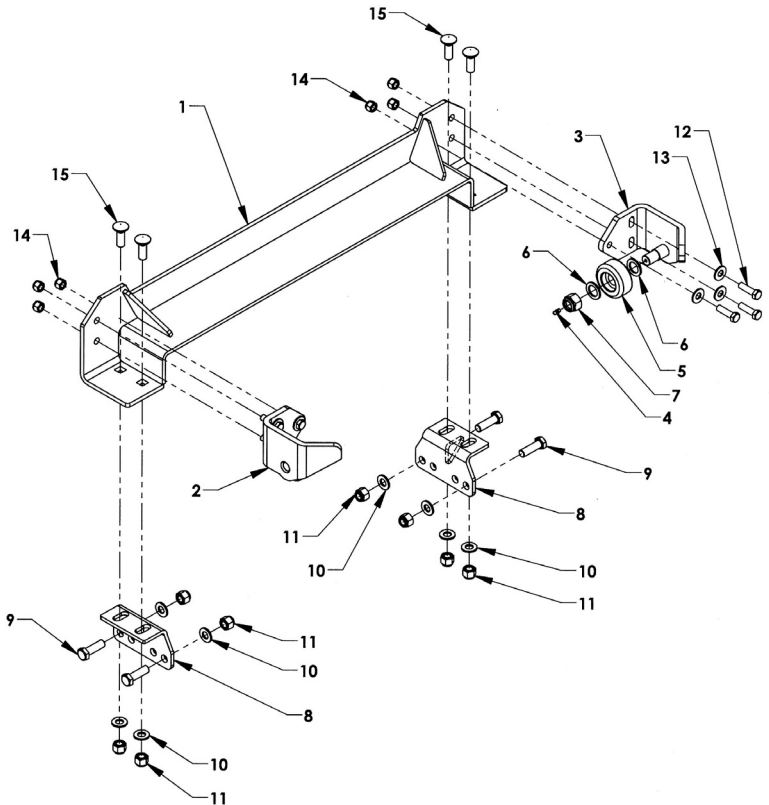


REF	PART #	DESCRIPTION	QPU
1	354656	FRAME MOUNTED PYLON BASE WLMT - 56 INCHES	1
	354660	FRAME MOUNTED PYLON BASE WLMT - 60 INCHES	1
	354663	FRAME MOUNTED PYLON BASE WLMT - 63 INCHES	1
	354668	FRAME MOUNTED PYLON BASE WLMT - 68 INCHES	1
2	374010L	PYLON BOX - LEFT	1
3	374010R	PYLON BOX - RIGHT	1
4	374020	PYLON BOX - CENTER	1
		BOX MOUNTING HARDWARE	
	81230	3/8-16 UNC x 1-1/4 HEX HD BOLT	12
	83211	3/8-16 UNC NYLON LOCK NUT	12
	82210	5/8 FLAT WASHER	24
		FRAME BRACKET HARDWARE	
	81520	5/8-11 UNC x 2 HEX HD BOLT	8
	83411	5/8-11 UNC NYLON LOCK NUT	8
	82410	5/8 FLAT WASHER	16



## Section V - PARTS

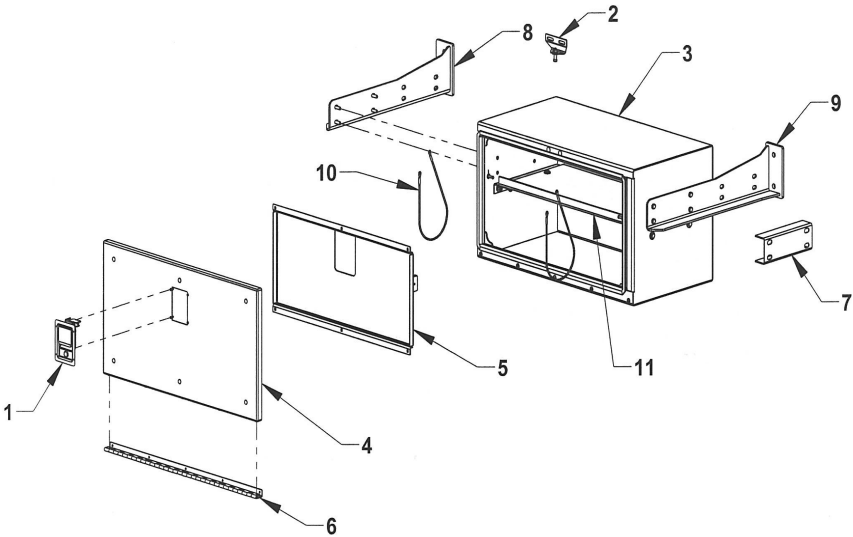
### BODY LOCK ASSEMBLY - 364220K



REF. NO.	NO. REQ'D	PART NUMBER	DESCRIPTION
1	1	364220	LCG BODY LOCK WELDMENT-SETBACK CAPABLE
2	1	36315L	BODY LOCK HOLD-DOWN - LEFT
3	1	36315R	BODY LOCK HOLD-DOWN - RIGHT
4	2	7B130	GREASE FITTING 1/4-28
5	2	36310	ROLLER WHEEL
6	4		FLAT WASHER 1
7	2		NYLON LOCK NUT, 7/8-14 UNF
8	2	0809183	MOUNTING BRACKET
9	4		BOLT, 5/8-11 HHCS UNC x 2 GRADE 5
10	8		FLAT WASHER 5/8
11	8		NYLON LOCK NUT, 5/8-11 UNC
12	6		BOLT, HHCS 1/2-20 UNF x 1-1/4
13	6		FLAT WASHER, 1/2 IN.
14	6		NYLON LOCK NUT, 1/2-20 UNF
15	4		CARRIAGE BOLT 5/8-11 x 1-3/4

## Section V - PARTS

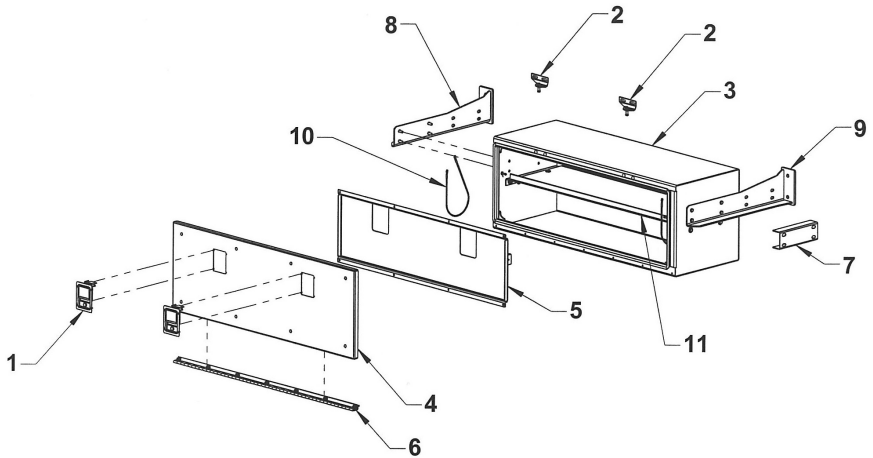
### 33" ALUMINUM TOOLBOX - 377000



REF	PART #	DESCRIPTION	QPU
1	54658	ROTARY PADDLE LATCH	1
	54657	GASKET FOR PADDLE LATCH	1
	81111	#8-32 X 1/2 STAINLESS ONE WAY SCREW	4
	83111	#8-32 STAINLESS KEPT NUT	4
2	376182	STRIKER PIN MOUNTING PLATE	1
	54659	STRIKER PIN	1
	81115	STAINLESS CARRIAGE BOLT 5/16-18 x 3/4	2
	82110	FLAT WASHER 5/16	4
	82130	LOCK WASHER 5/16	2
	83110	NUT 5/16-18	2
	83125	NYLON LOCK NUT 5/16-18	1
	377100W	BOX WELDMENT	1
4	37741	DOOR WELDMENT	1
	37740	DOOR ASSEMBLY	1
	81100	STAINLESS CARRIAGE BOLT 1/4-20 x 3/4	6
	83105	NYLON LOCK NUT 1/4-20	6
	37744	DOOR REINFORCEMENT	1
6	37735	HINGE	1
	811014	SS SOCKET BUTTON HEAD BOLT 1/4-20 x 7/8	2
	811012	SS SOCKET BUTTON HEAD BOLT 1/4-20 x 3/4	3
	811010	SS SOCKET BUTTON HEAD BOLT 1/4-20 x 5/8	5
	83105	NYLON LOCK NUT 1/4-20	10
7	37760	TANDEM BOX SPACER CHANNEL (OPTIONAL)	1
8	37855R	TANK AND TOOLBOX MT BRACKET-RIGHT	1
9	37855L	TANK AND TOOLBOX MT BRACKET-LEFT	1
10	5A221	LANYARD-21 INCH	2
11	37770	SHELF	1

## Section V - PARTS

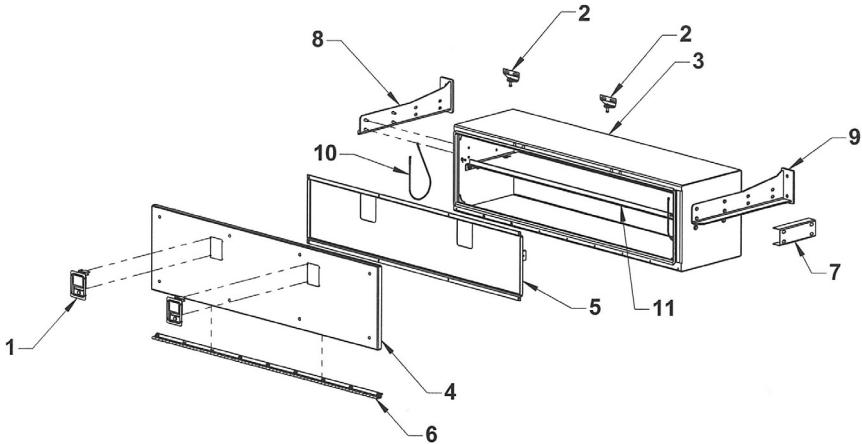
### 49" ALUMINUM TOOLBOX - 378000



REF	PART #	DESCRIPTION	QPU	
1	54658	ROTARY PADDLE LATCH	2	
	54657	GASKET FOR PADDLE LATCH	2	
	81111	#8-32 X 1/2 STAINLESS ONE WAY SCREW	8	
	83111	#8-32 STAINLESS KEPT NUT	8	
	2	376182	STRIKER PIN MOUNTING PLATE	2
2	54659	STRIKER PIN	2	
	81115	STAINLESS CARRIAGE BOLT 5/16-18 x 3/4	4	
	82110	FLAT WASHER 5/16	8	
	82130	LOCK WASHER 5/16	4	
	83110	NUT 5/16-18	4	
	83125	NYLON LOCK NUT 5/16-18	2	
	3	378100W	BOX WELDMENT	1
	4	37841	DOOR WELDMENT	1
37840		DOOR ASSEMBLY	1	
81100		STAINLESS CARRIAGE BOLT 1/4-20 x 3/4	8	
83105		NYLON LOCK NUT 1/4-20	8	
5		37844	DOOR REINFORCEMENT	1
6	37835	HINGE	1	
	811014	SS SOCKET BUTTON HEAD BOLT 1/4-20 x 7/8	2	
	811012	SS SOCKET BUTTON HEAD BOLT 1/4-20 x 3/4	5	
	811010	SS SOCKET BUTTON HEAD BOLT 1/4-20 x 5/8	7	
	83105	NYLON LOCK NUT 1/4-20	14	
7	37760	TANDEM BOX SPACER CHANNEL (OPTIONAL)	1	
8	37855R	TANK AND TOOLBOX MT BRACKET-RIGHT	1	
9	37855L	TANK AND TOOLBOX MT BRACKET-LEFT	1	
10	5A221	LANYARD-21 INCH	2	
11	37670	SHELF	1	

## Section V - PARTS

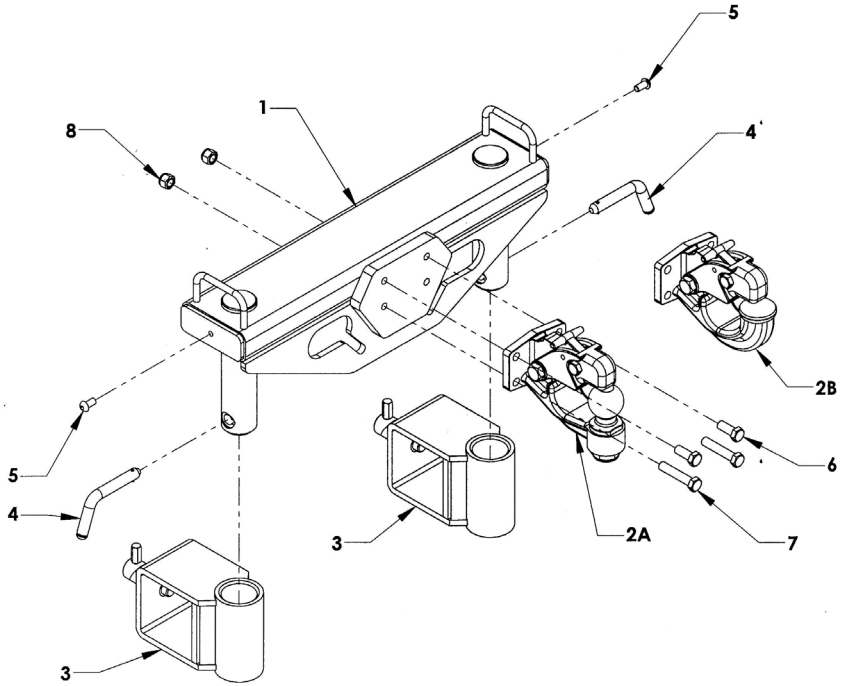
### 65" ALUMINUM TOOLBOX - 379000



REF	PART #	DESCRIPTION	QPU	
1	54658	ROTARY PADDLE LATCH	2	
	54657	GASKET FOR PADDLE LATCH	2	
	81111	#8-32 X 1/2 STAINLESS ONE WAY SCREW	8	
	83111	#8-32 STAINLESS KEPT NUT	8	
2	376182	STRIKER PIN MOUNTING PLATE	2	
	54659	STRIKER PIN	2	
	81115	STAINLESS CARRIAGE BOLT 5/16-18 x 3/4	4	
	82110	FLAT WASHER 5/16	8	
	82130	LOCK WASHER 5/16	4	
	83110	NUT 5/16-18	4	
	83125	NYLON LOCK NUT 5/16-18	2	
	3	379100W	BOX WELDMENT	1
	4	37941	DOOR WELDMENT	1
37940		DOOR ASSEMBLY	1	
81100		STAINLESS CARRIAGE BOLT 1/4-20 x 3/4	8	
83105		NYLON LOCK NUT 1/4-20	8	
5		37944	DOOR REINFORCEMENT	1
6	37935	HINGE	1	
	811014	SS SOCKET BUTTON HEAD BOLT 1/4-20 x 7/8	2	
	811012	SS SOCKET BUTTON HEAD BOLT 1/4-20 x 3/4	7	
	811010	SS SOCKET BUTTON HEAD BOLT 1/4-20 x 5/8	9	
	83105	NYLON LOCK NUT 1/4-20	18	
7	37760	TANDEM BOX SPACER CHANNEL (OPTIONAL)	1	
8	37855R	TANK AND TOOLBOX MT BRACKET-RIGHT	1	
9	37855L	TANK AND TOOLBOX MT BRACKET-LEFT	1	
10	5A221	LANYARD-21 INCH	2	
11	37970	SHELF	1	

## Section V - PARTS

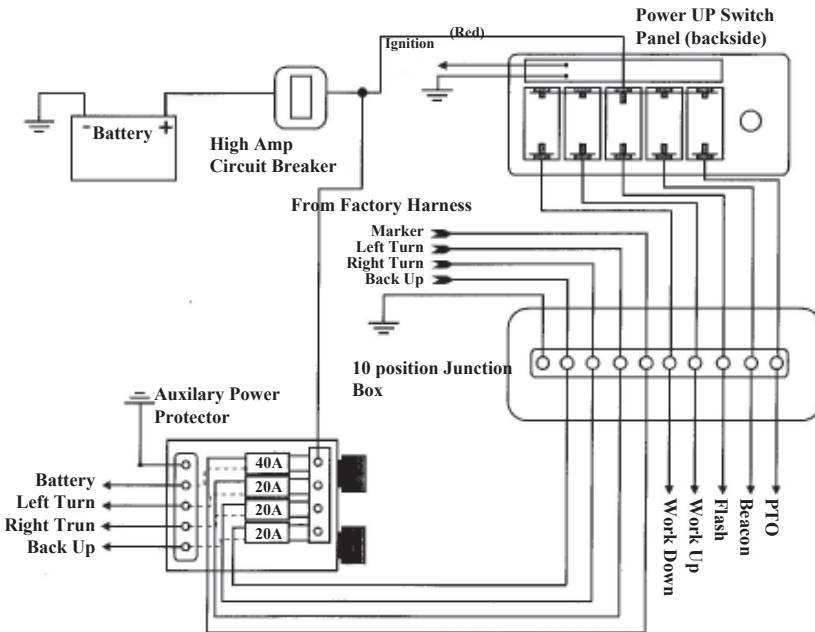
### PINTLE HITCH GROUP



REF	PART #	DESCRIPTION	QPU
	66370G	PINTLE HITCH GROUP	1
1	66370W	PINTLE HITCH WELDMENT	1
2A	A3020	TOW BALL PINTLE HITCH	1
2B	A3020H	PINTLE HOOK	1
3	66280	FORK HOLDER - 4 IN. CROSSBAR	2
	65460	FORK HOLDER - 3-1/2 IN. CROSSBAR	2
4	66378	RETAINING PIN	2
5	812A6	3/8 X 5/8 BUTTONHEAD BOLT	4
	5A220	LANYARD	2
6	81428	BOLT 1/2-13 X 1.25 GRADE 8 SECURE WITH LOCTITE	2
7	81449	BOLT 1/2-13 X 2.5 GRADE 8	2
8	82312	1/2-13 NUT NYLOK	2

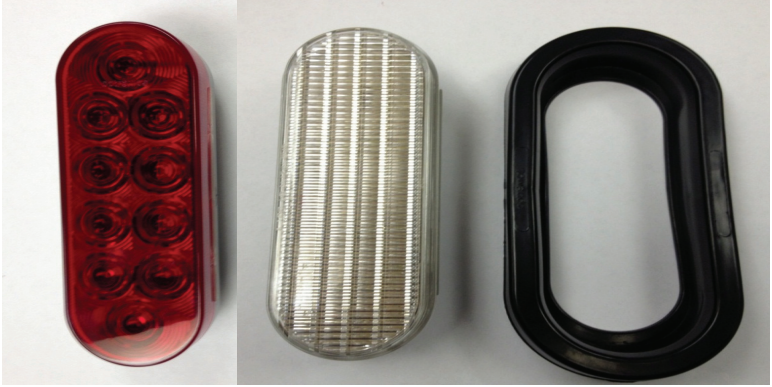
# Section V - PARTS (cont'd)

## OPTIONAL DASHBOARD PANEL

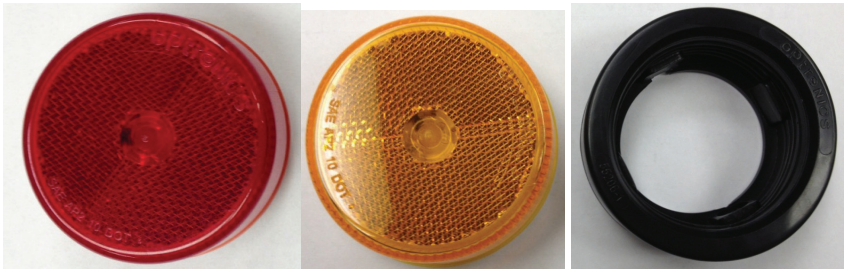


## Section V - PARTS

### LIGHT KIT



REF. NO.	PART NUMBER	DESCRIPTION
1	0311498	LIGHT 6" OVAL RED LED - STOP/TURN
2	0311500	LIGHT 6" OVAL REVERSE LED
3	3011503	LIGHT 6" GROMMET



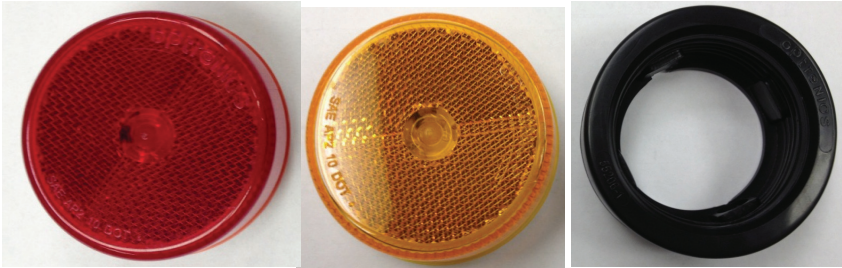
REF. NO.	PART NUMBER	DESCRIPTION
1	0311512	LIGHT 2.5" RED REFLEX LED (MCL59RB)
2	0311513	LIGHT 2.5" AMBER REFLEX LED (MCL59AB)
3	0311516	LIGHT 2.5" GROMMET

**Section V- PARTS**

**LIGHT KIT**



REF. NO.	PART NUMBER	DESCRIPTION
1	0311498	LIGHT 6" OVAL RED LED - STOP/TURN
2	0311500	LIGHT 6" OVAL REVERSE LED
3	3011503	LIGHT 6" GROMMET



REF. NO.	PART NUMBER	DESCRIPTION
1	0311512	LIGHT 2.5" RED REFLEX LED (MCL59RB)
2	0311513	LIGHT 2.5" AMBER REFLEX LED (MCL59AB)
3	0311516	LIGHT 2.5" GROMMET



## Section V - PARTS

### LIGHT KIT



REF. NO.	PART NUMBER	DESCRIPTION
1	0311519	RED 3/4 LED ICC LIGHT



REF. NO.	PART NUMBER	DESCRIPTION
1	0311520	RED 3/4 LED LIGHT

# Section V- PARTS

## LIGHT KIT



REF. NO.	PART NUMBER	DESCRIPTION
1	0311521	AMBER 3/4 ROUND LED LIGHT



REF. NO.	PART NUMBER	DESCRIPTION
1	0311522	CLEAR/RED 3/4 ROUND LED LIGHT



REF. NO.	PART NUMBER	DESCRIPTION
1	0311523	CLEAR/AMBER 3/4 ROUND LED LIGHT

## Section V- PARTS

### LIGHT KIT



REF. NO.	PART NUMBER	DESCRIPTION
1	0308359	MARKER LIGHT RED REFLEX LED



REF. NO.	PART NUMBER	DESCRIPTION
1	0308360	MARKER LIGHT AMBER REFLEX LED

# Section V - PARTS

## LIGHT KIT



REF. NO.	PART NUMBER	DESCRIPTION
1	0308969R	MARKER LIGHT RED REFLEX LED



REF. NO.	PART NUMBER	DESCRIPTION
1	0308969A	MARKER LIGHT AMBER REFLEX LED

## Section V - PARTS

### LIGHT KIT



REF. NO.	PART NUMBER	DESCRIPTION
1	074027041ACL	MILLENIUM MARKER LIGHT CLEAR/AMBER



REF. NO.	PART NUMBER	DESCRIPTION
1	174027041RCL	MELLIENUM MARKER LIGHT CLEAR/RED

## Section V - PARTS

### LIGHT KIT



REF. NO.	PART NUMBER	DESCRIPTION
1	0308491	REFLECTOR - AMBER



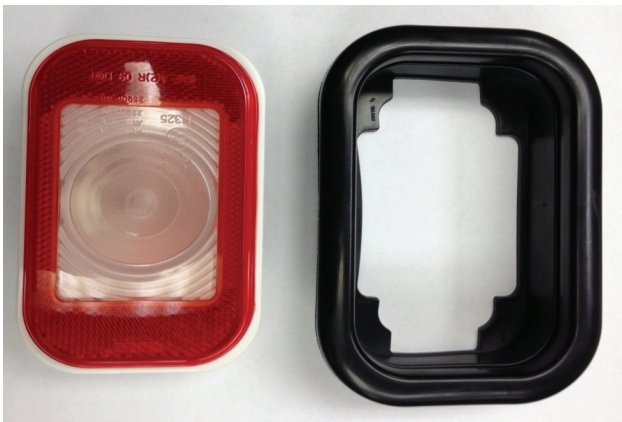
REF. NO.	PART NUMBER	DESCRIPTION
1	0308490	REFLECTOR - RED

## Section V - PARTS

### LIGHT KIT



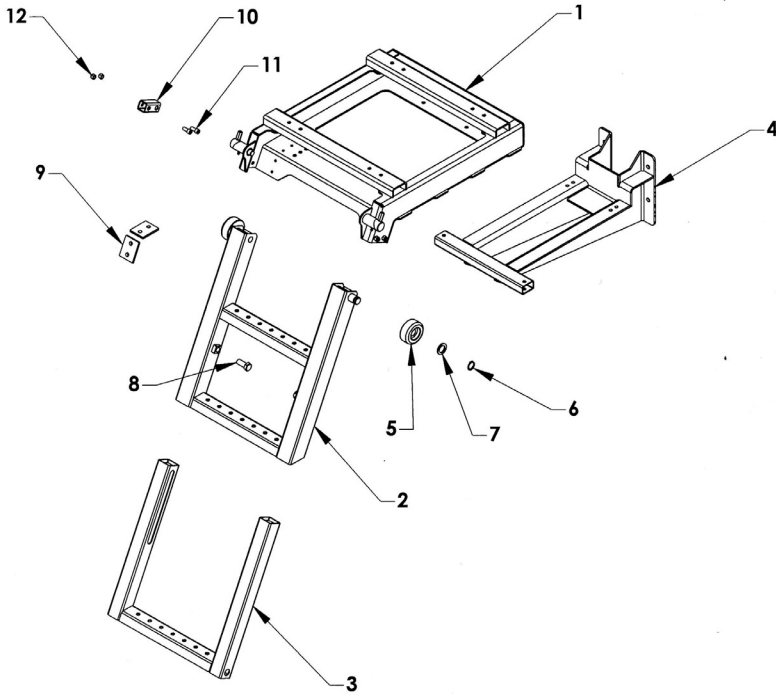
REF. NO.	PART NUMBER	DESCRIPTION
1	0308420	OVAL MID BODY TURN LED
1	0311513	OVAL MID BODY TURN GROMMET



REF. NO.	PART NUMBER	DESCRIPTION
1	0311510	RECTANGULAR REFLEX BACK UP
1	0311511	RECTANGULAR REFLEX BACK UP GROMMET

## Section V - PARTS

### LCG RETRACTABLE LADDER



REF	PART #	DESCRIPTION	QPU
	390000	LADDER ASSEMBLY	1
1	391010	LADDER CARRIAGE	1
2	391020	UPPER RUNG ASSEMBLY	1
3	391030	LOWER RUNG ASSEMBLY	1
4	391050	FRAME MOUNTING BRACKET - OPTIONAL	1
5	36310	WHEEL	2
6	86100E	RETAINING RING 1.00 EXTERNAL	2
7	82710	FLAT WASHER 1 x 1.50	2
8	391026	RETAINING BOLT 5/8-11 x 1-1/2	2
9	391018	WEAR PAD	4
10	391015	RETAINING TUBE	2
11	81211	ALLEN HEAD BOLT 3/8-16 x 1	4
12	83211	NYLON LOCK NUT 3/8-16	4