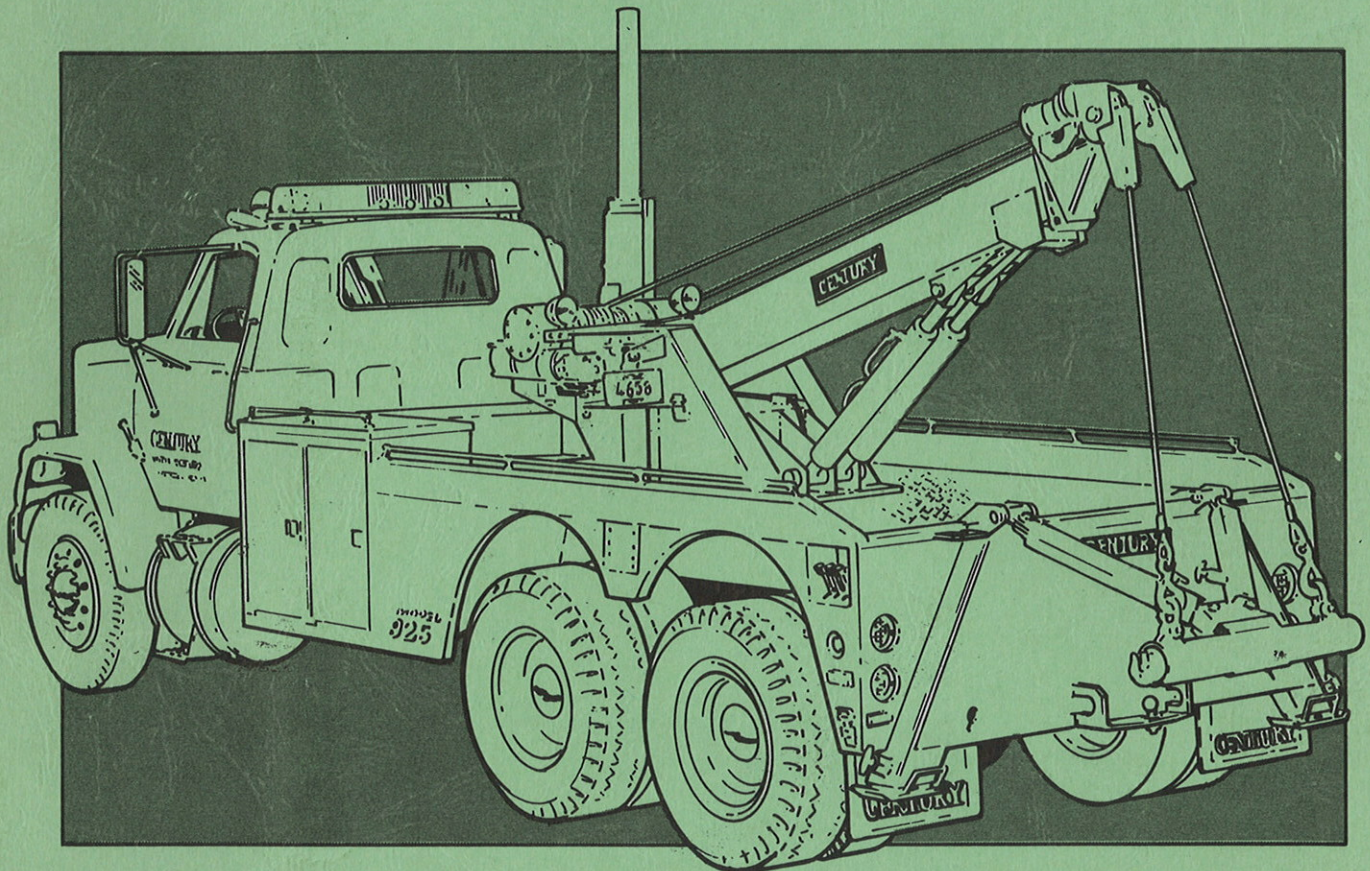


CENTURY

HYDRAULIC



OWNERS MANUAL

Installation, Operation, Maintenance & Parts

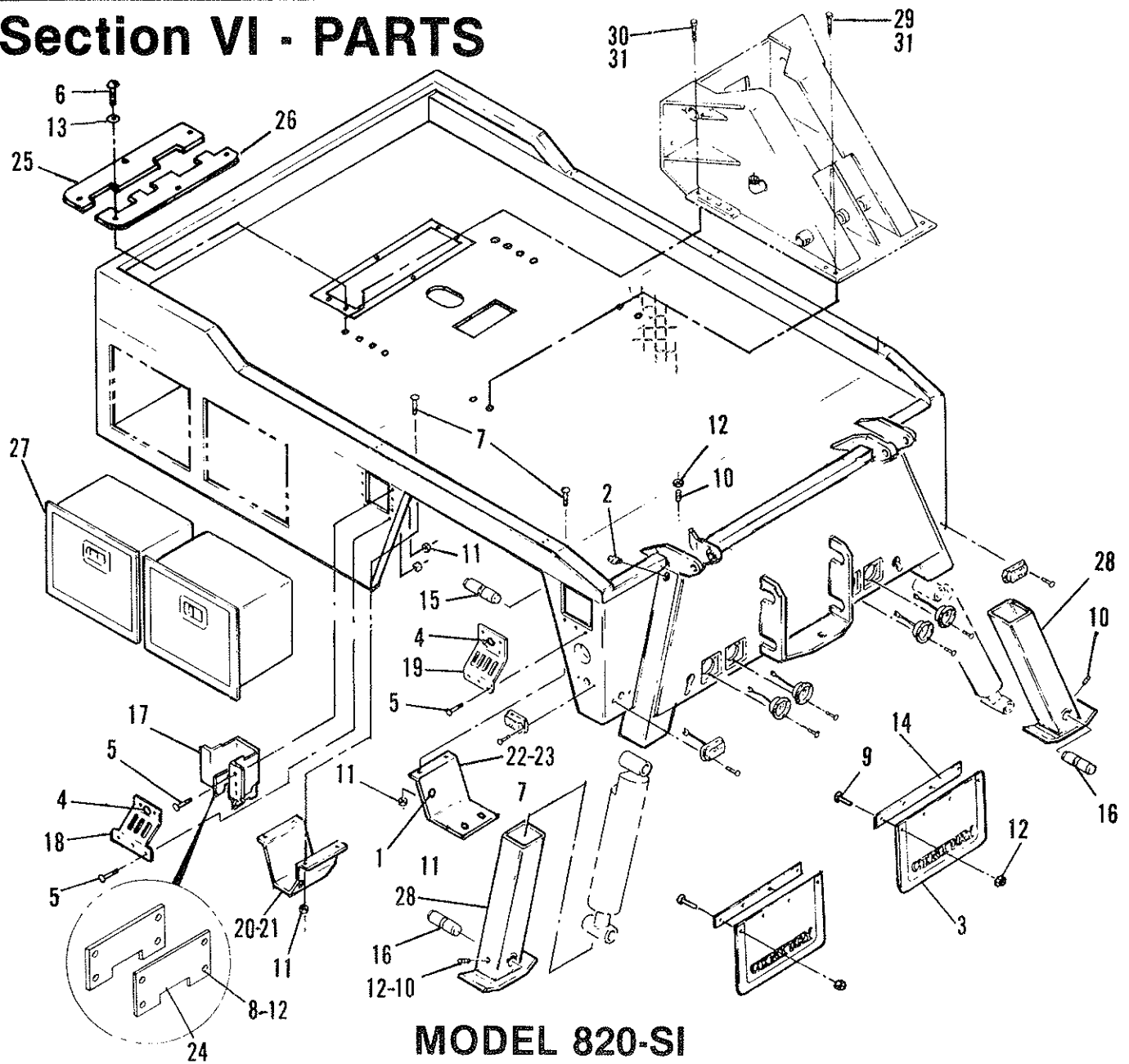
820 SERIES

**CENTURY
WRECKER
CORPORATION**

I-75 At Ooltewah Exit • P. O. Box 120 • Ooltewah (Chattanooga), TN 37383 • Telephone: (615) 238-4171 or (615) 267-1831

FORM NO. 0500110 6 80
PRICE \$15.00

Section VI - PARTS

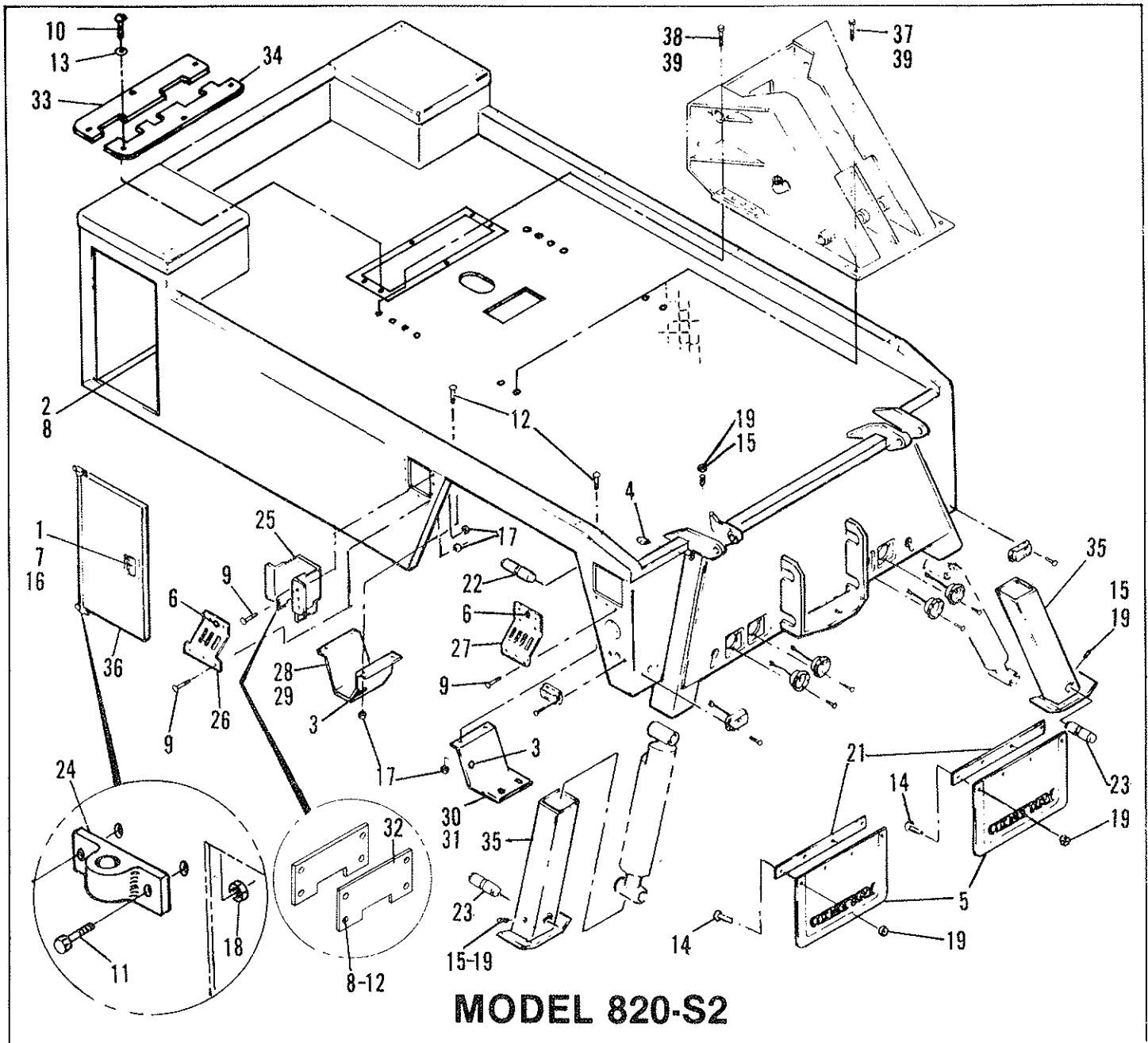


MODEL 820-SI

ITEM	PART NO.	DESCRIPTION	NO. REQ'D.
1	0300032	Hole Plug - 1" Dia.	4
2	0300413	Grease Fitting - Alemite 1641-B	2
3	0300140	Mud Flap	2
4	0300868	Hole Plug - 1-1/4" Dia.	4
5	0400046	Screw - 10-24 x 3/4 Pan Hd. - Self Tapping	24
6	0400070	Bolt - 1/4-20 x 3/4 Hex. Hd.	6
7	0400074	Screw - 1/4-20 x 1 Rd. Hd. Slotted	16
8	0400121	Bolt - 3/8-16 x 3/4 Hex. Hd.	8
9	0400126	Bolt - 3/8-16 x 1 Hex. Hd.	8
10	0400139	Set Screw - 3/8-16 Alien	4
11	0400366	Nut - 1/4-20 Plain	16
12	0400392	Nut - 3/8-16 Nylok	12
13	0400452	Lock Washer - 1/4 Helical	6
14	0700554	Bar - Mud Flap Mounting	2
15	0700883	Shaft - Jack - Upper	2
16	0700884	Shaft - Jack - Lower	2
17	0701018	Body - Control Panel	2
18	0701019	Cover - Control Panel - Front	2
19	0701020	Cover - Control Panel - Rear	2

ITEM	PART NO.	DESCRIPTION	NO. REQ'D.
20	0701064	Cover - Center - Side Control - Left	1
21	0701065	Cover - Center - Side Control - Right	1
22	0701066	Cover - Rear Side Control - Left	1
23	0701067	Cover - Rear Side Control - Right	1
24	0701138	Extension Plate - Body - Control Panel	4
25	0701126	Access Cover - Front	1
26	0701127	Access Cover - Rear	1
27	1201064	Tool Box - Optional	1.4
28	0800238	Jack Tube - Inner	2
WRECKER MOUNTING HARDWARE			
29	0400284	Bolt, Hex 3/4" - 10 x 2-1/4" GR 5	4
30	0400285	Bolt, Hex 3/4" - 10 x 3" GR 5	8
31	0400430	Nut, 3/4" - 10 Nylok	12

EVERY THIRTY DAYS; CHECK ALL WRECKER HOLD DOWN BOLTS.
TORQUE TO 260 FT. LBS.

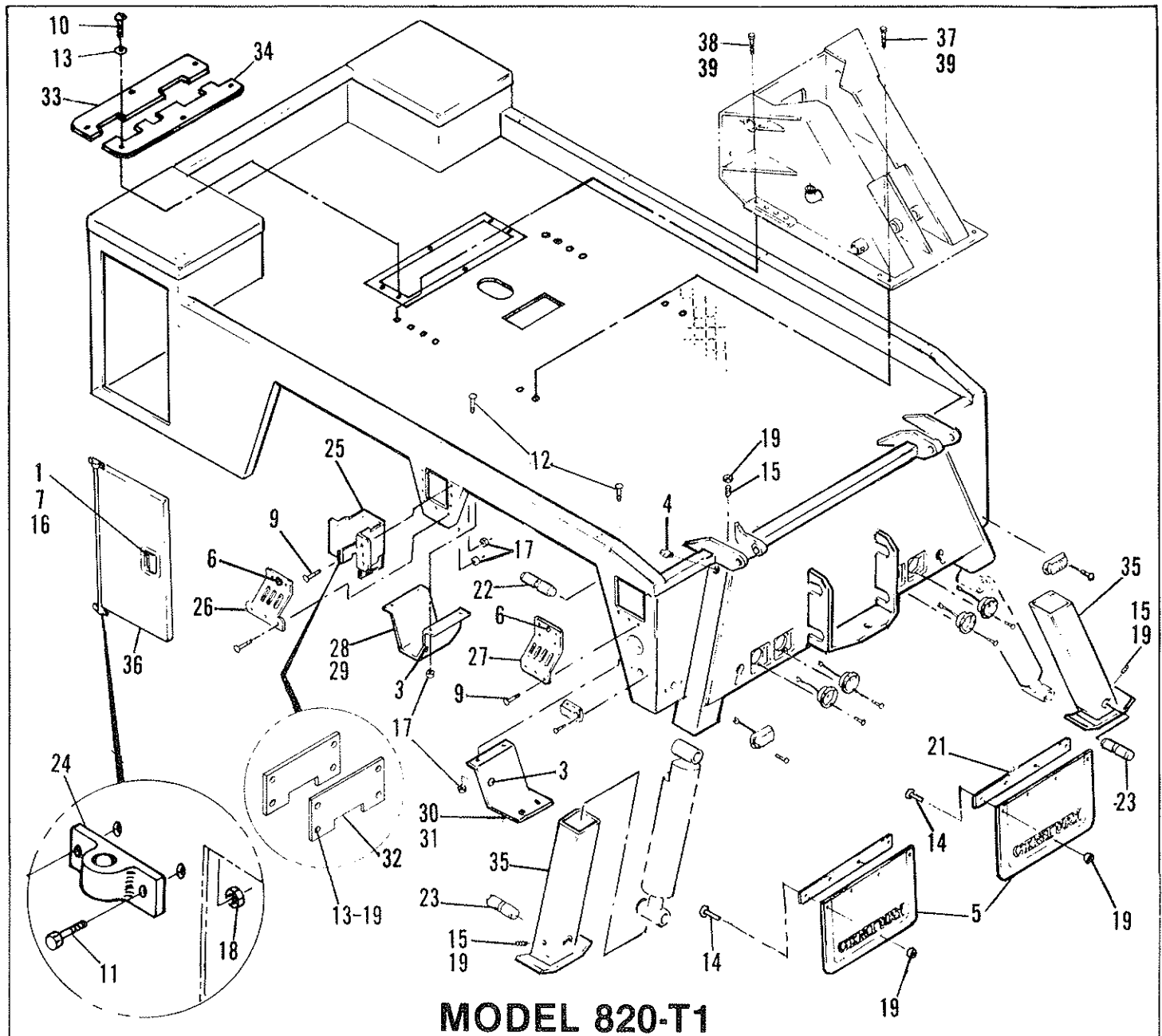


MODEL 820-S2

ITEM	PART NO.	DESCRIPTION	NO. REQ'D.
1	0300027	Latch - Tool Comp.	2
2	0300028	Striker - Latch	2
3	0300032	Hole Plug - 1"	4
4	0300113	Grease Fitting	2
5	0300140	Mud Flap	2
6	0300868	Hole Plug - 1-1/4"	4
7	0400021	Screw - Door Latch #8-32 x 1/2" Rd. Hd.	8
8	0400040	Screw - Latch Striker #10-32 x 3/8" Pan Hd.	4
9	0400046	Screw - #10-24 x 3/4 Pan Hd.	24
10	0400070	Bolt - 1/4-20 x 3/4 Hex Hd.	6
11	0400072	Screw - 1/4-20 x 1 Rd. Hd. (Phillips)	8
12	0400074	Screw - 1/4-20 x 1 Rd. Hd. Slotted	12
13	0400121	Bolt - 3/8-16 x 3/4 Hex Hd.	8
14	0400126	Bolt - 3/8-16 x 1 Hex Hd.	8
15	0400139	Set Screw - 3/8-16 x 1 Allen Socket	4
16	0400351	Nut - #8-32 Keps (Latch)	8
17	0400365	Nut - 1/4-20 Plain	12
18	0400367	Nut - 1/4-20 Nylok	8
19	0400392	Nut - 3/8-16 Nylok	12
20	0400452	Lock Washer - 1/4 Helical	6
21	0700554	Bar - Mud Flap Mounting	2

ITEM	PART NO.	DESCRIPTION	NO. REQ'D.
22	0700883	Shaft - Jack - Upper	2
23	0700884	Shaft - Jack - Lower	2
24	0700963	Pivot Block - (Door Hinge)	4
25	0701018	Body Control Panel	2
26	0701019	Cover - Control Panel - Front	2
27	0701020	Cover - Control Panel - Rear	2
28	0701064	Cover - Center - Side Control - Left	1
29	0701065	Cover - Center - Side Control - Right	1
30	0701066	Cover - Rear Side Control - Left	1
31	0701067	Cover - Rear Side Control - Right	1
32	0701138	Extension Plate - Body Control Panel	4
33	0701126	Access Cover - Front	1
34	0701127	Access Cover - Rear	1
35	0800238	Jack Tube - Inner	2
36	0800380	Door Weldment	2
WRECKER MOUNTING HARDWARE			
37	0400284	Bolt, Hex 3/4" - 10 x 2-1/4" GR 5	4
38	0400285	Bolt, Hex 3/4" - 10 x 3" GR 5	8
39	0400430	Nut, 3/4" 10 Nylok	12

EVERY THIRTY DAYS; CHECK ALL WRECKER HOLD DOWN BOLTS.
TORQUE TO 260 FT. LBS.

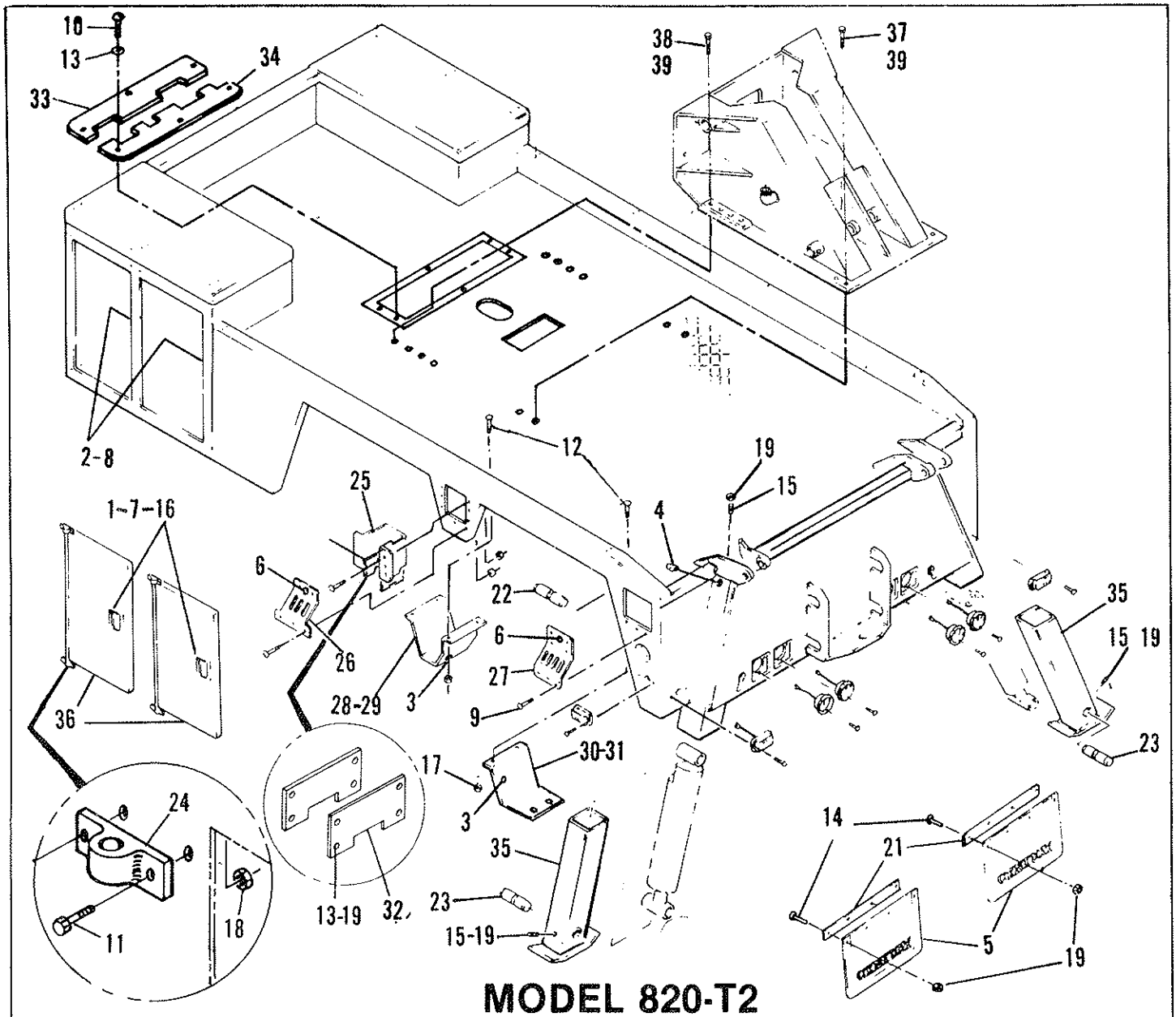


MODEL 820-T1

ITEM	PART NO.	DESCRIPTION	NO. REQ'D.
1	0300027	Latch - Tool Comp.	2
2	0300028	Striker - Latch	2
3	0300032	Hole Plug - 1"	4
4	0300113	Grease Fitting	2
5	0300140	Mud Flap	2
6	0300868	Hole Plug - 1-1/4"	4
7	0400021	Screw - Door Latch #8-32 x 1/2" Rd. Hd.	8
8	0400040	Screw - Latch Striker #10-32 x 3/8" Pan Hd	4
9	0400046	Screw - #10-24 x 1 Rd. Hd. Slotted	24
10	0400070	Bolt - 1/4-20 x 3/4 Hex Hd.	6
11	0400072	Screw - 1/4-20 x 1 Rd. Hd. (Phillips)	8
12	0400074	Screw - 1/4-20 x 1 Rd. Hd. Slotted	12
13	0400121	Bolt - 3/8-16 x 3/4 Hex Hd.	8
14	0400126	Bolt - 3/8-16 x 1 Hex Hd.	8
15	0400139	Set Screw - 3/8-16 x 1 Allen Socket	4
16	0400351	Nut - #8-32 Keps (Latch)	8
17	0400365	Nut - 1/4-20 Plain	12
18	0400367	Nut - 1/4-20 Nylok	8
19	0400392	Nut - 3/8-16 Nylok	12
20	0400452	Lock Washer - 1/4 Helical	6
21	0700554	Bar - Mud Flap Mounting	2

ITEM	PART NO.	DESCRIPTION	NO. REQ'D.
22	0700883	Shaft - Jack - Upper	2
23	0700884	Shaft - Jack - Lower	2
24	0700963	Pivot Block - (Door Hinge)	4
25	0701018	Body Control Panel	2
26	0701019	Cover - Control Panel - Front	2
27	0701020	Cover - Control Panel - Rear	2
28	0701064	Cover - Center - Side Control - Left	1
29	0701065	Cover - Center - Side Control - Right	1
30	0701066	Cover - Rear Side Control - Left	1
31	0701067	Cover - Rear Side Control - Right	1
32	0701138	Extension Plate - Body Control Panel	4
33	0701126	Access Cover - Front	1
34	0701127	Access Cover - Rear	1
35	0800238	Jack Tube - Inner	2
36	0800380	Door Weldment	2
WRECKER MOUNTING HARDWARE			
37	0400284	Bolt, Hex 3/4" - 10 x 2-1/4" GR 5	4
38	0400285	Bolt, Hex 3/4" - 10 x 3" GR 5	8
39	0400430	Nut, 3/4" - 10 Nylok	12

EVERY THIRTY DAYS; CHECK ALL WRECKER HOLD DOWN BOLTS.
TORQUE TO 260 FT. LBS.

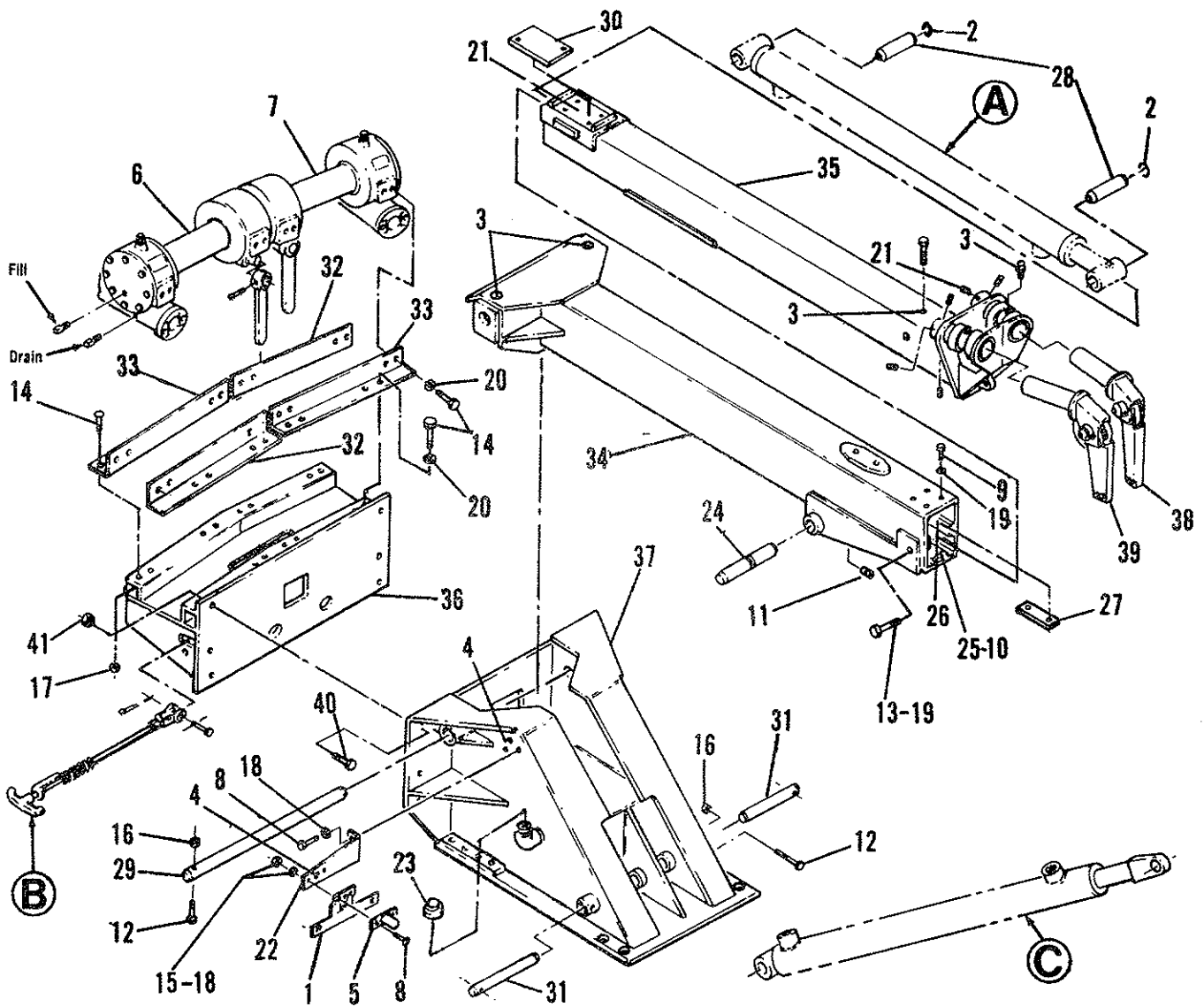


MODEL 820-T2

ITEM	PART NO.	DESCRIPTION	NO. REQ'D.
1	0300027	Latch - Tool Comp.	4
2	0300028	Striker - Latch	4
3	0300032	Hole Plug - 1"	4
4	0300113	Grease Fitting	2
5	0300140	Mud Flap	2
6	0300868	Hole Plug - 1-1/4"	4
7	0400021	Screw - Door Latch #8-32 x 1/2 Rd. Hd.	16
8	0400040	Screw - Latch Striker #10-32 x 3/8" Pan Hd.	8
9	0400046	Screw - #10-24 x 3/4 Pan Hd.	24
10	0400070	Bolt - 1/4-20 x 3/4 Hex Hd.	6
11	0400072	Screw - 1/4-20 x 1 Rd. Hd. (Phillips)	16
12	0400074	Screw - 1/4-20 x 1 Rd. Hd. Slotted	12
13	0400121	Bolt - 3/8-16 x 3/4 Hex Hd.	8
14	0400126	Bolt - 3/8-16 x 1 Hex Hd.	8
15	0400139	Set Screw - 3/8-16 x 1 Allen Socket	4
16	0400351	Nut - #8-32 Keps (Latch)	16
17	0400366	Nut - 1/4-20 Plain	12
18	0400367	Nut - 1/4-20 Nylok	16
19	0400392	Nut - 3/8-16 Nylok	12
20	0400452	Lock Washer - 1/4 Helical	6
21	0700554	Bar Mud Flap Mounting	2

ITEM	PART NO.	DESCRIPTION	NO. REQ'D.
22	0700883	Shaft-Jack - Upper	2
23	0700884	Shaft-Jack - Lower	2
24	0700963	Pivot Block - (Door Hinge)	8
25	0701018	Body - Control Panel	2
26	0701019	Cover - Control Panel - Front	2
27	0701020	Cover - Control Panel - Rear	2
28	0701064	Cover - Center - Side Control - Left	1
29	0701065	Cover - Center - Side Control - Right	1
30	0701066	Cover - Rear Side Control - Left	1
31	0701067	Cover - Rear Side Control - Right	1
32	0701138	Extension Plate-Body Control Panel	4
33	0701126	Access Cover - Front	1
34	0701127	Access Cover - Rear	1
35	0800238	Jack Tube - Inner	2
36	0800215	Door Weldment	2
WRECKER MOUNTING HARDWARE			
37	0400284	Bolt, Hex 3/4" - 10 x 2-1/4" GR 5	4
38	0400285	Bolt, Hex 3/4" - 10 x 3" GR 5	8
39	0400430	Nut, 3/4" - 10 Nylok	12

EVERY THIRTY DAYS: CHECK ALL WRECKER HOLD DOWN BOLTS.
TORQUE TO 280 FT. LBS.

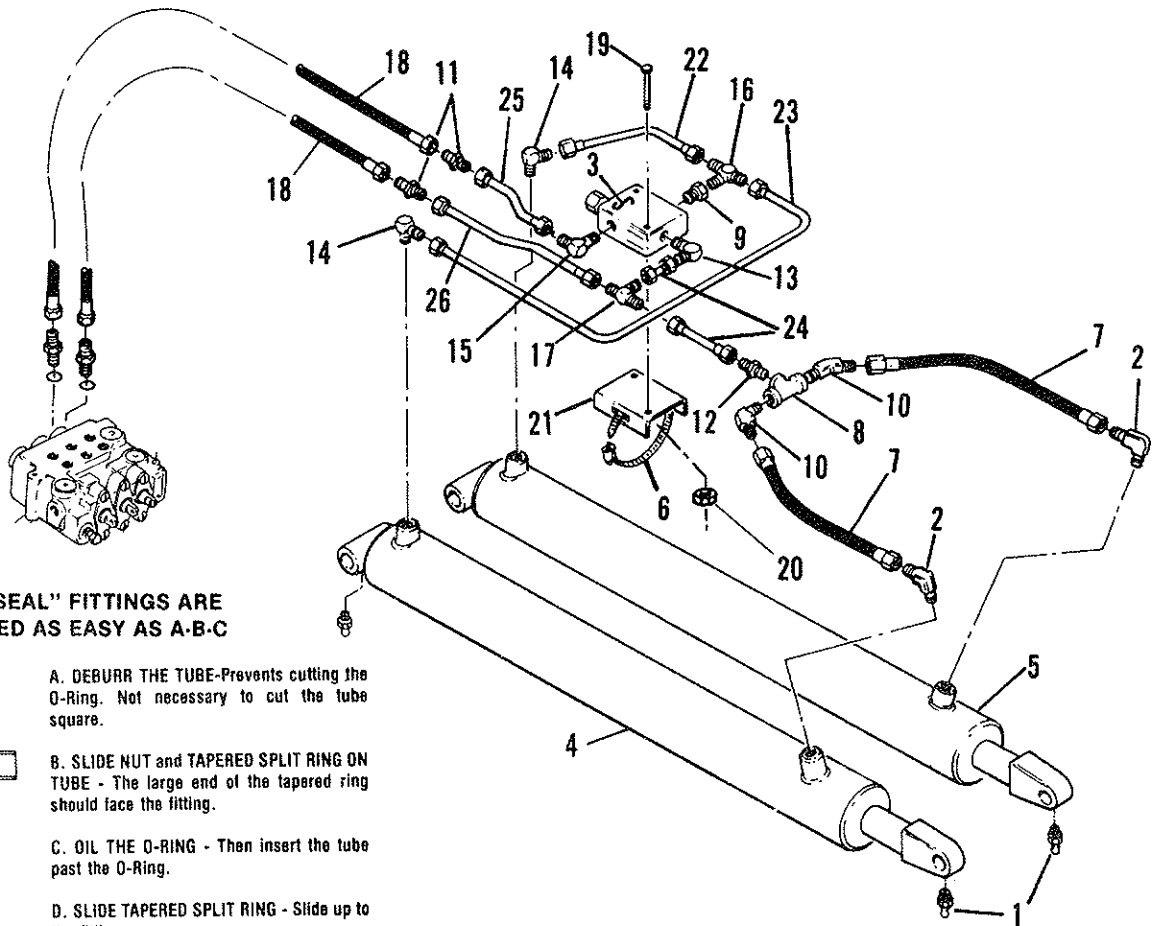


WRECKER ASS'Y

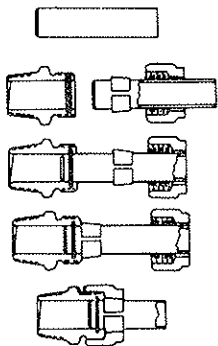
ITEM	PART NO.	DESCRIPTION	NO. REQ'D.
1	0300076	License Plate Holder	1
2	0300109	Snap Rings - Waldes 5100-150	4
3	0300113	Grease Fittings - Alemite 1641-B	5
4	0300117	Grommet - Rubber	2
5	0300273	License Plate Illuminator	1
6	0300605	Winch - Left Ramsey H700	1
7	0300606	Winch - Right Ramsey H700	1
8	0400061	1/4-20 x 3/4 Pan Head Screws	4
9	0400121	3/8-16 x 3/4 Cap Screws GR5 Plated	4
10	0400126	3/8-16 x 1 Cap Screws GR5 Plated	4
11	0400129	3/8-16 x 3/4 Allen Head Set Screw	1
12	0400130	3/8-16 x 3 1/2 Cap Screws GR5 Plated	3
13	0400141	3/8-16 x 7/8 Cap Screws GR5 Plated	4
14	0400260	5/8-11 x 2 Cap Screws GR5 Plated	16
15	0400366	1/4-20 Nut - Plain - Plated	4
16	0400392	3/8-16 Nut - Nylok - Plated	3
17	0400421	5/8-11 Nut - Nylok - Plated	8
18	0400452	1/4" Lockwasher - Helical	4

A - See Page 16
 B - See Page 21
 C - See Page 15

ITEM	PART NO.	DESCRIPTION	NO. REQ'D.
19	0400482	3/8" Lockwasher - Helical	12
20	0400508	5/8" Lockwasher - Helical	8
21	0400554	3/8 Dia. x 1" Roll Pins	8
22	0700190	License Plate Bracket	1
23	0700283	Cap - Reservoir	1
24	0700772	Shaft - Upper Elevation Cyl.	1
25	0700775	Slide Pad-Bottom 5/8 x 6 x 9	1
26	0700776	Slide Pad - Side 1/2 x 3 x 9	2
27	0700778	Spacer - Boom Top	2
28	0700780	Shaft - Extension Cylinder	2
29	0700781	Shaft - Boom Swivel	1
30	0700792	Slide Pad - Top 3/8 x 5-1/2 x 10	1
31	0700804	Shaft - Lower Elev. Cyl.	2
32	0701116	Angle - Winch Mtg. - Left Rear/Right Front	2
33	0701117	Angle - Winch Mtg. - Right Rear/Left Front	2
34	0800248	Outer Boom Weldment	1
35	0800249	Inner Boom Weldment	1
36	0800275	Dual Winch Mounting Weldment	1
37	0800362	Wrecker Frame Weldment	1
38	0900166	Swivel-Boom-Ass'y. Right (see page 21)	1
39	0900167	Swivel-Boom-Ass'y. Left (see page 21)	1
40	0400280	Bolts, Hex Hd. 3/4" - 10 x 1-3/4" GR 5	6
41	0400430	Nut 3/4" - 10 Nylok GR 5	6



"O-RING SEAL" FITTINGS ARE ASSEMBLED AS EASY AS A-B-C



A. DEBURR THE TUBE-Prevents cutting the O-Ring. Not necessary to cut the tube square.

B. SLIDE NUT and TAPERED SPLIT RING ON TUBE - The large end of the tapered ring should face the fitting.

C. OIL THE O-RING - Then insert the tube past the O-Ring.

D. SLIDE TAPERED SPLIT RING - Slide up to the fitting.

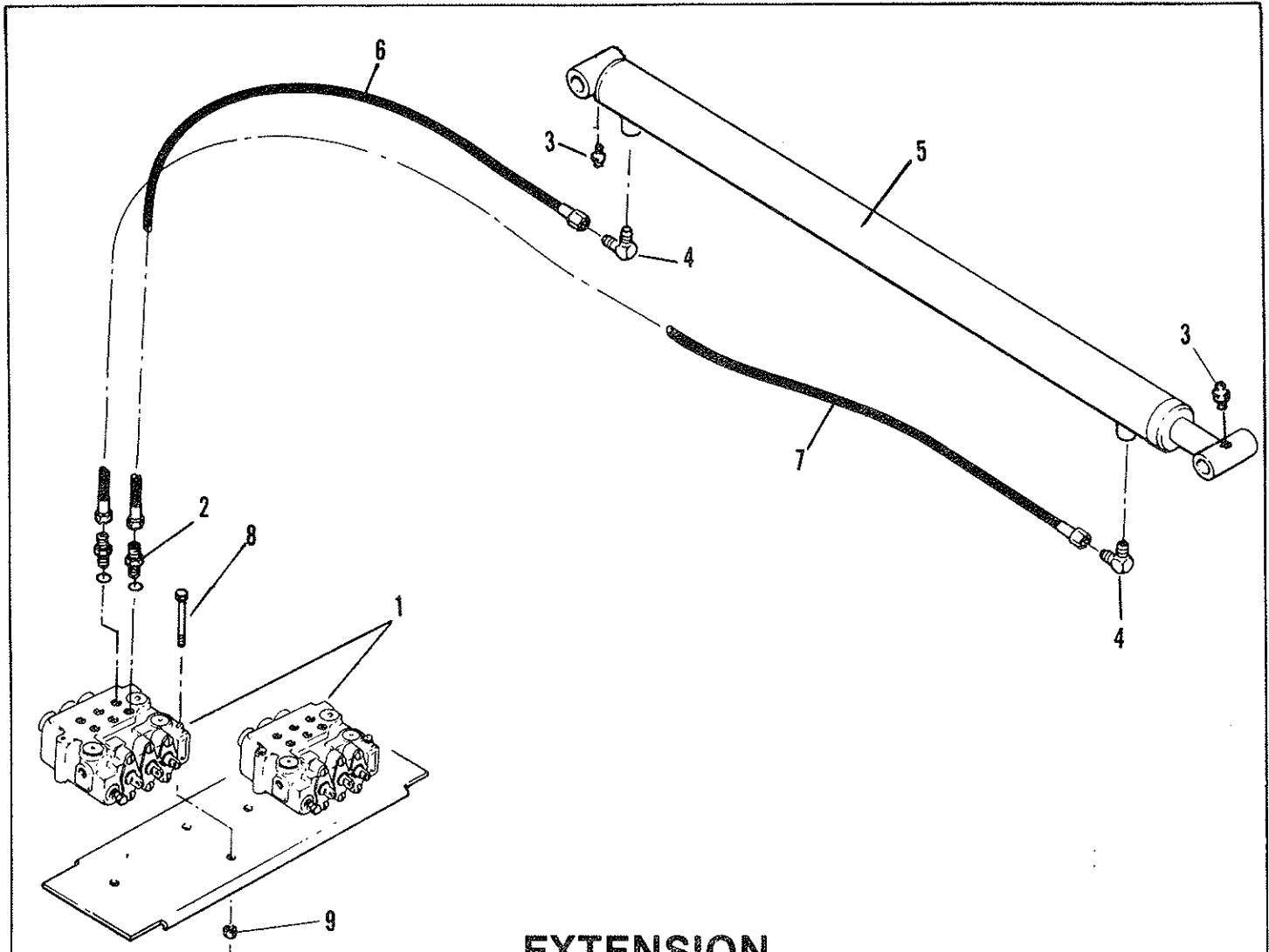
E. TIGHTEN NUT HAND TIGHT - Then with wrench tighten one turn or until the rear of the tapered ring is flush with the nut.

HOW THE SPLIT RING GRIPS — Note the taper. As nut is tightened the ring is wrapped around the tube, gripping it in like manner to a locking collet in a chuck. This principle grips and locks tighter and stronger as the pressure increases. Note that the nut has nothing to do with the seal . . . It is separate!

ELEVATION CYLINDER HYDRAULICS

ITEM	PART NO.	DESCRIPTION	NO. REQ'D.
1	0300113	Grease Fitting	4
2	0300229	Male Elbow	2
3	0300310	Holding Valve	1
4	0300632	Cyl. Hyd.-Lift - Left Side	1
5	0300636	Cyl. Hyd.-Lift - Right Side	1
6	0300710	Hose Clamp	1
7	0300750	Elev. Cyl. Hose-Upper	2
8	0300756	Female Pipe Tee	1
9	0300757	Reducer Bushing	1
10	0300759	Male 45° Elbow	2
11	0300761	Straight Adapter	2
12	0300762	Male Conn.	1
13	0300763	Male Elbow	1

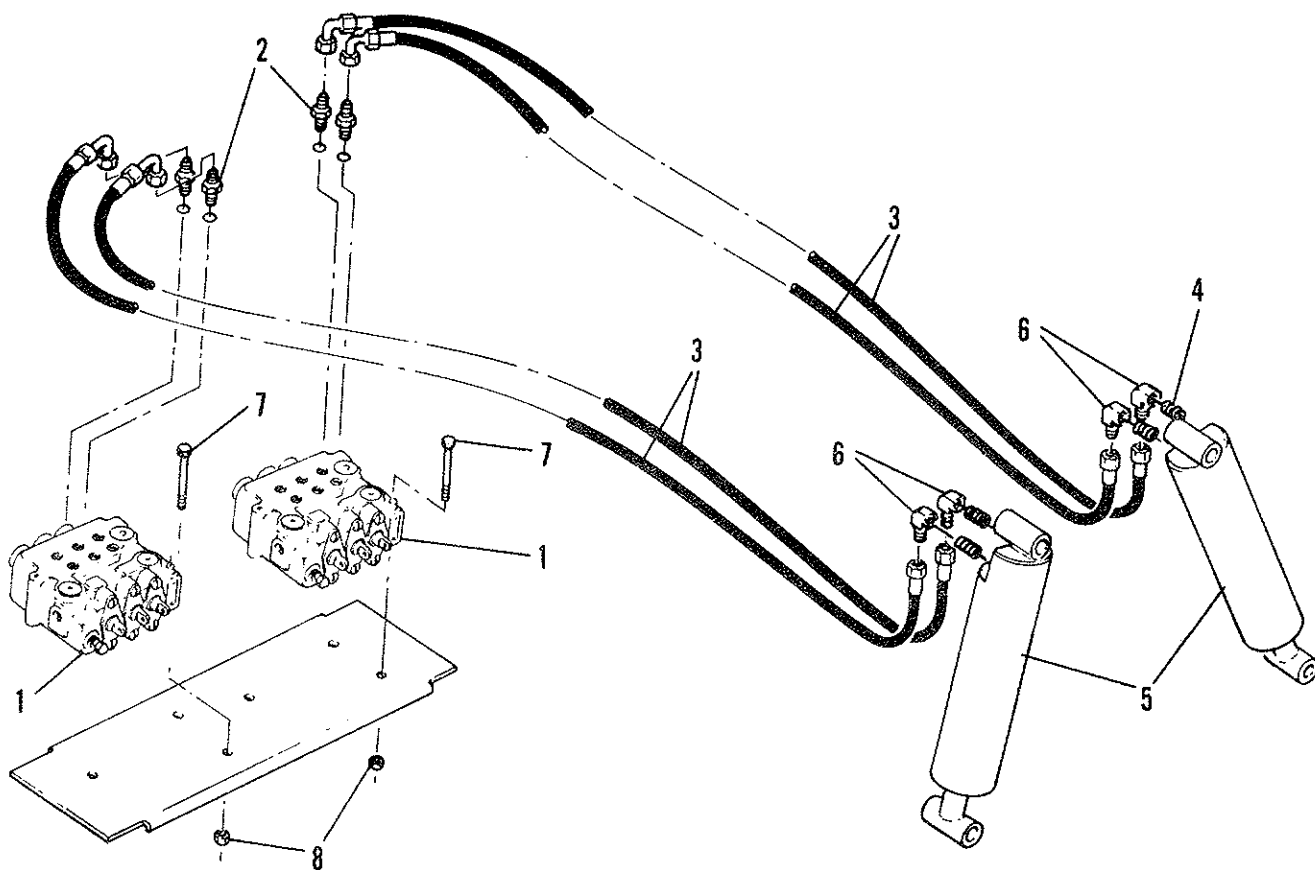
ITEM	PART NO.	DESCRIPTION	NO. REQ'D.
14	0300764	Male Elbow	2
15	0300765	Male Elbow	1
16	0300766	Male Branch Tee	1
17	0300767	Tee-Union	1
18	0300787	Elev. Cyl. Hose-Lower	2
19	0400107	5/16"-18 x 2-1/2 Hex Hd. Cap Screw	2
20	0400382	5/16" Nut	2
21	0700729	Channel-Holding Valve	1
22	0701072	Tube-Hyd. Piping	1
23	0701073	Tube-Cross Over	1
24	0701075	Tube-Cross Over	2
25	0701076	Tube-Cross Over	1
26	0701077	Tube-Cross Over	1



EXTENSION CYLINDER HYDRAULICS

ITEM	PART NO.	DESCRIPTION	NO. REQ'D.
1	0300010	Valve - 3 Spool - Park-Hann VDP-11	2
2	0300041	Straight Conn. 1/2" SAE x 1/2 JIC	2
3	0300113	Grease Fitting — Alemite 1641-B	2
4	0300229	Elbow - 90° - 1/2" NPT Male x 1/2" JIC	2
5	0300631	Cylinder — 4" Bore x 72" Stroke	1

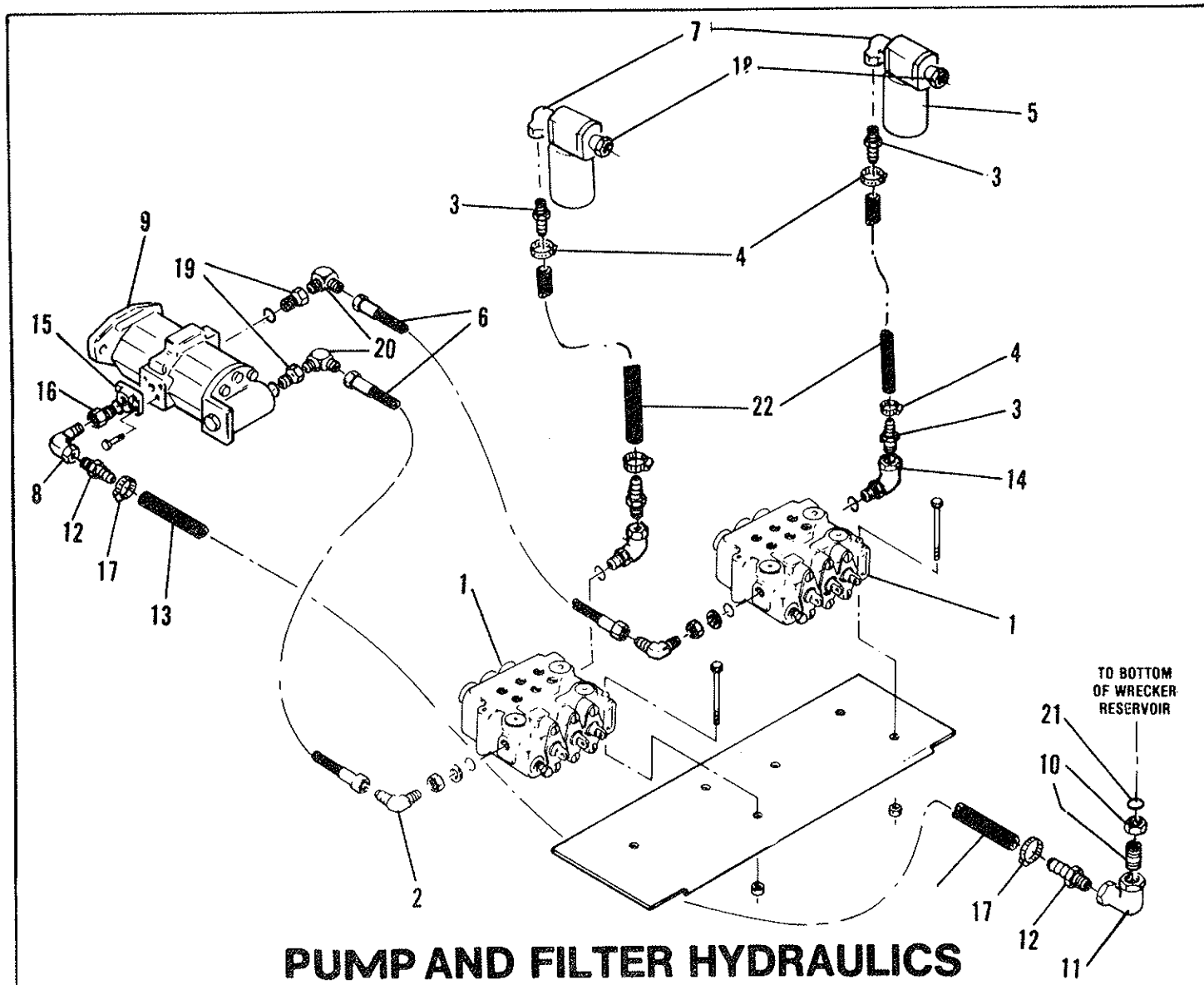
ITEM	PART NO.	DESCRIPTION	NO. REQ'D.
6	0300659	Hose - Short - 40"	1
7	0300660	Hose - Long - 120"	1
8	0400140	Bolt 3/8-16 x 4 Hex. Hd. GR5 Plated	6
9	0400392	Nut 3/8-16 Nylok - Plated	6



JACK HYDRAULICS

ITEM	PART NO.	DESCRIPTION	NO. REQ'D.
1	0300010	Valve - Control	2
2	0300041	Connector - Straight 5/8" SAE x 1/2 JIC	4
3	0300661	Hose - Jack - 136" Long	4
4	0300678	Nipple - 1/2" SCH 80 Pipe 4" Long	4

ITEM	PART NO.	DESCRIPTION	NO. REQ'D.
5	0300680	Cylinders - Jack	2
6	0300689	Elbow - 90° 1/2" NPT' FM x 1/2 JIC	4
7	0400140	Bolt - 3/8-16 x 4	6
8	0400392	Nut - 3/8-16 Nylok	6

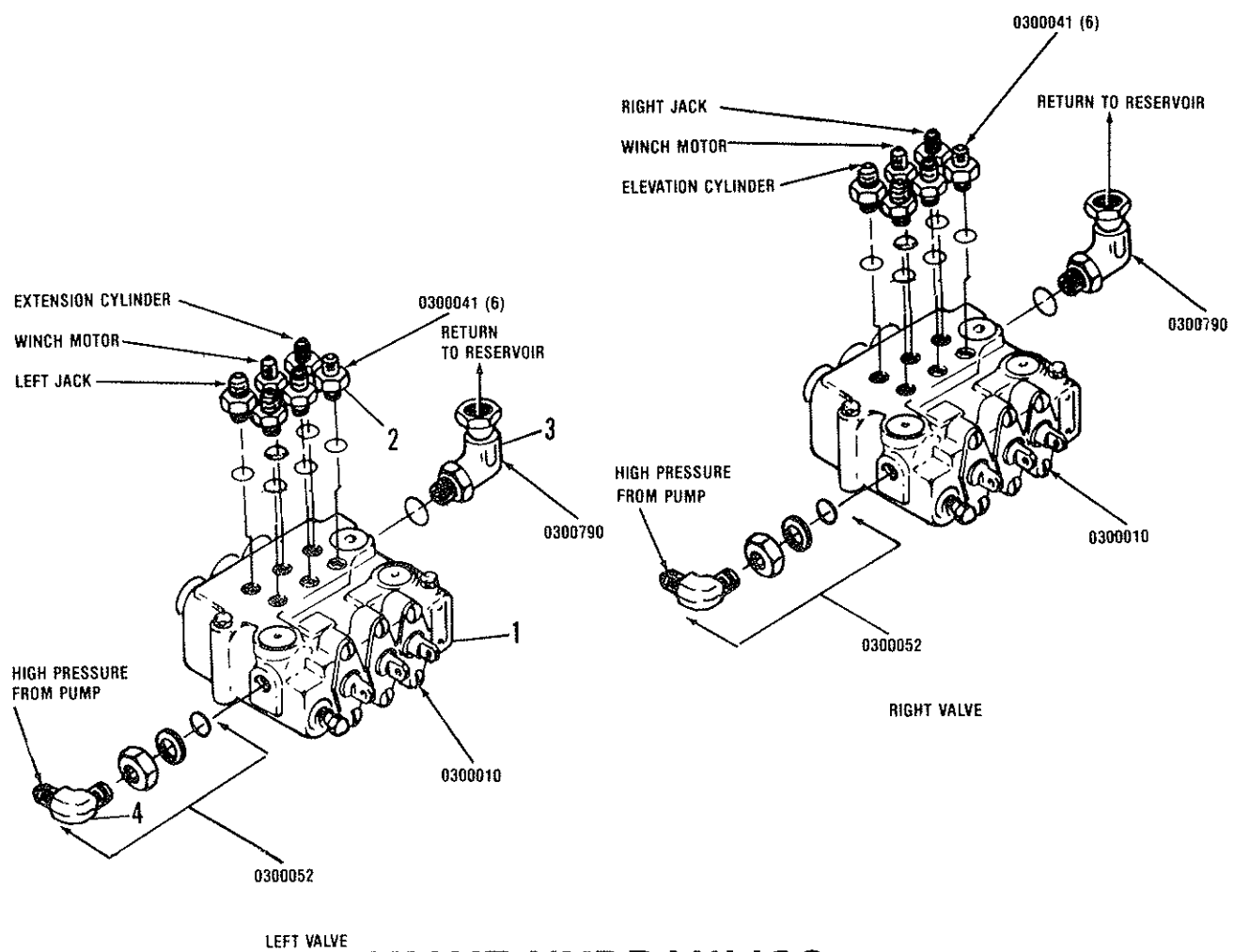


PUMP AND FILTER HYDRAULICS

ITEM	PART NO.	DESCRIPTION	NO. REQ'D.
1	0300010	Valve	2
2	0300052	Elbow - 5/8 SAE x 1/2" JIC	2
3	0300055	Hose Barb - 1" I.D. Hose	4
4	0300071	Hose Clamp - 1"	4
5	0300136	Filter	2
6	0300165	Hose - High Pressure	2
7	0300288	90° Street Ell - 3/4" NPT	2
8	0300627	90° Street Ell - 1-1/2" NPT	1
9	0300635	Pump - Dana	1
10	0300664	Tank Nipple W/Locknut 1-1/2" NPT	1
11	0300665	Elbow - 1-1/2" - 90° NPT	1

Note: Item No. 10 must protrude into oil reservoir approximately one inch.

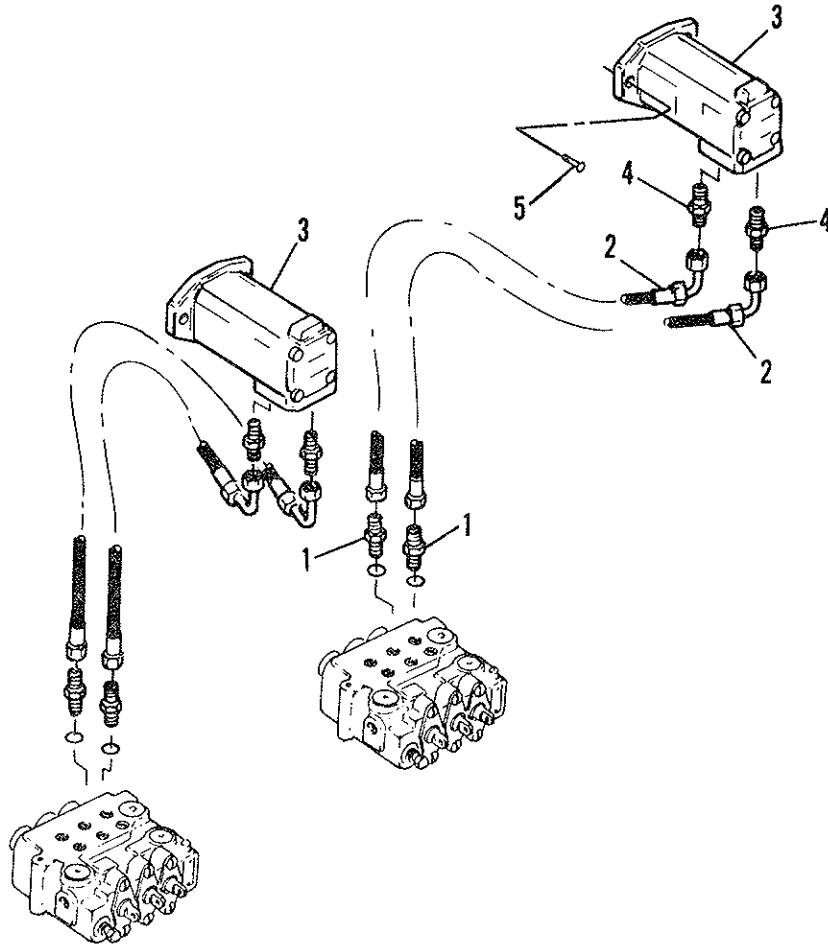
ITEM	PART NO.	DESCRIPTION	NO. REQ'D.
12	0300666	Hose Barb 1-1/2" I.D. x 1-1/2" NPTM	2
13	0300671	Suction Hose 1-1/2" I.D. x 12 FT.	1
14	0300790	Elbow - 3/4 SAE x 3/4 NPT-F	2
15	0300791	Flange - 2" Split Flange Adapter	1
16	0300792	Reducer Bush. 2" NPTM x 1-1/2" NPTF	1
17	0300793	Clamp - Hose - 1-1/2"	2
18	0300796	Bushing - 3/4 NPTM x 1/2" JIC	2
19	0300813	Str. Conn. 1" SAE x 3/4" SAE	2
20	0300814	Elbow 90° 3/4" SAE x 1/2" JIC	2
21	0300866	"O" Ring 1-7/8" I.D.	1
22	0701153	Return Hose -	2



VALVE HYDRAULICS

ITEM	PART NO.	DESCRIPTION	NO. REQ'D.
1	0300010	Valve, Three Spool	2
2	0300041	Connector, O-Ring 1/2" SAE - 1/2" JIC	12

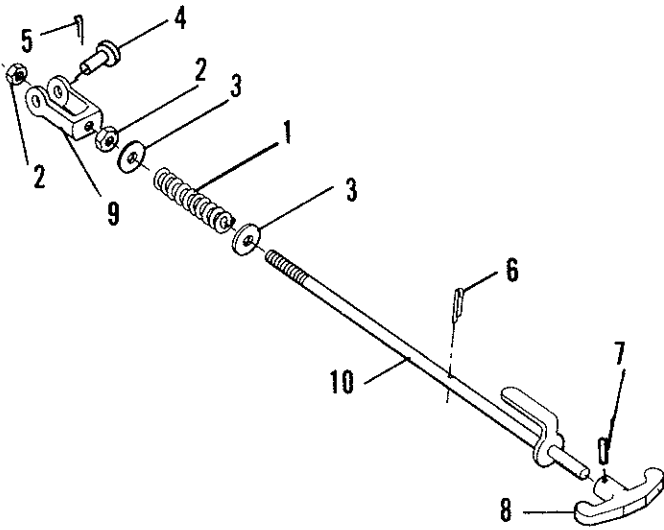
ITEM	PART NO.	DESCRIPTION	NO. REQ'D.
3	0300790	Elbow 90°	2
4	0300052	Elbow 90° 1/2" JIC - 5/8" SAE	2



HYDRAULICS - WINCH MOTORS

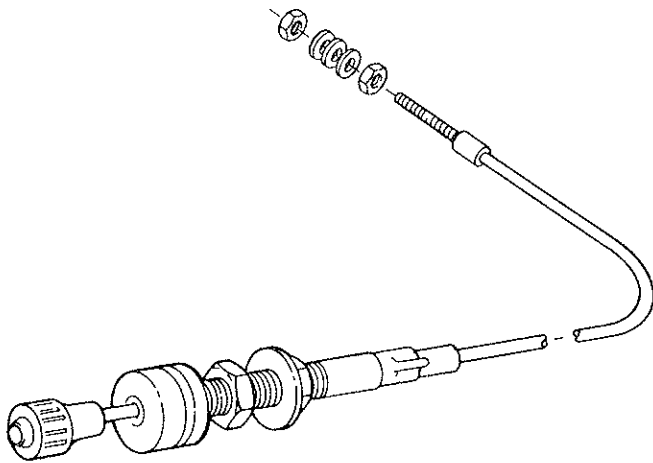
ITEM	PART NO.	DESCRIPTION	NO. REQ'D.
1	0300041	Straight Conn. 1/2 SAE "O" Ring to 1/2 JIC Male	4
2	0300657	Hose 1/2" x 46" Long	4

ITEM	PART NO.	DESCRIPTION	NO. REQ'D.
3	0300691	Motor - Winch - Char-Lynn #104-1027	2
4	0300789	Straight Conn. 5/8 SAE "O" Ring to 1/2" JIC Male	4
5	0400181	1/2 - 13 x 1-1/2" Hex Bolt	4



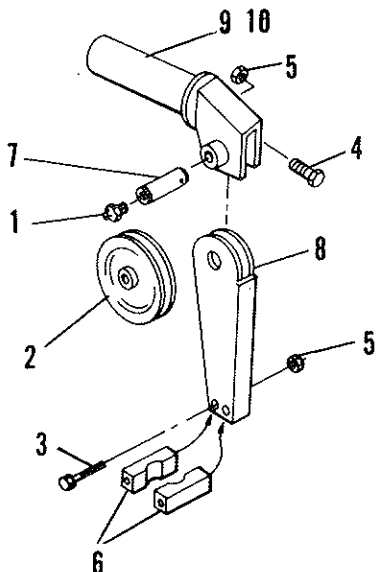
CLUTCH CONTROL ASS'Y 0900251

ITEM	PART NO.	DESCRIPTION	NO. REQ'D.
1	0300845	Spring	1
2	0400408	Nut	2
3	0400492	Flat Washer	2
4	0400534	Clevis Pin	1
5	0400541	Cotter Pin	1
6	0400544	Cotter Pin	1
7	0400561	Roll Pin	1
8	0700559	"T" Handle	1
9	0701113	Yoke	1
10	0800326	Control Rod	1



THROTTLE CONTROL CABLE

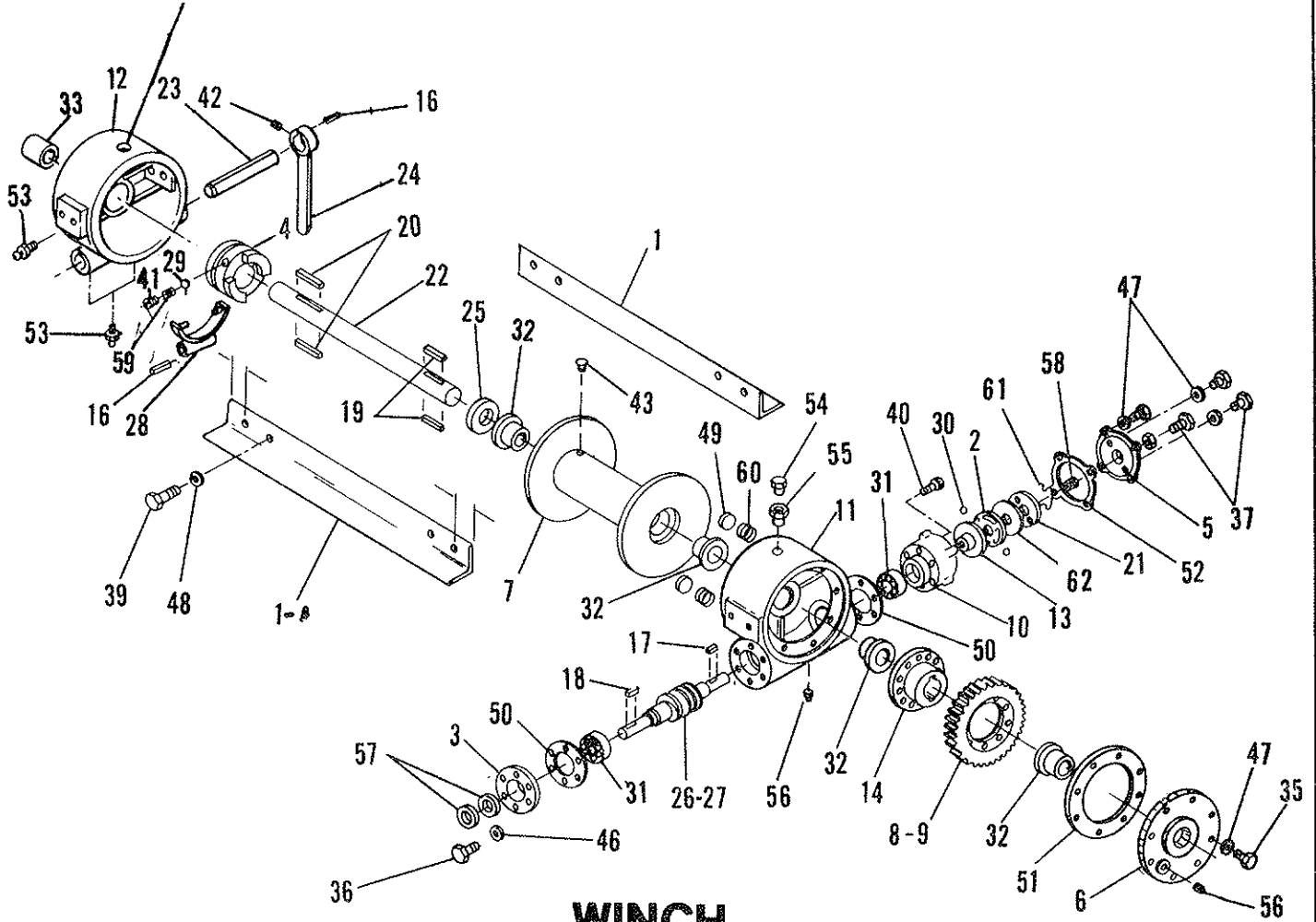
MODEL	PART NO.	LENGTH
820-S1	0300685	20'
820-S2	0300686	25'
820-T1	0300686	25'
820-T2	0300722	30'



BOOM END SWIVEL

ITEM	PART NO.	DESCRIPTION	NO. REQ'D.
1	0300113	Grease Fitting Alemite 1641-B	1
2	0300626	Sheave 8" Dia. x 1-1/2" Rim Width Br. Bushed	1
3	0400124	Bolt - 3/8-16 x 2-1/2 Hex. Hd. GR5 Plated	2
4	0400133	Bolt - 3/8-16 x 3" Hex Hd. GR5 Plated	1
5	0400392	Nut 3/8-16 Nylok	3
6	0700801	Cable Guide - Bottom	2
7	0700888	Shaft - Sheave	1
8	0800286	Cable Guide	1
9	0800300	Swivel Weldment - Right Hand	1
10	0800301	Swivel Weldment - Left Hand	1

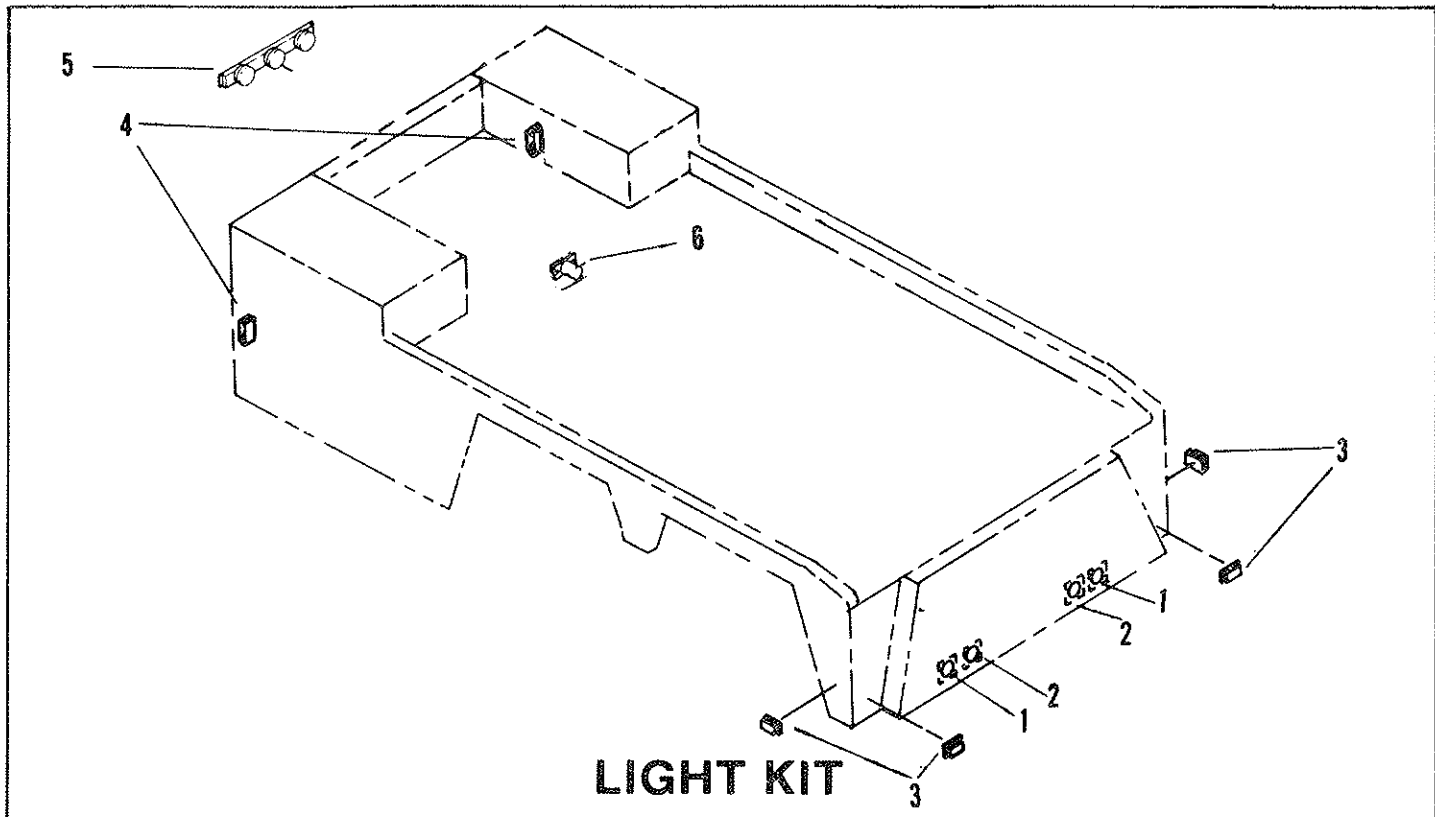
REMOVE CAP TO
LUBRICATE CLUTCH.



WINCH

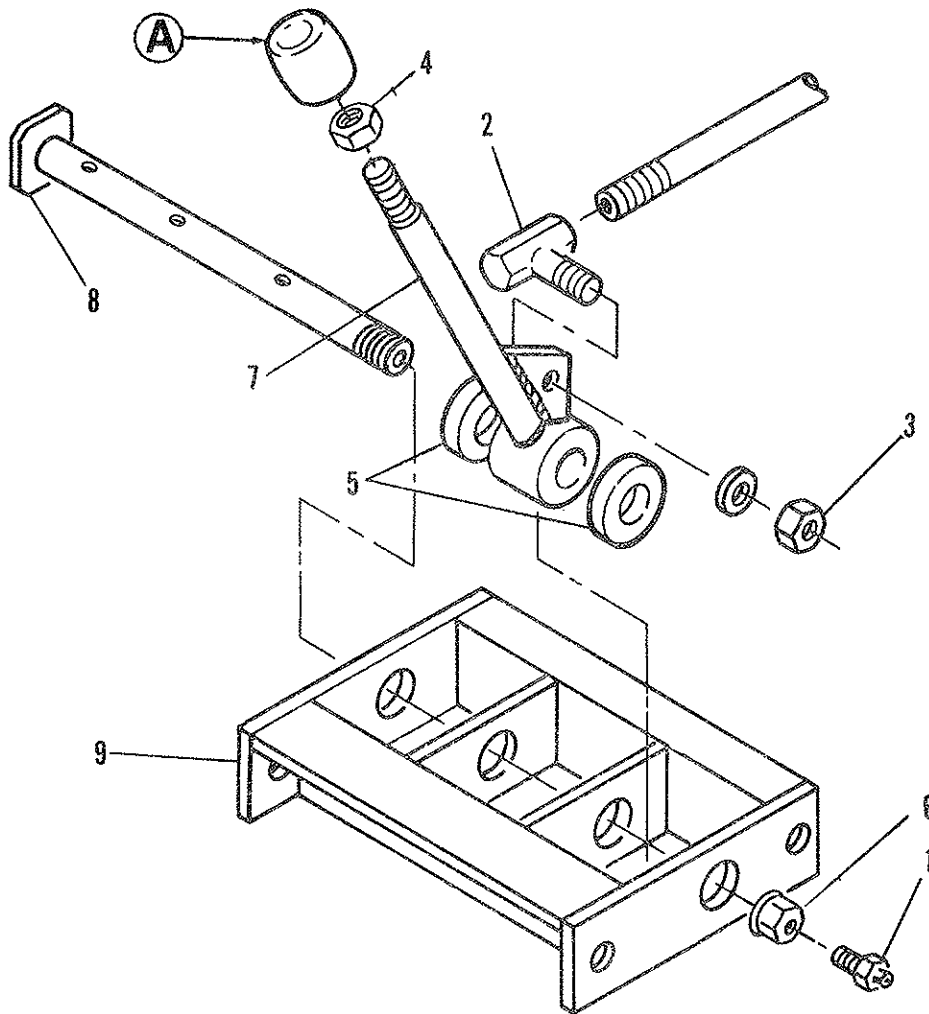
H-700 WINCH

ITEM No.	CWC P/N	MFG's. I.D. No.	Description	Quant.	ITEM No.	CWC P/N	MFG's. I.D. No.	Description	Quant.
1	0701116	—	Angle-LT,RR. & RT. FR.	1	34	0301033	414071	Cap Screw	4
1A	0701117	—	Angle-RT. RR. & LT. FR.	1	35	0301034	414234	Cap Screw	8
2	0301001	314007	Cam Plate	2	36	0301035	414282	Cap Screw	6
3	0301002	316006	End Plate	1	37	0301036	414391	Cap Screw	14
4	0301003	324105	Jaw Clutch	1	38	0301037	414574	Cap Screw	1
5	0301004	328027	Cover	1	39	0301038	414638	Cap Screw	8
6	0301005	328034	Cover	1	40	0301039	414901	Cap Screw	6
7	0301006	332104	Drum	1	41	0301040	414971	Poppet Screw	1
8	0301007	334068	Gear - Right Hand	1	42	0301041	416041	Set Screw	2
9	0301008	334069	Gear - Left Hand	1	43	0301042	416057	Set Screw	1
10	0301009	338039	Brake Housing	1	44	0301043	418067	Nut	1
11	0301010	338068	Gear - Housing	1	45	0301044	418162	Lockwasher	4
12	0301011	338073	Clutch-Housing	1	46	0301045	418176	Lockwasher	6
13	0301012	340011	Brake-Hub	1	47	0301046	418184	Washer	10
14	0301013	340016	Gear-Hub	1	48	0301047	418236	Washer	8
15	0301014	342028	Key	1	49	0301048	438001	Drag Brake	2
16	0301015	342041	Key	1	50	0301049	442093	Gasket	2
17	0301016	342053	Key	1	51	0301050	442094	Gasket	1
18	0301017	342092	Key	1	52	0301051	442095	Gasket	1
19	0301018	342142	Key	2	53	0301052	456006	Lub. Fitting	3
20	0301019	342143	Key	2	54	0301053	456008	Relief Fitting	1
21	0301020	352024	Retainer Plate	1	55	0301054	468002	Reducer	1
22	0301021	357411	Drum Shaft	1	56	0301055	468011	Pipe Plug	2
23	0301022	356944	Shift Shaft	1	57	0301056	486016	Oil Seal	2
24	0301023	358017	Shift Lever	1	58	0301057	494010	Spring	1
25	0301024	362034	Spacer	1	59	0301058	494011	Spring	1
26	0301025	368085	Worm - Right Hand	1	60	0301059	494021	Spring	2
27	0301026	368086	Worm - Left Hand	1	61	0301060	494025	Flat Spring	1
28	0301027	370021	Yoke	1	62	0301061	530007	Brake Disc	1
29	1028	400003	Ball	1	Following Items Not Shown in Parts Breakdown				
30	0301029	40007	Ball	2					
31	0301030	402045	Bearing	2					
32	0301031	412015	Bushing	4					
33	0301032	412032	Bushing	1	0300905			Chain Coupling	1
					0300906			Key	1
					0300907			Rubber Plug	1



LIGHT KIT

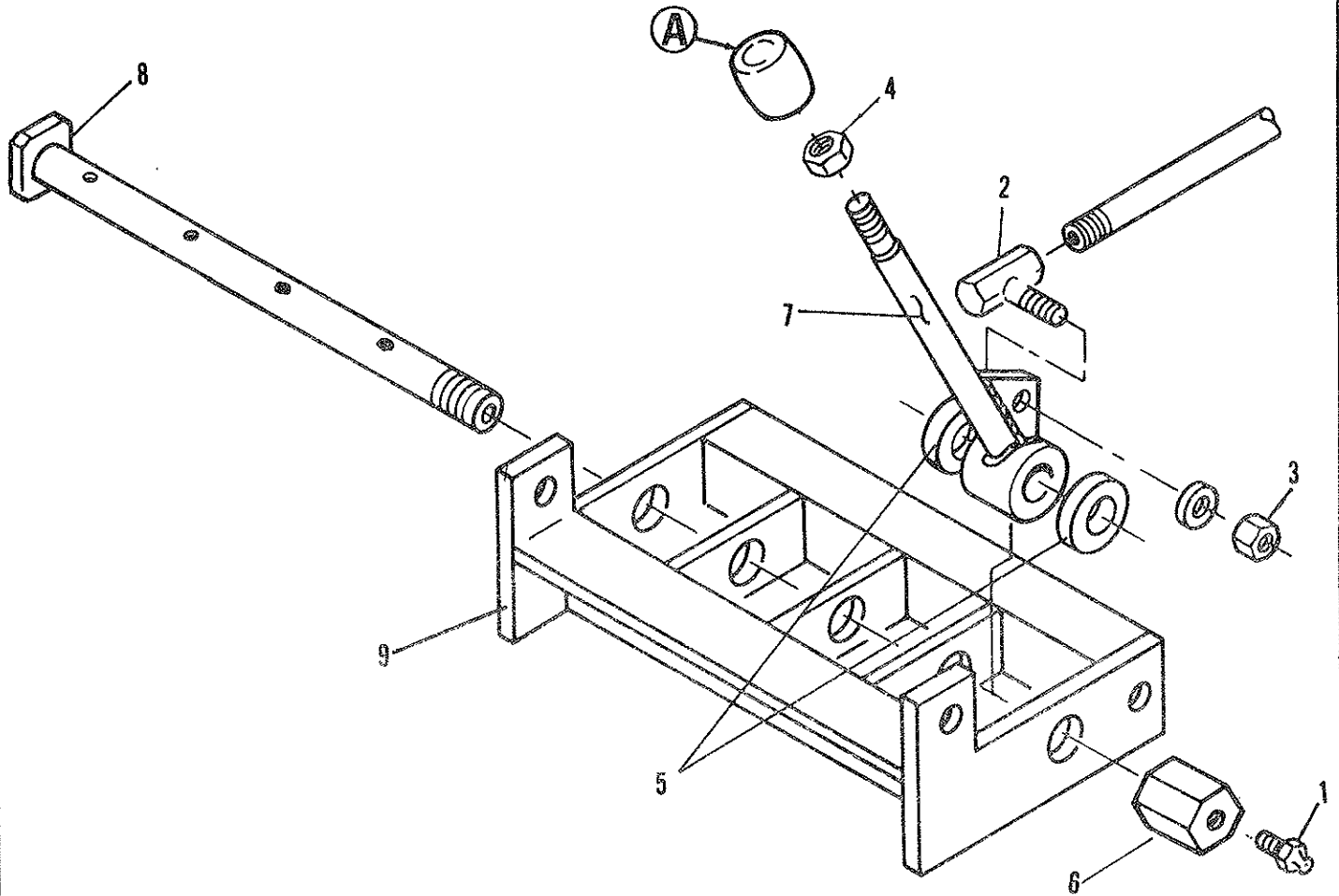
<p>①</p> <p>STOP & TURN LIGHT</p> <p>1. Light, Stop & Turn - Complete 2. Housing, Stop & Turn Light 3. Bulb, Stop & Turn Light 4. Lens, Stop & Turn Light - Red 5. Screw, Lens</p> <p>0300501 0300497 0300498 0300499 0300500</p>	<p>②</p> <p>BACK-UP LIGHT</p> <p>1. Light, Back-Up - Complete 2. Housing, Back-Up Light 3. Bulb, Back-Up Light 4. Lens, Back-Up Light - Clear 5. Screw, Lens</p> <p>0300505 0300502 0300503 0300504 0300500</p>
<p>③</p> <p>MARKER LIGHT, RED</p> <p>1. Light, Marker Red - Complete 2. Housing, Marker Light - Red 3. Bulb, Marker Light 4. Lens, Marker Light - Red</p> <p>0300427 0300506 0300507 0400508</p>	<p>④</p> <p>MARKER LIGHT, AMBER</p> <p>1. Light, Marker - Amber - Complete 2. Housing, Marker Light - Amber 3. Bulb, Marker Light 4. Lens, Marker Light - Amber</p> <p>0300428 0300509 0300507 0300510</p>
<p>⑤</p> <p>3 LIGHT BAR</p> <p>1. 3 Light Bar Ass'y. - Complete 2. Bulb, Marker Light 3. Lens, 3 Light Bar</p> <p>0300442 0300507 0300511</p>	<p>⑥</p> <p>LICENSE PLATE ILLUMINATOR</p> <p>1. License Plate Illuminator - Complete 2. Bulb, License Plate - Illuminator</p> <p>0300273 0300512</p>



CONTROL HANDLE ASS'Y - FRONT

ITEM	PART NO.	DESCRIPTION	NO. REQ'D.
1	0300113	Grease Fitting	1
2	0300736	Ball Joint	2
3	0400384	5/16-24 Nut - Nylok	2
4	0400393	3/8-16 Nut - Jam	2
5	0700954	Spacer - Handle	4

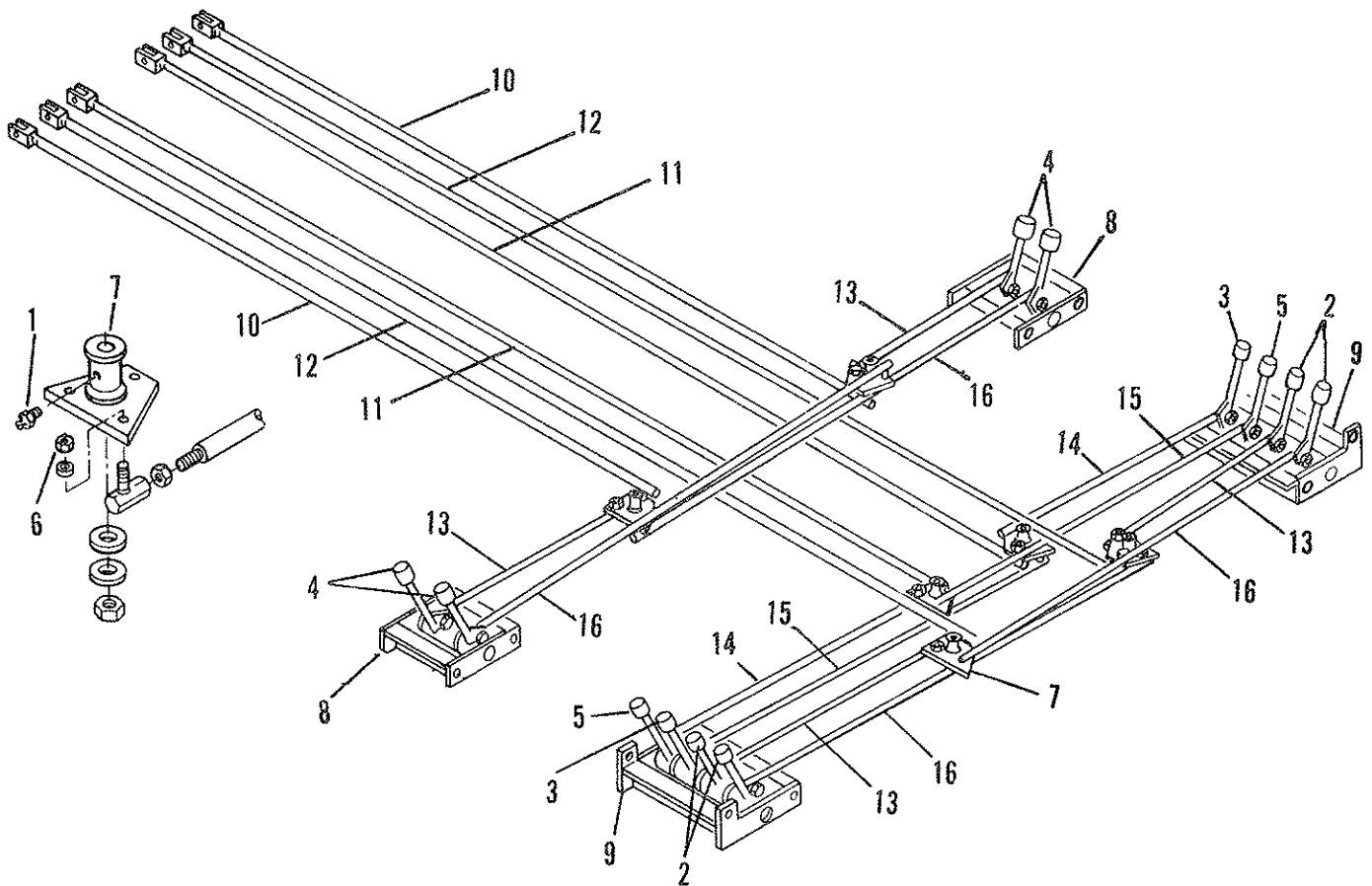
ITEM	PART NO.	DESCRIPTION	NO. REQ'D.
6	0701169	Pipe Cap	1
7	0800214	Control Handle	2
8	0800307	Control Handle - Shaft	1
9	0800309	Mounting Bracket - Front	1
	A	See Control Rod Ass'y. See page 30	



CONTROL HANDLE ASS'Y— REAR

ITEM	PART NO.	DESCRIPTION	NO. REQ'D.	ITEM	PART NO.	DESCRIPTION	NO. REQ'D.
1	0300113	Grease Fitting	1	6	0701169	Pipe Cap	1
2	0300736	Ball Joint	4	7	0800214	Control Handle	4
3	0400384	5/16-24 Nut - Nylok	4	8	0800306	Control Handle - Shaft	1
4	0400393	3/8-16 Nut - Jam	4	9	0800308	Bracket Mounting - Rear	1
5	0700954	Spacer - Handle	8				

A See Control Rod Ass'y. See page 30



CONTROL ROD ASS'Y 820 WRECKER

ITEM	PART NO.	DESCRIPTION	NO. REQ'D.
1	0300113	Grease Fitting	6
2	0300834	Knob - Cable - In-Out (Red)	4
3	0300835	Knob - Boom - Up-Down (Bl.)	2
4	0300836	Knob - Jacks - Up-Down (Bl.)	4
5	0300837	Knob - Boom - In-Out (Bl.)	2
6	0400382	Nut - 5/16-24 Nylok	18
7	0800156	Bell Crank	6
8	0900148	Control Handle - Ass'y. — Front	2

ITEM	PART NO.	DESCRIPTION	NO. REQ'D.
9	0900149	Control Handle Ass'y. — Rear	2
10	0900150	Longitudenal Cont. Rod - 49-1/8"	2
11	0900151	Longitudenal Cont. Rod - 94"	2
12	0900152	Longitudenal Cont. Rod - 99"	2
13	0900156	Cross Control Rod - 30-3/16"	4
14	0900157	Cross Control Rod - 33-1/4"	2
15	0900160	Cross Control Rod - 50-7/16"	2
16	0900161	Cross Control Rod - 53-3/8"	4

NOTES

Section VII - SCHEMATICS

801 HYDRAULIC SCHEMATIC

Lined area for notes, containing faint bleed-through diagrams of hydraulic systems.

**CENTURY
WRECKER
CORPORATION**

I-75 at Ooltewah Exit #11 • 8503 Hilltop Drive • Ooltewah, Tennessee 37363 • (615) 238-4171
Mailing Address: P.O. Box 120 • Ooltewah, Tennessee 37363 • Telex: 856967 CENWKRTN UD