

# CENTURY®

LEGENDARY LEADERSHIP



## OWNER'S MANUAL

# FORMULA 6500 600 SERIES WRECKERS

## INSTALLATION, OPERATION, MAINTENANCE & PARTS

**NOTE:** MANUAL including SPECIFICATIONS, subject to change without notice  
All ratings specified are based on structural factors only,  
not vehicle capacities or capabilities.

### CENTURY®

Miller Industries Towing Equipment Inc.  
8503 Hilltop Drive

Ooltewah, Tennessee 37363  
Phone (423) 238-4171 • FAX (423) 238-5371

FORM NO. 0500755

REV. A

01 / 2001

PRICE \$25.00

## LIMITED WARRANTY

MILLER INDUSTRIES TOWING EQUIPMENT INC., hereinafter referred to as MILLER, warrants to the original purchaser that each new MILLER wrecker or other MILLER products will be free from defects in material and workmanship for a period of twelve (12) months from date placed in service, but in no event shall such warranty period exceed twenty-four (24) months from date of manufacture by MILLER. The purchaser must promptly notify MILLER in writing of any failure in material or workmanship. In no event shall MILLER accept such notification later than twenty-four (24) months from date of delivery or twelve (12) months from date placed in service, whichever is earlier.

MILLER's obligation under this warranty, statutory or otherwise, is limited to the repair or replacement at the MILLER factory, or at a point designated by MILLER, of such part or parts as shall appear upon inspection by MILLER to be defective in material or workmanship. New or remanufactured parts will be used for any replacement at MILLER's option. This warranty is not transferable. This warranty does not obligate MILLER to bear the cost of labor or transportation charges in connection with the repair or replacement of any parts found to be defective, nor shall it apply to a product upon which repairs or alterations have been made unless authorized by MILLER.

EXCEPT AS EXPRESSLY SET FORTH IN THIS WARRANTY, MILLER MAKES NO OTHER WARRANTY, EXPRESS OR IMPLIED, AND HEREBY DISCLAIMS ALL OTHER WARRANTIES INCLUDING, BUT NOT LIMITED TO, THE IMPLIED WARRANTIES OF MERCHANTABILITY AND FITNESS FOR A PARTICULAR PURPOSE. MILLER shall in no event be liable for claimed downtime, claimed loss of profits or goodwill, or any other special, incidental, indirect, or consequential damages concerning or relating to any product or parts, whether based on negligence, strict liability, breach of contract, breach of warranty, misrepresentation or any other legal theory, regardless of whether the loss resulted from any general or particular requirement which MILLER knew or had reason to know about at the time of sale.

MILLER MAKES NO WARRANTY, EXPRESS OR IMPLIED, AS TO THE FINISHED PRODUCTS MANUFACTURED OR SUPPLIED BY ANOTHER MANUFACTURER AND SUPPLIED BY MILLER TO PURCHASER, including, but not limited to, any vehicle to which a MILLER product may be affixed or any accessories or wire rope, and MILLER EXPRESSLY DISCLAIMS ANY IMPLIED WARRANTIES OF MERCHANTABILITY OR FITNESS FOR A PARTICULAR PURPOSE AS TO SUCH EQUIPMENT OR PRODUCTS. This language shall in no way affect or diminish the rights of the purchaser to rely on such warranties as are extended by such manufacturers or suppliers. MILLER shall, to the extent permitted under applicable law, pass on to the purchaser such manufacturer's or seller's warranty.

MILLER, whose policy is one of continuous improvement, reserves the right to improve its products through changes in design or materials as it may deem desirable without being obligated to incorporate such changes in products previously sold. This warranty is not intended to cover or include the following items, which are set forth by way of example and not limitation:

- A. Normal deterioration of trim, paint, lettering, and appearance items due to wear or exposure to weather, road conditions, road treatments, etc.
- B. Any damage or defect due to accident, misuse, abuse, improper or unauthorized repairs, failure to provide reasonable and necessary maintenance, or uses for which the equipment was not designed or intended.
- C. Alterations or modifications that affect performance, operation or reliability.
- D. Normal maintenance parts including, but not limited to, wear pads, bushings, wire rope, mud flaps, fenderettes, light bulbs, hydraulic oil, filters, and tow sling belts.

**IT IS EXPRESSLY UNDERSTOOD THAT MILLER MAKES NO IMPLIED WARRANTY THAT MILLER PRODUCTS SHALL BE FIT FOR THE PURPOSE OF LIFTING OR MOVING PEOPLE OR FOR ANY OTHER IMPROPER USE.**



Miller Industries Towing Equipment Inc.  
8503 Hilltop Drive  
Ooltewah, Tennessee 37363

**SERIAL NUMBER**

Telephone (423) 238-4171

## Section VI - PARTS

This Section is provided by the manufacturer for the purpose of ordering any component part of the **CENTURY Formula 6500 Wheel Lift** and **600 Series Wrecker** that may be required when part replacement is necessary. Be certain to use only original equipment replacement parts for warranty purposes as well as for keeping your **CENTURY Formula 6500 Wheel Lift** and **600 Series Wrecker** in its original state and optimum operating capacities.

When ordering replacement or spare parts be sure to provide the following information to the manufacturer's **Parts Department**.

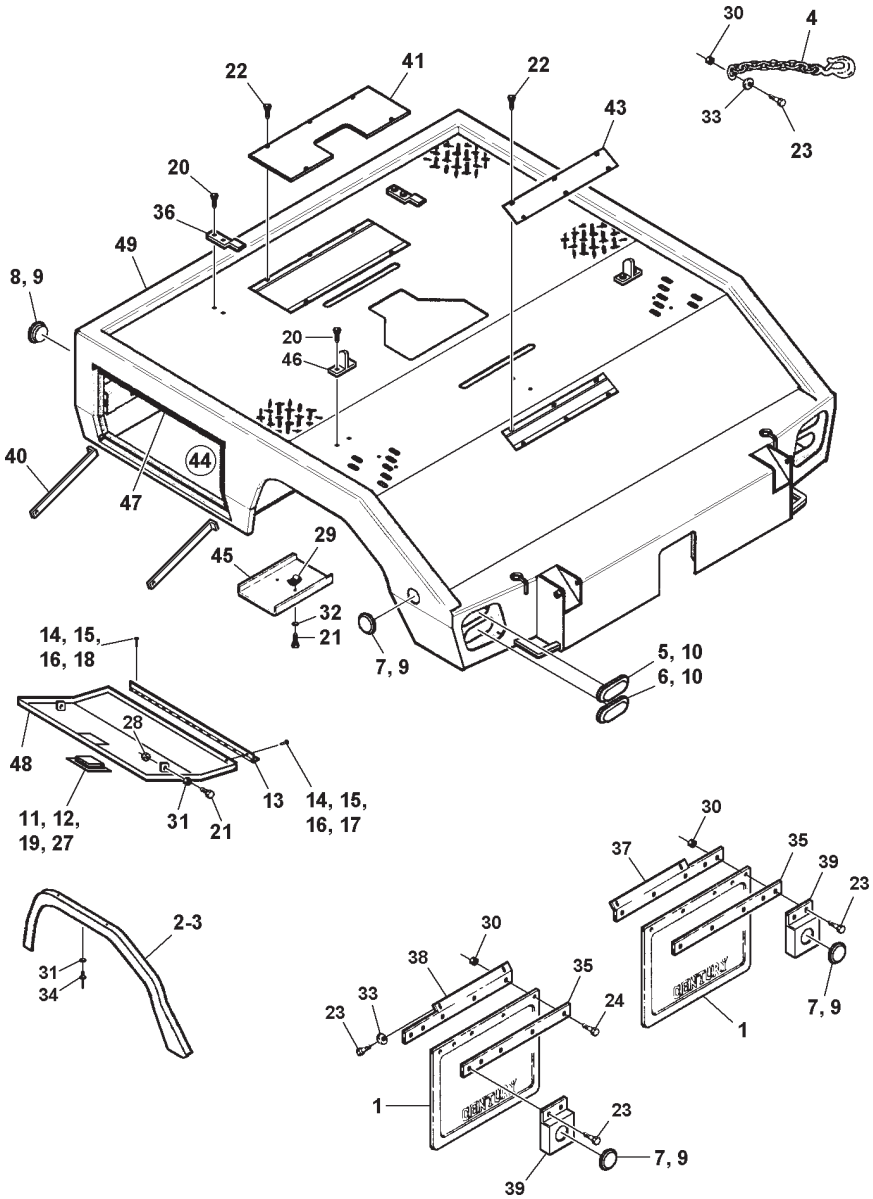
1. **Manual Number & Date of Publication**
2. **Manual Page Number**
3. **Page Title**
4. **Reference Number of Part Desired**
5. **Part Number**
6. **Part Description**
7. **Quantity of Part Desired**

Providing this information will help ensure that the correct parts will be delivered to you in an expedient manner without delay. Should additional information be required for repair or replacement of certain components, contact your Wrecker Manufacturer Authorized Representative.

The Manufacturer reserves the right, without notice or obligation, to improve or modify their products, which may change the specifications, models and feature availability.

# Section VI - PARTS (cont'd)

## FORMULA BODY ASSEMBLY



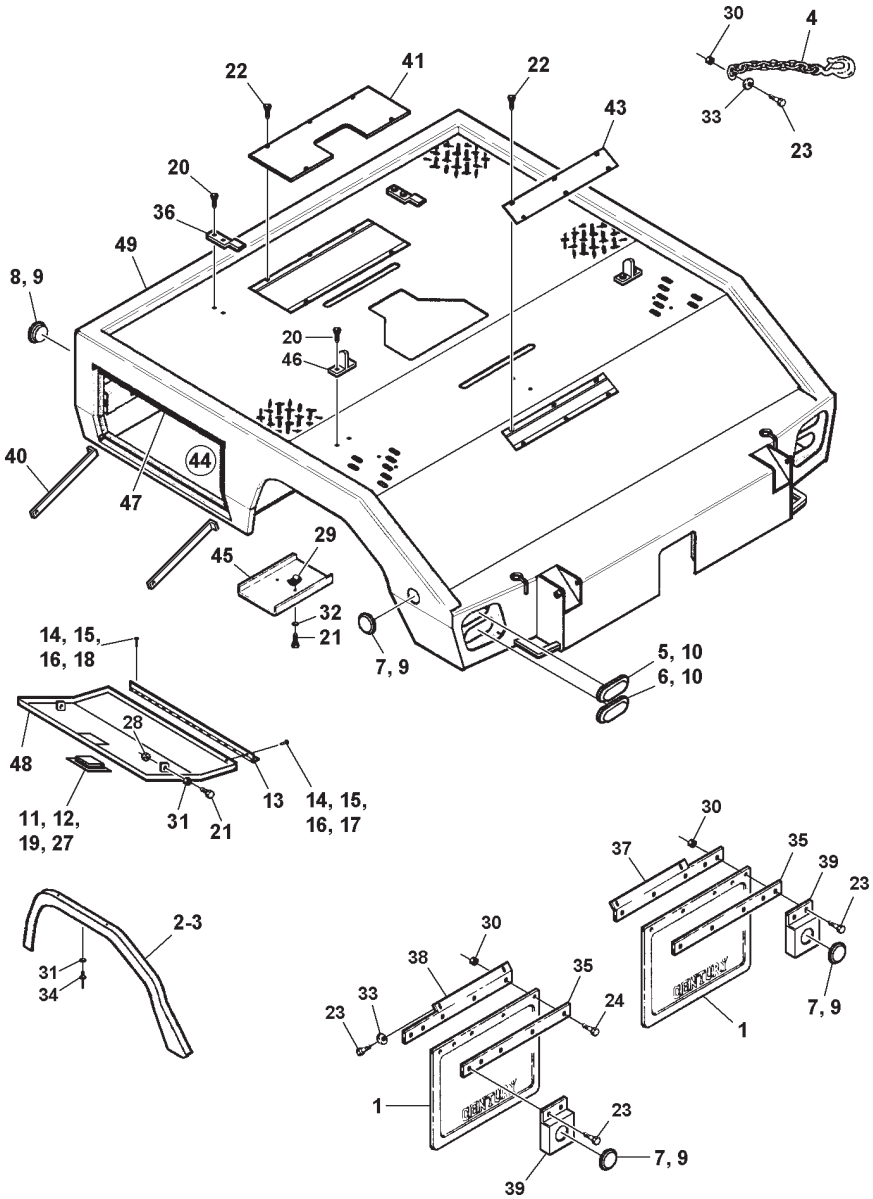
## Section VI - PARTS (cont'd)

### FORMULA BODY ASSEMBLY

REF. NO.	NO. REQ'D	PART NUMBER	DESCRIPTION
1	2	0302173	MUD FLAP
2	1	0302181	LT FIBERGLASS FENDER (OPT.)
3	1	0302182	RT FIBERGLASS FENDER (OPT.)
4	2	0303116	SAFETY CHAIN, 3/8" HT
5	2	0303123	LIGHT, RED STOP & TURN
6	2	0303124	LIGHT, CLEAR BACKUP
7	4	0303125	MARKER, SEALED RED
8	2	0303126	MARKER, SEALED AMBER
9	6	0303127	GROMMET, MARKER LIGHT
10	4	0303128	GROMMET, TAIL LIGHT
11	1	0303597	ROTARY PADDLE LATCH
12	1	0303598	GASKET, ROTARY PADDLE LATCH
13	1	0303690	PIANO HINGE
14	32	0400011	WASHER, #8 FLAT SS
15	16	0400012	LOCKWASHER, #8 HELICAL SS
16	16	0400013	NUT, #8-32 SS
17	8	0400015	SCREW, #8 HELICAL SS
18	8	0400016	SCREW, #8-32 X 1" FL HD PH SS
19	4	0400021	SCREW, #8-32 X 1/2" RD HD
20	12	0400062	SCREW, 1/4"-20 X 3/4" THRD CUT
21	6	0400066	SCREW, 1/4"-20 X 3/4" HEX HD CAP
22	13	0400070	SCREW, 1/4"-20 X 1" HEX HD CAP
23	8	0400122	SCREW, 3/8"-16 X 1-1/4" HEX HD CAP
24	4	0400126	SCREW, 3/8"-16 X 1" HEX HD CAP
25	2	0400132	SCREW, 3/8"-16 X 1-1/2" HEX HD CAP
26	4	0400260	SCREW, 5/8"-11 X 2" HEX HD CAP
27	4	0400351	NUT, #8-32 KEPS

# Section VI - PARTS (cont'd)

## FORMULA BODY ASSEMBLY (cont'd)



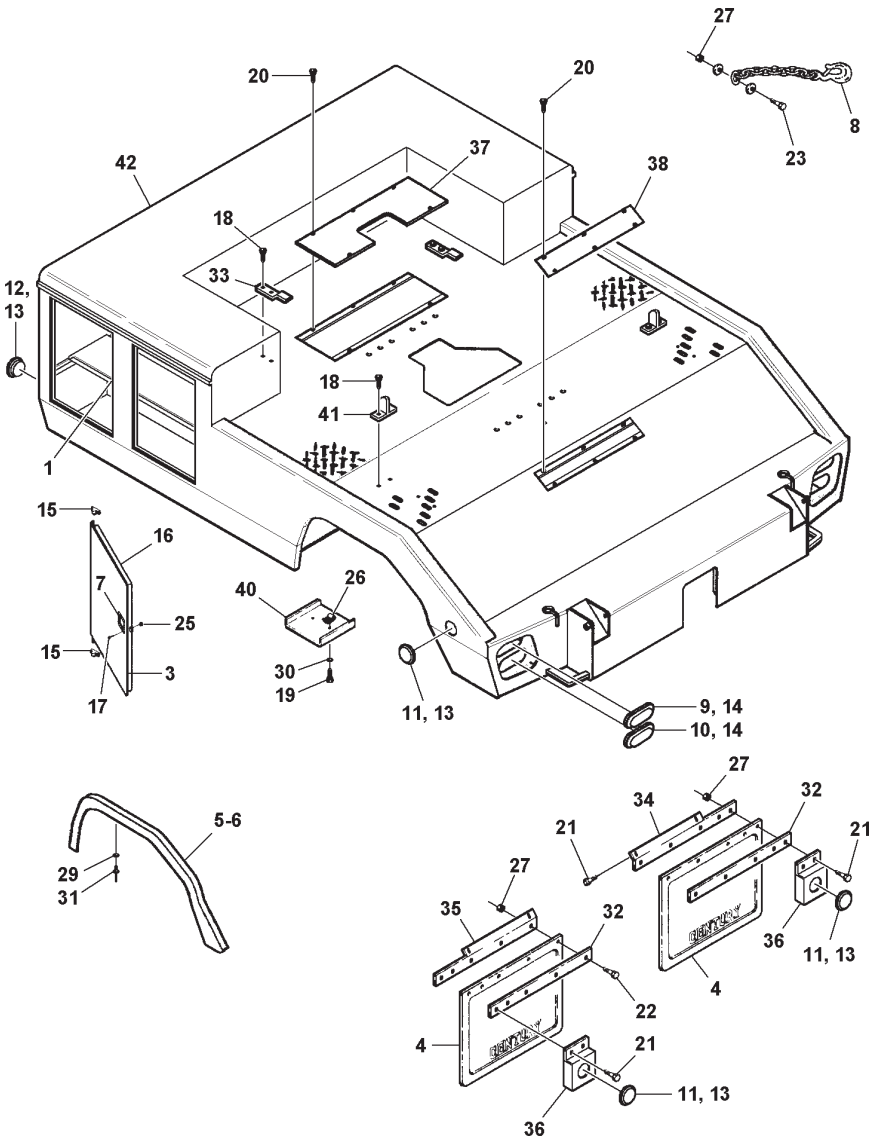
## Section VI - PARTS (cont'd)

### FORMULA BODY ASSEMBLY (cont'd)

REF. NO.	NO. REQ'D	PART NUMBER	DESCRIPTION
28	2	0400367	NUT, 1/4"-20 HEX NYLOK
29	4	0400370	CLIP, 1/4" TINNEMAN "U" TYPE
30	14	0400392	NUT, 3/8"-16 HEX NYLOK
31	30	0400451	WASHER, 1/4" FLAT
32	4	0400452	LOCKWASHER, 1/4" HELICAL
33	8	0400480	WASHER, 3/8" FLAT
34	26	0400567	RIVET, 1/4" POP
35	2	0705092	MUD FLAP BAR
36	2	0707510	BRACKET, "L" ARM STORAGE
37	1	0708809	RT MUD FLAP MTG ANGLE
38	1	0708810	LT MUD FLAP MTG ANGLE
39	2	0710198	BRACKET, MARKER LIGHT
40	2	0713003	RETAINER BAR
41	1	0713054	ACCESS COVER
42	1	0713063	COVER, ELECTRICAL PANEL (NOT SHOWN)
43	1	0713122	ACCESS COVER, REAR
44	1	0713124	TOOL BOX SHELF (NOT SHOWN)
45	2	0713997	MUDGUARD, CONTROL STATION
46	2	0802712	BRACKET, "L" ARM STORAGE
47	1	0803603	DOOR STRIKER WELDMENT (NOT SHOWN)
48	1	0803687	TOOL BOX DOOR WELDMENT
49	1	0803686	BODY WELDMENT - 60" CA 86" W LT BOX
-	-	0803734	BODY WELDMENT - 60" CA 90" W LT BOX
-	-	0803737	BODY WELDMENT - 60" CA 90" W LT & RT BOX
-	-	0803800	BODY WELDMENT - 56" CA 86" W
-	-	0803886	BODY WELDMENT - 60" CA 86" W LT & RT BOX

# Section VI - PARTS (cont'd)

## DAYTONA BODY ASSEMBLY





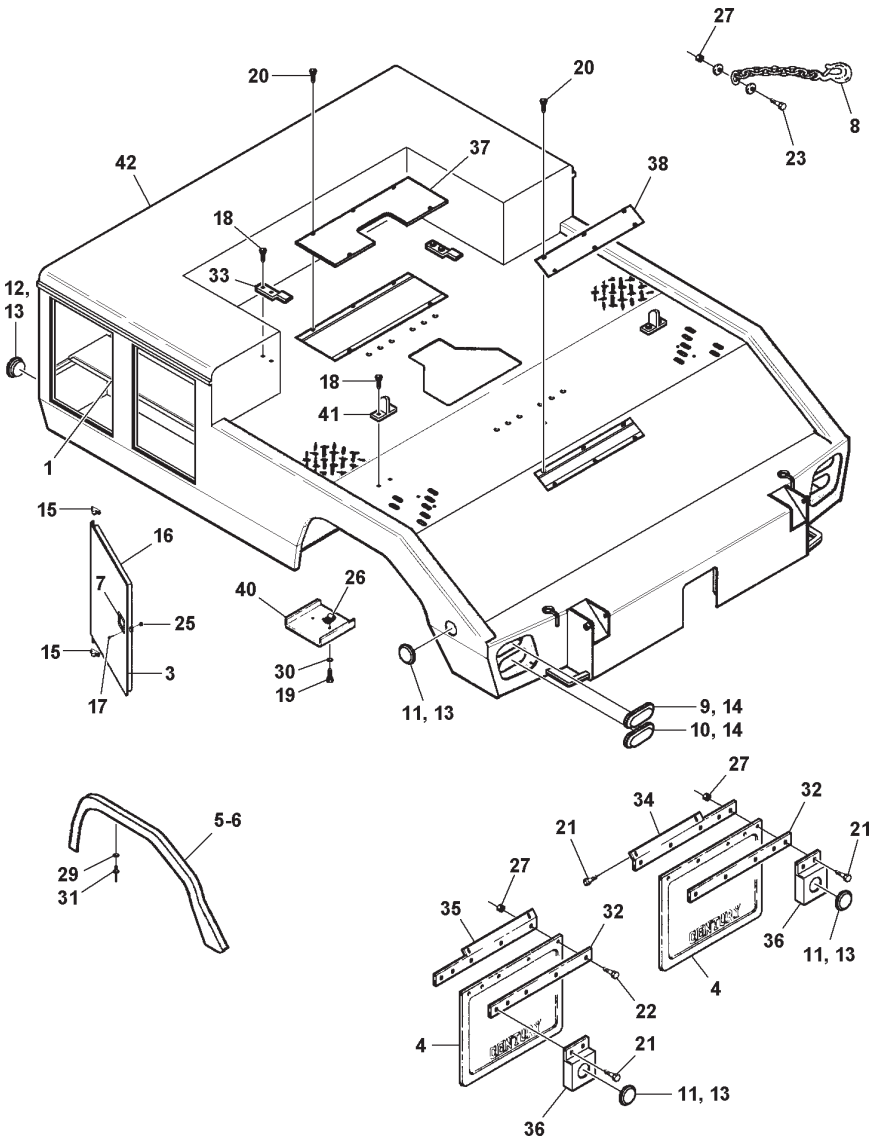
## Section VI - PARTS (cont'd)

### DAYTONA BODY ASSEMBLY

REF. NO.	NO. REQ'D	PART NUMBER	DESCRIPTION
1	4	0300028	STRIKER, TOOL COMPARTMENT
2	4	0300032	PLUG, 1" HOLE (NOT SHOWN)
3	25 FT.	0300844	SPONGE, 3/4" X 1/8" W/ ADHBK
4	2	0302173	MUD FLAP
5	1	0302181	LT FIBERGLASS FENDER (OPT.)
6	1	0302182	RT FIBERGLASS FENDER (OPT.)
7	4	0302855	LATCH, TOOL COMPARTMENT DOOR
8	2	0303116	SAFETY CHAIN, 3/8" HT
9	2	0303123	LIGHT, RED STOP & TURN
10	2	0303124	LIGHT, CLEAR BACKUP
11	4	0303125	MARKER, SEALED RED
12	2	0303126	MARKER, SEALED AMBER
13	6	0303127	GROMMET, MARKER LIGHT
14	4	0303128	GROMMET, TAIL LIGHT
15	8	0304264	HINGE, DOOR
16	4	0304480	DOOR, DAYTONA BOX
17	16	0400021	SCREW, #8-32 X 1/2" RD HD PHILLIPS
18	32	0400062	SCREW, 1/4"-20 X 3/4" THRD CUT
19	4	0400066	SCREW, 1/4"-20 X 3/4" HEX HD CAP
20	11	0400070	SCREW, 1/4"-20 X 1" HEX HD CAP
21	8	0400122	SCREW, 3/8"-16 X 1-1/4" HEX HD CAP
22	4	0400126	SCREW, 3/8"-16 X 1" HEX HD CAP
23	2	0400132	SCREW, 3/8"-16 X 1-1/2" HEX HD CAP

# Section VI - PARTS (cont'd)

## DAYTONA BODY ASSEMBLY (cont'd)



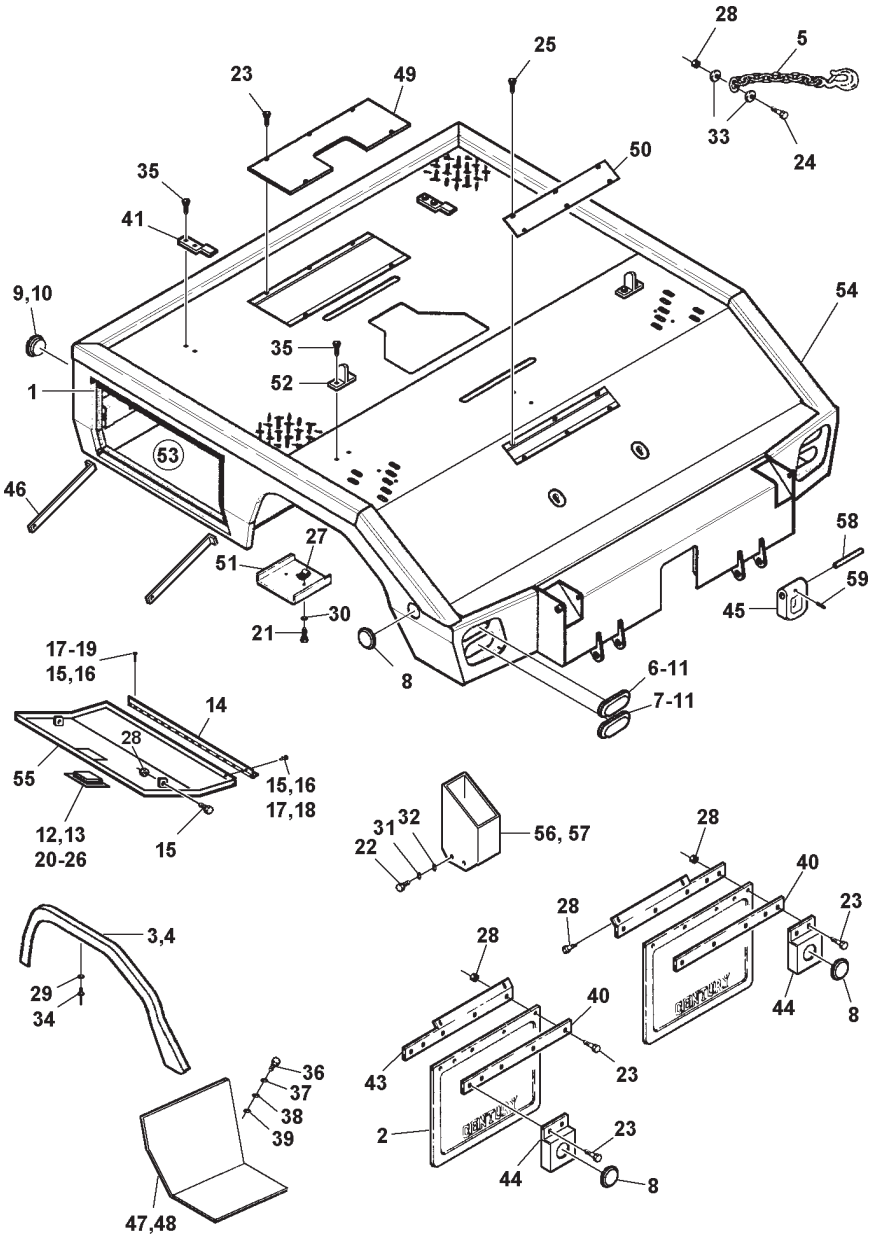
## Section VI - PARTS (cont'd)

### DAYTONA BODY ASSEMBLY (cont'd)

REF. NO.	NO. REQ'D	PART NUMBER	DESCRIPTION
24	4	0400260	SCREW, 5/8"-11 X 2" HEX HD CAP
25	16	0400351	NUT, #8-32 KEPS
26	4	0400370	CLIP, 1/4" TINNEMAN "U" TYPE
27	12	0400392	NUT, 3/8"-16 HEX NYLOK
28	2	0400421	NUT, 5/8"-11 NYLOK
29	4	0400451	WASHER, 1/4" FLAT
30	4	0400452	LOCKWASHER, 1/4" HELICAL
31	26	0400567	RIVET, 1/4" POP
32	2	0705092	MUD FLAP BAR
33	2	0707510	BRACKET, "L" ARM STORAGE
34	1	0708809	RT MUD FLAP MTG ANGLE
35	1	0708810	LT MUD FLAP MTG ANGLE
36	2	0710198	BRACKET, MARKER LIGHT
37	1	0713054	ACCESS COVER
38	1	0713122	ACCESS COVER, REAR
39	1	0713124	TOOL BOX SHELF (NOT SHOWN)
40	2	0713997	MUDGUARD, CONTROL STATION
41	2	0802712	BRACKET, "L" ARM STORAGE
42	1	0803491	BODY WELDMENT - 72" CA 90" W DAYTONA
-	-	0803735	BODY WELDMENT - 84" CA 86" W DAYTONA
-	-	0803736	BODY WELDMENT - 84" CA 90" W DAYTONA

# Section VI - PARTS (cont'd)

## ALUMINUM BODY & SUBFRAME ASSEMBLY



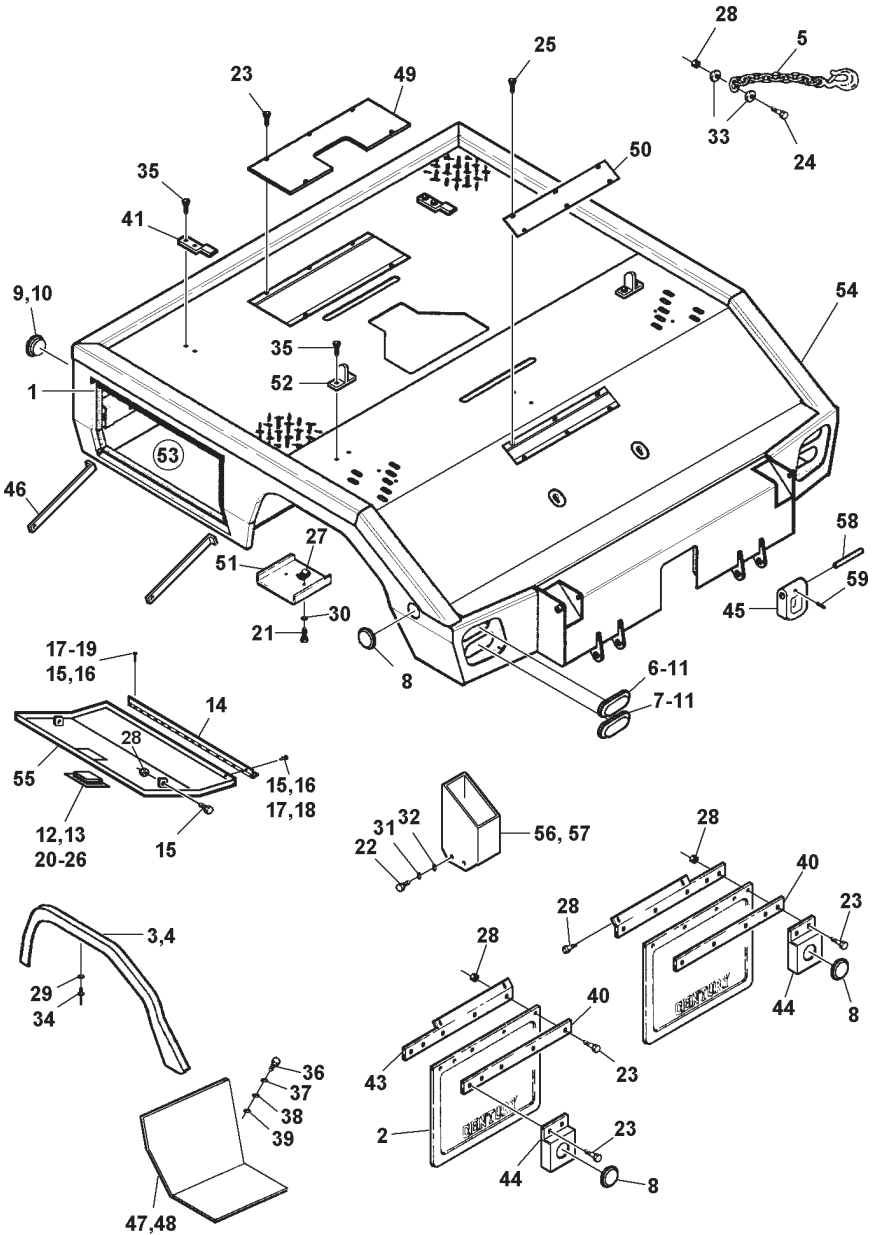
## Section VI - PARTS (cont'd)

### ALUMINUM BODY & SUBFRAME ASSEMBLY

REF. NO.	NO. REQ'D	PART NUMBER	DESCRIPTION
1	4 FT.	0300844	CLOSED CELL SPONGE, 3/4" X 1/8" W/ADHBK
2	2	0302173	MUD FLAP
3	1	0302181	LT FIBERGLASS FENDER (OPT.)
4	1	0302182	RT FIBERGLASS FENDER (OPT.)
5	2	0303116	SAFETY CHAIN, 3/8" HT X 10'
6	2	0303123	LIGHT, RED STOP & TURN
7	2	0303124	LIGHT, CLEAR BACKUP
8	4	0303125	MARKER, SEALED RED
9	2	0303126	MARKER, SEALED AMBER
10	6	0303127	GROMMET, MARKER LIGHT
11	4	0303128	GROMMET, TAIL LIGHT
12	1	0303597	ROTARY PADDLE LATCH
13	1	0303598	GASKET, ROTARY PADDLE LATCH
14	1	0303690	PIANO HINGE, 30" SS
15	32	0400011	WASHER, #8 FLAT SS
16	16	0400012	LOCKWASHER, #8 HELICAL SS
17	16	0400013	NUT, #8-32 SS
18	8	0400015	SCREW, #8-32 X 1/2" FL HD PH MACH
19	8	0400016	SCREW #8-32 X 1" FL HD PH MACH SS
20	4	0400021	SCREW, #8-32 1/2" RD HD PH MACH
21	4	0400066	SCREW, 1/4"-20 X 3/4" HEX HD CAP
22	4	0400103	SCREW, 5/16"-18 X 1-1/4" HEX HD CAP
23	2	0400122	SCREW, 3/8"-16 X 1-1/4" HEX HD CAP
24	12	0400133	SCREW, 3/8"-16 X 3" HEX HD CAP
25	4	0400181	SCREW, 1/2"-13 X 1-1/2" HEX HD CAP
26	4	0400351	NUT, #8-32 HEX & STAR WASHER
27	4	0400370	CLIP, 1/4" "U" TINNERMAN
28	14	0400392	NUT, 3/8"-16 HEX NYLOK
29	2	0400451	WASHER, 1/4" FLAT
30	4	0400452	LOCKWASHER, 1/4" HELICAL

# Section VI - PARTS (cont'd)

## ALUMINUM BODY & SUBFRAME ASSEMBLY (cont'd)



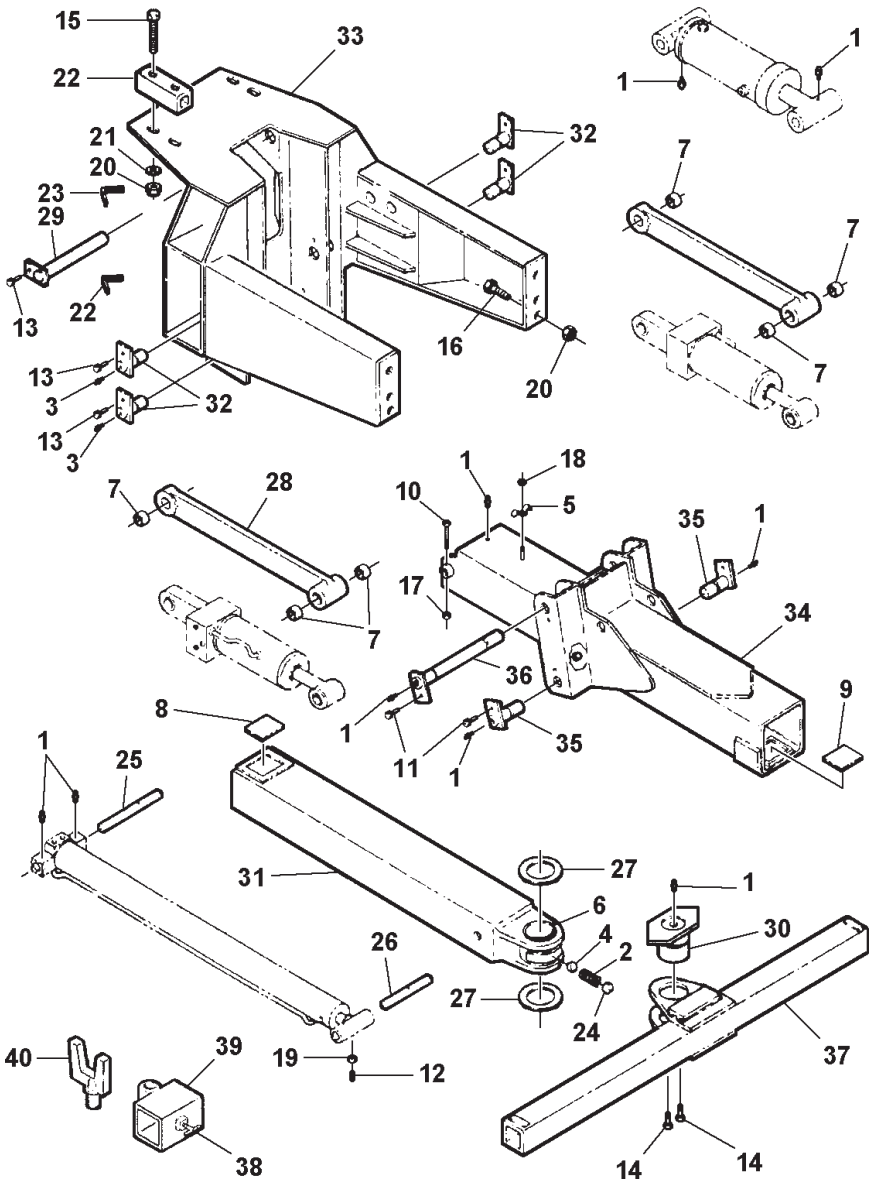
## Section VI - PARTS (cont'd)

### ALUMINUM BODY & SUBFRAME ASSEMBLY (cont'd)

REF. NO.	NO. REQ'D	PART NUMBER	DESCRIPTION
31	4	0400463	WASHER, 5/16" FLAT
32	4	0400464	LOCKWASHER, 5/16" HELICAL
33	26	0400480	WASHER, 3/8" FLAT
34	24	0400567	RIVET, 1/4" POP
35	11	0402020	SCREW, 1/4"-20 X 3/4" HEX HD CAP SS
36	12	0402042	SCREW, 3/8"-16 X 1" HEX HD CAP SS
37	31	0402120	WASHER, 3/8" FLAT SS
38	22	0402121	LOCKWASHER, 3/8" HELICAL SS
39	9	0402122	NUT, 3/8"-16 HEX SS
40	2	0705092	MUD FLAP BAR
41	2	0707510	BRACKET, "L" ARM STORAGE
42	1	0708809	RT MUD FLAP MTG ANGLE
43	1	0708810	LT MUD FLAP MTG ANGLE
44	2	0710198	BRACKET, MARKER LIGHT
45	2	0712380	"D" RING
46	2	0713003	RETAINER BAR
47	1	0713545	LT MUDGUARD, 90" WIDE
48	1	0713546	RT MUDGUARD, 90" WIDE
49	1	0713668	FRONT ACCESS COVER
50	1	0713669	REAR ACCESS COVER
51	2	0713997	MUDGUARD, CONTROL STATION
52	2	0802712	BRACKET, "L" ARM STORAGE
53	1	0803703	DOOR STRIKER, SS
54	1	0803806	BODY ASSEMBLY / SUBFRAME WELDMENT
55	1	0803844	TOOL BOX DOOR WELDMENT
56	1	0803740	LT CHAIN BOX
57	1	0803741	RT CHAIN BOX
58	2	BA0259	"D" RING PIN
59	2	HD0106	SPRING PIN, 1/4" X 1-3/4"

# Section VI - PARTS (cont'd)

## FORMULA 6500 WHEEL LIFT ASSEMBLY





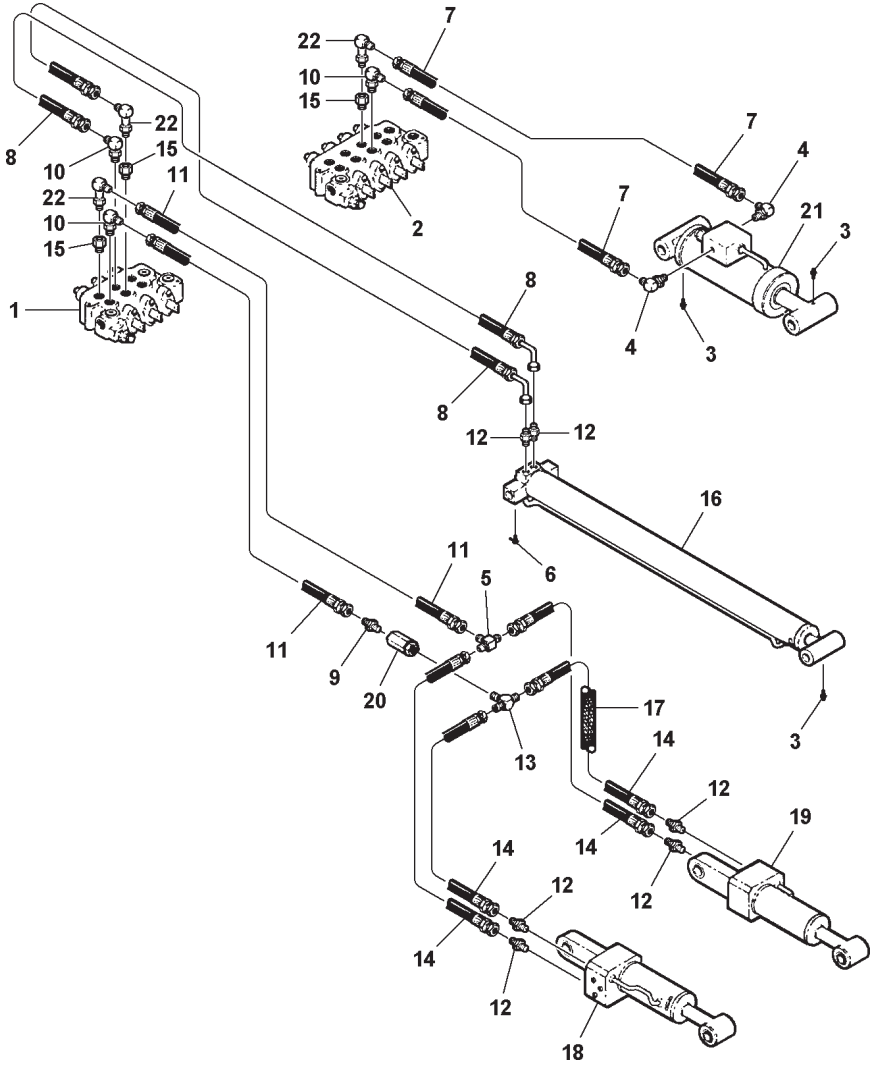
## Section VI - PARTS (cont'd)

### FORMULA 6500 WHEEL LIFT ASSEMBLY

REF. NO.	NO. REQ'D	PART NUMBER	DESCRIPTION
1	12	0300113	GREASE FITTING, ALEMITE
2	1	0301197	SPRING, DETENT
3	2	0301397	GREASE FITTING, ALEMITE 90°
4	1	0301398	BALL, DETENT
5	2	0301601	CLAMP, HOSE
6	1	0301914	BUSHING, INNER BOOM
7	6	0303016	BUSHING
8	1	0303067	SLIDE PAD, INNER BOOM, NYLATRON
9	1	0303068	SLIDE PAD, OUTER BOOM, NYLATRON
10	1	0400078	SCREW, 1/4"-20 X 2" HEX HD CAP
11	3	0400128	SCREW, 3/8"-16 X 1-1/4" FLT HD SKT SET
12	1	0400139	SCREW, 3/8"-16 X 1-1/2" HEX SKT SET
13	5	0400141	SCREW, 3/8"-16 X 7/8" HEX HD CAP
14	2	0400193	SCREW, 1/2"-13 X 1-1/2" FLT HD SKT SET
15	4	0400264	SCREW, 5/8"-11 X 2-1/4" HEX HD CAP
16	4	0400265	SCREW, 5/8"-11 X 4" HEX HD CAP
17	1	0400367	NUT, 1/4"-20 HEX NYLOK
18	1	0400392	NUT, 3/8"-16 NYLOK HEX
19	8	0400398	NUT, 3/8"-16 HEX JAM
20	8	0400421	NUT, 5/8"-11 NYLOK HEX
21	8	0400506	WASHER, 5/8" FLAT
22	2	0702157	SPACER, TUBE
23	4	0703422	HOSE GUARD
24	1	0708470	SPACER, DETENT BALL
25	1	0709535	PIN, EXTEND CYLINDER BASE
26	1	0709536	PIN, EXTEND CYLINDER ROD
27	2	0710092	THRUST WASHER
28	2	0801157	UPPER ARM WELDMENT
29	1	0802820	PIN WELDMENT, LIFT CYLINDER BASE
30	1	0802903	PIVOT PIN WELDMENT
31	1	0802948	INNER BOOM WELDMENT
32	4	0802952	PIN WELDMENT, ARMS @ FRAME
33	1	0803099	FRAME WELDMENT
34	1	0803100	OUTER BOOM WELDMENT
35	2	0803101	PIN WELDMENT, ARMS @ BOOM
36	1	0803102	PIN WELDMENT, LIFT CYLINDER ROD
37	1	0803876	INNER CROSSTUBE WELDMENT
	--	0901390	FORK KIT, FI 6000
38	2	0800590	"T" HANDLE
39	2	0804197	FORK ADAPTER
40	2	0200018	FORK, SHORT (3" OPENING)

# Section VI - PARTS (cont'd)

## FORMULA 6500 WHEEL LIFT HYDRAULICS



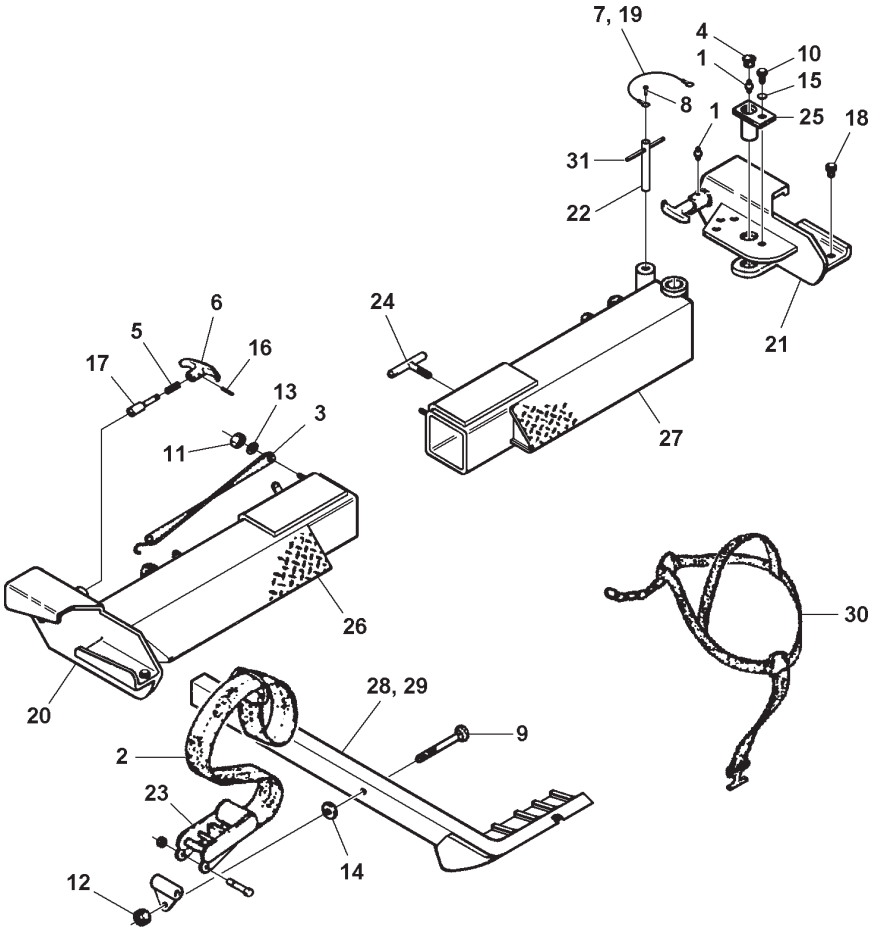
## Section VI - PARTS (cont'd)

### FORMULA 6500 WHEEL LIFT HYDRAULICS

REF. NO.	NO. REQ'D	PART NUMBER	DESCRIPTION
1	REF.	0300010	3-SPOOL VALVE
2	REF.	0300011	4-SPOOL VALVE
3	2	0300113	GREASE FITTING
4	2	0300142	ELBOW, 6MJ-4MP90
5	1	0301377	TEE, 6MJ-6MJ-6MJ
6	2	0301397	GREASE FITTING, 90°
7	2	0301402	HOSE ASSEMBLY, 45"
8	2	0301403	HOSE ASSEMBLY, 80-1/2"
9	1	0301425	CONNECTOR, 6MJ-6MP
10	3	0301470	ELBOW, 6MJ-8MB90
11	2	0301485	HOSE ASSEMBLY, 81"
12	6	0301522	CONNECTOR, 6MJ-6MB
13	1	0301855	TEE, 6MJ-6MJ-6MP
14	4	0301902	HOSE ASSEMBLY, 35"
15	3	0303017	CONNECTOR, 6MJ-6FB
16	1	0303065	EXTEND CYLINDER
17	20 FT.	0303193	SKUFF JACKET
18	1	0303256	TILT CYLINDER, L.H.
19	1	0303257	TILT CYLINDER, R.H.
20	1	0303489	RESTRICTOR VALVE, 1/16" ORIFICE
21	1	0303681	LIFT CYLINDER
22	3	0303761	ELBOW, 6MJ-6MB90L

# Section VI - PARTS (cont'd)

## OUTER CROSSTUBE & 3-WAY PIVOT TIRE RESTRAINT ASSEMBLY



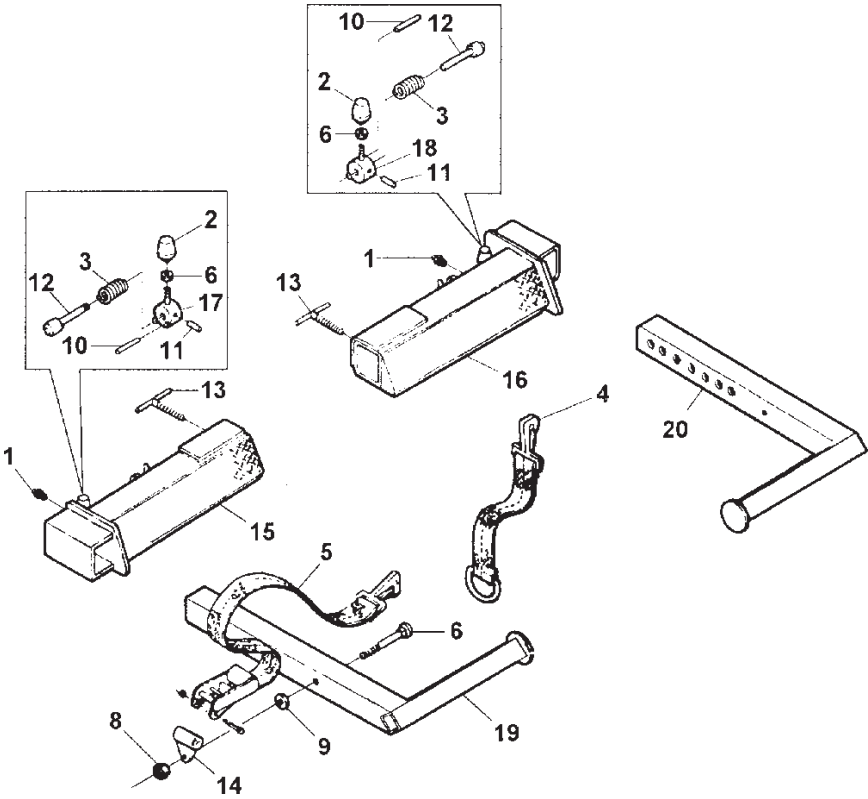
## Section VI - PARTS (cont'd)

### OUTER CROSSTUBE & 3-WAY PIVOT TIRE RESTRAINT ASSEMBLY

REF. NO.	NO. REQ'D	PART NUMBER	DESCRIPTION
--	1	0902900	OUTER CROSSTUBE & PIVOT, LEFT (COMPLETE)
--	1	0902901	OUTER CROSSTUBE & PIVOT, RIGHT (COMPLETE)
1	4	0300113	GREASE FITTING
2	2	0301399	STRAP, TIE DOWN W/ RATCHET (OPT.)
3	2	0301956	STRAP, 9" RUBBER
4	2	0302640	PLUG, DRY-OUT HOLE
5	2	0302641	SPRING, PLUNGER PIN
6	2	0302648	"T" HANDLE
7	1	0303918	CABLE ASSEMBLY
8	1	0400044	DRIVE SCREW, #10 X 1/2"
9	2	0400161	BOLT, 3/8"-16 X 2-3/4" CARRIAGE (OPT.)
10	2	0400349	SCREW, 3/8"-16 X 3/4" FL HD SKT
11	2	0400367	NUT, 1/4"-20 HEX NYLOK
12	2	0400398	NUT, 3/8"-16 NYLOK HALF (OPT.)
13	2	0400451	WASHER, 1/4" FLAT
14	2	0400480	WASHER, 3/8" FLAT (OPT.)
15	2	0400483	LOCKWASHER, 3/8" COUNTERSUNK
16	2	0400560	PIN, ROLL 5/32" X 1"
17	2	0707505	PIN, PLUNGER
18	2	0712933	PIN ALIGNMENT
19	2	0712934	CABLE PROTECTOR
20	1	0712930	END PLATE WELDMENT, L.H.
21	1	0712931	END PLATE WELDMENT, R.H.
22	2	0714415	PIN
23	2	0800583	PIVOT TIE DOWN (OPT.)
24	2	0800590	TEE HANDLE
25	2	0802187	SHAFT, PIVOT
26	1	0802677	OUTER CROSSTUBE, L.H.
27	1	0802678	OUTER CROSSTUBE, R.H.
28	1	0803648	TIRE RESTRAINT, SCOOP, LEFT
29	1	0803649	TIRE RESTRAINT, SCOOP, RIGHT
30	2	0902382	1" NYLON POLY-COAT STRAP (OPT.)
31	2	HD0107	SPRING PIN, 3/16" X 2"

# Section VI - PARTS (cont'd)

## 6000 lb. "L" ARM & RECEIVER ASSEMBLY



## Section VI - PARTS (cont'd)

### 6000 lb. "L" ARM & RECEIVER ASSEMBLY

REF. NO.	NO. REQ'D	PART NUMBER	DESCRIPTION
--	1	0901406	OUTER CROSSTUBE, LEFT (COMPLETE)
--	1	0901407	OUTER CROSSTUBE, RIGHT (COMPLETE)
1	2	0300113	GREASE FITTING
2	2	0300341	KNOB
3	2	0301417	SPRING, PLUNGER PIN
4	2	0301681	TIRE RESTRAINT BELT EXTENSION
5	2	0301682	TIRE RESTRAINT BELT ASSEMBLY
6	2	0400269	BOLT, 5/8"-11 X 4-1/2" CARRIAGE
7	2	0400393	NUT, 3/8"-16 JAM HEX
8	2	0400421	NUT, 5/8"-11 NYLOK HEX
9	2	0400506	WASHER, 5/8" FLAT
10	2	0400559	PIN, 3/16" X 1" ROLL
11	2	0400560	PIN, 5/32" X 1" ROLL
12	2	0706688	PIN, PLUNGER
13	2	0800590	HANDLE, TEE
14	2	0800839	PIVOT, TIE-DOWN STRAP
15	1	0801508	CROSSTUBE, LEFT OUTER
16	1	0801509	CROSSTUBE, RIGHT OUTER
17	1	0802069	HANDLE, LEFT PLUNGER
18	1	0802070	HANDLE, RIGHT PLUNGER
19	1	0903475	TIRE RESTRAINT, 6000#, LEFT
20	1	0903481	TIRE RESTRAINT, 6000#, RIGHT





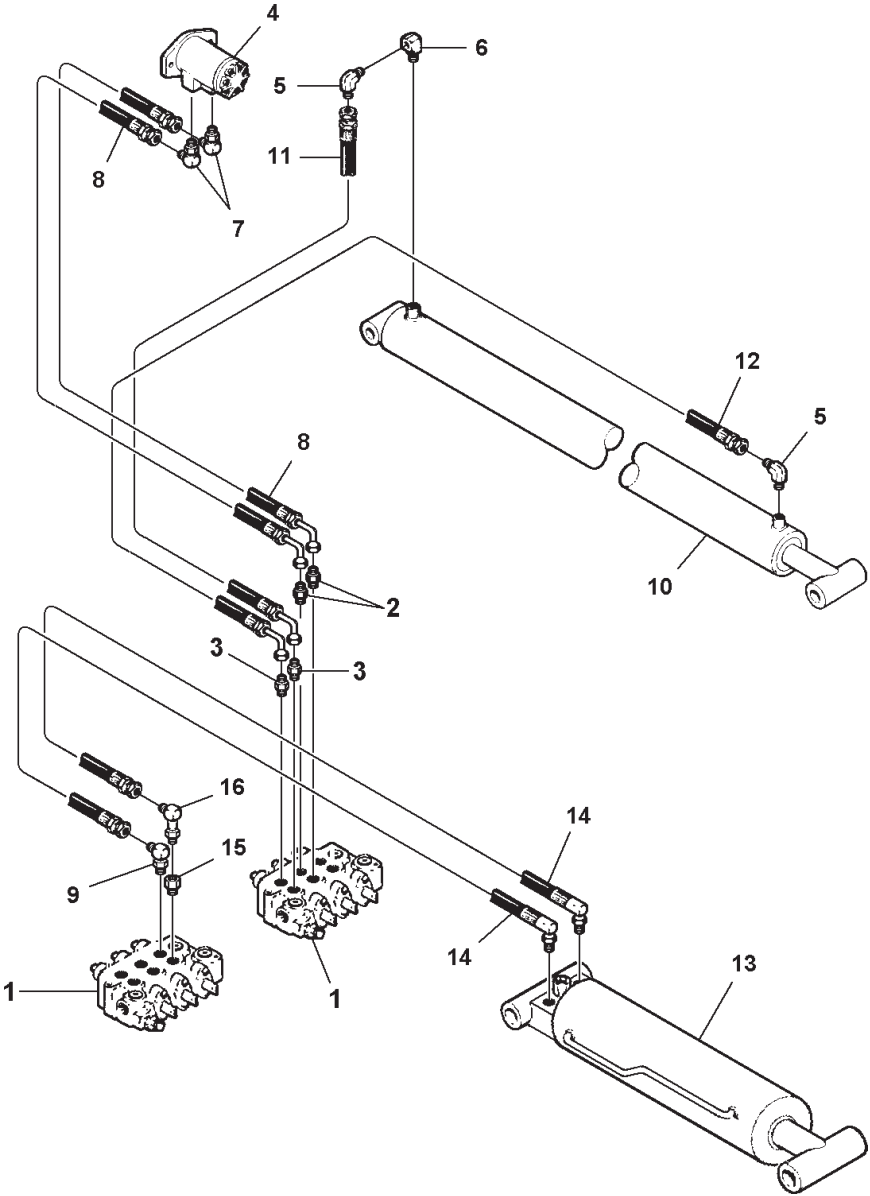
## Section VI - PARTS (cont'd)

### 601 WRECKER ASSEMBLY

REF. NO.	NO. REQ'D	PART NUMBER	DESCRIPTION
1	1	0300219	WIRE ROPE, 3/8" X 100', 6 X 19 IPS
2	4	0300110	SNAP RING, 1"
3	7	0300113	GREASE FITTING
4	1	0300251	WINCH, HLC-246 LEFT REAR
5	4	0300679	BEARING PAD, NYLATRON
6	1	0301533	TIE-DOWN STRAP, 15" W/O HOOKS
7	4	0400060	SCREW, 1/4"-20 X 1/2" HEX HD CAP
8	1	0400078	SCREW, 1/4"-20 X 2" HEX HD CAP
9	6	0400122	SCREW, 3/8"-16 X 1-1/4" HEX HD CAP
10	3	0400133	SCREW, 3/8"-16 X 3" HEX HD CAP
11	2	0400141	SCREW, 3/8"-16 X 7/8" HEX HD CAP
12	9	0400260	SCREW, 5/8"-11 X 2" HEX HD CAP
13	1	0400367	NUT, 1/4"-20 NYLOK
14	3	0400392	NUT, 3/8"-16 NYLOK
15	6	0400421	NUT, 5/8"-11 NYLOK
16	4	0400452	LOCKWASHER, 1/4" HELICAL
17	8	0400482	LOCKWASHER, 3/8" HELICAL
18	15	0400506	WASHER, 5/8" FLAT
19	3	0400508	LOCKWASHER, 5/8" HELICAL
20	1	0703082	PIN, EXTEND CYLINDER PIVOT
21	1	0703092	PIN, LIFT CYLINDER (BOOM MTG.)
22	1	0703096	PIN, BOOM PIVOT
23	1	0703097	PIN, LIFT CYLINDER PIVOT
24	1	0703137	SHAFT, EXTEND CYLINDER OUTER BOOM
25	1	0703965	RETAINER, BOLT-ON PAD
26	2	0706668	SHIM, WINCH MOUNTING
27	1	0800941	INNER BOOM WELDMENT
29	1	0801304	OUTER BOOM WELDMENT
30	1	0801510	DIP STICK WELDMENT
28	1	0803742	WRECKER FRAME, SINGLE WINCH
31	1	0900007	BOOM END SWIVEL ASSEMBLY

# Section VI - PARTS (cont'd)

## 601 WRECKER HYDRAULICS



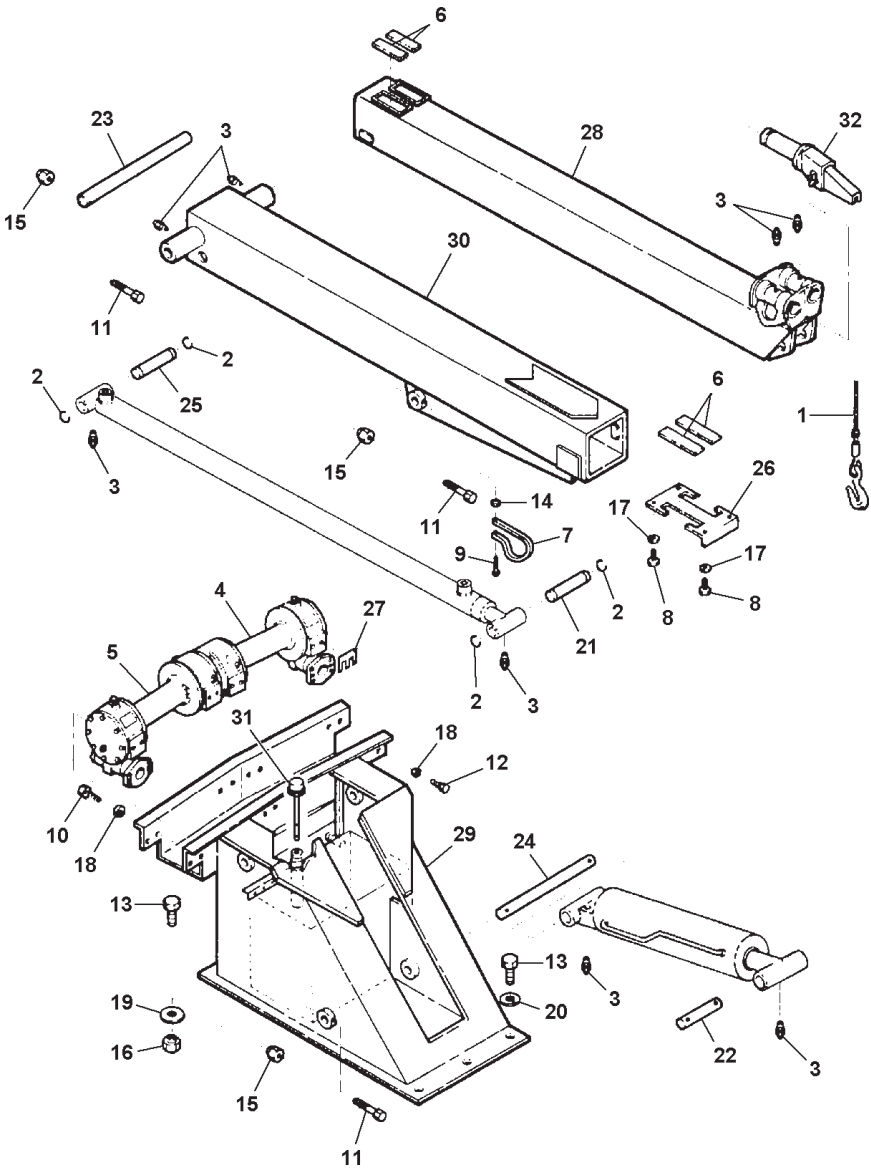
## Section VI - PARTS (cont'd)

### 601 WRECKER HYDRAULICS

REF. NO.	NO. REQ'D	PART NUMBER	DESCRIPTION
1	REF.	0300010	VALVE, 3 SPOOL CONTROL
2	2	0300041	CONNECTOR, 8MJ-8MB
3	2	0300044	CONNECTOR, 6MJ-8MB
4	1	0300090	MOTOR, HYDRAULIC
5	2	0300142	ELBOW, 6MJ-4MP90
6	1	0300147	STREET ELBOW, 4MP-4FP90
7	2	0300229	ELBOW, 8MJ-8MP90
8	2	0300787	HOSE ASSY, 53"
9	1	0301470	ELBOW, 6MJ-8MB90
10	1	0301755	BOOM EXTEND CYLINDER
11	1	0301964	HOSE ASSY, 65"
12	1	0301965	HOSE ASSY, 131"
13	1	0302357	BOOM LIFT CYLINDER
14	2	0302728	HOSE ASSY, 42"
15	1	0303017	CONNECTOR, 8MB-6FB
16	1	0303761	ELBOW, 6MJ-6MB90L

# Section VI - PARTS (cont'd)

## 602 WRECKER ASSEMBLY



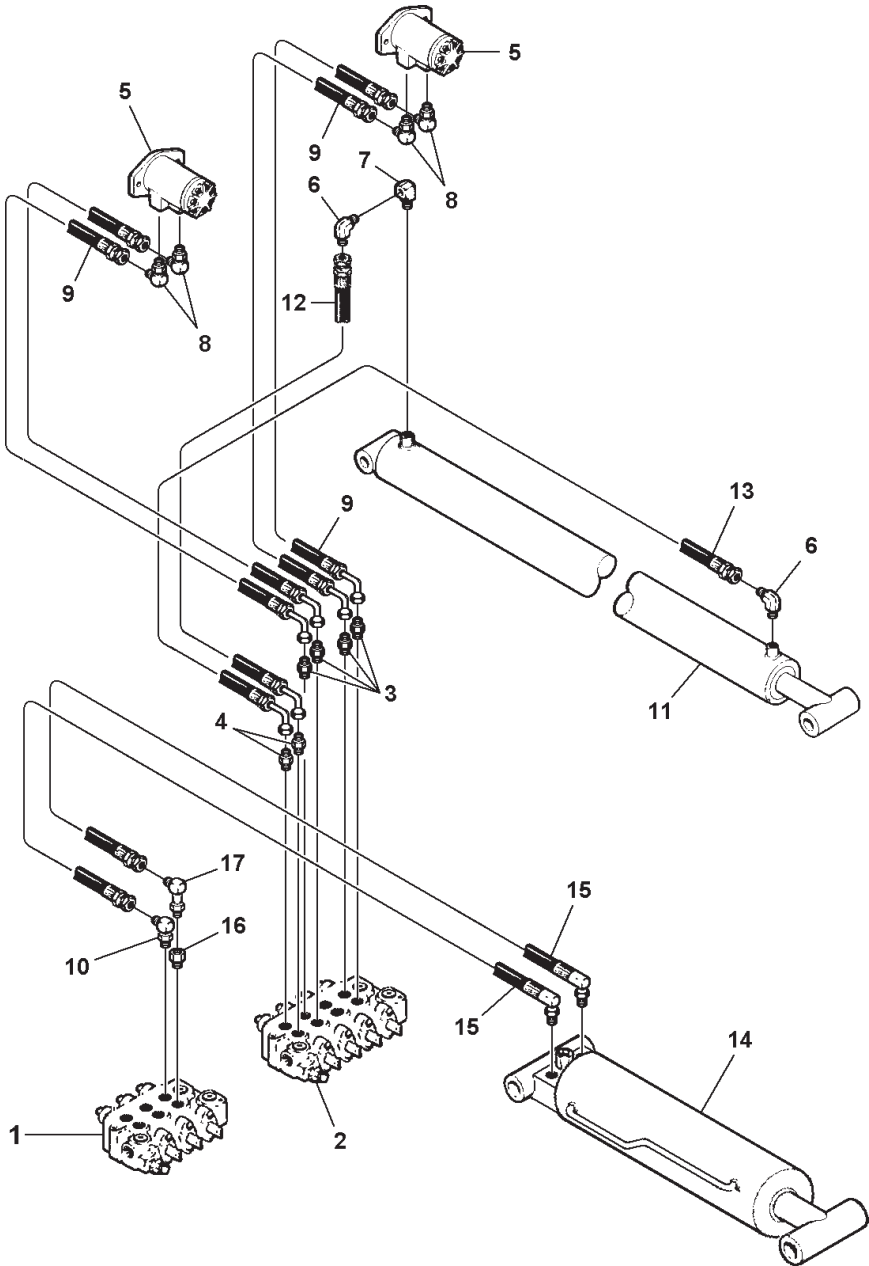
## Section VI - PARTS (cont'd)

### 602 WRECKER ASSEMBLY

REF. NO.	NO. REQ'D	PART NUMBER	DESCRIPTION
1	2	0300219	WIRE ROPE, 3/8" X 100', 6 X 19 IPS
2	4	0300110	SNAP RING, 1"
3	8	0300113	GREASE FITTING
4	1	0300250	WINCH, HLC-246 RIGHT REAR
5	1	0300251	WINCH, HLC-246 LEFT REAR
6	4	0300679	BEARING PAD, NYLATRON
7	2	0301533	TIE-DOWN STRAP, 15" W/O HOOKS
8	4	0400060	SCREW, 1/4"-20 X 1/2" HEX HD CAP
9	2	0400078	SCREW, 1/4"-20 X 2" HEX HD CAP
10	10	0400122	SCREW, 3/8"-16 X 1-1/4" HEX HD CAP
11	3	0400133	SCREW, 3/8"-16 X 3" HEX HD CAP
12	4	0400141	SCREW, 3/8"-16 X 7/8" HEX HD CAP
13	9	0400260	SCREW, 5/8"-11 X 2" HEX HD CAP
14	2	0400367	NUT, 1/4"-20 NYLOK
15	3	0400392	NUT, 3/8"-16 NYLOK
16	6	0400421	NUT, 5/8"-11 NYLOK
17	4	0400452	LOCKWASHER, 1/4" HELICAL
18	16	0400482	LOCKWASHER, 3/8" HELICAL
19	15	0400506	WASHER, 5/8" FLAT
20	3	0400508	LOCKWASHER, 5/8" HELICAL
21	1	0703082	PIN, EXTEND CYLINDER PIVOT
22	1	0703092	PIN, LIFT CYLINDER (BOOM MTG.)
23	1	0703096	PIN, BOOM PIVOT
24	1	0703097	PIN, LIFT CYLINDER PIVOT
25	1	0703137	SHAFT, EXTEND CYLINDER OUTER BOOM
26	1	0703965	RETAINER, BOLT-ON PAD
27	4	0706668	SHIM, WINCH MOUNTING
28	1	0800942	INNER BOOM WELDMENT
29	1	0801304	OUTER BOOM WELDMENT
30	1	0801510	DIP STICK WELDMENT
31	1	0803743	WRECKER FRAME, DUAL WINCH
32	2	0900007	BOOM END SWIVEL ASSEMBLY

# Section VI - PARTS (cont'd)

## 602 WRECKER HYDRAULICS



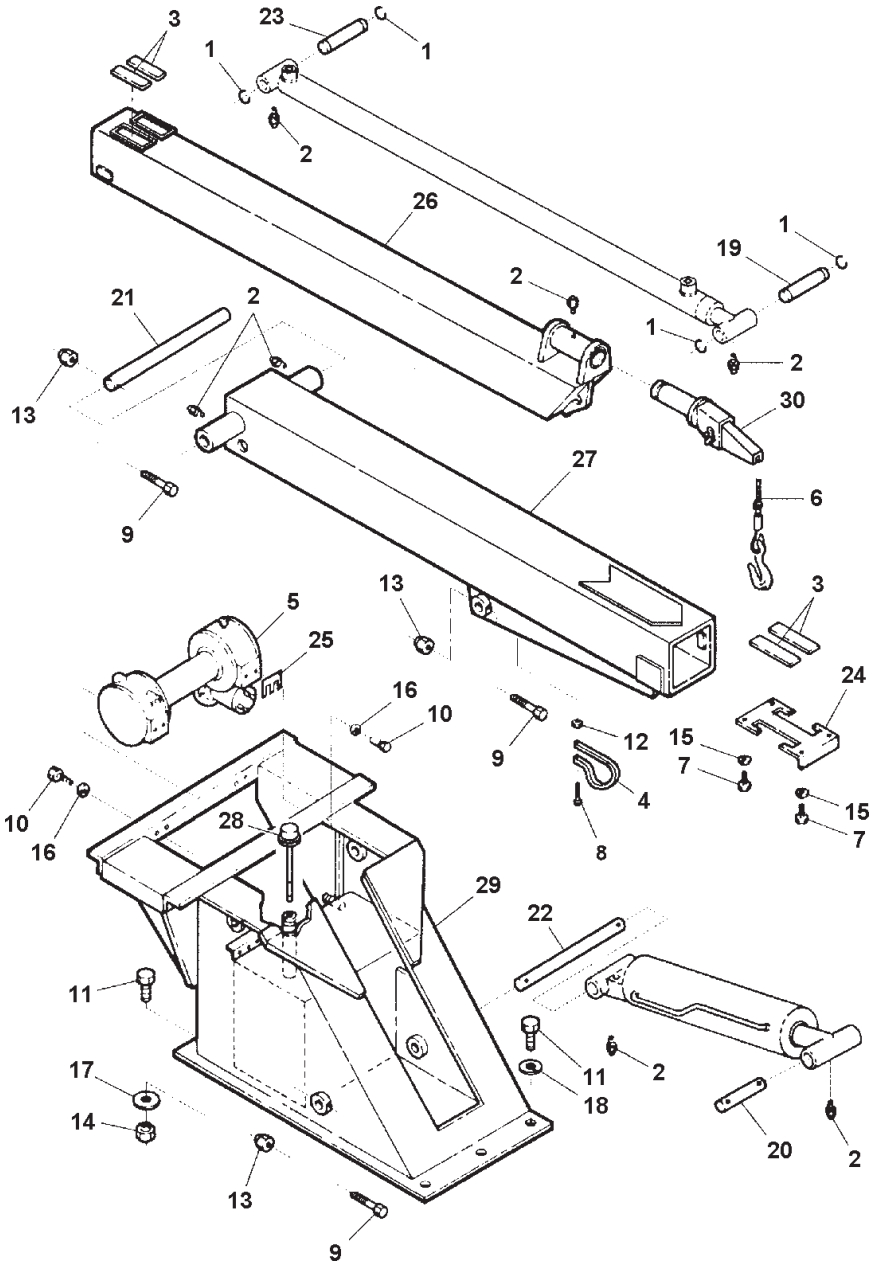
## Section VI - PARTS (cont'd)

### 602 WRECKER HYDRAULICS

REF. NO.	NO. REQ'D	PART NUMBER	DESCRIPTION
1	REF.	0300010	VALVE, 3 SPOOL CONTROL
2	REF.	0300011	VALVE, 4 SPOOL CONTROL
3	4	0300041	CONNECTOR, 8MJ-8MB
4	2	0300044	CONNECTOR, 6MJ-8MB
5	2	0300090	MOTOR, HYDRAULIC
6	2	0300142	ELBOW, 6MJ-4MP90
7	1	0300147	STREET ELBOW, 4MP-4FP90
8	4	0300229	ELBOW, 8MJ-8MP90
9	4	0300787	HOSE ASSY, 53"
10	1	0301470	ELBOW, 6MJ-8MB90
11	1	0301755	BOOM EXTEND CYLINDER
12	1	0301964	HOSE ASSY, 65"
13	1	0301965	HOSE ASSY, 131"
14	1	0302357	BOOM LIFT CYLINDER
15	2	0302728	HOSE ASSY, 42"
16	1	0303017	CONNECTOR, 8MB-6FB
17	1	0303761	ELBOW, 6MJ-6MB90L

# Section VI - PARTS (cont'd)

## 611 WRECKER ASSEMBLY





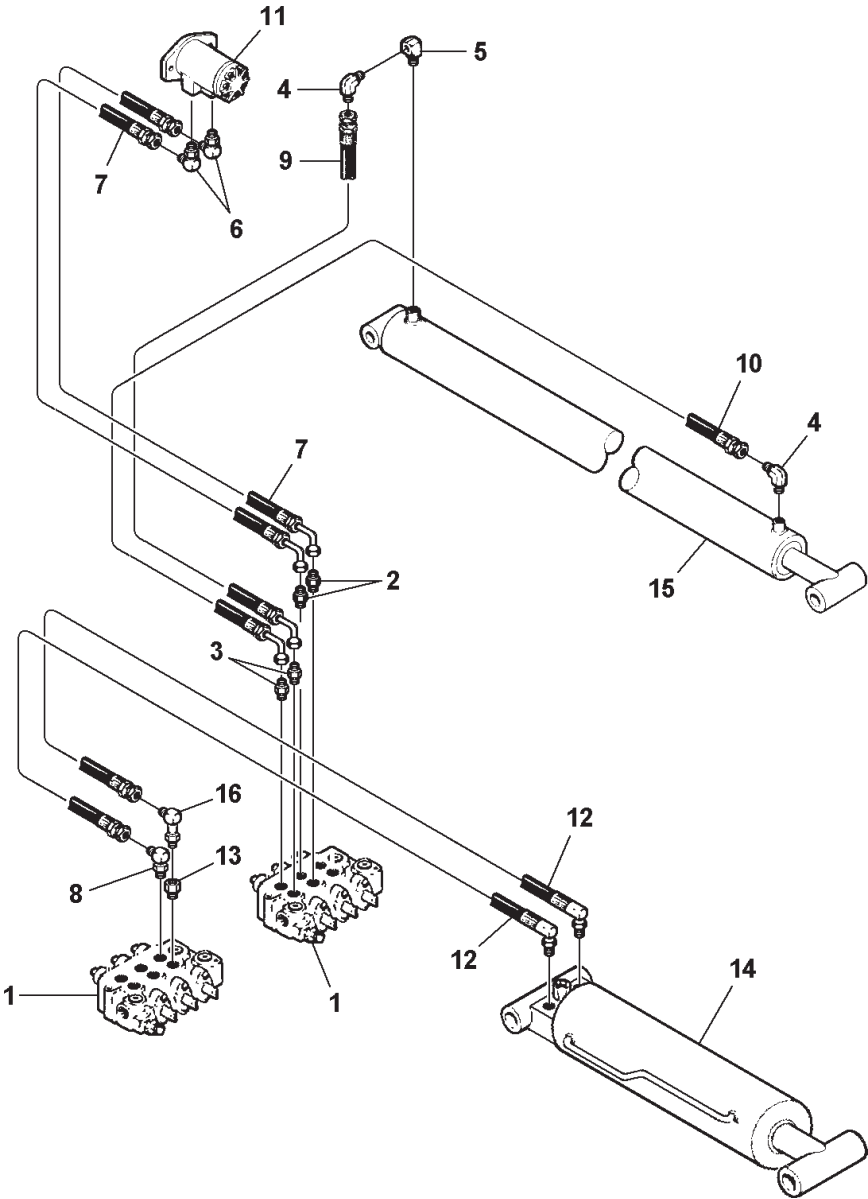
## Section VI - PARTS (cont'd)

### 611 WRECKER ASSEMBLY

REF. NO.	NO. REQ'D	PART NUMBER	DESCRIPTION
1	4	0300110	SNAP RING, 1"
2	7	0300113	GREASE FITTING
3	4	0300679	BEARING PAD, NYLATRON
4	1	0301533	TIE-DOWN STRAP, 15" W/O HOOKS
5	1	0302279	WINCH, RAMSEY H400 SHORT, LEFT
6	1	0302723	WIRE ROPE, 7/16" X 150', 6 X 25 IWRC
7	4	0400060	SCREW, 1/4"-20 X 1/2" HEX HD CAP
8	1	0400078	SCREW, 1/4"-20 X 2" HEX HD CAP
9	3	0400133	SCREW, 3/8"-16 X 3" HEX HD CAP
10	8	0400234	SCREW, 7/16"-14 X 1-1/4" HEX HD CAP
11	9	0400260	SCREW, 5/8"-11 X 2" HEX HD CAP
12	1	0400367	NUT, 1/4"-20 NYLOK
13	3	0400392	NUT, 3/8"-16 NYLOK
14	6	0400421	NUT, 5/8"-11 NYLOK
15	4	0400452	LOCKWASHER, 1/4" HELICAL
16	8	0400487	LOCKWASHER, 7/16" HELICAL
17	15	0400506	WASHER, 5/8" FLAT
18	3	0400508	LOCKWASHER, 5/8" HELICAL
19	1	0703082	PIN, EXTEND CYLINDER PIVOT
20	1	0703092	PIN, LIFT CYLINDER (BOOM MTG.)
21	1	0703096	PIN, BOOM PIVOT
22	1	0703097	PIN, LIFT CYLINDER PIVOT
23	1	0703137	SHAFT, EXTEND CYLINDER OUTER BOOM
24	1	0703965	RETAINER, BOLT-ON PAD
25	2	0706668	SHIM, WINCH MOUNTING
26	1	0801510	DIP STICK WELDMENT
27	1	0801742	WRECKER FRAME, 611
28	1	0803488	OUTER BOOM WELDMENT
29	1	0803892	INNER BOOM WELDMENT
30	1	0900007	BOOM END SWIVEL ASSEMBLY

# Section VI - PARTS (cont'd)

## 611 WRECKER HYDRAULICS



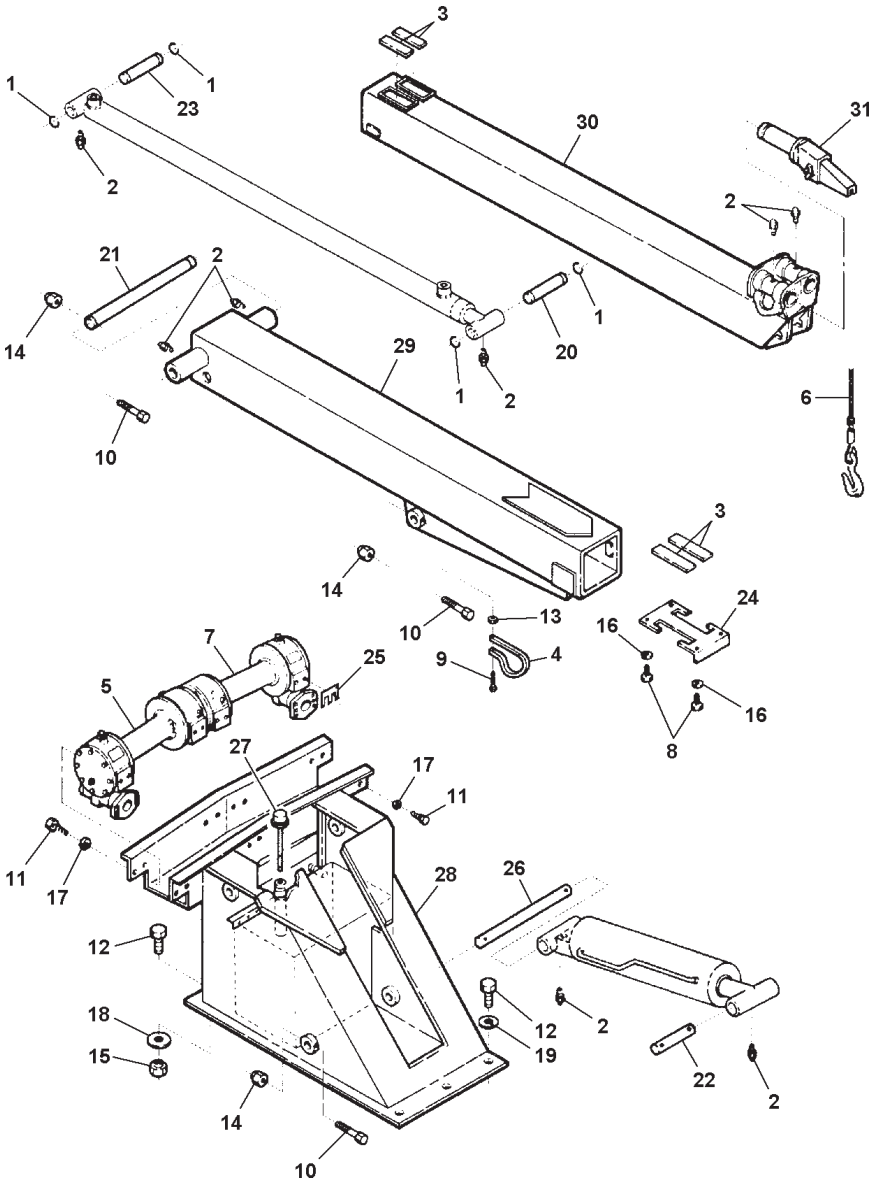
## Section VI - PARTS (cont'd)

### 611 WRECKER HYDRAULICS

REF. NO.	NO. REQ'D	PART NUMBER	DESCRIPTION
1	REF.	0300010	VALVE, 3 SPOOL CONTROL
2	2	0300041	CONNECTOR, 8MJ-8MB
3	2	0300044	CONNECTOR, 6MJ-8MB
4	2	0300142	ELBOW, 6MJ-4MP90
5	1	0300147	STREET ELBOW, 4MP-4FP90
6	2	0300229	ELBOW, 8MJ-8MP90
7	2	0300787	HOSE ASSY, 53"
8	1	0301470	ELBOW, 6MJ-8MB90
9	1	0301964	HOSE ASSY, 65"
10	1	0301965	HOSE ASSY, 131"
11	1	0302469	MOTOR, HYDRAULIC
12	2	0302728	HOSE ASSY, 42"
13	1	0303017	CONNECTOR, 8MB-6FB
14	1	0303549	BOOM LIFT CYLINDER
15	1	0303550	BOOM EXTEND CYLINDER
16	1	0303761	ELBOW, 6MJ-6MB90L

# Section VI - PARTS (cont'd)

## 612 WRECKER ASSEMBLY



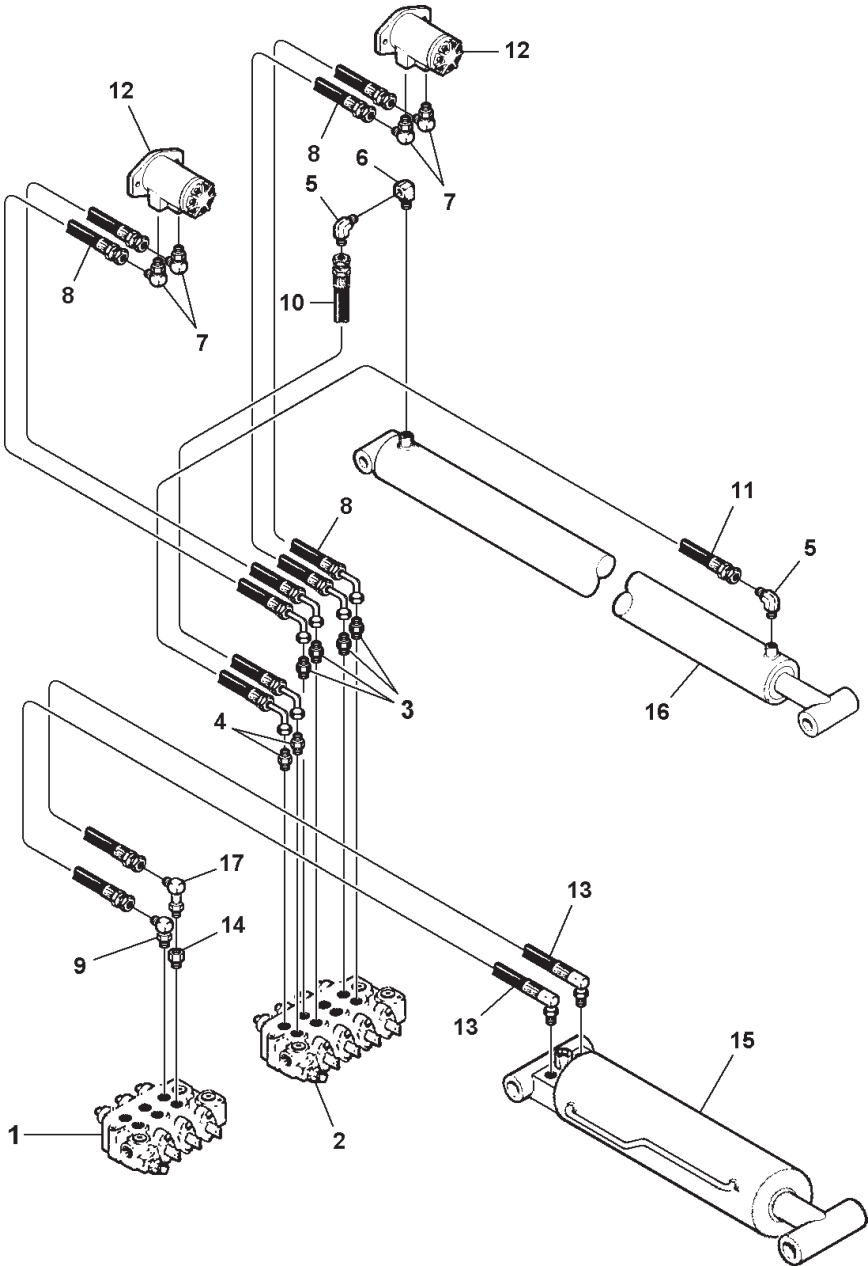
## Section VI - PARTS (cont'd)

### 612 WRECKER ASSEMBLY

REF. NO.	NO. REQ'D	PART NUMBER	DESCRIPTION
1	4	0300110	SNAP RING, 1"
2	8	0300113	GREASE FITTING
3	4	0300679	BEARING PAD, NYLATRON
4	2	0301533	TIE-DOWN STRAP, 15" W/O HOOKS
5	1	0302149	LEFT WINCH, RAMSEY H-400 SHORT
6	2	0302723	WIRE ROPE, 7/16" X 150', 6 X 25 IWRC
7	1	0302724	RIGHT WINCH, RAMSEY H-400 SHORT
8	4	0400060	SCREW, 1/4"-20 X 1/2" HEX HD CAP
9	2	0400078	SCREW, 1/4"-20 X 2" HEX HD CAP
10	3	0400133	SCREW, 3/8"-16 X 3" HEX HD CAP
11	16	0400234	SCREW, 7/16"-14 X 1-1/4" HEX HD CAP
12	9	0400260	SCREW, 5/8"-11 X 2" HEX HD CAP
13	2	0400367	NUT, 1/4"-20 HEX NYLOK
14	3	0400392	NUT, 3/8"-16 HEX NYLOK
15	6	0400421	NUT, 5/8"-11 HEX NYLOK
16	4	0400452	LOCKWASHER, 1/4" HELICAL
17	16	0400487	LOCKWASHER, 7/16" HELICAL
18	15	0400506	WASHER, 5/8" FLAT
19	3	0400508	LOCKWASHER, 5/8" HELICAL
20	1	0703082	PIN, EXTEND CYLINDER PIVOT
21	1	0703096	PIN, BOOM PIVOT
22	1	0703097	PIN, LIFT CYLINDER PIVOT
23	1	0703137	SHAFT, EXTEND CYLINDER OUTER BOOM
24	1	0703965	RETAINER, BOLT-ON PAD
25	4	0706668	SHIM, WINCH MOUNTING
26	1	0712956	PIN, LIFT CYLINDER
27	1	0801510	DIP STICK WELDMENT
28	1	0803486	WRECKER FRAME, 612
29	1	0803488	OUTER BOOM WELDMENT
30	1	0803489	INNER BOOM WELDMENT
31	2	0904171	BOOM END SWIVEL ASSEMBLY

# Section VI - PARTS (cont'd)

## 612 WRECKER HYDRAULICS



## Section VI - PARTS (cont'd)

### 612 WRECKER HYDRAULICS

REF. NO.	NO. REQ'D	PART NUMBER	DESCRIPTION
1	REF.	0300010	VALVE, 3 SPOOL CONTROL
2	REF.	0300011	VALVE, 4 SPOOL CONTROL
3	4	0300041	CONNECTOR, 8MJ-8MB
4	2	0300044	CONNECTOR, 6MJ-8MB
5	2	0300142	ELBOW, 6MJ-4MP90
6	1	0300147	STREET ELBOW, 4MP-4FP90
7	4	0300229	ELBOW, 8MJ-8MP90
8	4	0300787	HOSE ASSY, 53"
9	1	0301470	ELBOW, 6MJ-8MB90
10	1	0301964	HOSE ASSY, 65"
11	1	0301965	HOSE ASSY, 131"
12	2	0302469	MOTOR, HYDRAULIC
13	2	0302728	HOSE ASSY, 42"
14	1	0303017	CONNECTOR, 8MB-6FB
15	1	0303549	BOOM LIFT CYLINDER
16	1	0303550	BOOM EXTEND CYLINDER
17	1	0303761	ELBOW, 6MJ-6MB90L





## Section VI - PARTS (cont'd)

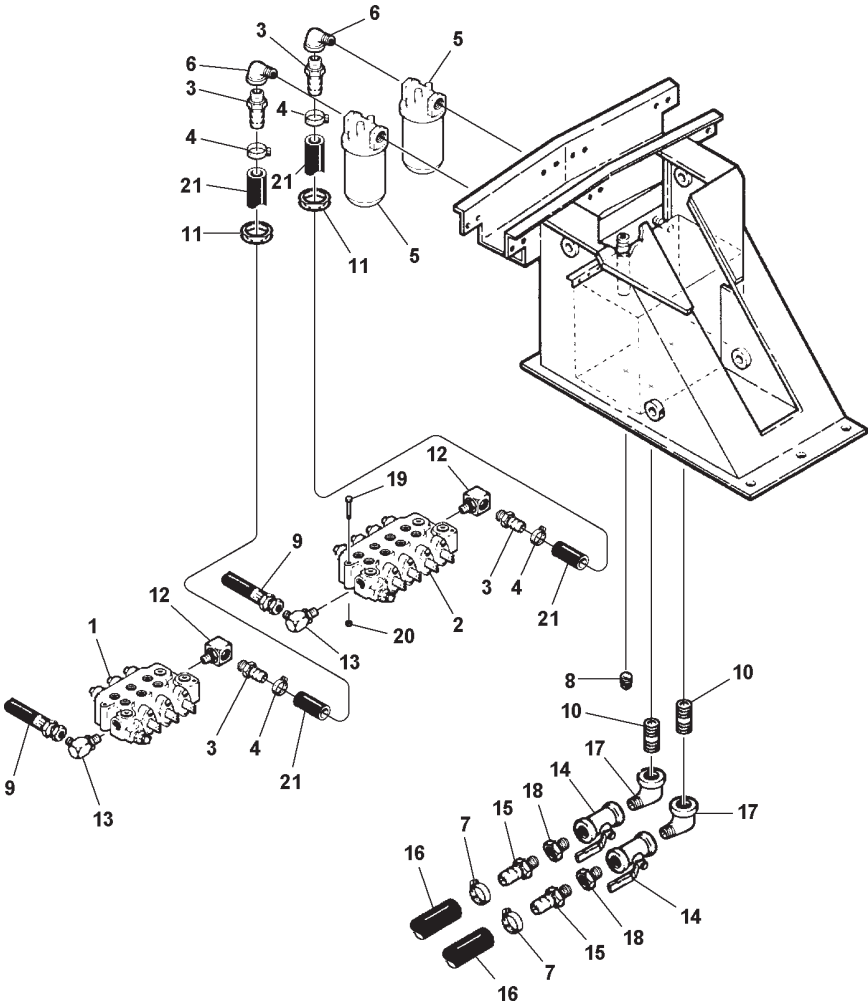
### VALVE & FILTER HYDRAULICS - WRECKER

REF. NO.	NO. REQ'D	PART NUMBER	DESCRIPTION
1	1	0300010	VALVE, 3 SPOOL CONTROL
2	1	0300010	VALVE, 3 SPOOL CONTROL (601, 611)
	1	0300011	VALVE, 4 SPOOL CONTROL (602, 612)
3	2	0300052	ELBOW, 8MJ-10MB90
4	2	0300055	HOSE BARB, 12C4-12MP
5	1	0300056	BARB, 16C4-16MP
6	11 FT.	0300058	SUCTION HOSE, 1"
7	3	0300071	CLAMP, HOSE 1"
8	1	0300136	RETURN LINE FILTER ASSEMBLY
9	1	0300286	FITTING, H.P. CARRY-OVER
10	1	0300288	STREET ELBOW, 3/4" 90°
11	1	0300446	PIPE PLUG, 3/4" NPT MALE
12	1	0300660	HOSE ASSY, 120"
13	1	0300???	HOSE ASSY, ??"
14	1	0301334	CATERPILLAR GROMMET, 1/2"
15	1	0301375	ELBOW, 12MB-12FP90
16	1	0301388	ELBOW, 8MJ-8MB90
17	1	0301547	ELBOW, 12MJ-12MB90
18	1	0301780	CONNECTOR, 8MJ-12MB
19	1	0302108	REDUCER BUSHING, 20MP-16FP
20	1	0302610	HOSE ASSY, 36"
21	1	0302959	NIPPLE, 1" NPT X 3"
22	1	0303052	PIPE PLUG, 1-1/2" NPT MALE
23	1	0303070	PIPE CAP, 3/4" NPT
24	1	0303099	STREET ELBOW, 1" 45°
25	6	0400140	SCREW, 3/8"-16 X 4" HEX HD CAP
26	6	0400392	NUT, 3/8"-16 HEX NYLON
27	1	0705085	RETURN HOSE, 3/4" X 48"
28	1	HC1338	GATE VALVE, 1" BRASS

# Section VI - PARTS (cont'd)

## VALVE & FILTER HYDRAULICS

### SPLIT SYSTEM (602 & 612 ONLY)



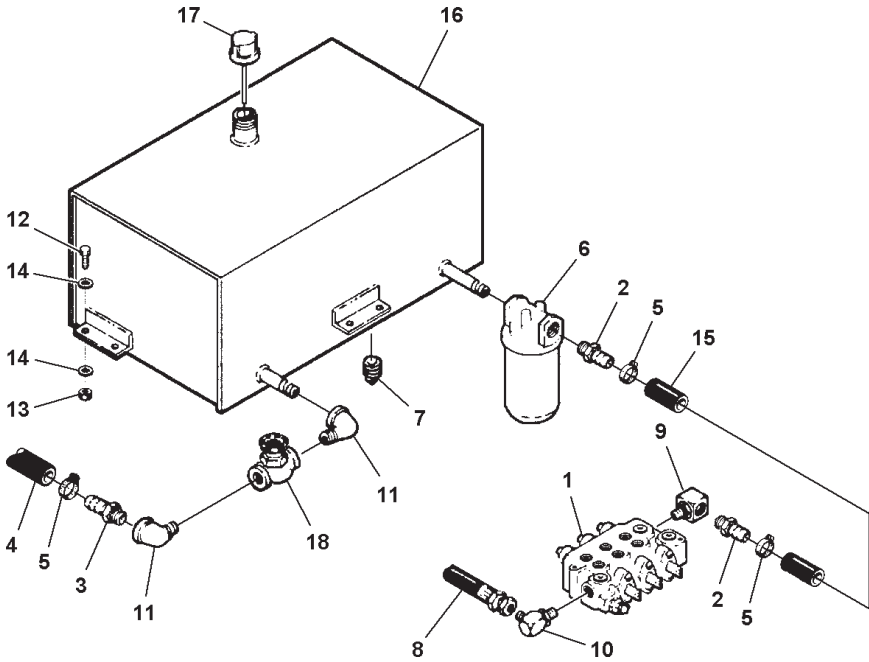
**Section VI - PARTS (cont'd)**  
**VALVE & FILTER HYDRAULICS**  
**SPLIT SYSTEM (602 & 612 ONLY)**

REF. NO.	NO. REQ'D	PART NUMBER	DESCRIPTION
1	1	0300010	VALVE, 3 SPOOL CONTROL
2	1	0300011	VALVE, 4 SPOOL CONTROL
3	4	0300055	HOSE BARB, 12C4-12MP
4	4	0300071	CLAMP, HOSE 1"
5	2	0300136	RETURN LINE FILTER ASSEMBLY
6	2	0300288	STREET ELBOW, 3/4" 90°
7	2	0300364	CLAMP, HOSE 1" - 2-1/4"
8	1	0300446	PIPE PLUG, 3/4" NPT MALE
9	2	0300660	HOSE ASSY, 120"
10	2	0300891	NIPPLE, 1-1/2" NPT X 3"
11	2	0301334	CATERPILLAR GROMMET, 1/2"
12	2	0301375	ELBOW, 12MB-12FP90
13	2	0301547	ELBOW, 12MJ-12MB90
14	2	0302088	BALL VALVE, 1-1/2"
15	2	0302698	HOSE BARB, 20C4-20MP
16	22 FT.	0302756	SUCTION HOSE, 1-1/4"
17	2	0302983	STREET ELBOW, 1-1/2" 45°
18	2	0303463	REDUCER BUSHING, 24MP-20FP
19	6	0400140	SCREW, 3/8"-16 X 4" HEX HD CAP
20	6	0400392	NUT, 3/8"-16 HEX NYLOK
21	2	0705085	RETURN HOSE, 3/4" X 48"

# Section VI - PARTS (cont'd)

## FORMULA 6500 (W/O WRECKER)

### VALVE & FILTER HYDRAULICS



**Section VI - PARTS (cont'd)**  
**FORMULA 6500 (W/O WRECKER)**  
**VALVE & FILTER HYDRAULICS**

REF. NO.	NO. REQ'D	PART NUMBER	DESCRIPTION
1	1	0300010	VALVE, 3 SPOOL CONTROL
2	2	0300055	HOSEBARB, 12C4-12MP
3	1	0300056	BARB, 16C4-16MP
4	11 FT.	0300058	HOSE, SUCTION 1"
5	3	0300071	CLAMP, HOSE 1"
6	1	0300136	RETURN LINE FILTER ASSEMBLY
7	1	0300446	PIPE PLUG, 3/4" NPT MALE
8	2	0300660	HOSE ASSY, 120"
9	1	0301375	ELBOW, 12MB-12FP90
10	1	0301547	ELBOW, 12MJ-12MB90
11	2	0303099	STREET ELBOW, 45°, 1" MALLEABLE BLACK
12	4	0400084	SCREW, 1/4"-20 X 1-1/2" HEX HD CAP
13	4	0400367	NUT, 1/4"-20 NYLOK HEX
14	8	0400451	WASHER, 1/4" FLAT
15	2	0705085	RETURN HOSE, 3/4" X 48"
16	1	0802976	RESERVOIR WELDMENT
17	1	0802977	RESERVOIR CAP / DIPSTICK WELDMENT
18	1	HC1338	GATE VALVE, 1" BRASS



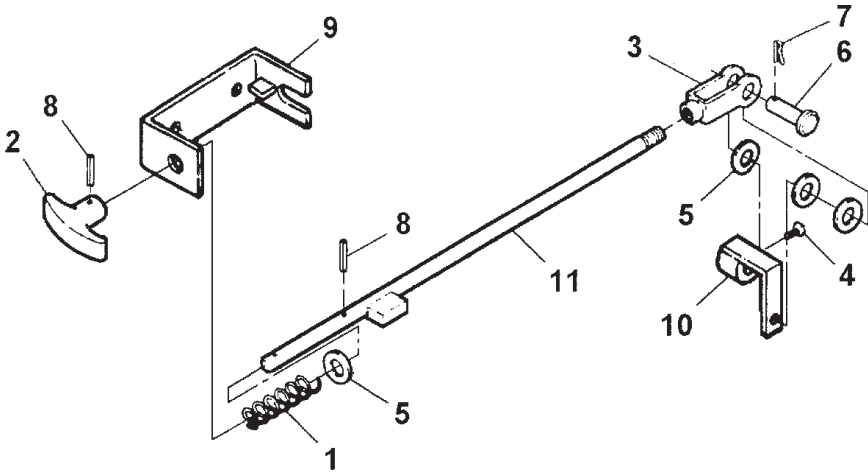
## Section VI - PARTS (cont'd)

### CONTROL & CROSSROD ASSEMBLY

REF. NO.	NO. REQ'D	PART NUMBER	DESCRIPTION
1	21	0300122	GROMMET, SPLIT PLASTIC
2	4	0300834	KNOB, CABLE "IN-OUT" (RED)
3	2	0300835	KNOB, WRECKER BOOM "UP-DN" (BLACK)
4	2	0300837	KNOB, WRECKER BOOM "IN-OUT" (BLACK)
5	2	0302856	KNOB W/L "TILT" (GRAY)
6	2	0302917	KNOB, W/L "IN-OUT" (GRAY)
7	2	0302967	KNOB, W/L "UP-DN" (GRAY)
8	6	0400066	SCREW, 1/4"-20 X 3/4" HEX HD CAP
9	6	0400370	CLIP, 1/4" TINNEMAN
10	14	0400390	NUT, 3/8"-16 HEX JAM ESLOK
11	7	0400392	NUT, 3/8"-16 NYLOK HEX
12	21	0400393	NUT, 3/8"-16 HEX JAM
13	6	0400452	LOCKWASHER, 1/4" HELICAL
14	7	0400527	CLEVIS PIN, 5/16" X 5/8" COTTERLESS
15	14	0400542	COTTER PIN, 3/16" X 1-1/4"
16	7	0400543	COTTER PIN, 1/8" X 3/4"
17	7	0701099	EXTENSION, CONTROL ROD LONG
19	1	0703501	ANGLE, CROSSROD BEARING
23	2	0704517	CHANNEL, CROSSROD BEARING
24	14	0705494	LEVER, CONTROL
21	4	0713483	CROSSROD - WRECKER
20	3	0713484	CROSSROD - W/L
25	7	0800604	ARM, CROSS CONTROL
26	3	0803675	CONTROL ROD, SHORT
27	2	0803676	CONTROL ROD, MEDIUM
28	1	0803677	CONTROL ROD, LONG

# Section VI - PARTS (cont'd)

## WINCH CLUTCH CONTROL - SINGLE

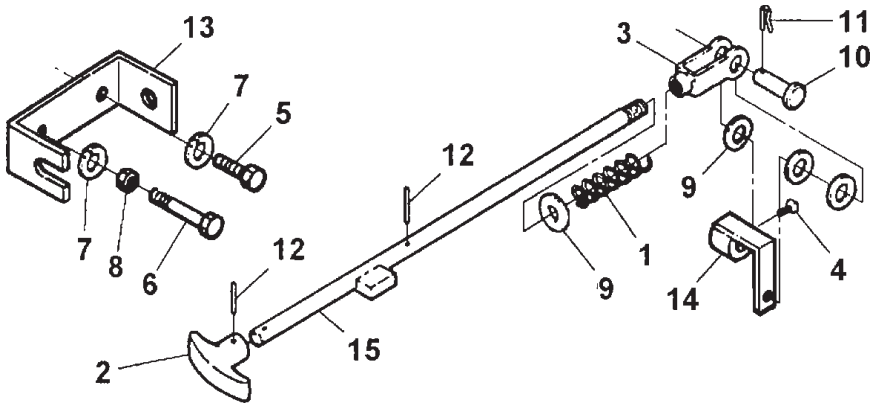


REF. NO.	NO. REQ'D	PART NUMBER	DESCRIPTION
1	1	0300845	SPRING, COMPRESSION
2	1	0301532	"T" HANDLE
3	1	0301588	ADJUSTING YOKE
4	1	0400116	SCREW, 5/16"-18 X 1/2" SQ HD SET
5	4	0400492	WASHER, 1/2" FLAT
6	1	0400537	PIN, 1/2" X 1-1/2" CLEVIS
7	1	0400546	PIN, 1/8" X 1-1/4" COTTER
8	2	0400560	PIN, 5/32" X 1" ROLL
9	1	0702408	MOUNTING CHANNEL (WELDED TO WRECKER FRAME)
10	1	0800779	BELL CRANK WELDMENT
11	1	0800780	CONTROL ROD, SINGLE WINCH



## Section VI - PARTS (cont'd)

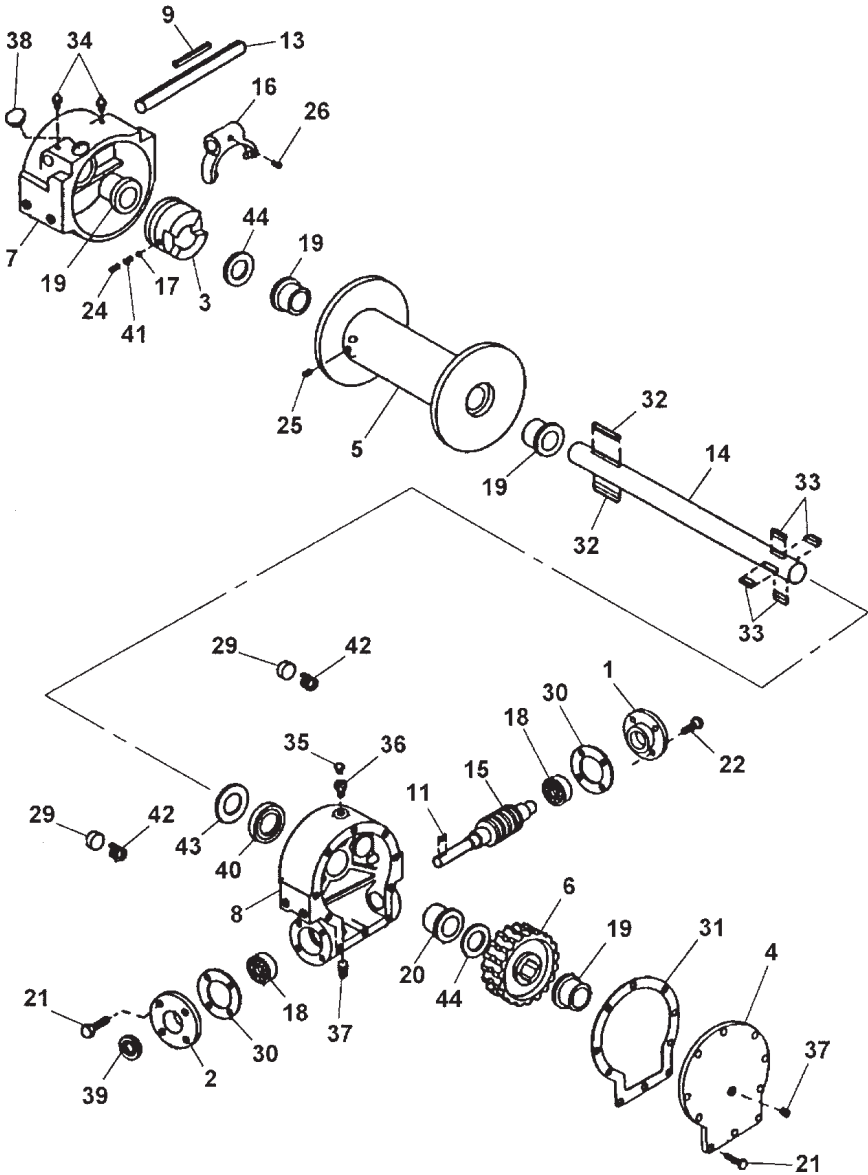
### WINCH CLUTCH CONTROL - DUAL



REF. NO.	NO. REQ'D	PART NUMBER	DESCRIPTION
1	1	0300845	SPRING, COMPRESSION
2	1	0301532	"T" HANDLE
3	1	0301588	ADJUSTING YOKE
4	1	0400116	SCREW, 5/16"-18 X 1/2" SQ HD SET
5	1	0400122	SCREW, 3/8"-16 X 1-1/4" HEX HD CAP
6	1	0400150	SCREW, 3/8"-16 X 2-1/2" HEX HD CAP
7	2	0400482	LOCKWASHER, 3/8" HELICAL
8	1	0400393	NUT, 3/8"-16 JAM
9	4	0400492	WASHER, 1/2" FLAT
10	1	0400537	PIN, 1/2" X 1-1/2" CLEVIS
11	1	0400546	PIN, 1/8" X 1-1/4" COTTER
12	2	0400560	PIN, 5/32" X 1" ROLL
13	1	0702408	MOUNTING CHANNEL
14	1	0800779	BELL CRANK WELDMENT
15	1	0800781	CONTROL ROD

# Section VI - PARTS (cont'd)

## H-246 HYDRAULIC WINCH



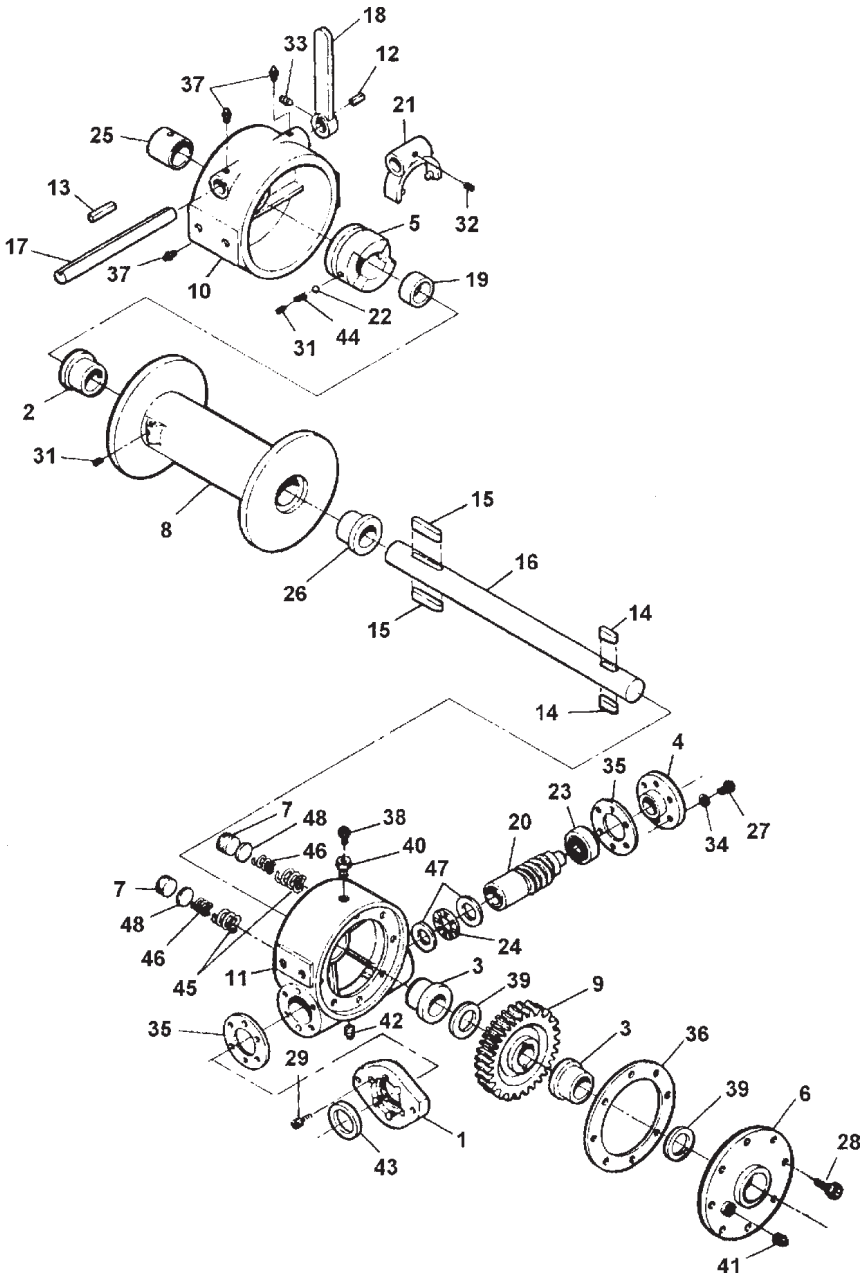
## Section VI - PARTS (cont'd)

### H-246 HYDRAULIC WINCH

REF. NO.	NO. REQ'D	PART NUMBER	DESCRIPTION
1	1	0316083	BEARING CAP
2	1	0316084	BEARING CAP
3	1	0324161	JAW CLUTCH
4	1	0328134	COVER
5	1	0332007	DRUM "Y"
6	1	0334164	GEAR L.H. 46:1
7	1	0338003	HOUSING, CLUTCH
8	1	0338273	HOUSING, GEAR
9	1	0342018	KEY
10	1	0342024	KEY
11	1	0342027	KEY
12	1	0344008	LEVER, SHIFTER
13	1	0356902	SHAFT, SHIFTER
14	1	0357480	SHAFT, DRUM "Y"
15	1	0368009	WORM L.H. 46:1
16	1	0370001	YOKE
17	1	0400001	BALL, POPPET
18	2	0402002	BEARING, BALL
19	4	0412003	BUSHING
20	1	0412045	BUSHING
21	10	0414038	SCREW, 1/4-20 X 3/4" HEX HD CAP
22	8	0414045	SCREW, 1/4-20 X 7/8" HEX HD CAP
23	4	0414282	SCREW, 3/8-16 X 3/4" HEX HD CAP
24	1	0416040	SCREW, 1/4-20 X 1-1/4" SOC HD LESS SET
25	1	0416059	SCREW, 3/8-16 X 3/8" SOC HD LESS SET
26	1	0416084	SCREW, 1/4-20 X 1/2" SQ HD SET
27	1	0416109	SCREW, 5/16-18 X 1/2" SQ HD SET
28	4	0418177	LOCKWASHER, 3/8 MED SECT
29	2	0438014	DRAG BRAKE
30	2	0442184	GASKET
31	1	0442205	GASKET
32	2	0450006	KEY, BARTH
33	4	0450016	KEY, BARTH
34	2	0456006	FITTING, LUBE
35	1	0456008	FITTING, RELIEF
36	1	0468002	REDUCER
37	2	0468011	PIPE PLUG
38	1	0472013	PLASTIC PLUG
39	1	0486009	OIL SEAL
40	4	0486017	OIL SEAL
41	1	0494001	SPRING, POPPET
42	2	0494002	SPRING
43	1	0518014	THRUST WASHER
44	2	0518015	THRUST WASHER

# Section VI - PARTS (cont'd)

## H-400 HYDRAULIC WINCH



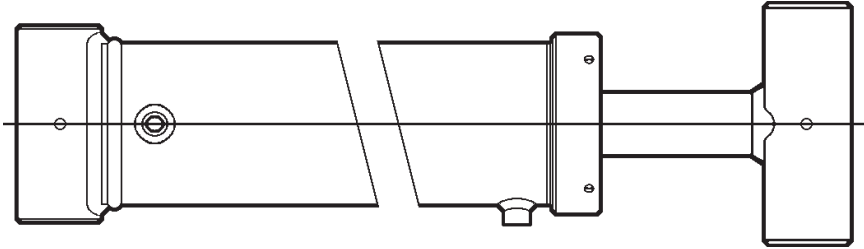
## Section VI - PARTS (cont'd)

### H-400 WINCH ASSEMBLY

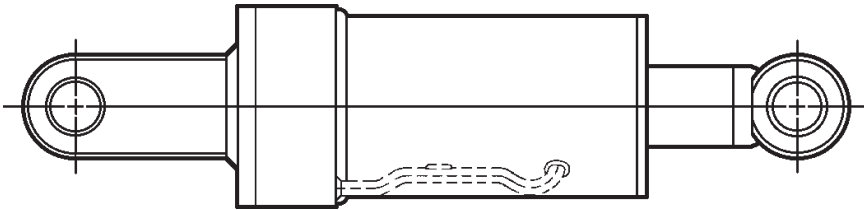
REF. NO.	NO. REQ'D	PART NUMBER	DESCRIPTION
1	1	300062	ADAPTER
2	1	308046	BUSHING
3	2	308048	BUSHING
4	1	316004	CAP
5	1	324102	CLUTCH, JAW
6	1	328010	COVER
7	2	330010	SHOE, DRAG BRAKE
8	1	332139	DRUM, 400
9	1	334016	GEAR, RH
10	1	338009	HOUSING, CLUTCH
11	1	338010	HOUSING, GEAR
12	1	342024	KEY, SQ END
13	1	342032	KEY, SQ END
14	2	342102	KEY, RD END
15	2	342123	KEY, RD END
16	1	356702	SHAFT, DRUM 400
17	1	356902	SHAFT, SHIFTER
18	1	358052	SHIFTER HANDLE
19	1	362007	SPACER, DRUM
20	1	368183	WORM, RH
21	1	370003	YOKE
22	1	400003	BALL, POPPET
23	1	402044	BEARING, BALL
24	1	402107	BEARING, THRUST
25	1	412005	BUSHING
26	1	412006	BUSHING
27	6	414139	SCREW, 5/16-18 X 1-1/4" HEX HD CAP
28	8	414140	SCREW, 5/16-18 X 3/4" HEX HD CAP
29	6	414887	SCREW, 5/16-18 X 1" SOC HD LOK-WEL
30	1	414971	SCREW, POPPET 1/2-20 HD-LESS DR SLOT
31	1	416059	SCREW, 3/8-16 X 1/2" SQ HD SET
32	1	416109	SCREW, 5/16-18 X 1/2" SQ HD SET
33	1	416112	SCREW, 5/16-18 X 3/4" SQ HD SET
34	6	418163	LOCKWASHER, 5/16 MED SECT
35	2	442182	GASKET
36	1	442183	GASKET
37	3	456006	FITTING, LUBE
38	1	456008	FITTING, RELIEF
39	2	462003	QUAD RING
40	1	468002	REDUCER
41	1	468010	PIPE PLUG
42	1	468011	PIPE PLUG
43	1	486079	SEAL, PILOT
44	1	494005	SPRING
45	2	494088	SPRING
46	2	494089	SPRING
47	2	518026	WASHER, THRUST
48	2	530094	SPACER, BRAKE DISC

# Section VI - PARTS (cont'd)

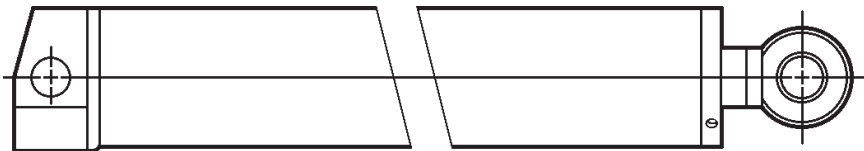
## HYDRAULIC CYLINDERS - WHEEL LIFT



REF. NO.	NO. REQ'D	PART NUMBER	DESCRIPTION
1	1	0303681	WHEEL LIFT LIFT CYLINDER (COMPLETE)
2	1	0304497	SEAL KIT, WHEEL LIFT LIFT CYLINDER



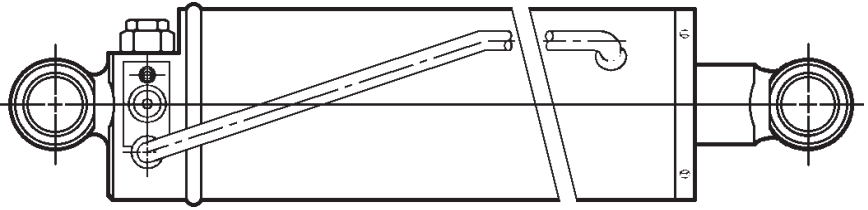
REF. NO.	NO. REQ'D	PART NUMBER	DESCRIPTION
1	1	0303256	WHEEL LIFT TILT CYLINDER, LT (COMPLETE)
2	1	0303257	WHEEL LIFT TILT CYLINDER, RT (COMPLETE)
3	2	0304526	SEAL KIT, WHEEL LIFT TILT CYLINDER



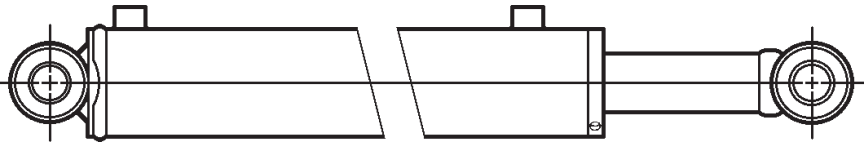
REF. NO.	NO. REQ'D	PART NUMBER	DESCRIPTION
1	1	0303065	WHEEL LIFT LIFT CYLINDER (COMPLETE)
2	1	0304506	SEAL KIT, WHEEL LIFT LIFT CYLINDER

# Section VI - PARTS (cont'd)

## HYDRAULIC CYLINDERS - WRECKER



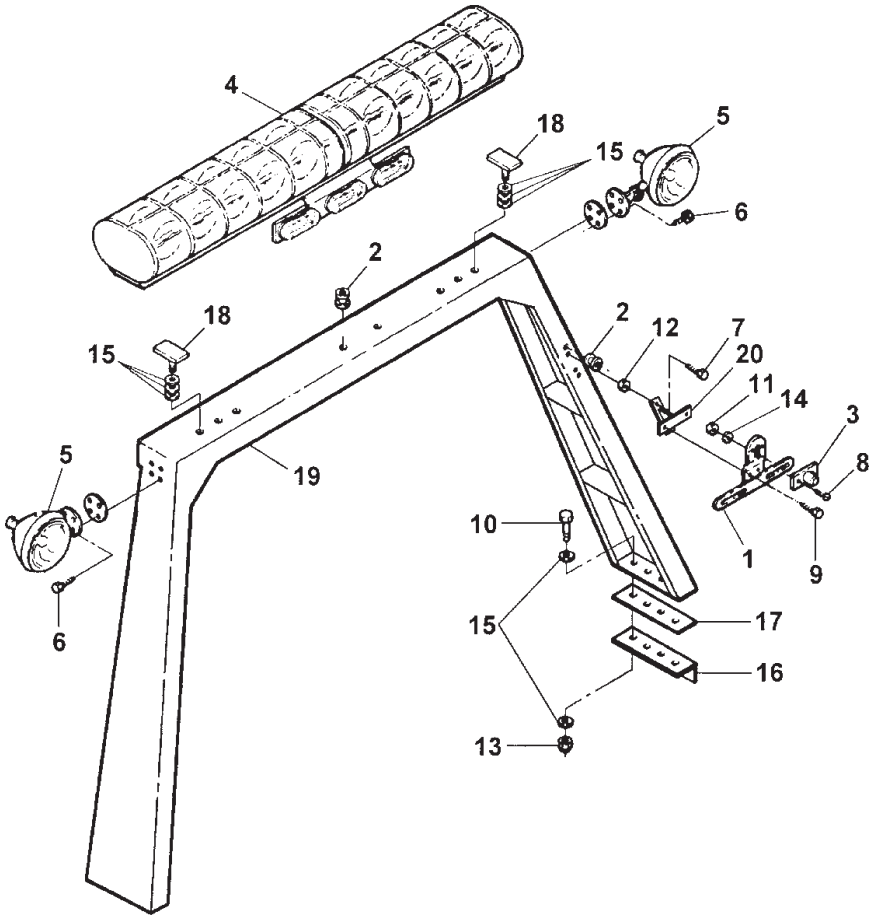
REF. NO.	NO. REQ'D	PART NUMBER	DESCRIPTION
1	1	0302357	BOOM ELEVATION CYLINDER (COMPLETE)
2	1	--	SEAL KIT, BOOM ELEVATION CYLINDER



REF. NO.	NO. REQ'D	PART NUMBER	DESCRIPTION
1	1	0301755	BOOM EXTEND CYLINDER (COMPLETE)
2	1	0300624	SEAL KIT, BOOM EXTEND CYLINDER

# Section VI - PARTS (cont'd)

## LIGHTING ACCESSORIES - DECK MOUNT





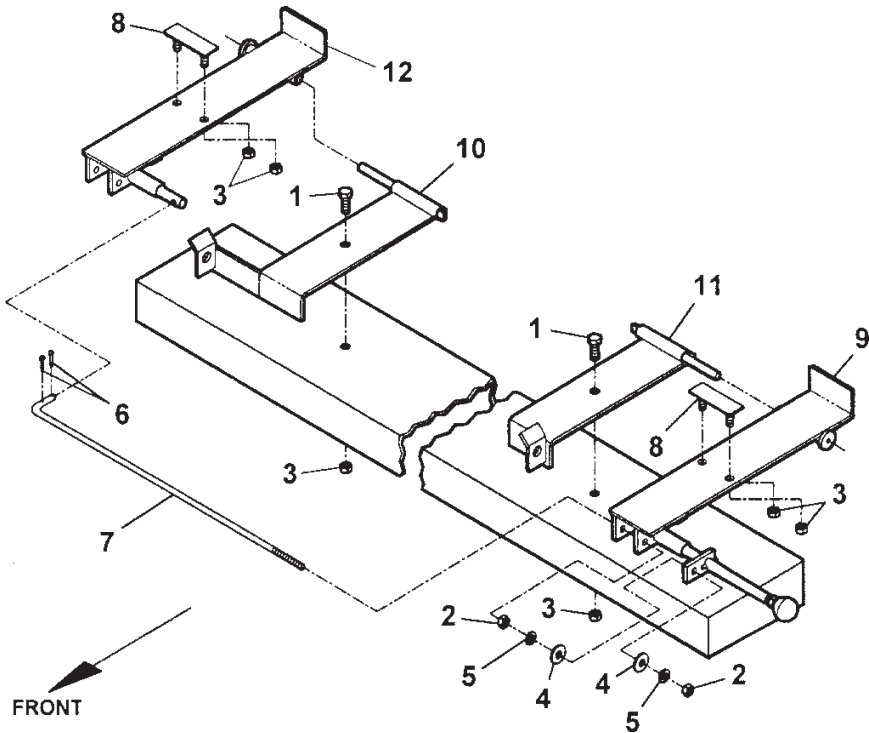
## Section VI - PARTS (cont'd)

### LIGHTING ACCESSORIES - DECK MOUNT

REF. NO.	NO. REQ'D	PART NUMBER	DESCRIPTION
1	1	0300076	LICENSE PLATE HOLDER
2	2	0300117	RUBBER GROMMET
3	1	0300273	LICENSE PLATE ILLUMINATOR
4	1	0301359	WRECKER SPECIAL LIGHT
5	2	0302158	SPOTLIGHT W/GASKET
6	8	0400039	SCREW, #10-32 X 3/4" SELF-TAPPING
7	2	0400057	SCREW, 1/4"-20 X 1-1/2" HEX HD CAP
8	2	0400061	SCREW, 1/4"-20 X 3/4" PAN HD
9	2	0400062	SCREW, 1/4"-20 X 3/4" HEX HD THD CUT
10	8	0400132	SCREW, 3/8"-16 X 1-1/2" HEX HD CAP
11	2	0400366	NUT, 1/4"-20 HEX
12	2	0400367	NUT, 1/4"-20 HEX NYLOK
13	8	0400392	NUT, 3/8"-16 HEX NYLOK
14	2	0400452	LOCKWASHER, 1/4"
15	22	0400480	WASHER, 3/8" FLAT
16	2	0710028	ANGLE, PYLON BASE REINFORCING
17	2	0710029	GASKET, PYLON BASE - 22" PYLON
	--	0710030	GASKET, PYLON BASE - 26" PYLON
	--	0710031	GASKET, PYLON BASE - 29" PYLON
	--	0710032	GASKET, PYLON BASE - 33" PYLON
	--	0710033	GASKET, PYLON BASE - 36" PYLON
	--	0710034	GASKET, PYLON BASE - 40" PYLON
	--	0710035	GASKET, PYLON BASE - 42" PYLON
	--	0710036	GASKET, PYLON BASE - 45" PYLON
18	2	0801777	"T" BOLT ADAPTER
19	1	0802831	LIGHT MOUNTING PYLON - 22"
	--	0802832	LIGHT MOUNTING PYLON - 26"
	--	0802833	LIGHT MOUNTING PYLON - 29"
	--	0802834	LIGHT MOUNTING PYLON - 33"
	--	0802835	LIGHT MOUNTING PYLON - 36"
	--	0802836	LIGHT MOUNTING PYLON - 40"
	--	0802837	LIGHT MOUNTING PYLON - 42"
	--	0802838	LIGHT MOUNTING PYLON - 45"
20	1	0802885	BRACKET, LICENSE PLATE MOUNTING

# Section VI - PARTS (cont'd)

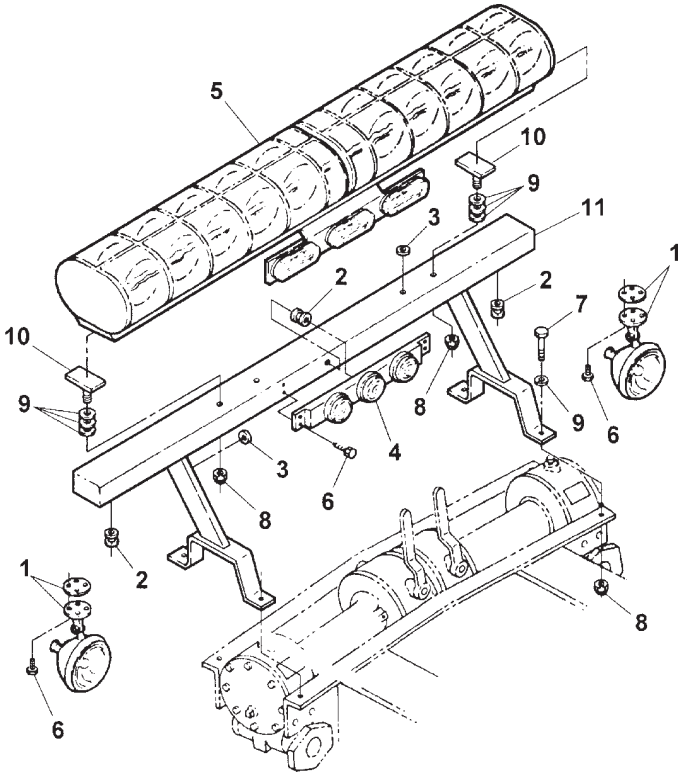
## FOLD DOWN LIGHT BRACKET (PYLON)



REF. NO.	NO. REQ'D	PART NUMBER	DESCRIPTION
1	2	0400126	SCREW, 3/8"-16 X 1" HEX HD CAP
2	2	0400381	NUT, 5/16"-18 HEX
3	6	0400392	NUT, 3/8"-16 NYLOK HEX
4	2	0400463	WASHER, 5/16" FLAT
5	2	0400464	LOCKWASHER, 5/16" HELICAL
6	2	0400543	PIN, 1/8" X 3/4" COTTER
7	2	0703886	ROD, CONNECTING
8	1	0801120	TEE BOLT - FOLD DOWN LIGHT BRACKET
9	1	0903130	L.H. TOP HINGE ASSEMBLY
10	1	0903131	R.H. BOTTOM HINGE ASSEMBLY
11	1	0903132	L.H. BOTTOM HINGE ASSEMBLY
12	1	0903133	R.H. TOP HINGE ASSEMBLY

# Section VI - PARTS (cont'd)

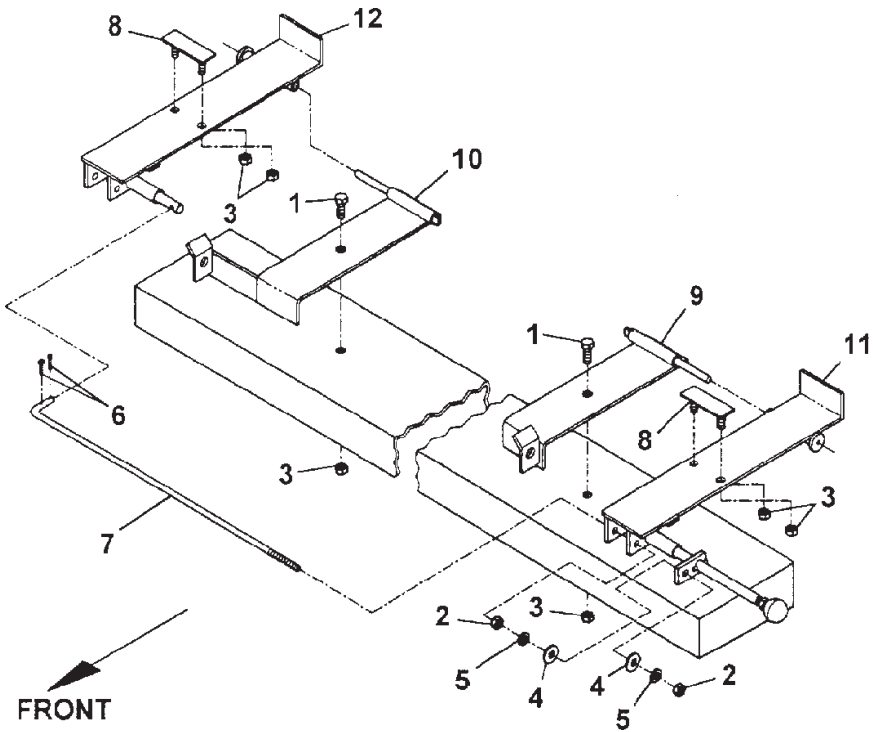
## LIGHTING ACCESSORIES - WINCH MOUNT



REF. NO.	NO. REQ'D	PART NUMBER	DESCRIPTION
1	2	0300095	SPOTLIGHT W/GASKET
2	3	0300117	RUBBER GROMMET
3	2	0300122	GROMMET, SPLIT PLASTIC
4	1	0300442	3 BAR LIGHT
5	1	0301359	WRECKER SPECIAL LIGHT
6	12	0400027	SCREW, #8-32 X 5/8" SELF-TAPPING
7	4	0400122	SCREW, 3/8"-16 X 1-1/4" HEX HD CAP
8	6	0400392	NUT, 3/8"-16 NYLOK HEX
9	10	0400480	WASHER, 3/8" FLAT
10	2	0800539	"T" BOLT ADAPTER
11	1	0801110	LIGHT BAR, WINCH MOUNT

# Section VI - PARTS (cont'd)

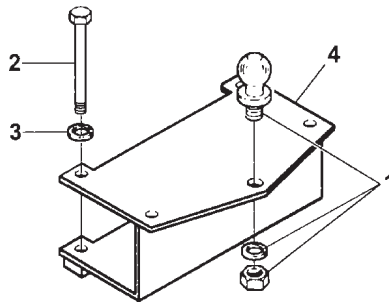
## FOLD DOWN LIGHT BRACKET (WINCH MOUNTED LIGHT BAR)



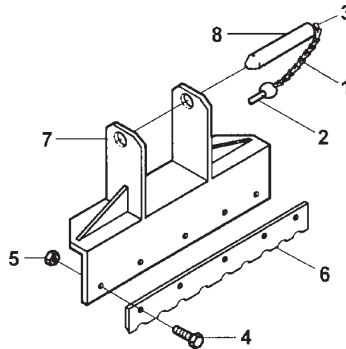
REF. NO.	NO. REQ'D	PART NUMBER	DESCRIPTION
1	2	0400126	SCREW, 3/8"-16 X 1" HEX HD CAP
2	2	0400381	NUT, 5/16"-18 HEX
3	6	0400392	NUT, 3/8"-16 NYLOK HEX
4	2	0400463	WASHER, 5/16" FLAT
5	2	0400464	LOCKWASHER, 5/16" HELICAL
6	2	0400543	PIN, 1/8" X 3/4" COTTER
7	1	0703886	ROD, CONNECTING
8	1	0801120	TEE BOLT - FOLD DOWN LIGHT BRACKET
9	2	0900985	L.H. BOTTOM HINGE ASSEMBLY
10	1	0900986	R.H. BOTTOM HINGE ASSEMBLY
11	1	0900987	L.H. TOP HINGE ASSEMBLY
12	1	0900988	R.H. TOP HINGE ASSEMBLY

## Section VI - PARTS (cont'd)

### WHEEL LIFT ATTACHMENTS



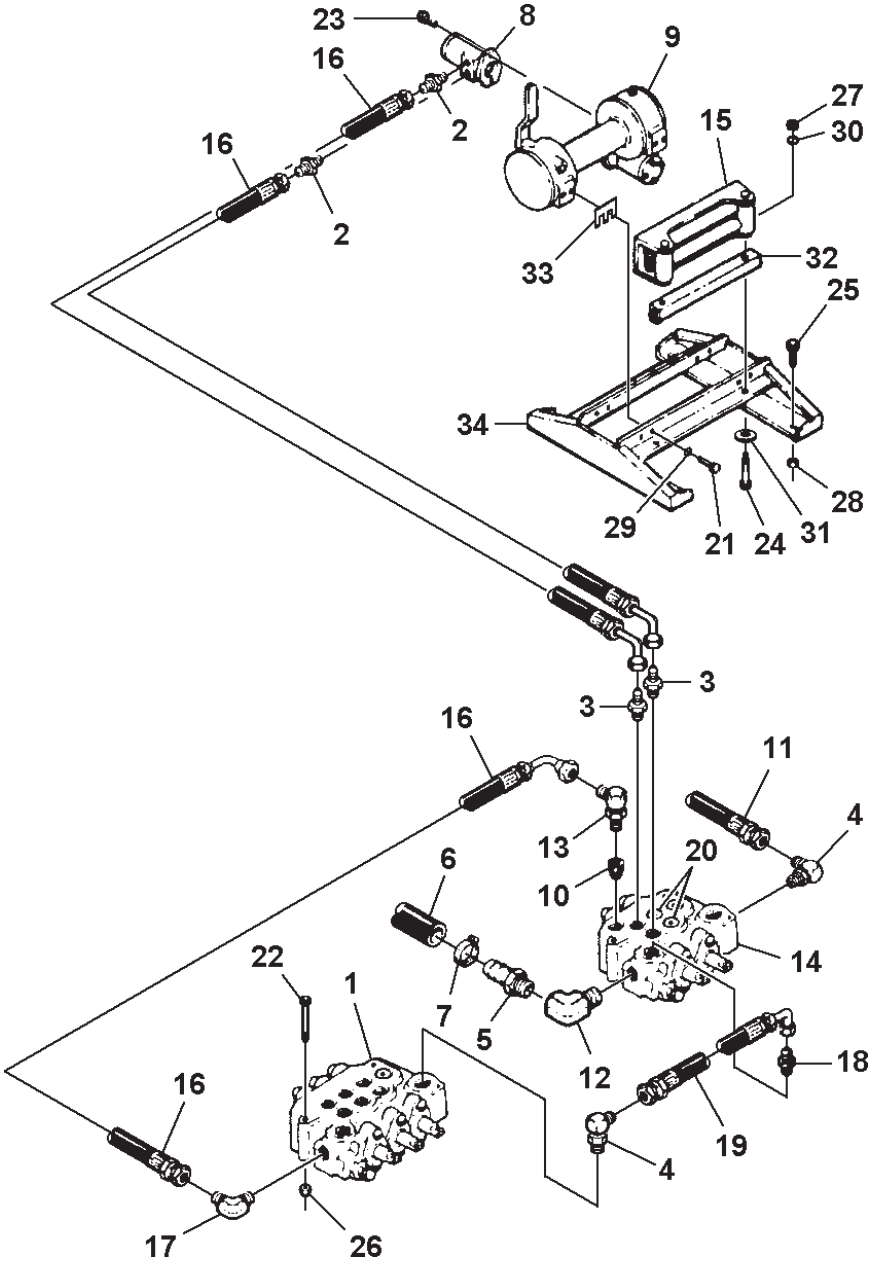
REF. NO.	NO. REQ'D	PART NUMBER	DESCRIPTION
1	1	0300091	BALL, TRAILER, 2" CHROME
2	1	0400398	SCREW, 5/8"-11 X 6" HEX HD CAP
3	1	0400508	LOCKWASHER, 5/8" HELICAL
4	1	0803002	TOWBALL BRACKET



REF. NO.	NO. REQ'D	PART NUMBER	DESCRIPTION
1	1 FT.	0300360	CHAIN, SASH #45
2	1	0301861	QUICK PIN - B7931
3	1	0400044	SCREW, #10 X 1/2" RD HD DRIVE
4	5	0400181	SCREW, 1/2"-13 X 1-1/2" HEX HD CAP
5	1	0400408	NUT 1/2"-13 NYLOK
6	1	0703459	OUTRIGGER BLADE
7	1	0802823	SPADE ATTACHMENT
8	1	0902543	SPADE PIN ASSEMBLY

# Section VI - PARTS (cont'd)

## FORMULA 6500 - DRAG WINCH



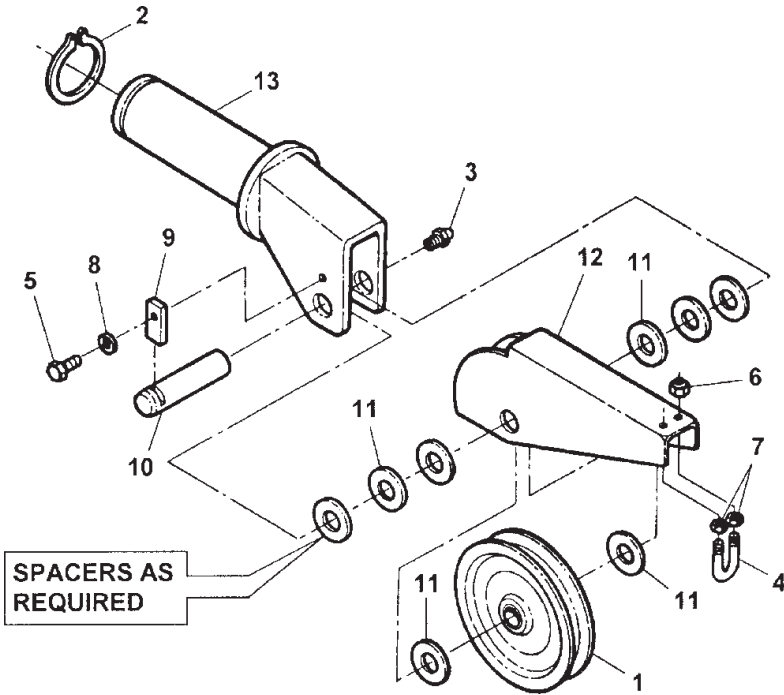
## Section VI - PARTS (cont'd)

### FORMULA 6500 - DRAG WINCH

REF. NO.	NO. REQ'D	PART NUMBER	DESCRIPTION
1	REF.	0300010	VALVE, 3-SPOOL CONTROL
2	2	0300040	CONNECTOR, 8MJ-8MP
3	2	0300041	CONNECTOR, 8MJ-8MB
4	2	0300052	ELBOW, 8MJ-10MB90
5	1	0300055	HOSE BARB, 12C4-12MP
6	1	0300057	RETURN HOSE, 3/4" ID X 48"
7	1	0300071	CLAMP, HOSE 1"
8	1	0300090	MOTOR, HYDRAULIC
9	1	0300251	WINCH, HLC-246 LEFT REAR
10	1	0300286	ADAPTER, H.P.C.O.
11	1	0300660	HIGH PRESSURE HOSE ASSEMBLY, 120"
12	1	0301375	ELBOW, 12MB-12FP90
13	1	0301388	ELBOW, 8MJ-8MB90
14	1	0301415	VALVE, 2-SPOOL CONTROL
15	1	0301444	CABLE TENSIONER, DRAGLINE
16	3	0301471	HOSE ASSEMBLY, 30"
17	1	0301547	ELBOW, 8MJ-12MB90
18	1	0301780	CONNECTOR, 8MJ-12MB
19	1	0301790	HOSE ASSEMBLY, 15"
20	2	0302031	HOLE PLUG
21	6	0400122	SCREW, 3/8"-16 X 1-1/4" HEX HD CAP
22	6	0400140	SCREW, 3/8"-16 X 4" HEX HD CAP
23	2	0400196	SCREW, 1/2"-13 X 1-1/4" SOCKET HD CAP
24	2	0400197	SCREW, 1/2"-13 X 2-3/4" HEX HD CAP
25	4	0400260	SCREW, 5/8"-11 X 2" HEX HD CAP
26	6	0400392	NUT, 3/8"-16 NYLOK HEX
27	2	0400407	NUT, 1/2"-13 HEX
28	4	0400421	NUT, 5/8"-11 NYLOK HEX
29	8	0400482	LOCKWASHER, 3/8" HELICAL
30	2	0400491	LOCKWASHER, 1/2" HELICAL
31	2	0400492	WASHER, 1/2" FLAT
32	1	0701756	SPACER TUBE
33	2	0706668	SHIM, WINCH MOUNTING
34	1	0801029	FRAME, DRAG WINCH

# Section VI - PARTS (cont'd)

## BOOM END SWIVEL ASSEMBLY

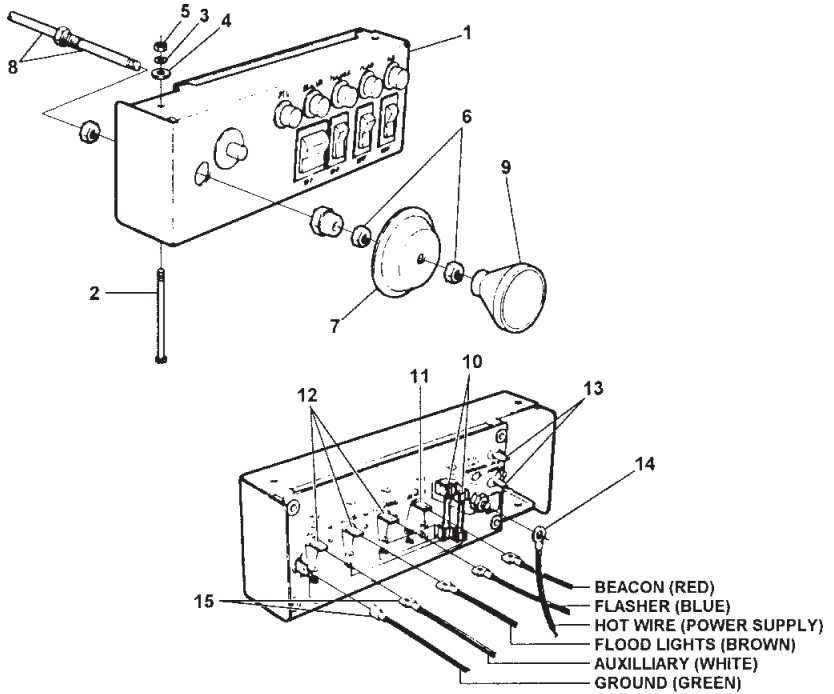


REF. NO.	NO. REQ'D	PART NUMBER	DESCRIPTION
1	1	0300108	SNAP RING, 2-1/2" DIA. EXT.
2	1	0300022	SHEAVE, 6"
3	1	0300113	GREASE FITTING
4	1	0301531	"U" BOLT, 3/8"
5	1	0400060	SCREW, 1/4"-20 X 1/2" HEX HD CAP
6	1	0400392	NUT, 3/8"-16 NYLOK HEX
7	2	0400393	NUT, 3/8"-16 HEX JAM
8	2	0400452	LOCKWASHER, 1/4" HELICAL
9	1	0712974	SHAFT RETAINER
10	1	0700056	SHAFT
11	--	0700166	WASHER-SPACER
12	1	0702285	CABLE GUIDE
13	1	0803650	BOOM END SWIVEL



## Section VI - PARTS (cont'd)

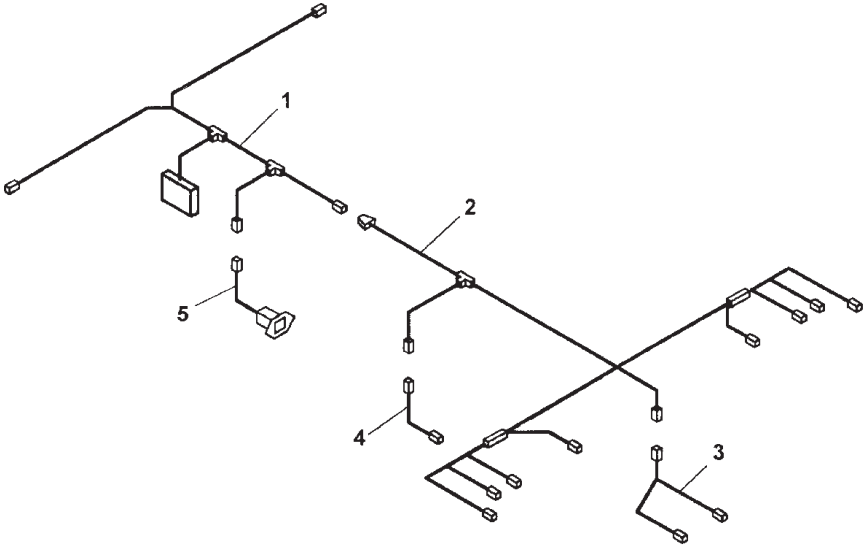
### OPTIONAL PTO PANEL



REF. NO.	NO. REQ'D	PART NUMBER	DESCRIPTION
1	1	0304155	SWITCH PANEL HOUSING
2	2	0304156	SCREW, #10-32 X 3-3/8", MTG
3	2	0304157	LOCKWASHER, #10 EXT TOOTH
4	2	0304158	WASHER, #10 FLAT
5	2	0304166	NUT, 10-32
6	2	0304160	JAM NUT
7	1	0304161	ACTUATOR DISK
8	1	--	PTO CABLE, 14 FT (*SPECIFY MAKE & MODEL OF TRUCK)
9	1	0304163	PTO KNOB
10	2	0304418	FUSE, 30 AMP
11	1	0304434	SWITCH, LARGE ROCKER
12	2	0304433	SWITCH, SMALL ROCKER
13	1	0304164	PTO LIGHT SWITCH
14	1	0301503	RING CONNECTOR
15	3	0304165	SPADE CONNECTOR

# Section VI - PARTS (cont'd)

## WIRING KIT



REF. NO.	NO. REQ'D	PART NUMBER	DESCRIPTION
1	1	0303110	FRONT HARNESS & JUNCTION BOX
2	1	0303111	REAR HARNESS
3	1	0303112	WORK LIGHT HARNESS
4	1	0303153	BACK UP ALARM HARNESS
5	1	0301671	4 POLE SOCKET & HARNESS



**CENTURY®**

Miller Industries Towing Equipment Inc.

8503 Hilltop Drive • Ooltewah, Tennessee 37363 • (423) 238-4171

[www.millerind.com](http://www.millerind.com)