

CHEVRON



OWNER'S MANUAL

GENERATION II SERIES 10

INSTALLATION, OPERATION, MAINTENANCE & PARTS

**NOTE: MANUAL including SPECIFICATIONS, subject to change without notice.
All ratings specified are based on structural factors only,
not vehicle capacities or capabilities.**

CHEVRON

Carriers & Wreckers
7320 W. Market Street
Mercer, PA 16137
Phone (724) 981-7500
Toll Free (800) 886-6400
<http://www.chevroninc.com>

**PN. O540043
02/15**

Section V - PARTS

This Section is provided by the manufacturer for the purpose of ordering any component part of the **Series 10 GEN II Carrier** that may be required when part replacement is necessary. Be certain to use only original equipment replacement parts for warranty purposes as well as for keeping your **Series 10 GEN II Carrier** in its original state and optimum operating capacities.

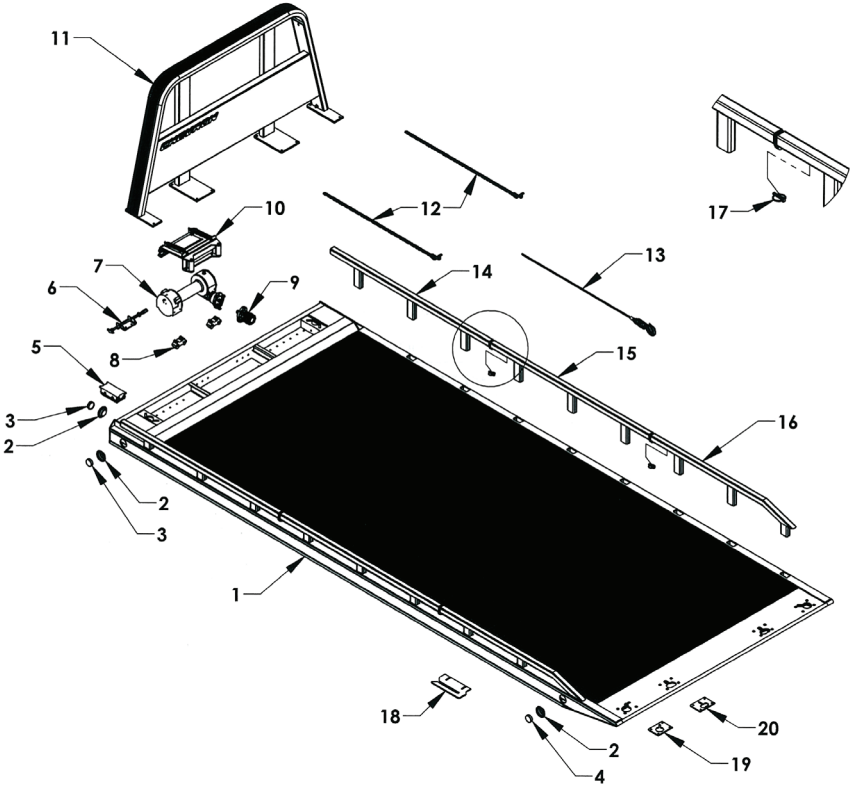
When ordering replacement or spare parts be sure to provide the following information to your carrier manufacturer authorized representative.

1. **Manual Number & Date of Publication**
2. **Manual Page Number**
3. **Page Title**
4. **Reference Number of Part Desired**
5. **Part Number**
6. **Part Description**
7. **Quantity of Part Desired**

Providing this information will help ensure that the correct parts will be delivered to you in an expedient manner without delay. Should additional information be required for repair or replacement of certain components, contact your **MILLER INDUSTRIES CHEVRON DISTRIBUTOR**.

The Manufacturer reserves the right, without notice or obligation, to improve or modify their products, which may change the specifications, models and feature availability.

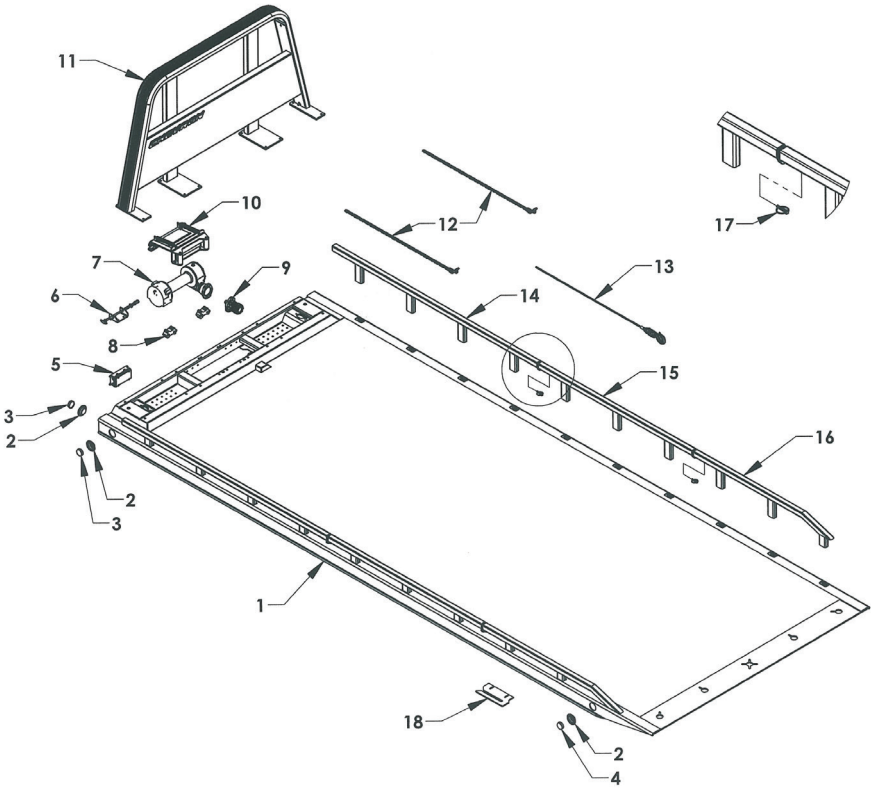
Section V - PARTS
ALUMINUM BED ASSEMBLY
GEN 2 SERIES 10



Section V - PARTS
ALUMINUM BED ASSEMBLY GEN II
REMOVABLE RAIL

REF. NO.	NO. REQ'D	PART NUMBER	DESCRIPTION
1	1	30187102CXXX	SERIES 10 G2 AL BED WELDMENT
2	6	0311516	2-1/2" MARKER LIGHT GROMMET
3	4	0311513	2-1/2" AMBER MARKER LIGHT
4	2	0311512	2-1/2" RED MARKER LIGHT
5	1	98710	10 POST JUNCTION BOX
6	1	71810G	MANUAL WINCH CLUTCH GROUP
7	1	71104	RAMSEY 8000 LB WORM GEAR WINCH
8	2	31A05	RAMSEY WINCH ADAPTER BLOCK
9	1	71901	RAMSEY WINCH MOTOR
10	1	A90140G	RAMSEY ROLLER GUIDE ASSEMBLY
11	1	35A0XX	CAB PROTECTOR
12	2	0302493	FRONT SAFETY CHAIN ASSEMBLY 5/16 x 8'
13	1	0301669	WINCH CABLE ASSEMBLY
14	2	34460XXF	REMOVABLE TUBE RAIL FRONT (SEE CHART)
15	2	346071M	REMOVABLE TUBE RAIL 3 POST MIDDLE
16	2	3406064	REMOVABLE TUBE RAIL REAR
17	4	84712	LYNCH PIN 7/16 x 1-15/16
18	1	33813	ANTI-TILT PLATE
19	2	34520	ALUMINUM APPROACH PLATE CHAIN LOCK
20	2	34521	ALUMINUM APPROACH PLATE CHAIN LOCK

Section V - PARTS
STEEL BED ASSEMBLY GEN II
REMOVABLE TUBE RAIL

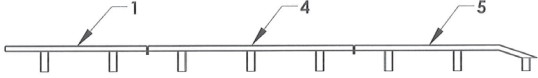
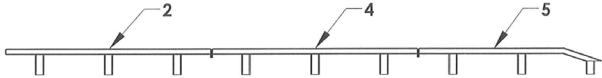



Section V - PARTS**STEEL BED ASSEMBLY GEN II
REMOVABLE TUBE RAIL**

REF. NO.	NO. REQ'D	PART NUMBER	DESCRIPTION
1	1	30287102XXX	SERIES 10 G2 ST BED WELDMENT
2	6	0311516	2-1/2" MARKER LIGHT GROMMET
3	4	0311513	2-1/2" AMBER MARKER LIGHT
4	2	0311512	2-1/2" RED MARKER LIGHT
5	2	98710	10 POST JUNCTION BOX
6	1	718102G	MANUAL WINCH CLUTCH GROUP
7	1	71104	RAMSEY 8000 LB. WORM GEAR WINCH
8	2	31A05	RAMSEY WINCH ADAPTOR BLOCK
9	1	71901	RAMSEY WINCH MOTOR
10	1	A90140G	RAMSEY ROLLER GUIDE ASSEMBLY
11	1	35A0XX	CAB PROTECTOR
12	2	0302493	FRONT SAFETY CHAIN ASSEMBLY 5/16 X 8'
13	1	0301669	WINCH CABLE ASSEMBLY
14	2	34460XXF	REMOVABLE TUBE RAIL FRONT (SEE CHART)
15	2	346071M	REMOVABLE TUBE RAIL 3 POST MIDDLE
16	2	3406064	REMOVABLE TUBE RAIL REAR
17	4	84712	LYNCH PIN 7/16 x 1-15/16
18	1	33813	ANTI-TILT PLATE

Section V - PARTS

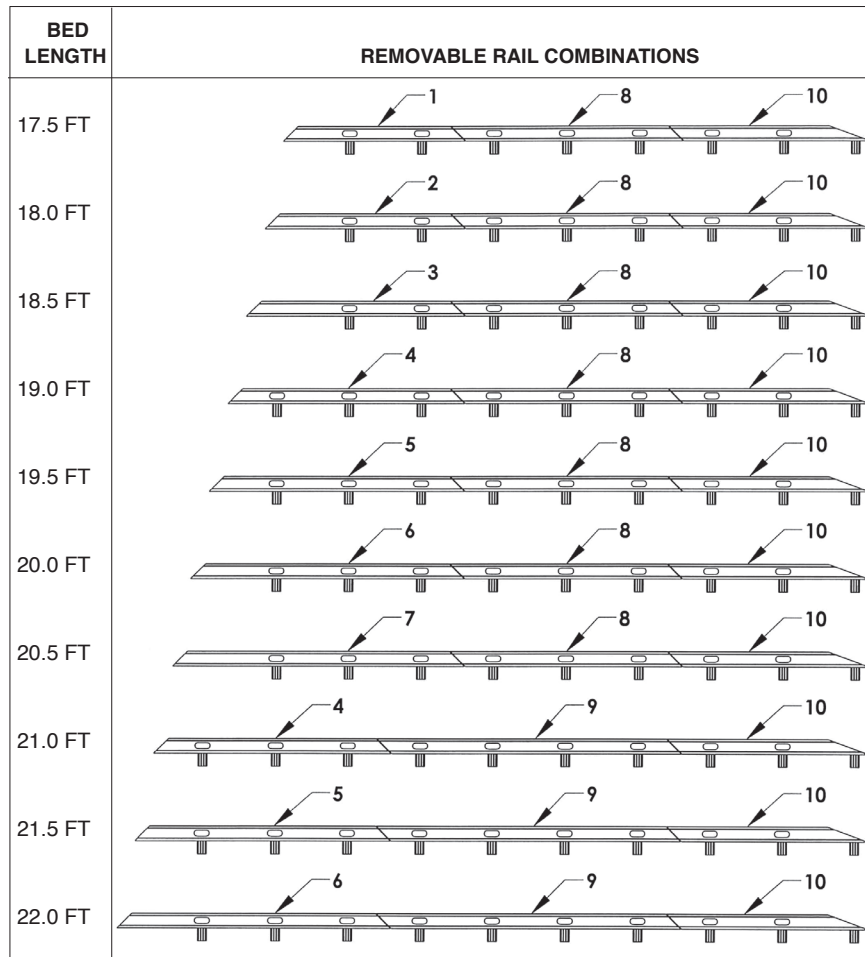
REMOVABLE TUBE SIDE RAILS

BED LENGTH	REMOVABLE RAIL COMBINATIONS
17.5 TO 18.5 FT	
19 TO 20.5 FT	
21 TO 22 FT	

REF	PART #	DESCRIPTION	QPU
1	346049F	FRONT REMOVABLE TUBE RAIL - 2 POST	SEE CHART
2	346071F	FRONT REMOVABLE TUBE RAIL - 3 POST	SEE CHART
3	346095F	FRONT REMOVABLE TUBE RAIL - 4 POST	SEE CHART
4	346071M	MIDDLE REMOVABLE TUBE RAIL - 3 POST	SEE CHART
5	346064	REAR REMOVABLE TUBE RAIL - 3 POST	SEE CHART

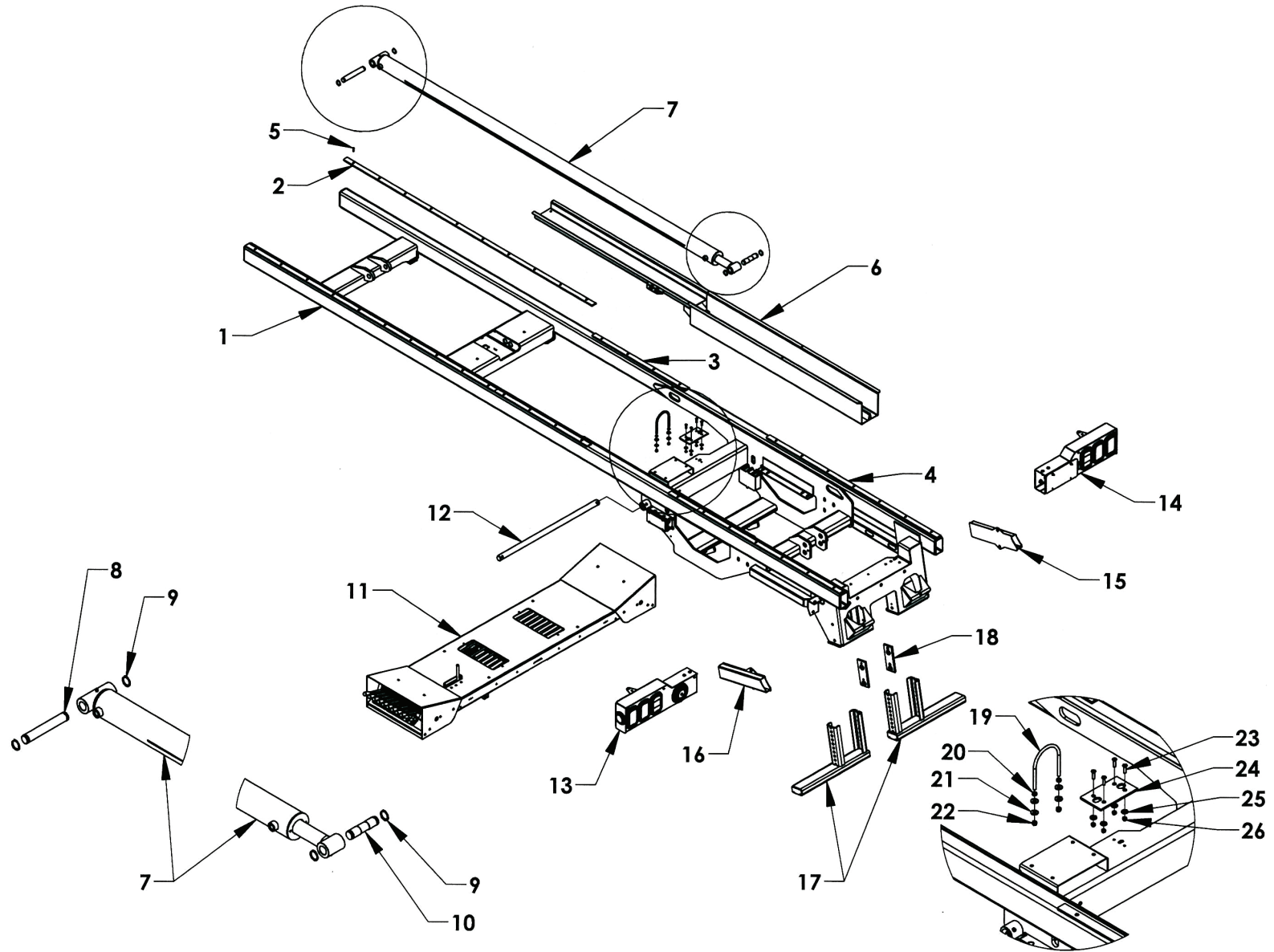
Section V - PARTS

REMOVABLE BLADE SIDE RAILS



REF	PART #	DESCRIPTION	QPU
1	34B060FL	FRONT REMOVABLE BLADE RAIL - 2 POST	SEE CHART
2	34B066FL	FRONT REMOVABLE BLADE RAIL - 2 POST	SEE CHART
3	34B072FL	FRONT REMOVABLE BLADE RAIL - 2 POST	SEE CHART
4	34B078FL	FRONT REMOVABLE BLADE RAIL - 3 POST	SEE CHART
5	34B084FL	FRONT REMOVABLE BLADE RAIL - 3 POST	SEE CHART
6	34B090FL	FRONT REMOVABLE BLADE RAIL - 3 POST	SEE CHART
7	34B096FL	FRONT REMOVABLE BLADE RAIL - 3 POST	SEE CHART
8	34B072ML	MIDDLE REMOVABLE BLADE RAIL - 3 POST	SEE CHART
9	34B096ML	MIDDLE REMOVABLE BLADE RAIL - 4 POST	SEE CHART
10	34B064RL	REAR REMOVABLE BLADE RAIL - 3 POST	SEE CHART

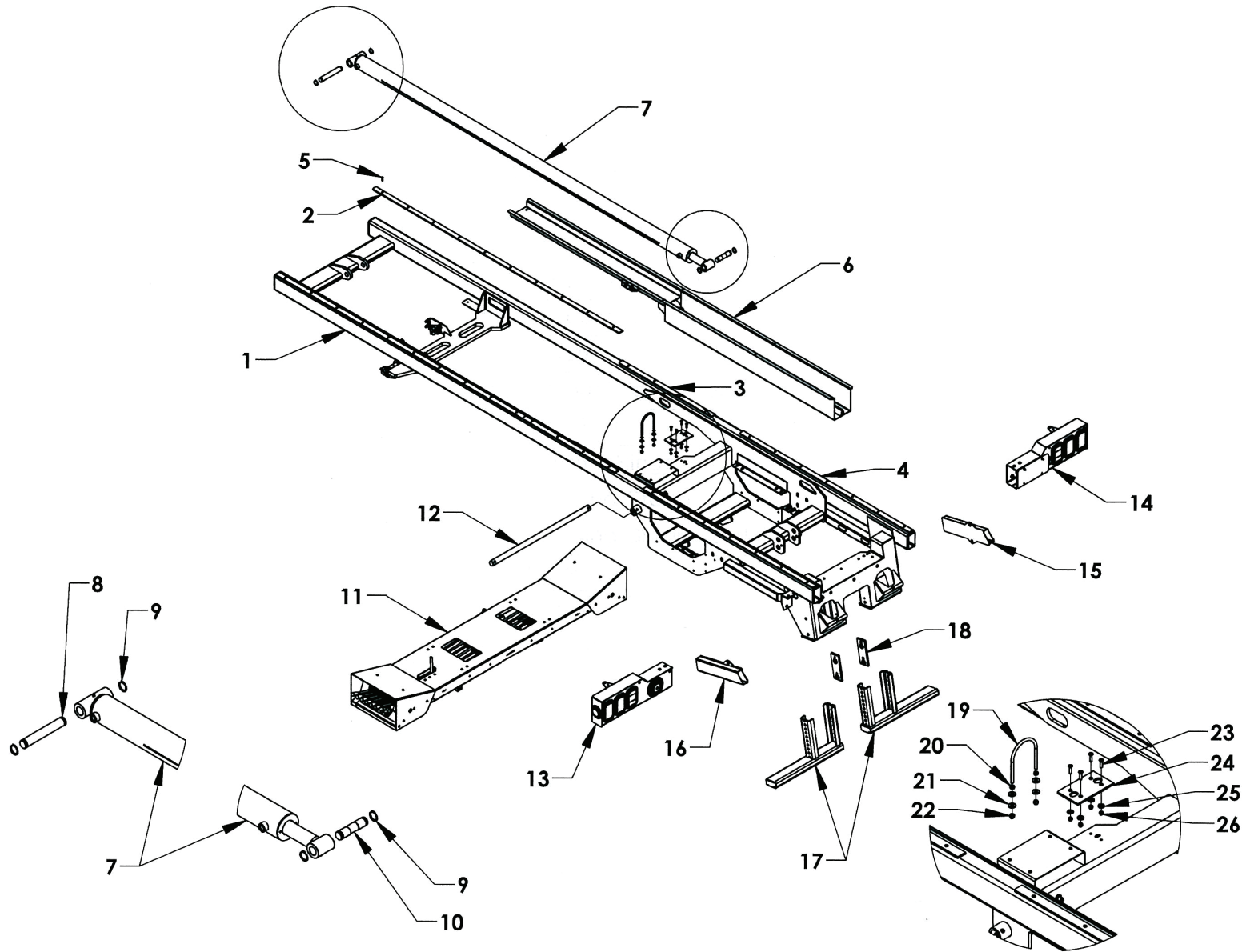
Section V - PARTS
SERIES 10 GEN2 SUBFRAME COMPONENTS
INBOARD TILT CYLINDER



Section V - PARTS
SERIES 10 GEN 2 SUBFRAME COMPONENTS
INBOARD TILT CYLINDER

REF NO.	NO REQ'D	PART NUMBER	DESCRIPTION
1	1	0809962	SERIES 10 G2 SUBFRAME WELDMENT - IB TILT
2	2	0308928-96	SUBFRAME BEARING PAD 5/16 x 1-1/2 x 96
3	2	0308928-36	SUBFRAME BEARING PAD 5/16 x 1-1/2 x 36
4	2	0308928-66	SUBFRAME BEARING PAD 5/16 x 1-1/2 x 66
5	42	81007	BOLT 1/4-20 UNC x 1 - COUNTERSUNK TORX ST
6	1	0809824	DUAL BAY HOSE TRAY
7	1	72A35120	SLIDEBACK CYLINDER 3.5 BORE x 120 STROKE
8	1	13302010	SLIDEBACK CYLINDER MOUNTING PIN 1.230
9	4	86125E	1-1/4 SNAP RING - EXTERNAL
10	1	32117	SLIDEBACK CYLINDER MOUNTING PIN 1.230
11	1	183126	6-SPOOL CONTROL STATION
	1	183129	9-SPOOL CONTROL STATION
12	1	0752164	SERIES 10 GEN2 SUBFRAME HINGE PIN
13	1	0940327L	CHEVRON TAIL LIGHT HOUSING GROUP - LEFT
14	1	0940327R	CHEVRON TAIL LIGHT HOUSING GROUP - RIGHT
15	1	160535R	L-ARM STORAGE TUBE - RIGHT
16	1	160535L	L-ARM STORAGE TUBE - LEFT
17	2	0809188	SERIES 10 EXTENSION STAND
18	2	0750409	STABILIZER WHEEL LIFT GUIDE PAD
19	1	81286	U-BOLT 3/8-16 UNC
20	2	-	HEX NUT 3/8-16 UNC
21	4	-	FLAT WASHER 3/8
22	2	-	NYLON LOCK NUT 3/8-16 UNC
23	4	81121	BOLT 5/16-18 UNC - ALLEN COUNTERSUNK
24	1	0751223	LCG 12/16/20 S/B CYLINDER SUPPORT PAD
25	4	-	FLAT WASHER 5/16
26	4	-	NYLON LOCK NUT 5/16-18 UNC

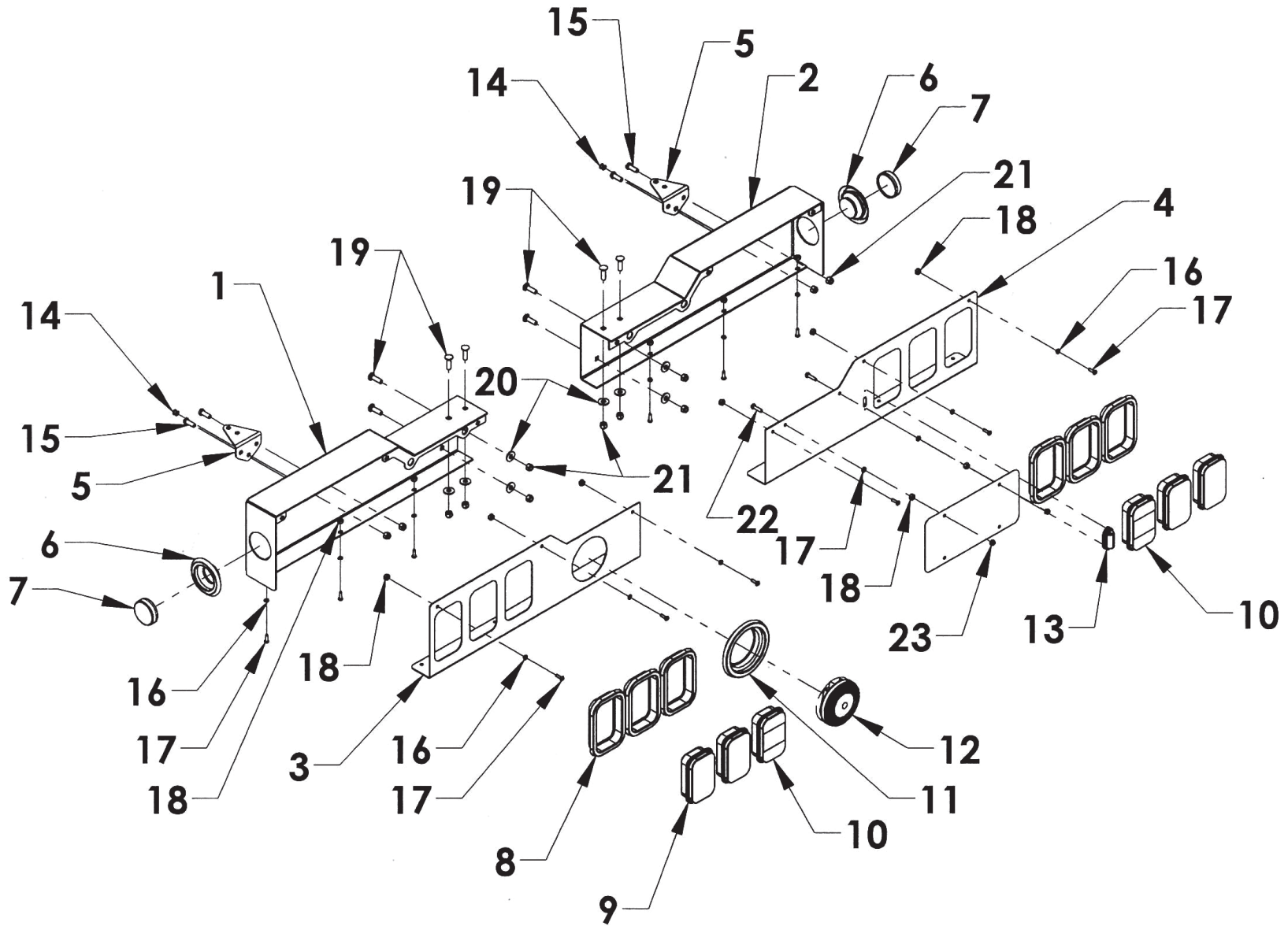
Section V - PARTS
SERIES 10 GEN2 SUBFRAME COMPONENTS
OUTBOARD TILT CYLINDER



Section V - PARTS
SERIES 10 GEN 2 SUBFRAME COMPONENTS
OUTBOARD TILT CYLINDER

REF NO.	NO REQ'D	PART NUMBER	DESCRIPTION
1	1	0809918	SERIES 10 G2 SUBFRAME WELDMENT - OB TILT
2	2	0308928-96	SUBFRAME BEARING PAD 5/16 x 1-1/2 x 96
3	2	0308928-36	SUBFRAME BEARING PAD 5/16 x 1-1/2 x 36
4	2	0308928-66	SUBFRAME BEARING PAD 5/16 x 1-1/2 x 66
5	42	81007	BOLT 1/4-20 UNC x 1 - COUNTERSUNK TORX ST
6	1	0809824	DUAL BAY HOSE TRAY
7	1	72A35120	SLIDEBACK CYLINDER 3.5 BORE x 120 STROKE
8	1	13302010	SLIDEBACK CYLINDER MOUNTING PIN 1.230
9	4	86125E	1-1/4 SNAP RING - EXTERNAL
10	1	32117	SLIDEBACK CYLINDER MOUNTING PIN 1.230
11	1	183126	6-SPOOL CONTROL STATION
	1	183129	9-SPOOL CONTROL STATION
12	1	0752164	SERIES 10 GEN2 SUBFRAME HINGE PIN
13	1	0940327L	CHEVRON TAIL LIGHT HOUSING GROUP - LEFT
14	1	0940327R	CHEVRON TAIL LIGHT HOUSING GROUP - RIGHT
15	1	160535R	L-ARM STORAGE TUBE - RIGHT
16	1	160535L	L-ARM STORAGE TUBE - LEFT
17	2	0809188	SERIES 10 EXTENSION STAND
18	2	0750409	STABILIZER WHEEL LIFT GUIDE PAD
19	1	81286	U-BOLT 3/8-16 UNC
20	2	-	HEX NUT 3/8-16 UNC
21	4	-	FLAT WASHER 3/8
22	2	-	NYLON LOCK NUT 3/8-16 UNC
23	4	81121	BOLT 5/16-18 UNC - ALLEN COUNTERSUNK
24	1	0751223	LCG 12/16/20 S/B CYLINDER SUPPORT PAD
25	4	-	FLAT WASHER 5/16
26	4	-	NYLON LOCK NUT 5/16-18 UNC

Section V - PARTS
TAIL LIGHT COMPONENTS

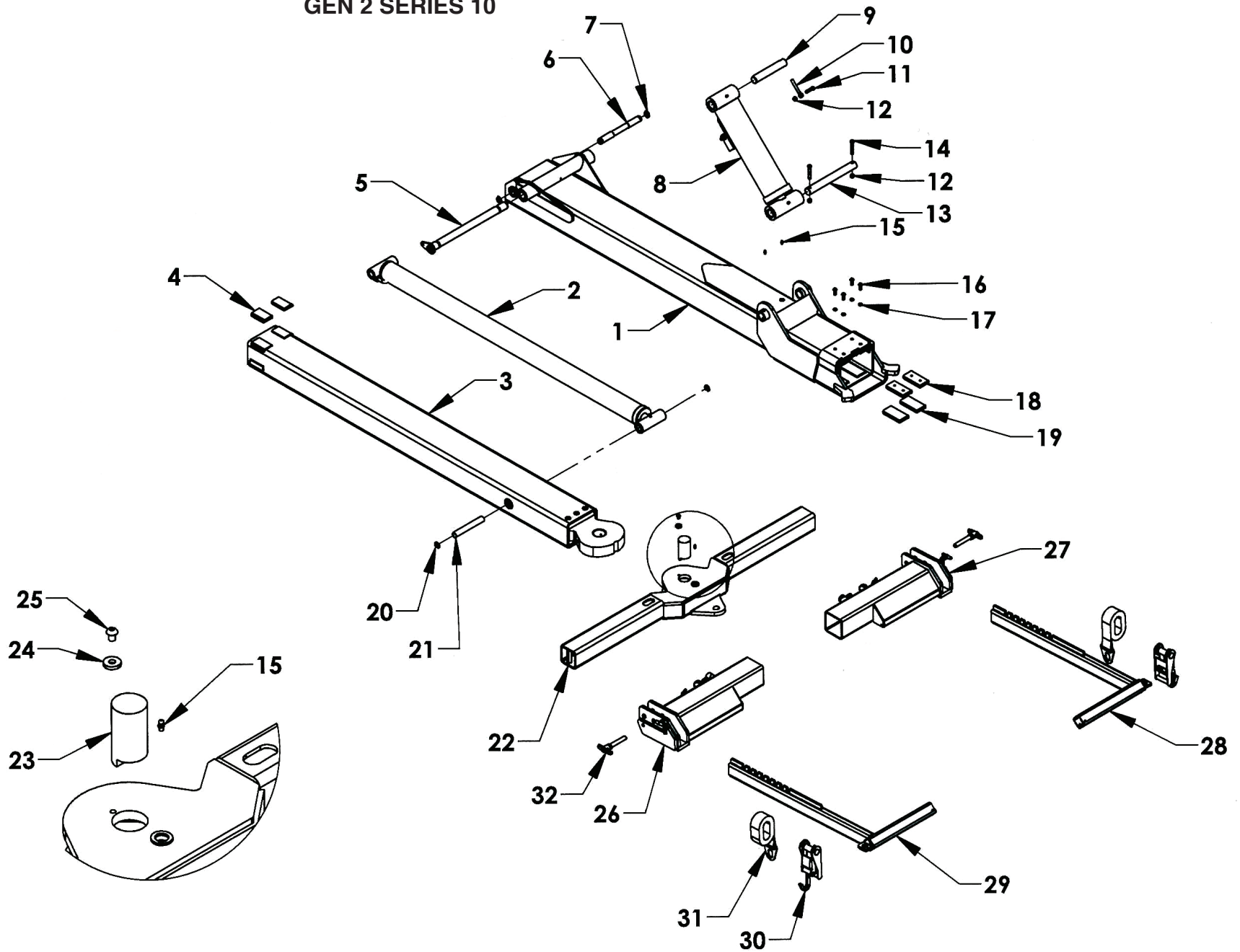


Section V - PARTS
TAIL LIGHT COMPONENTS

REF	PART #	DESCRIPTION	QPU
1	0809517L	TAIL LIGHT HOUSING WELDMENT - LEFT	1
2	0809517R	TAIL LIGHT HOUSING WELDMENT - RIGHT	1
3	196152L	12/16/20 LCG TAIL LIGHT BEZEL - LEFT G2	1
4	19615R	12/16/20 LCG TAIL LIGHT BEZEL - RIGHT G2	1
5	0750672	WORK LIGHT MOUNTING BRACKET	2
6	0311516	2-1/2 IN. MARKER LIGHT GROMMET	2
7	0311512	2-1/2 IN. RED MARKER LIGHT	2
8	0311511	CARRIER TAIL LIGHT GROMMET	6
9	0311507	RECTANGULAR RED LIGHT	4
10	0311510	CARRIER BACK UP LIGHT	2
11	0311528	BACK UP ALARM GROMMET	1
12	0306385	BACK UP ALARM	1
13	0311525	LICENSE PLATE LIGHT	1
14	0306050	TAIL LIGHT WIRE GROMMET	2
15	-	BOLT, HHCS 3/8-16 UNC x 1	4
16	-	LOCK WASHER - 1/4	14
17	-	BOLT, RHMS 1/4-20 UNC x 3/4	12
18	-	HEX NUT 1/4-20 UNC	14
19	-	BOLT, CARRIAGE 3/8-16 UNC x 1-1/4 SS	8
20	-	FLAT WASHER - 3/8	8
21	-	NYLON LOCK NUT 3/8-16 UNC	12
22	-	BOLT, HHCS 1/4-20 UNC x 1	2
23	-	NYLON LOCK NUT 1/4-20 UNC	2

Section V - PARTS

4,000 LB. WHEEL LIFT
GEN 2 SERIES 10



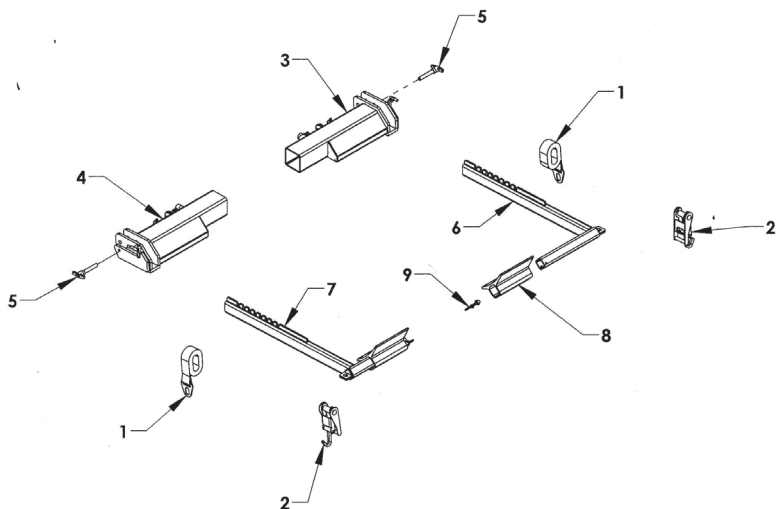
Section V - PARTS

4,000 LB. WHEEL LIFT - GEN 2

REF. NO.	NO. REQ'D	PART NUMBER	DESCRIPTION
1	1	10240408	WHEEL LIFT OUTER BOOM TUBE - 4K
2	1	72A30054	WHEEL LIFT EXTEND CYLINDER 3.0 x 54 STROKE
3	1	102404	4K INNER BOOM WELDMENT
4	1	65613	WEAR PAD 1/2 x 2 x 3 NSM BEVELED
5	2	0809411U	WHEEL LIFT BOOM HINGE PIN
6	1	729352	PIN -CARRIER W/L EXTEND CYLINDER BASE
7	2	86100E	SNAP RING 1" EXTERNAL
8	1	0308372-1175	DOCK STABILIZER CYLINDER 4 x 11.75
9	1	0750562	EURO SCL LIFT CYL MOUNTING PIN-BASE
10	1	84680	KEEPER PIN 3/8 ROD END
11	1	0400132	BOLT, HHCS 3/8-16 UNC x 1-1/2
12	3	0400392	LOCK WASHER 3/8-16 UNC
13	1	0750523	WHEEL LIFT REAR MTG PIN
14	2	0400150	BOLT, BHCS 3/8-16 UNC x 1-1/2
15	3	7B130	GREASE FITTING 1/4-28
16	4	0403139	BOLT HHCS 3/8-16 UNC x 1
17	4	0400482	LOCK WASHER 3/8
18	2	63595H	WEAR PAD NYLATRON NSM 1/2 x 2 x 4 WITH HOLES
19	2	63595	WEAR PAD NYLATRON NSM 1/2 x 2 x 4
20	2	86100I	SNAP RING 1" INTERNAL
21	1	72940	CYLINDER PIN 0.980 x 6-5/8
22	1	655152	CROSSBAR WELDMENT
23	1	65435	CROSSBAR PIVOT PIN
24	1	82212	WASHER 3/8 ID x 1 OD
25	1	0403140	BOLT, BHCS 3/8-16 UNC x 1/2
26	1	65265L	WHEEL GRID - LEFT
27	1	65265R	WHEEL GRID - RIGHT
28	1	65250R	4000 LB. L-ARM - RIGHT
29	1	65250L	4000 LB. L-ARM - LEFT
30	2	65280A	RATCHET AND HOOK ASSEMBLY
31	2	65285	WHEEL STRAP WITH D-RING YELLOW
32	2	84921	T-PIN 5/8 x 3 QUICKPIN

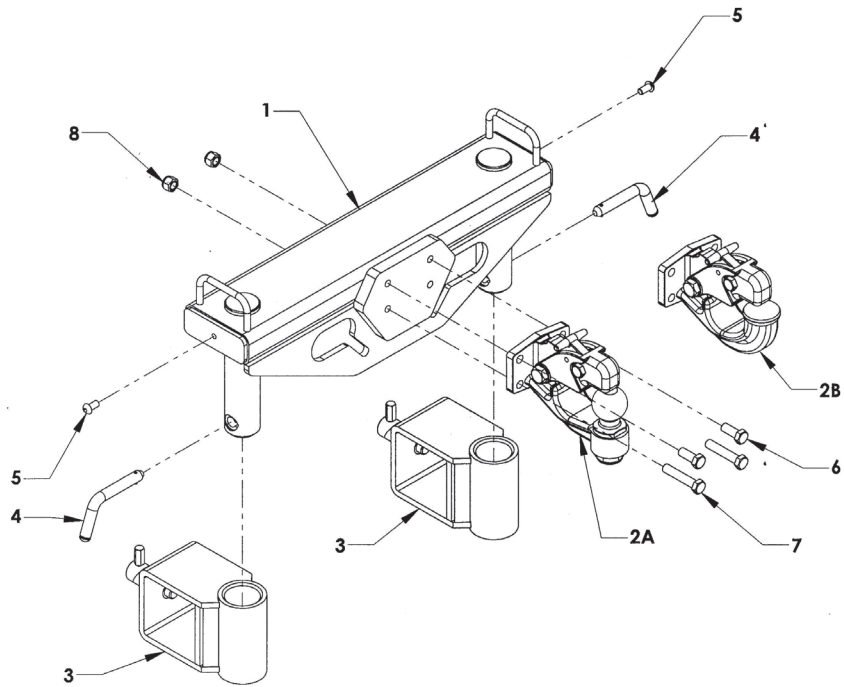
Section V - PARTS

WHEEL-LIFT DROP-IN RELEASABLE L-ARMS



REF. NO.	NO. REQ'D	PART NUMBER	DESCRIPTION
1	2	65285	WHEEL STRAP WITH D-RING - YELLOW
2	2	65280A	WHEEL LIFT RATCHET AND HOOK ASSEMBLY
3	1	65265R	WHEEL GRID - RIGHT
4	1	65265L	WHEEL GRID - LEFT
5	2	84921	T-PIN WITH LANYARD
6	1	65250R	4000 LB. L-ARM RIGHT
7	1	65250L	4000 LB. L-ARM LEFT
8	2	65245	REMOVABLE PAN
9	2	84911	5/16 SAFETY SNAP PIN

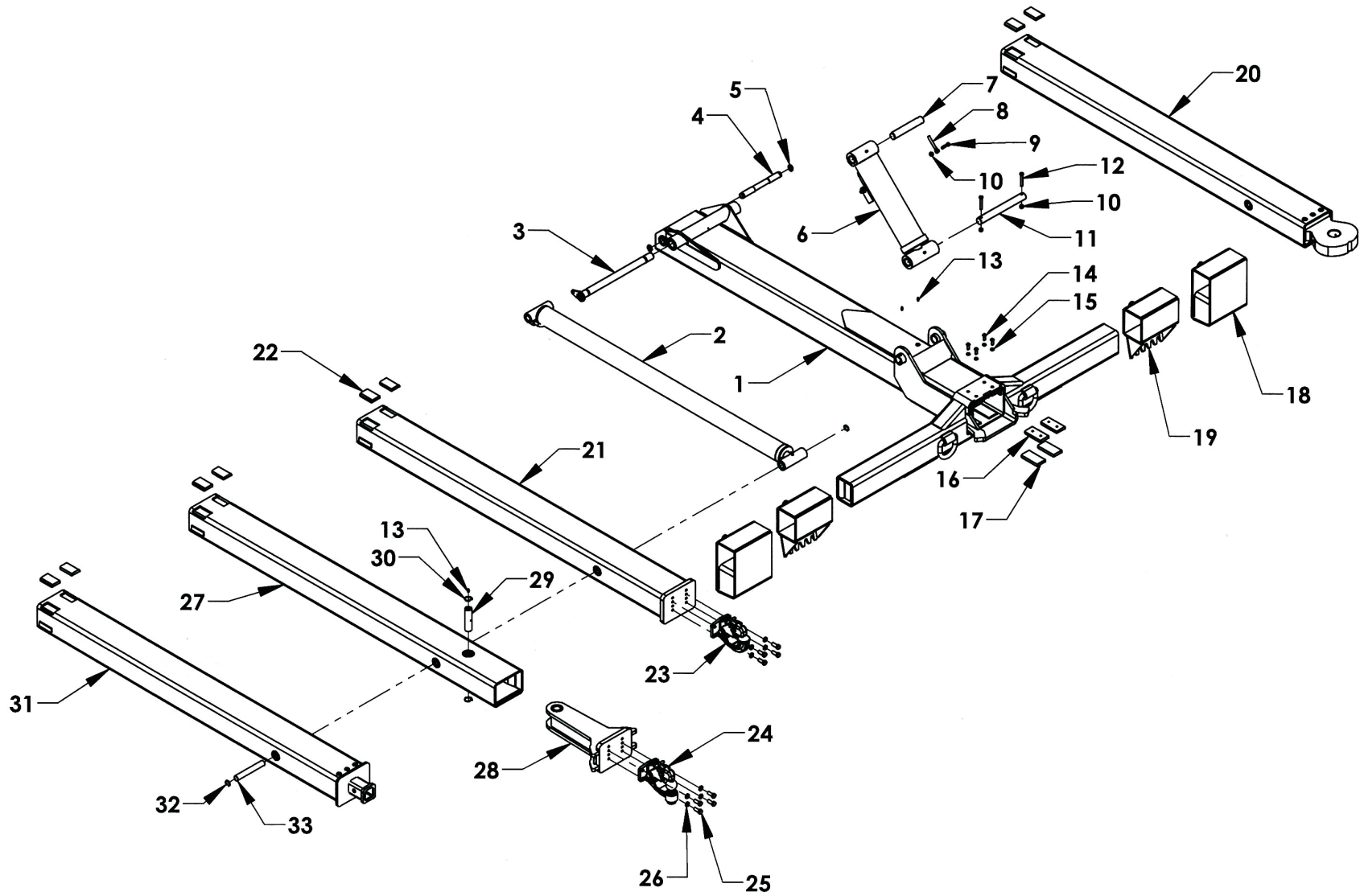
Section V - PARTS
PINTLE ATTACHMENT GROUP



REF	PART #	DESCRIPTION	QPU
1	66370W	PINTLE ATTACHMENT	1
2A	A3020	TOW BALL PINTLE HITCH	1
2B	A3020H	PINTLE HOOK	1
3	66280	FORK HOLDER - 4 IN. CROSSBAR	2
	65460	FORK HOLDER - 3-1/2 IN. CROSSBAR	2
4	66378	RETAINING PIN	2
5	812A6	3/8 X 5/8 BUTTONHEAD BOLT	4
	5A221	LANYARD	2
6	81428	BOLT 1/2-13 X 1.25 GRADE 8 SECURE WITH LOCTITE	2
7	81449	BOLT 1/2-13 x 2.5 GRADE 8	2
8	83312	1/2-13 NUT NYLOK	2

Section V - PARTS

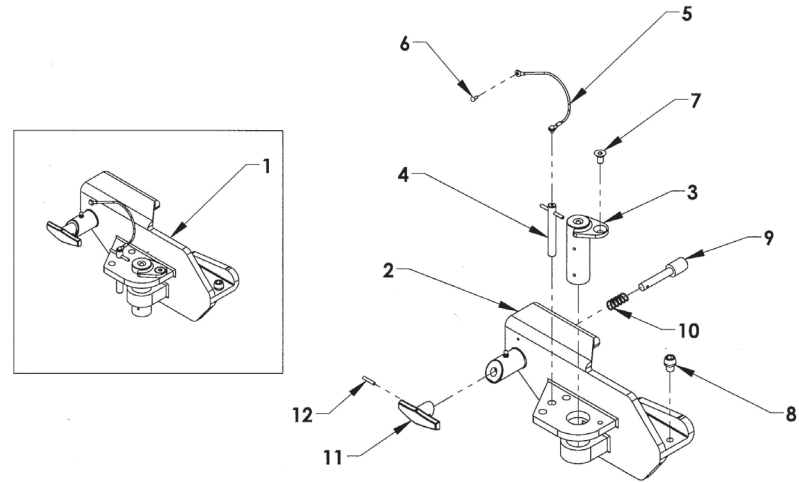
4,000 LB. UNDERLIFTS
GEN 2 SERIES 10



Section V - PARTS
4,000 LB. UNDERLIFT - GEN 2

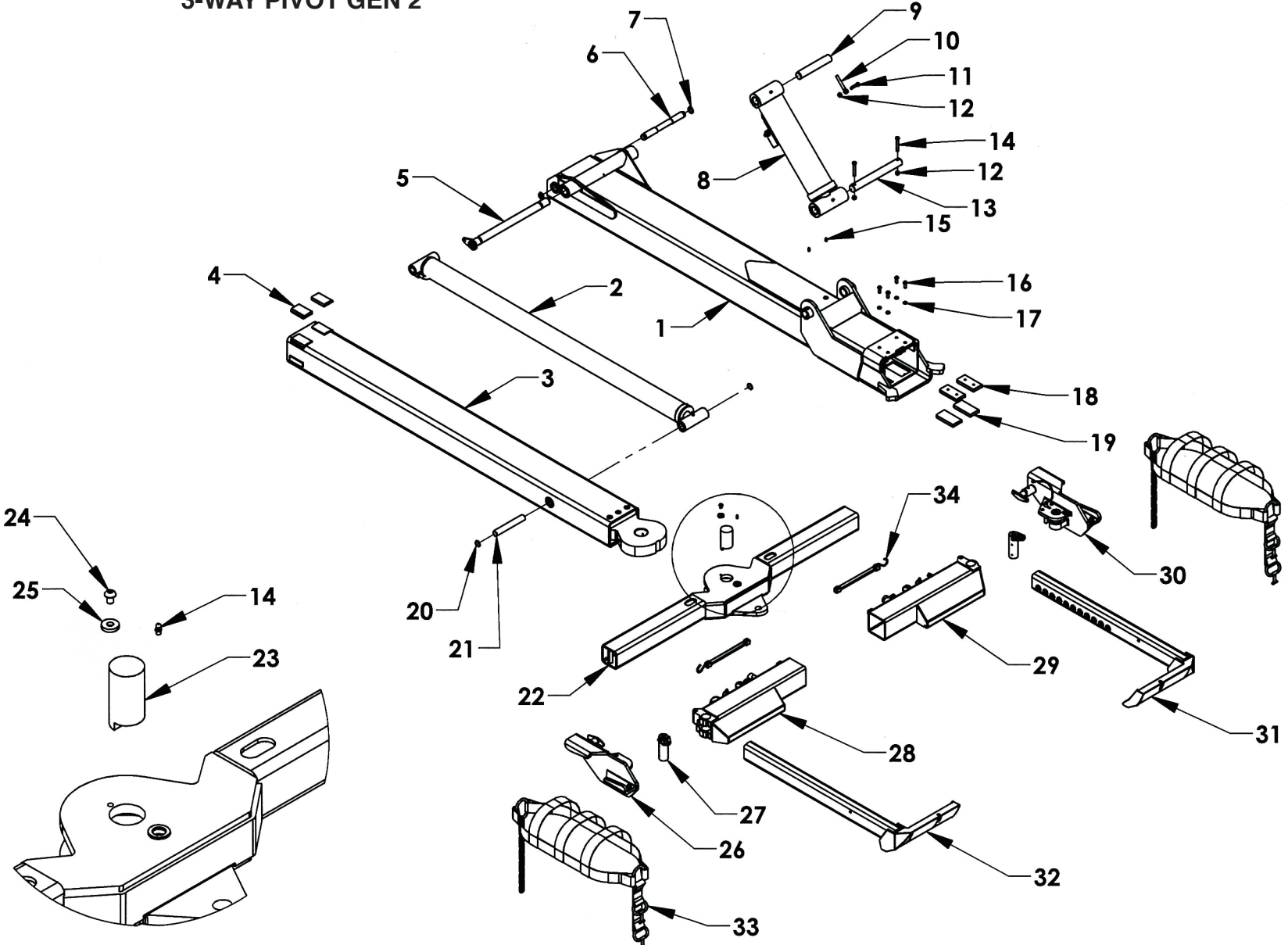
REF. NO.	NO. REQ'D	PART NUMBER	DESCRIPTION
1	1	10240408DS	UNDERLIFT OUTER BOOM TUBE
2	1	72A30054	WL EXTEND CYLINDER 3.0 BORE x 54 STROKE
3	1	0809411U	WHEEL LIFT BOOM HINGE PIN
4	1	729352	PIN - WHEEL LIFT EXTEND CYLINDER BASE
5	2	86100E	SNAP RING 1' EXTERNAL
6	1	0308372-1175	DOCK STABILIZER CYL. 4.0 BORE x 11.75 STROKE
7	1	0750562	EURO SCL LIFT CYL MOUNTING PIN-BASE
8	1	84680	KEEPER PIN 3/8 ROD END
9	1	0400132	BOLT, HHCS 3/8-16 UNC x 1-1/2
10	3	0400392	NYLON LOCK NUT 3/8-16 UNC
11	1	0750523	WHEEL LIFT REAR MOUNTING PIN
12	2	0400150	BOLT, HHCS 3/8-16 UNC x 1-1/2
13	3	7B130	GREASE FITTING 1/4-28
14	4	0403139	BOLT, BHCS 3/8-16 UNC x 1
15	4	0400482	LOCK WASHER 3/8
16	4	63595H	WEAR PAD NYLATRON NSM 1/2 x 2 x 4 W/HOLES
17	4	63595	WEAR PAD NYLATRON NSM 1/2 x 2 x 4
18	2	0809898-54	DOCK STABILIZER EXTENSION STAND (OPT)
19	2	0809646-54	DOCK STABILIZER SPADE (OPT)
20	1	102404	4K UNDERLIFT INNER BOOM TUBE
21	1	10244P	4K UNDERLIFT INNER PINTLE BOOM TUBE
22	2	65613	WEAR PAD 1/2 x 2 x 3 NSM BEVELED
23	1	A3020H	PINTLE HOOK
24	1	A3020	PINTLE BALL
25	4	0400177	BOLT, HHCS 1/2-13 UNC x 1-1/4
26	4	0400491	WASHER 1/2 LOCK
27	1	102404-PP	4K INNER BOOM-PIVOTING PINTLE
28	1	143355	PIVOTING PINTLE HEAD WELDMENT - 4K
29	1	143142PP	PIN - PIVOTING PINTLE HEAD 4K
30	2	86125I	SNAP RING 1-1/4 INTERNAL
31	1	10244R	4K INNER BOOM - REESE RECEIVER
32	2	86100I	SNAP RING 1" INTERNAL
33	1	72940	CYLINDER PIN

Section V - PARTS
PIVOT L-ARM RECEIVER GROUP



REF. NO.	NO. REQ'D	PART NUMBER	DESCRIPTION
1	1	659820L	PIVOT L-ARM RECEIVER GROUP-LEFT
	1	659820R	PIVOT L-ARM RECEIVER GROUP-RIGHT (SHOWN)
2	1	659821L	PIVOT L-ARM RECEIVER CASTING - LEFT
	1	659821R	PIVOT L-ARM RECEIVER CASTING-RHT (SHOWN)
3	1	659822	L-ARM RECEIVER CASTING PIVOT PIN
4	1	659826	PIVOT LOCK PIN
5	1	659827	LANYARD
6	1	85016	RIVET
7	1	81225	FLAT HEAD SOCKET CAP SCREW 3/8-16 UNC x 1/2
8	1	81226	TAPERED SCOKET CAP SCREW 1/2-13 UNC x 1/2
9	1	659824	7/8 CAM PIN
10	1	89100	CAM PIN SPRING
11	1	659825	T-HANDLE
12	1	84675	ROLL PIN 3/16 x

Section V - PARTS
4,000 LB. WHEEL LIFT
3-WAY PIVOT GEN 2



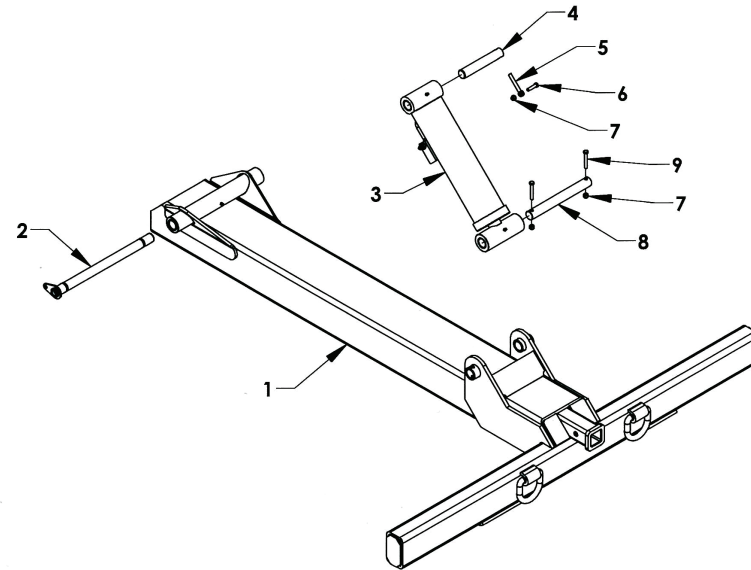
Section V - PARTS

4,000 LB. WHEEL LIFT 3-WAY PIVOT GEN 2

REF. NO.	NO. REQ'D	PART NUMBER	DESCRIPTION
1	1	0809926	WHEEL LIFT OUTER BOOM TUBE - 4K
2	1	72A30054	WHEEL LIFT EXTEND CYLINDER 3.0 x 54
3	1	102404	4K INNER BOOM WELDMENT
4	2	65613	WEAR PAD 1/2 x 2 x 3 NSM BEVELED
5	1	0809411U	WHEEL LIFT BOOM HINGE PIN
6	1	729352	PIN -CARRIER W/L EXTEND CYLINDER BASE
7	2	86100E	SNAP RING 1" EXTERNAL
8	1	0308372-1175	DOCK STABILIZER CYLINDER 4 X 11.75
9	1	0750562	EURO SCL LIFT CYL. MOUNTING PIN-BASE
10	1	84680	KEEPER PIN 3/8 ROD END
11	1	0400132	BOLT, HHCS 3/8-16 UNC x 1-1/2
12	3	0400392	LOCK WASHER 3/8-16 ZP
13	1	0750523	LIFT CYLINDER 3.25 x 1.75 x 13.00
14	2	0400150	BOLT HHCS 3/8-16 UNC x 2-1/2
15	3	7B130	GREASE FITTING 1/4-28
16	4	0403139	BOLT, BHCS 3/8-16 UNC x 1
17	4	0400482	LOCK WASHER 3/8"
18	2	63595H	WEAR PAD NYLATRON NSM 1/2 x 2 x 4 WITH HOLES
19	2	63595	WEAR PAD NYLATRON NSM 1/2 x 2 x 4
20	2	86100I	SNAP RING 1" INTERNAL
21	1	72940	CYLINDER PIN 0.980 x 6-5/8
22	1	655152	CROSSBAR WELDMENT
23	1	65435	CROSSBAR PIVOT PIN
24	1	0403004	BOLT - BHCS 3/8-16 UNC x 3/4
25	1	82212	WASHER 3/8 ID x 1 OD
26	1	659821L	PIVOT L-ARM RECEIVER - LEFT
27	1	0809284R	L-ARM PIVOT PIN
28	1	659811L	3-WAY PIVOT WHEEL GRID - LEFT
29	1	659811R	3-WAY PIVOT WHEEL GRID - RIGHT
30	1	659821R	PIVOT L-ARM RECEIVER - RIGHT
31	1	659830R	3-WAY PIVOT L-ARM WELDMENT - RIGHT
32	1	659830L	3-WAY PIVOT L-ARM WELDMENT - LEFT
33	2	65286	BASKET STRAP - CAR
-	2	65287	BASKET STRAP - TRUCK
34	2	AA009G	RUBBER TENSION STRAP WITH S-HOOK

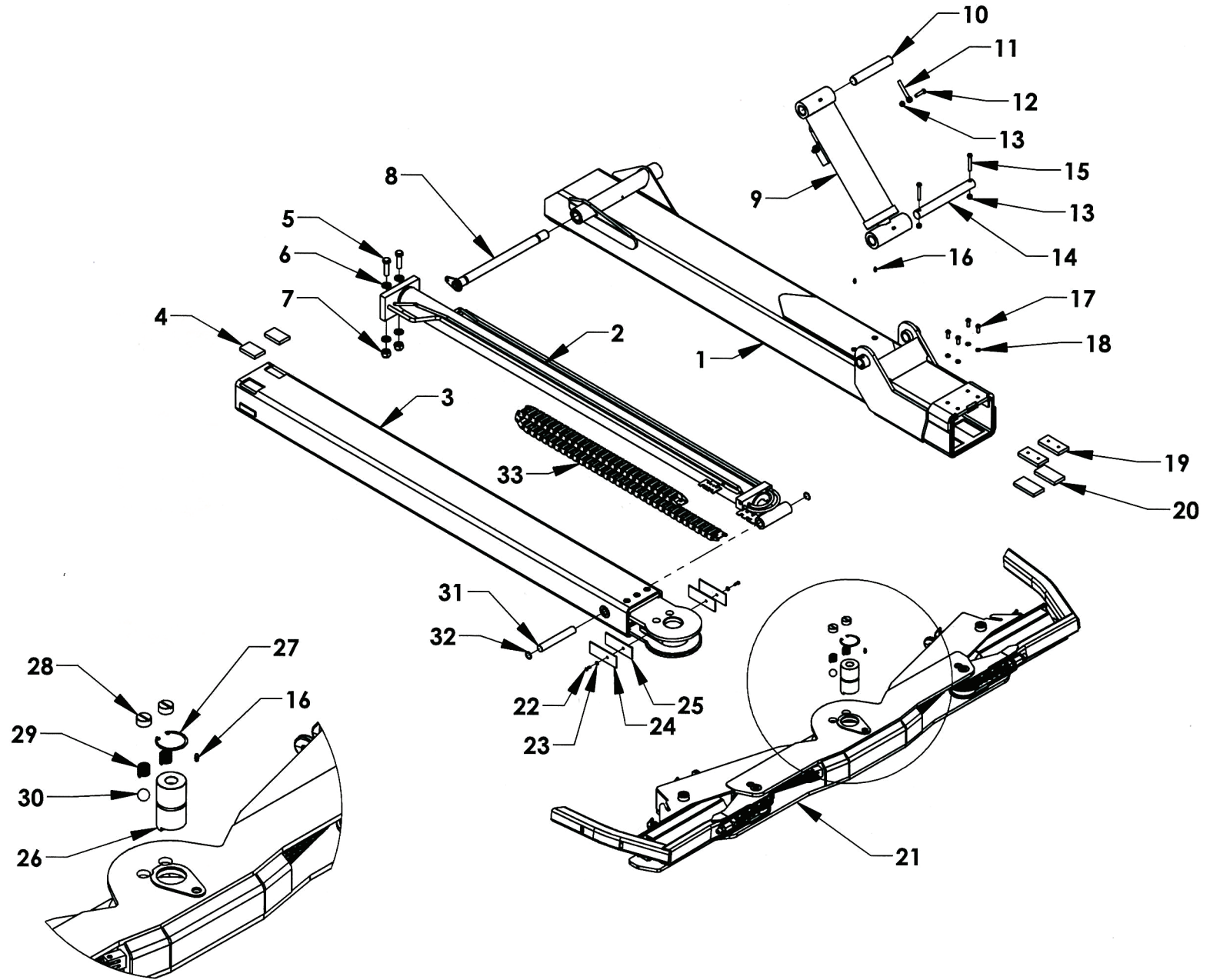
Section V- PARTS

DOCK STABILIZER



REF NO.	NO REQ'D	PART NUMBER	DESCRIPTION
1	1	0810010-10	DOCK STABILIZER WELDMENT
2	1	0809411U	WHEEL LIFT BOOM HINGE PIN
3	1	0308372-1175	DOCK STABILIZER CYL. 4 x 11.75
4	1	0750562	EURO SCL LIFT CYL MTG PIN-BASE
5	1	84680	KEEPER PIN 3/8 ROD END
6	1	0400132	BOLT HHCS, 3/8-16 UNC x 1-1/2
7	1	0400392	NYLON LOCK NUT 3/8-16 ZP
8	1	0750523	WHEEL LIFT REAR MTG PIN
9	2	0400150	BOLT HHCS 3/8-16 UNC x 2-1/2

Section V- PARTS
AUTOGRIP WHEEL LIFT

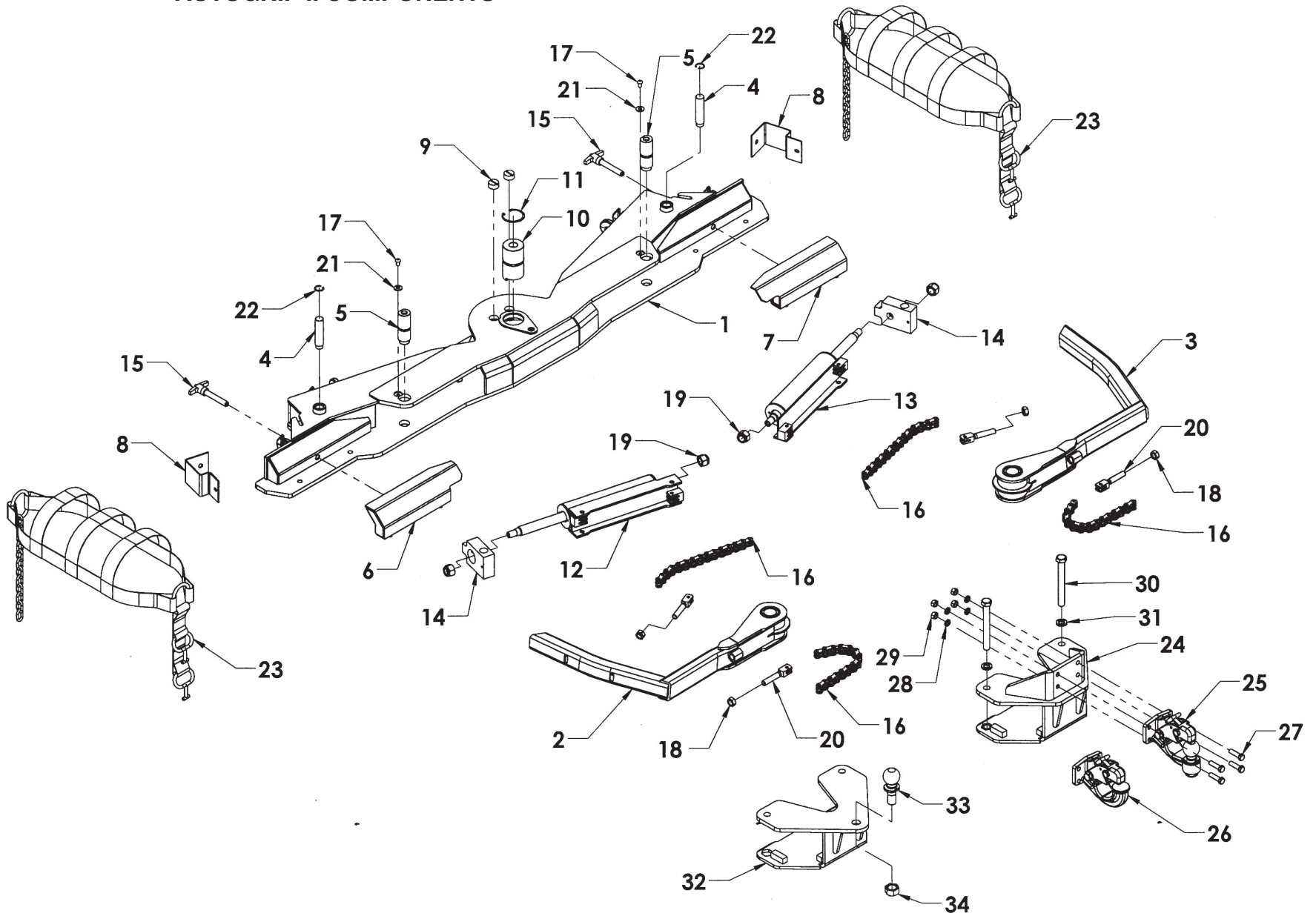


Section V - PARTS

**4,000 LB. WHEEL LIFT
SERIES 10 GEN 2
AUTOGRIP**

REF. NO.	NO. REQ'D	PART NUMBER	DESCRIPTION
1	1	10240410	AUTOGRIP OUTER BOOM TUBE - 4K
2	1	72136	AUTOGRIP EXTEND CYL 3.0 BORE x 54 STROKE
3	1	102522	AUTOGRIP INNER BOOM WELDMENT
4	2	65612	WEAR PAD 1/2 x 2 x 3 NSM
5	2	0403141	BOLT, HHCS 5/8-11 UNC x 2-1/4
6	4	0400506	LOCK WASHER 5/8, Z
7	2	0400421	NUT 1/2-13 UNC NYLON LOCK
8	1	0809411U	WHEEL LIFT BOOM HINGE PIN
9	1	0308372-1175	DOCK STABILIZER CYLINDER 4 x 11.75
10	1	0750562	EURO SCL LIFT CYL. MOUNTING PIN-BASE
11	1	84680	KEEPER PIN 3/8 ROD END
12	1	0400132	BOLT 3/8-16 UNC x 1-1/2
13	1	0400392	NYLON LOCK NUT 3/8-16 ZP
14	1	0750523	WHEEL LIFT REAR MOUNTING PIN
15	2	0400150	BOLT, HHCS 3/8-16 UNC x 2-1/2
16	3	7B130	GREASE FITTING 1/4-28
17	4	0403139	BOLT BHCS 3/8-16 UNC x 1
18	4	0400482	LOCK WASHER 3/8
19	2	63595H	WEAR PAD NYLATRON NSM 1/2 x 2 x 4 W/HOLES
20	2	63595	WEAR PAD NYLATRON NSM 1/2 x 2 x 4
21	1	644002CG	AUTOGRIP CROSSBAR GEN 2
22	2	0403142	BOLT BHCS 1/4-20 UNC x 3/4
23	2	0400452	LOCK WASHER 1/4
24	2	64304C	HOSE CLAMP AUTOGRIP II YOKE
25	2	64304R	RUBBER GASKET FOR 64304C
26	1	644402	AUTOGRIP CROSSBAR PIVOT PIN GEN 2
27	1	862501	SNAP RING 2-1/2 INTERNAL
28	2	643272	AUTOGRIP DETENT SCREW GEN 2
29	2	69320	AUTOGRIP DETENT SPRING GEN 2
30	2	69325	AUTOGRIP DETENT BALL
31	1	72940	CYLINDER PIN 0.980 x 6-5/8
32	2	861001	SNAP RING 1" INTERNAL
33	1	69757	AUTOGRIP HOSE TRACK

Section V - PARTS
AUTOGRIP II COMPONENTS



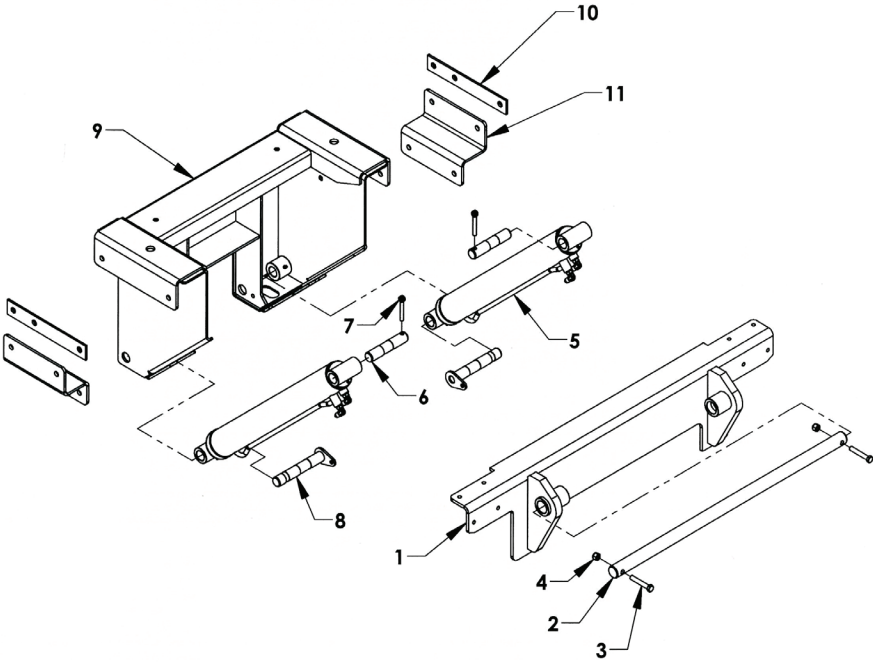
Section V - PARTS

AUTOGRIP II COMPONENTS

REF NO.	NO REQ'D	PART NUMBER	DESCRIPTION
1	1	644002	CROSSBAR WELDMENT
2	1	644352	WHEEL RETAINER - LEFT
3	1	644352	WHEEL RETAINER - RIGHT
4	2	644432	WHEEL RETAINER CYLINDER PIN
5	2	644452	ARM PIVOT PIN
6	1	697402L	WHEEL SPACER - LEFT
7	1	697402R	WHEEL SPACER - RIGHT
8	2	644292	HOSE GUARD
9	2	64327	SCREW-PLUG CROSSBAR DETENT
10	1	644402	CROSSBAR PIN
11	1	862501	SNAP RING 2.500 INCH INTERNAL
12	2	720152L	WHEEL RETAINER CYLINDER - LEFT
13	2	720152R	WHEEL RETAINER CYLINDER - RIGHT
14	2	727162	L-ARM CYLINDER END BLOCK
15	2	84291	T-PIN 5/8 x 3
16	4	87440	AUTOGRIP ARM CHAIN
	4		5/16 x 1-1/4 SHOULDER SHCS 1/4-20 UNC
	4		1/4-20 UNC NYLON LOCK NUT
17	2		3/8 ALLEN BOLT
18	4		5/8 NYLON LOCK NUT
19	2	644432	3/4 NYLON LOCK NUT
20	4	64441	CHAIN CLEVIS
	4		5/16 x 1 SHOULDER SHCS 1/4-20 UNC
	4		1/4-20 UNC NYLON LOCK NUT
21	2		5/16 FLAT WASHER
22	2	861001	SNAP-RING 1.000 INCH INTERNAL
23	2	65286	BASKET TIRE STRAP - AUTO
	2	66287	BASKET TIRE STRAP - TRUCK
24	1	694520	AUTOGRIP PINTLE ADAPTOR (OPTIONAL)
25	1	A3020	PINTLE BALL ATTACHMENT (OPTIONAL)
26	1	A3020H	PINTLE HOOK ATTACHMENT (OPTIONAL)
27	4		BOLT, HHCS 1/2-13 UNC x 1-3/4
28	4		LOCK WASHER, 1/2
29	4		HEX NUT 1/2-13 UNC
30	2		BOLT, HHCS 3/4-10 UNC x 6-1/2
31	2		LOCK WASHER 3/4
32	1	694510	AUTOGRIP TOWBALL ADAPTOR (OPTIONAL)
33	1		TOWBALL
34	1	83711	NUT - 1" NF RAMCO LOCK

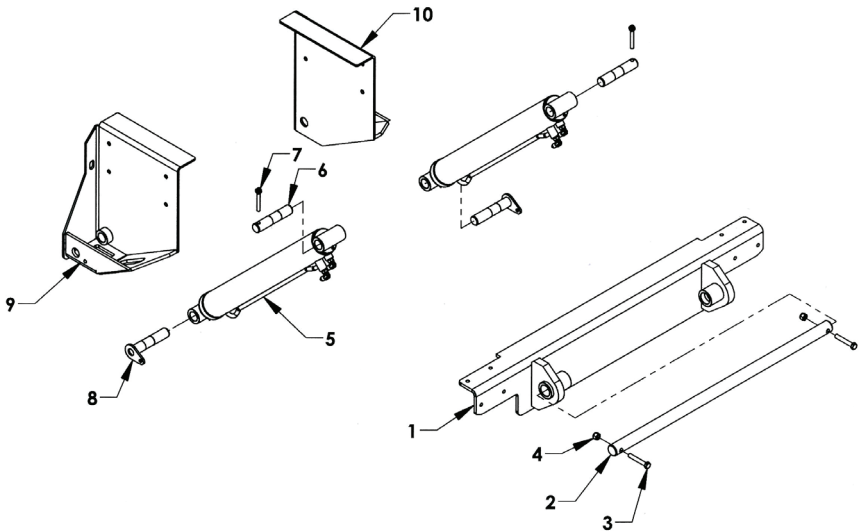
Section V - PARTS

INBOARD TILT CYLINDERS



REF	PART #	DESCRIPTION	QPU
1	0809927	HINGE ANGLE SERIES 10 G2	1
2	0752164	SUBFRAME HINGE PIN SERIES 10 G2	1
3	-	BOLT, HHCS 1/2-20 UNF x 3	2
4	-	NYLON LOCK NUT 1/2-20 UNF	2
5	721092	TILT CYLINDER 3 x 23	2
6	13068	PIN-TILT CYLINDER BASE	2
7	84680	KEEPER PIN 3/8 ROD END	2
8	1A828A	INBOARD SADDLE TILT PIN	2
9	1A8002	INBOARD SADDLES 10/14	1
10	1A821S	SADDLE SHIM	2
11	1A925	INBOARD SADDLE UNDER-FRAME Z-BRACKET	2

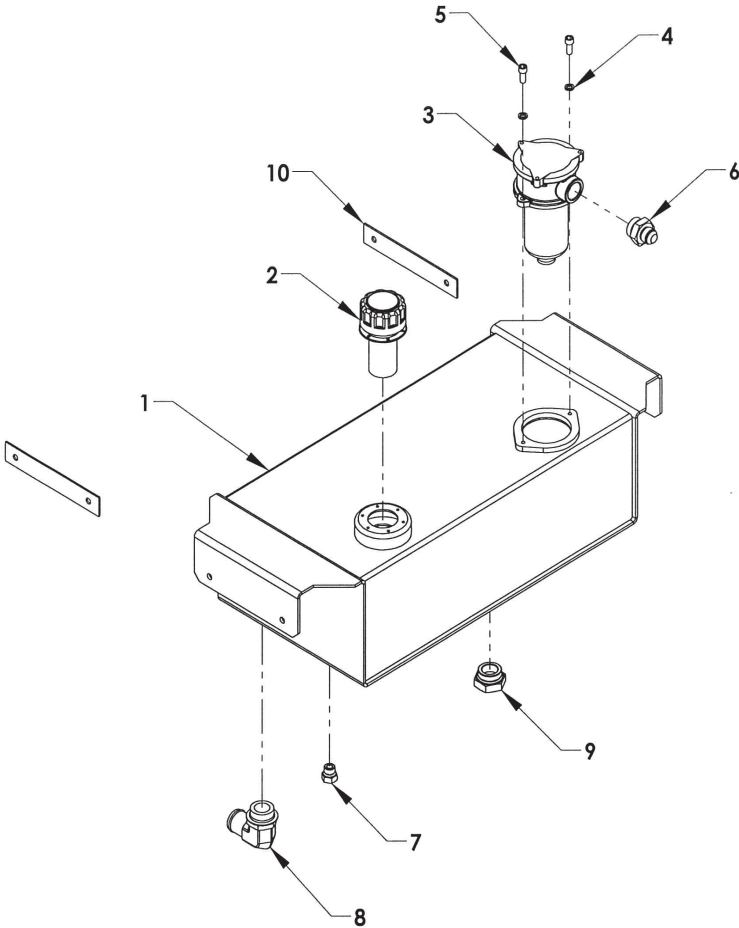
Section V - PARTS OUTBOARD TILT CYLINDERS



REF	PART #	DESCRIPTION	QPU
1	0809927-FD	SERIES 10 G2 HINGE ANGLE-FORD/DODGE	1
2	0752164	SERIES 10 G2 SUBFRAME HINGE PIN	1
3	-	BOLT, HHCS 1/2-20 UNF x 3	2
4	-	NYLON LOCK NUT 1/2-20 UNF	2
5	721092	TILT CYLINDER 3 x 23	2
6	13068	PIN - TILT CYLINDER BASE	2
7	84680	KEEPER PIN 3/8 ROD END	2
8	1A735	OUTBOARD TILT CYLINDER KEEPER PIN	2
9	1A730L	18 IN. OUTBOARD TILT SADDLE - LEFT	1
10	1A730R	18 IN. OUTBOARD TILT SADDLE - RIGHT	1

Section V - PARTS

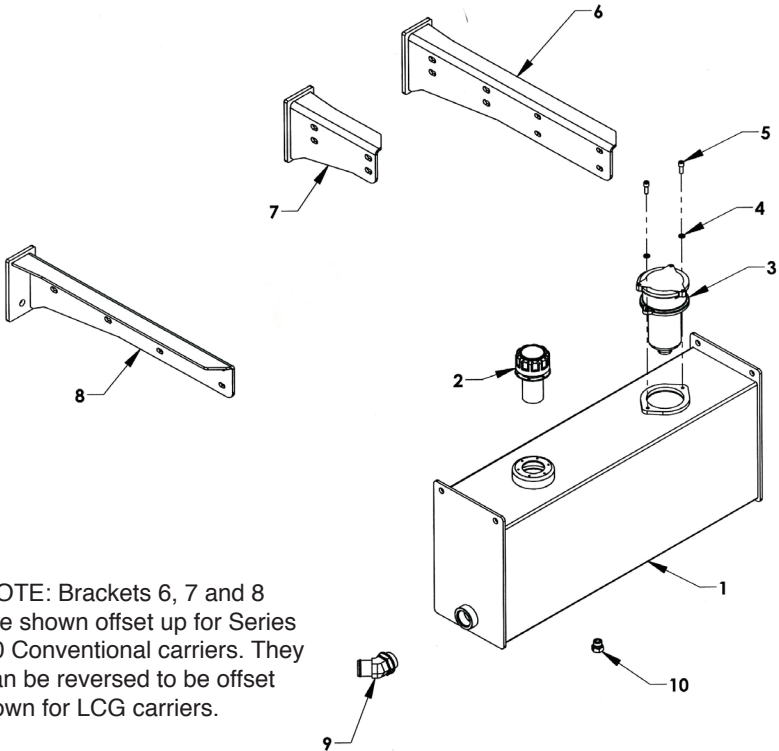
INBOARD OIL RESERVOIR GROUP



REF	PART #	DESCRIPTION	QPU
1	763100	INBOARD OIL RESERVOIR WELDMENT	1
2	76213	FILLER BREATHER CAP	1
3	76270	FILTER ASSEMBLY	1
	76271	REPLACEMENT FILTER ELEMENT	1
4		LOCK WASHER 5/16 ZINC PLATE	2
5		BH CAP SCREW 5/16-18 UNC x 7/8 SS	2
6	ADPTR202702-16x12	ADAPTOR 202702-16 x 12	1
7	ADPTR900598-8	ADAPTOR 900598-8 (DRAIN PLUG)	1
8	77C92	20 x 24 SUCTION HOSE FITTING 90 °	1
9	ADPTR900598-20	ADAPTOR 900598-20 (DRAIN PLUG)	1
10	763106	FRAME WIDTH SHIM	2

Section V - PARTS

12 GAL. OUTBOARD OIL TANK GROUP (CONVENTIONAL CARRIER)

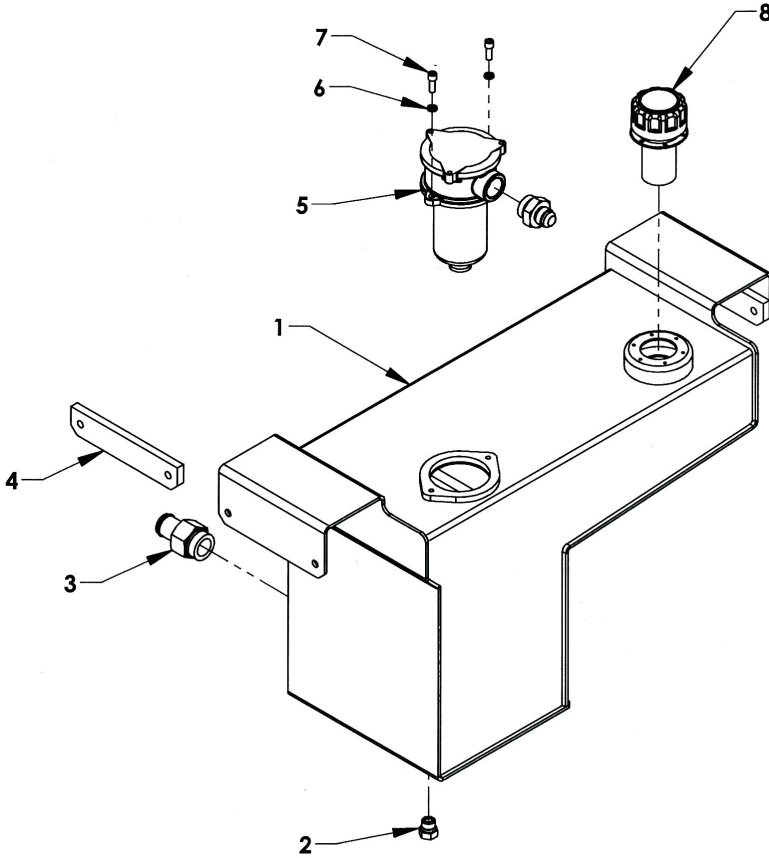


NOTE: Brackets 6, 7 and 8 are shown offset up for Series 10 Conventional carriers. They can be reversed to be offset down for LCG carriers.

REF	PART #	DESCRIPTION	QPU
1	762110	12 GAL. OUTBOARD OIL TANK WELDMENT	1
2	76213G	FILLER BREATHER CAP ASSEMBLY	1
3	76270	IN-TANK FILTER ASSEMBLY #16 SAE PORT	1
4	-	LOCK WASHER 5/16 ZINC PLATE	2
5	-	BHCS 5/16-18 UNC x 7/8 SS	2
6	37855R	TOOL BOX AND OIL TANK MTG. BRACKET - R	1
7	37858R	OIL TANK MOUNTING BRACKET - RIGHT	1
8	37855L	TOOL BOX AND OIL TANK MTG. BRACKET - L	1
9	ADPTR2061-20x24H	ADAPTOR 2061-20 x 24H (24 GPM)	1
	ADPTR2061-20x20H	ADAPTOR 2061-20 x 20H (15-18 GPM)	1
10	0403113	#8 O-RING PLUG-ADAPTOR 900898-8	1

Section V - PARTS

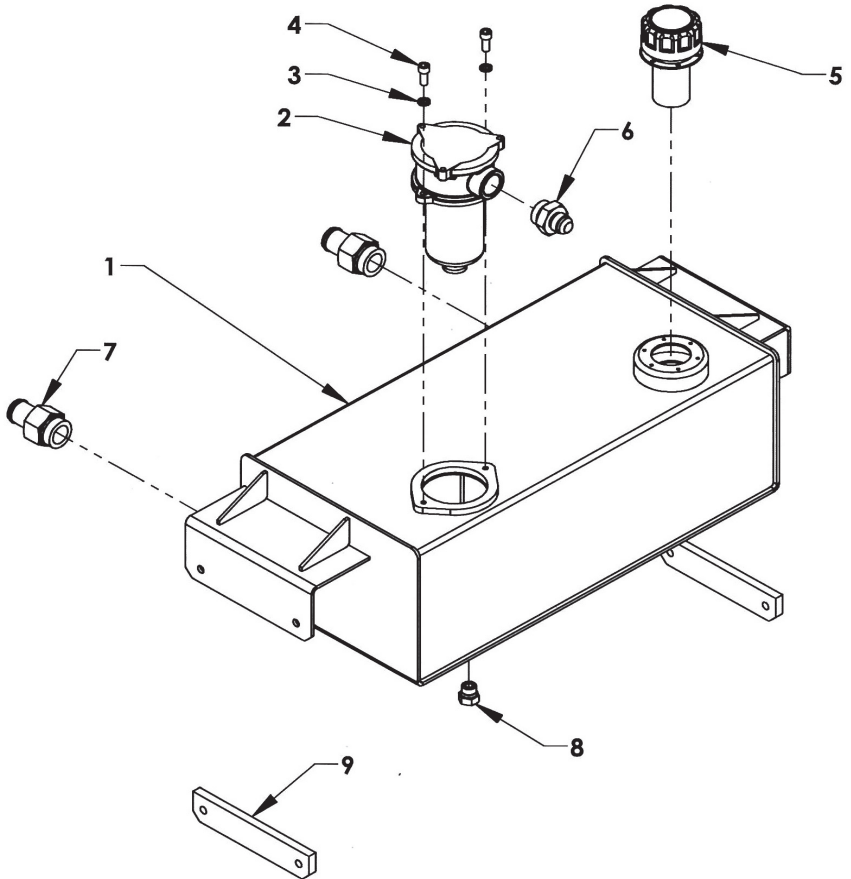
FORD F550/DODGE 5500 OIL RESERVOIR GROUP - 0940443



REF	PART #	DESCRIPTION	QPU
1	0809971	SERIES 10 G2 IB OFFSET OIL TANK - 12 GAL	1
2	ADPTR900598-8	#8 O-RING PLUG	1
3	ADPTR202702-20x20H	STRAIGHT SUCTION HOSE FITTING 20 x 20	1
4	0752557-500	IB OIL TANK SHIM - 1/2 (DODGE ONLY)	2
5	76270	IN-TANK FILTER ASSEMBLY #16 SAE PORT	1
	76271	REPLACEMENT FILTER ELEMENT	1
6	-	LOCK WASHER 5/16 ZP	2
7	-	BOLT, SHCA 5/16-18 UNC x 7/8 SS	2
8	76213	FILLER BREATHER CAP	1

Section V - PARTS

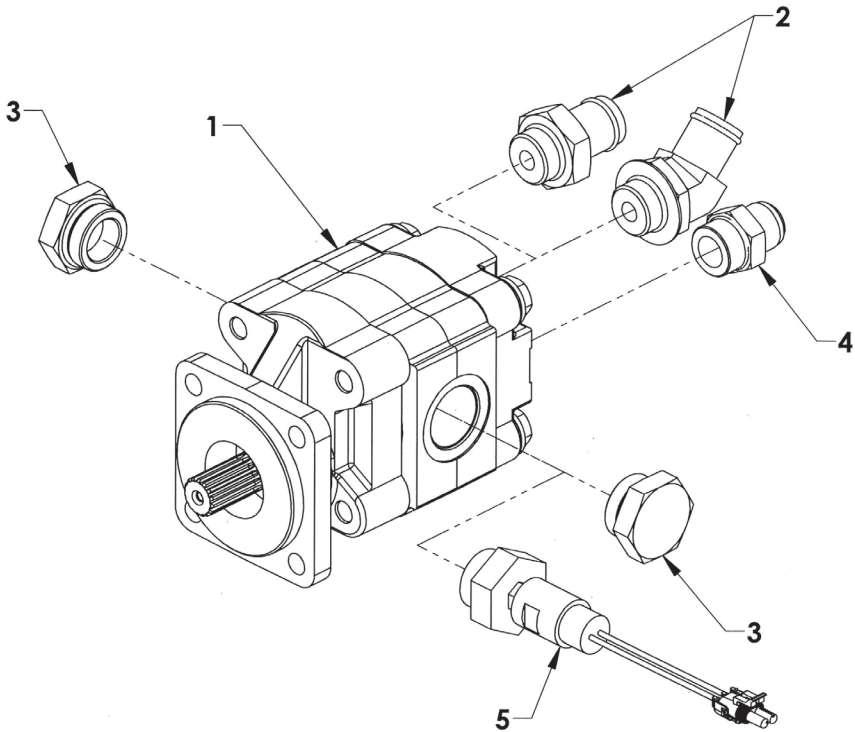
INBOARD OIL RESERVOIR GROUP TRANSFER FLOW FUEL TANK



REF	PART #	DESCRIPTION	QPU
1	0811131	INBOARD OIL TANK - TRANSFER FLOW	1
2	76270	IN-TANK FILTER ASSEMBLY #16 SAE PORT	1
3	LWSH075	LOCK WASHER 3/8	2
4	BOLT-CS-0375X0875	CAP SCREW 3/8-16 UNC x 7/8 SS	2
5	76213	FILLER/BREATHER CAP ASSEMBLY	1
6	ADPTR202702-16x12	ADAPTOR 202702-16 x 12	1
7	ADPTR202702-20X20H	ADAPTOR 900598-8 (DRAIN PLUG)	2
8	ADPTR900598-8	#8 O-RING PLUG	1
9	0752557-500	IB OIL TANK SHIM - 1/2 (DODGE CHASSIS)	2

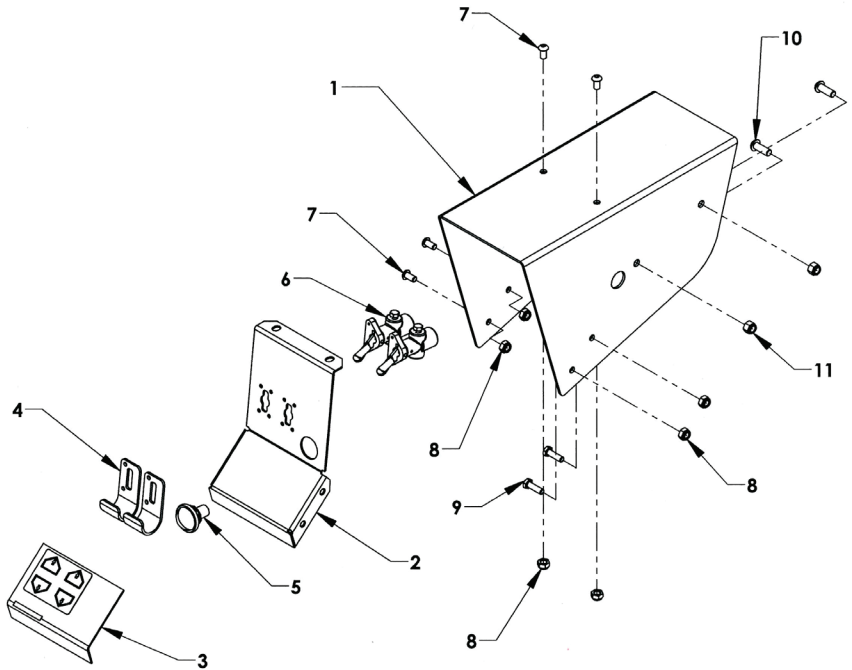
Section V - PARTS

DIRECT MOUNT PUMP - 18 GPM



REF	PART #	DESCRIPTION	QPU
1	0320144	18 GPM, 1 IN.15 SPLINE SHAFT, SAE 4-BOLT FLANGE	1
2	SI4604-20 x 16	#16-45 M O-RING x 1-1/4 M NIPPLE	1
	S14603- 20 x 26F	#16 M O-RING x 1-1/4 NIPPLE	1
3	77620	1-1/4 O-RING PLUG 900598-20	2
4	779A7	#16 M O-RING X 3/4 MJIC	1
5	0909434	PRESSURE TRANSDUCER (OPTIONAL)	1

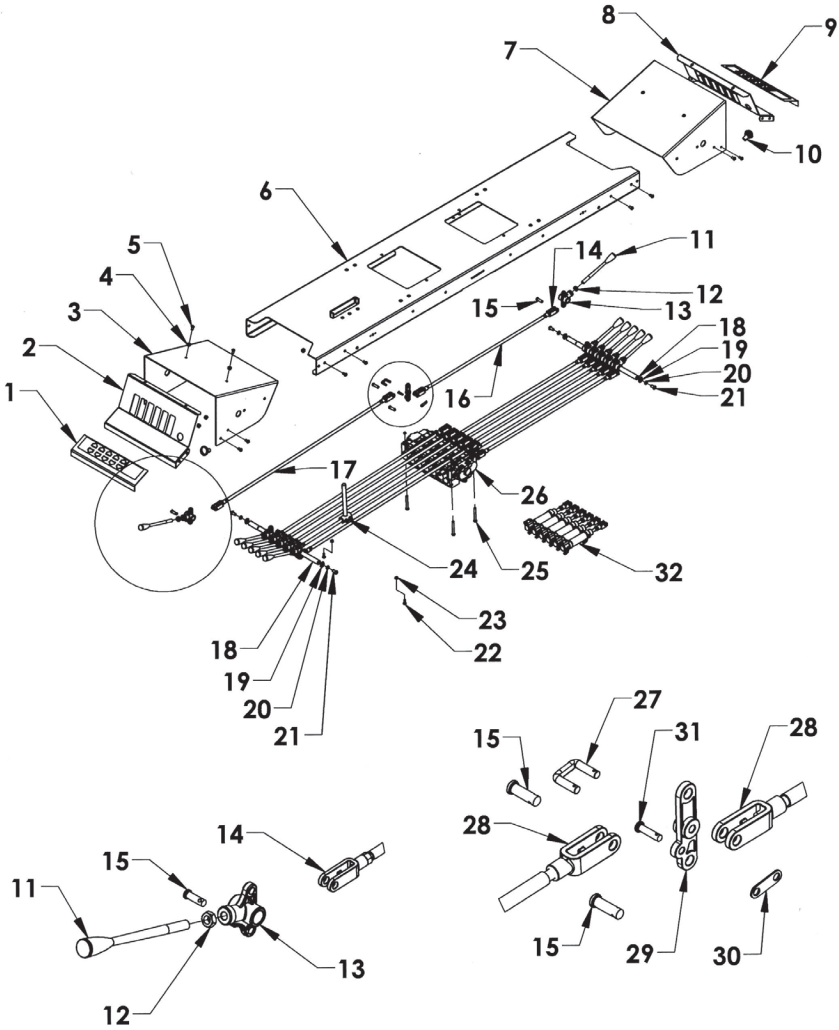
Section V - PARTS 2 AIR VALVE CONTROL STATION



REF. NO.	NO. REQ'D	PART NUMBER	DESCRIPTION
1	1	18148	2-TOGGLE AIR VALVE CONTROL HOOD
2	1	18149L	2-TOGGLE AIR VALVE CONTROL PANEL - LEFT
	1	18148R	2-TOGGLE AIR VALVE CONTROL PANEL - RIGHT
3	1	18221L	2-TOGGLE AIR VALVE CONTROL PLACARD - LEFT
	1	18221R	2-TOGGLE AIR VALVE CONTROL PLACARD - RIGHT
4	2	18145	TOGGLE AIR VALVE GUARD
5	1	97300	CONTROL LIGHT
6	2	71716	TOGGLE AIR VALVE
7	4	-	BOLT BHCS 5/16-18 UNC x 5/8
8	6	-	NYLON LOCK NUT 5/16 UNC
9	2	-	BOLT HHCS 5/16-18 UNC x 1
10	2	-	BOLT BHCS 3/8-16 UNC x 1
11	2	-	NYLON LOCK NUT 3/8-16 UNC

Section V - PARTS

6-SPOOL CONTROL STATION



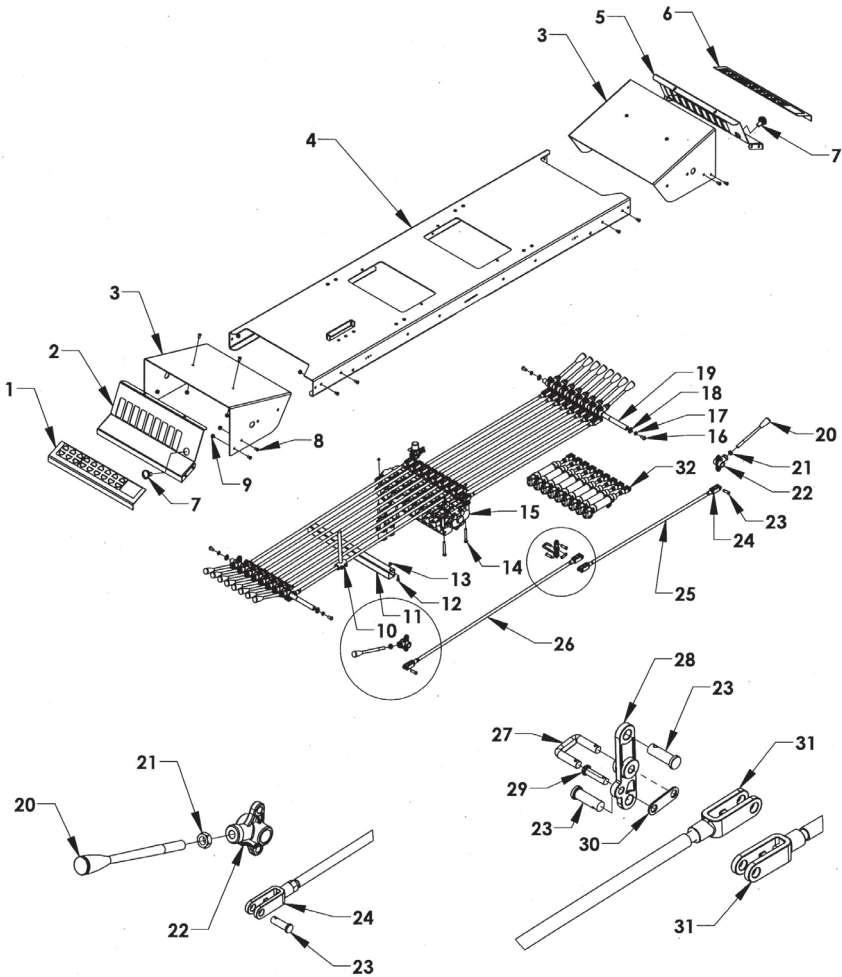
Section V - PARTS

6-SPOOL CONTROL STATION

REF. NO.	NO. REQ'D	PART NUMBER	DESCRIPTION
1	1	18212L/18214L	5 SPOOL/6 SPOOL CONTROL PLACARD-LEFT
2	1	18126L	CONTROL PANEL - LEFT
3	1	181273L	CONTROL HOOD - LEFT
4	23		NYLON LOCK NUT 5/16-18 UNC
5	16		BOLT, BUTTON HEAD 5/16-18 UNC x 5/8
6	1	181286W	CONTROL BOX ARM WELDMENT - 79.5 IN.
7	1	181273R	CONTROL HOOD - RIGHT
8		18126R	CONTROL PANEL - RIGHT
9	1	18212R/18214R	5 SPOOL/6 SPOOL CONTROL PLACARD - RIGHT
10	1	0320031	CONTROL LIGHT - 2 WIRE
11	2	0320048-GR	GREEN CONTROL HANDLE
	4	0320048-BL	BLUE CONTROL HANDLE
	2	0320048-RD	RED CONTROL HANDLE
	4	0320048-GY	GREY CONTROL HANDLE
12	12		JAM NUT 1/2-13 UNC ZINC PLATE
13	12	7A1155	CONTROL HANDLE PIVOT BASE
14	12	84530	CLEVIS - RIGHT HAND THREAD
15	24	84620	CLEVIS PIN, 3/8 x 1-1/8
16	6	7A528W	CONTROL ROD 28-1/2
17	6	7A538W	CONTROL ROD 37-3/4
18	2	7A5753-17	CONTROL HANDLE CROSS ROD 3/4 x 17
19	4	86075E	SNAP RING 3/4 EXTERNAL
20	4		LOCK WASHER 3/8
21	4		BOLT, BUTTON HEAD 3/8-16 UNC x 3/4
22	4		BOLT, HHCS 1/4-20 UNC x 3/4
23	4		NYLON LOCK NUT 1/4-20 UNC
24	1	0809904	ANTI-TILT CONTROL ROD WELDMENT
25	3		BOLT, HHCS 5/16 -18 UNC x 2-3/4
26	1	74116	VALVE BODY GRESSEN 6 SPOOL
27	6	7A010LINK	CLEVIS LINK
28	12	84540	CLEVIS - LEFT HAND THREAD
29	6	7A121	BELL CRANK
30	6	7A010LINKPLATE	CLEVIS LINK PLATE
31	6	84610	CLEVIS PIN, 1/4 x 15/16
32	6	PC32B50	AIR CYLINDER - 2 IN. STROKE

Section V - PARTS

9-SPOOL CONTROL STATION



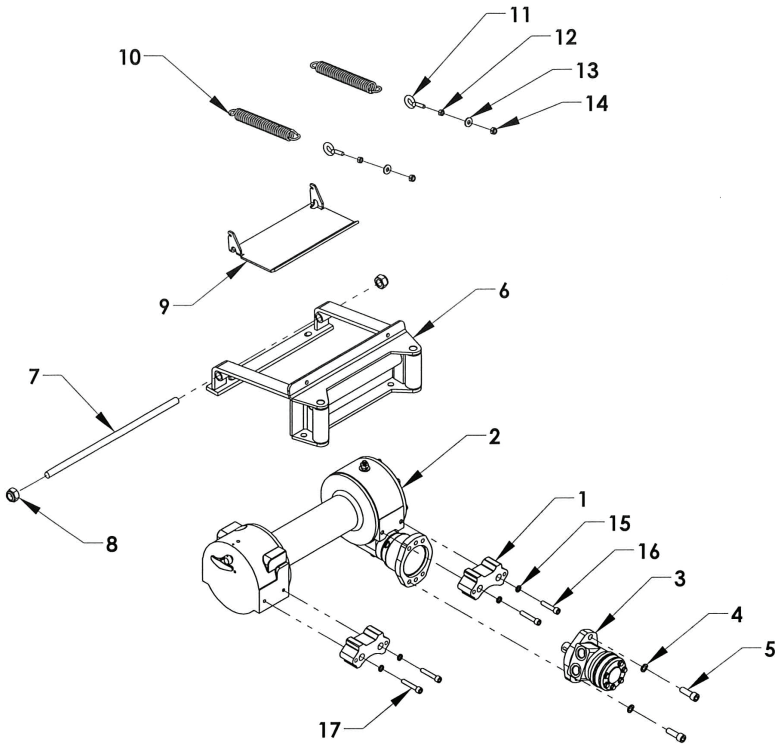
Section V - PARTS

9-SPOOL CONTROL STATION

REF. NO.	NO. REQ'D	PART NUMBER	DESCRIPTION
1	1	18219L	CONTROL PLACARD - LEFT
2	1	18142L	CONTROL PANEL - LEFT
3	2	18141	CONTROL HOOD
4	1	181289W	CONTROL BOX ARM WELDMENT - 79.5 IN.
5	1	18142R	CONTROL PANEL - RIGHT
6	1	18219R	CONTROL PLACARD - RIGHT
7	2	0320031	CONTROL LIGHT 2 WIRE
8	20		BOLT, BUTTON HEAD 5/16-18 UNC x 5/8
9	23		NYLON LOCK NUT 5/16-18 UNC
10	1	0809904	ANTI-TILT CONTROL ROD WELDMENT
11	1	18336	CONTROL STATION WIRE TUBE
12	4		BOLT, HHCS 1/4-20 UNC x 3/4
13	4		NYLON LOCK NUT 1/4-20 UNC
14	3		BOLT, HHCS 5/16 -18 UNC x 2-3/4
15	1	74119	VALVE BODY GRESEN 9 SPOOL
16	4		BOLT, BUTTON HEAD 3/8-16 UNC x 3/4
17	4		LOCK WASHER - 3/8
18	4	86075E	SNAP RING 3/4 EXTERNAL
19	2	7A5753-20	CROSS ROD 3/4 X 20-3/4
20	6	0320048-BL	BLUE CONTROL HANDLE
	6	0320048-RD	RED CONTROL HANDLE
	2	0320048-GR	GREEN CONTROL HANDLE
	4	0320048-GY	GRAY CONTROL HANDLE
21	18		JAM NUT 1/2-13 UNC ZINC PLATED
22	18	7A1155	CONTROL HANDLE PIVOT BASE
23	36	84620	CLEVIS PIN - 3/8 x 1-1/8
24	18	84530	CLEVIS - RIGHT HAND THREAD
25	9	7A528W	CONTROL ROD 28-1/2
26	9	7A538W	CONTROL ROD 37-3/4
27	9	7A010LINK	CLEVIS LINK
28	9	7A121	BELL CRANK
29	9	84610	CLEVIS PIN, 1/4 x 15/16
30	9	7A010LINKPLATE	CLEVIS LINK PLATE
31	18	84540	CLEVIS - LEFT HAND THREAD
32	9	PC32B50	AIR CYLINDER - 2 IN. STROKE

Section V - PARTS

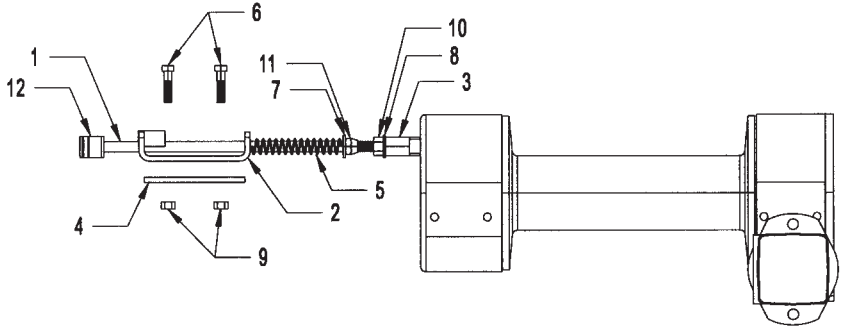
RAMSEY H234 WINCH GROUP



REF	PART #	DESCRIPTION	QPU
1	31A05	RAMSEY WINCH MOUNTING ADAPTOR BLOCK	2
2	71104	RAMSEY WINCH - 8,000 LBS. 11 INCH DRUM	1
	71104A	RAMSEY WINCH - 8,000 LBS. 11 INCH DRUM, AIRSHIFT	1
3	71901	RAMSEY WINCH MOTOR	1
4	82320	LOCK WASHER 1/2 ZINC PLATED	2
5	81430	BOLT 1/2-13 UNC x 1-1/2 ZINC PLATED	2
6	A90140	ROLLER GUIDE	1
7	A9020	TENSION PLATE HINGE PIN	1
8	83411	NYLON LOCK NUT 5/8-11 UNC ZINC PLATED	2
9	A9021	TENSION PLATE, 8 INCH DRUM	1
10	A9018S	TENSION SPRING 40 LB/INCH	2
11	81180	EYE-BOLT 5/16-18 UNC x 1 ZINC PLATED	2
12	82110	FLAT WASHER 5/16 ZINC PLATED	2
13	83125	NYLON LOCK NUT 5/16-18 UNC ZINC PLATED	2
14	83120	NUT 5/16-18 UNC ZINC PLATED	2
15	82220	LOCK WASHER 3/8 ZINC PLATED	4
16	81243	SOCKET HEAD CAP SCREW 3/8-16 UNC x 1-3/4 SS	1
17	81244	SOCKET HEAD CAP SCREW 3/8-16 UNC x 2 SS	

Section V - PARTS

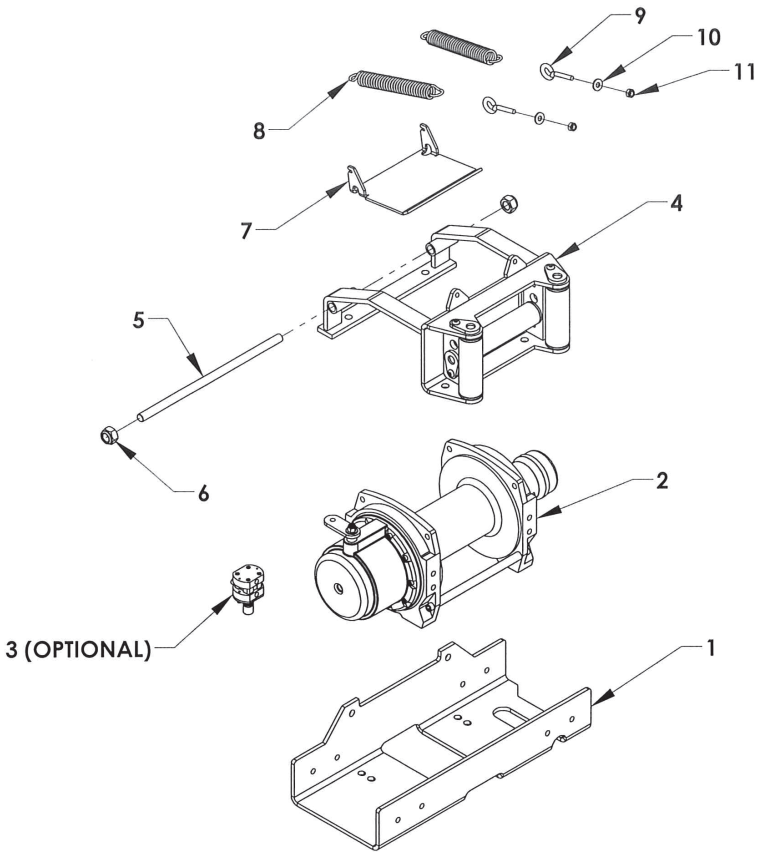
RAMSEY WINCH CLUTCH HANDLE



REF	PART #	DESCRIPTION	QPU
	71810A	WINCH CLUTCH ASSEMBLY	
1	71810	REMOTE CLUTCH ROD	1
2	71811	REMOTE CLUTCH MOUNTING BRACKET	1
3	71812	1/2-13 UNC COUPLING	1
4	71813	1/4 UHMW SHIM (FOR STEEL CARRIERS)	1
5	71815	REMOTE CLUTCH SPRING	1
6	81243	3/8 x 1-3/4 UNC BOLT	2
7	82310	1/2 FLAT WASHER	1
8	82320	1/2 LOCK WASHER	1
9	83211	3/8-13 UNC NYLON LOCK NUT	2
10	83311	1/2-13 UNC NUT	1
11	83321	1/2-13 UNC NYLON LOCK NUT	1
12	88105	T-HANDLE	1
	84665	5/32 x 1 PLATED ROLL PIN	1

Section V - PARTS

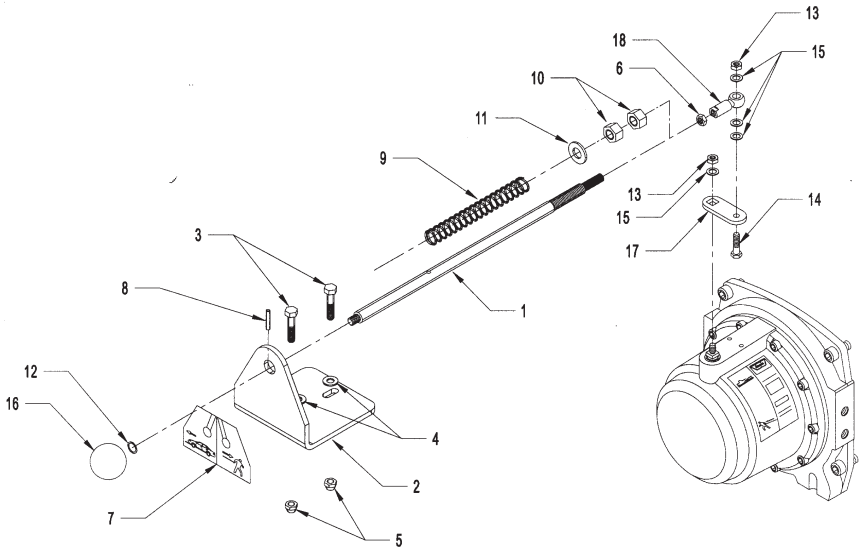
WARN WINCH GROUP



REF	PART #	DESCRIPTION	QPU
1	31025	WARN WINCH MOUNTING PLATE	1
2	71109	WARN WINCH - 9,000 LBS. 8 INCH DRUM, OVERWIND	1
	71112	WARN WINCH - 12,000 LBS. 8 INCH DRUM, OVERWIND	1
	71115	WARN WINCH - 15,000 LBS. 8 INCH DRUM, OVERWIND	1
3	71885	AIR-SHIFT CLUTCH CYLINDER	1
4	A90209	ROLLER GUIDE	1
5	A9008	TENSION PLATE HINGE PIN	1
6	83411	NYLON LOCK NUT 5/8-11 UNC ZINC PLATED	2
7	A9009N	TENSION PLATE, 8 INCH DRUM	1
8	A9018S	TENSION SPRING 40 LB/INCH	2
9	81181	EYE-BOLT 5/16-18 UNC x 2 ZINC PLATED	2
10	82110	FLAT WASHER 5/16 ZINC PLATED	2
11	83125	NYLON LOCK NUT 5/16-18 UNC ZINC PLATED	2

Section V - PARTS

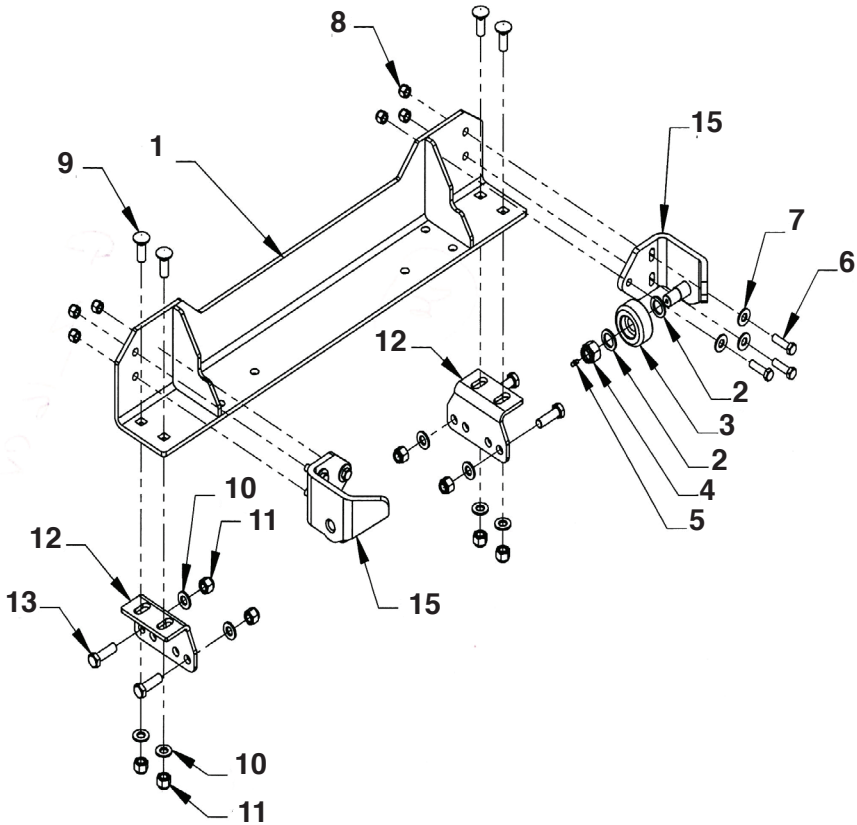
WARN WINCH REMOTE CLUTCH-71870P



REF	PART #	DESCRIPTION	QPU
1	71873	REMOTE CLUTCH ROD	1
2	71874	REMOTE HANDLE BRACKET	1
3	81122	5/16-18 UNC x 1-1/2 BOLTS	2
4	82130	5/16 FLAT WASHER	2
5	83125	5/16-18 UNC NYLON LOCK NUT	2
6	83215	3/8-24 UNF NUT	1
7	AA870	HANDLE BRACKET DECAL	1
8	84680	3/16 x 1 SPLIT PIN	1
9	71875	SPRING	1
10	83310	1/2-13 UNC NUT	2
11	82310	1/2 FLAT WASHER	1
12	82220	3/8 STAR WASHER	1
13	83211	3/8-16 UNC NYLON LOCK NUT	2
14	81240	3/8-16 UNC x 1-1/2 BOLT	1
15	82210	3/8 FLAT WASHER	4
16	718731	CLUTCH ROD KNOB	1
17	71872	CLUTCH SHIFTER PLATE	1
18	718732	BALL JOINT ROD END	1

Section V - PARTS

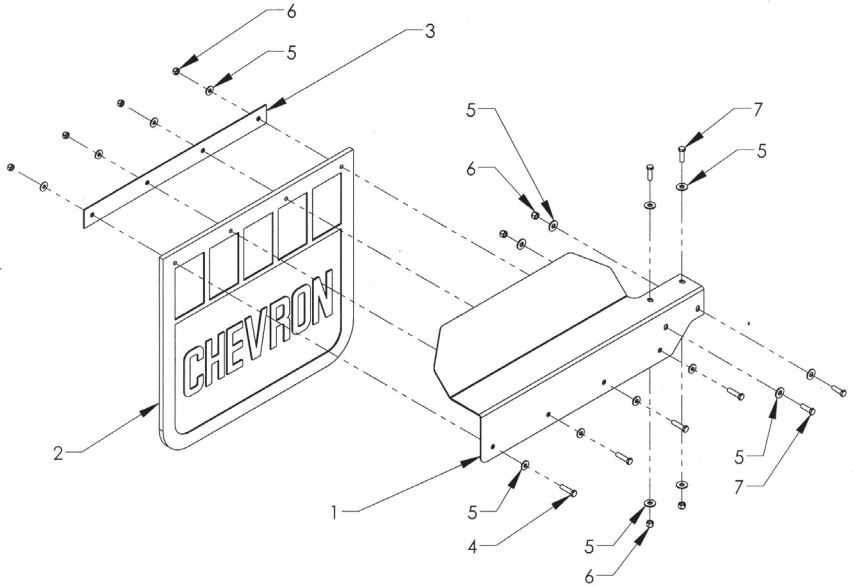
BODY LOCK



REF	PART #	DESCRIPTION	QPU
1	0809928	SERIES 10/20/30 G2 ROLLER BED LOCK	1
2	-	FLAT WASHER 1.00	4
3	36310	ROLLER WHEEL	2
4	-	NYLON LOCK NUT 7/8-14 UNF	2
5	7B130	GREASE FITTING 1/4-28	2
6	-	BOLT, HHCS 1/2-20 UNF x 1-3/4	6
7	-	FLAT WASHER 1/2 IN.	6
8	-	NYLON LOCK NUT 1/2-20 UNF	6
9	-	CARRIAGE BOLT 5/8-11 UNC x 1-3/4	4
10	-	FLAT WASHER 5/8	8
11	-	NYLON LOCK NUT 5/8-11 UNC	8
12	0809183	BODY LOCK MOUNTING BRACKET	2
13	-	BOLT, HHCS 5/8-11 UNC x 2 GRADE 5	4
14	36315L	BODY LOCK HOLD-DOWN - LEFT	1
15	36315R	BODY LOCK HOLD DOWN - RIGHT	1

Section V - PARTS

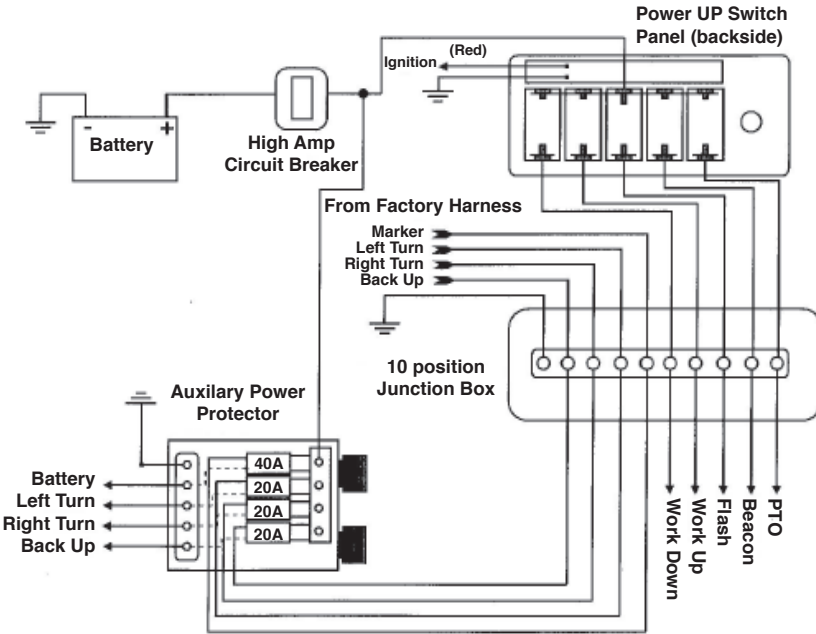
MUDFLAP COMPONENTS



REF	PART #	DESCRIPTION	QPU
1	0751034L	MUDFLAP MOUNTING BRACKET (LH)	1
	0751034R	MUDFLAP MOUNTING BRACKET (RH)	1
2	A1027	MUDFLAP 24 x 24	1
3	0750340	MUDFLAP SUPPORT BAR	1
4		BOLT HHCS 3/8-16 UNC x 1-1/2	4
5		3/8 FLAT WASHER	16
6		3/8-16 NYLON LOCK NUT	16
7		BOLT HHCS 3/8-16 UNC x 1-1/4	4

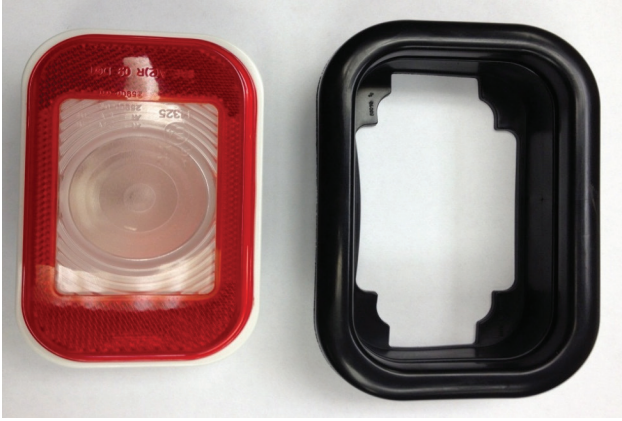
Section V - PARTS

OPTIONAL DASHBOARD PANEL

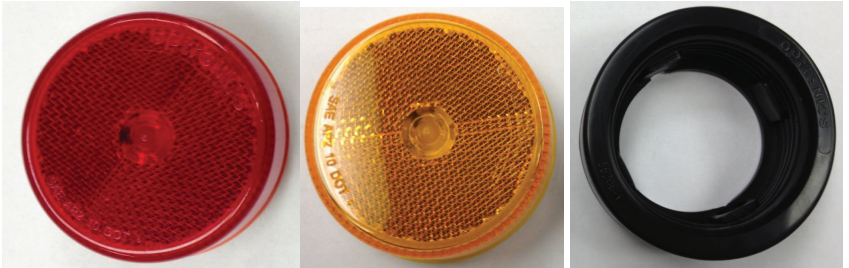


Section V - PARTS

LIGHT KIT



REF. NO.	PART NUMBER	DESCRIPTION
1	0311510	RECTANGULAR REFLEX BACK UP
1	0311511	RECTANGULAR REFLEX BACK UP GROMMET



REF. NO.	PART NUMBER	DESCRIPTION
1	0311512	LIGHT 2.5" RED REFLEX LED (MCL59RB)
2	0311513	LIGHT 2.5" AMBER REFLEX LED (MCL59AB)
3	0311516	LIGHT 2.5" GROMMET

Section V - PARTS

LIGHT KIT



REF. NO.	PART NUMBER	DESCRIPTION
1	0311514	LIGHT 2.5" ROUND CLEAR/RED LED MARKER LIGHT
2	0311515	LIGHT 2.5" ROUND CLEAR/AMBER LED MARKER LIGHT
3	3011516	LIGHT 2.5" GROMMET



REF. NO.	PART NUMBER	DESCRIPTION
1	97300	CONTROL STATION LIGHT

Section V - PARTS

LIGHT KIT



REF. NO.	PART NUMBER	DESCRIPTION
1	0311519	RED 3/4 LED ICC LIGHT



REF. NO.	PART NUMBER	DESCRIPTION
1	0311520	RED 3/4 LED LIGHT

Section V - PARTS

LIGHT KIT



REF. NO.	PART NUMBER	DESCRIPTION
1	0311521	AMBER 3/4 ROUND LED LIGHT



REF. NO.	PART NUMBER	DESCRIPTION
1	0311522	CLEAR/RED 3/4 ROUND LED LIGHT



REF. NO.	PART NUMBER	DESCRIPTION
1	0311523	CLEAR/AMBER 3/4 ROUND LED LIGHT

Section V - PARTS

LIGHT KIT



REF. NO.	PART NUMBER	DESCRIPTION
1	0308359	MARKER LIGHT RED REFLEX LED



REF. NO.	PART NUMBER	DESCRIPTION
1	0308360	MARKER LIGHT AMBER REFLEX LED

Section V - PARTS

LIGHT KIT



REF. NO.	PART NUMBER	DESCRIPTION
1	074027041ACL	MILLENIUM MARKER LIGHT CLEAR/AMBER



REF. NO.	PART NUMBER	DESCRIPTION
1	174027041RCL	MELLIENUM MARKER LIGHT CLEAR/RED

Section V - PARTS

LIGHT KIT



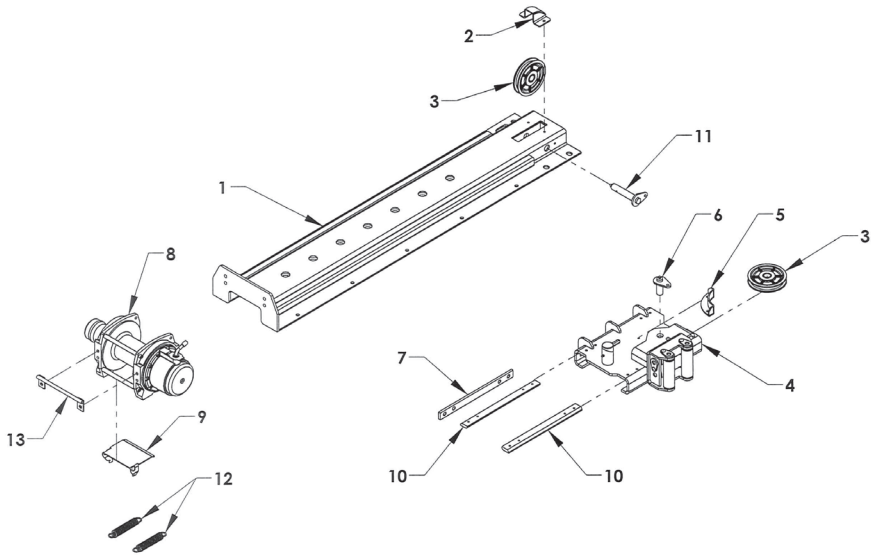
REF. NO.	PART NUMBER	DESCRIPTION
1	0308491	REFLECTOR - AMBER



REF. NO.	PART NUMBER	DESCRIPTION
1	0308490	REFLECTOR - RED

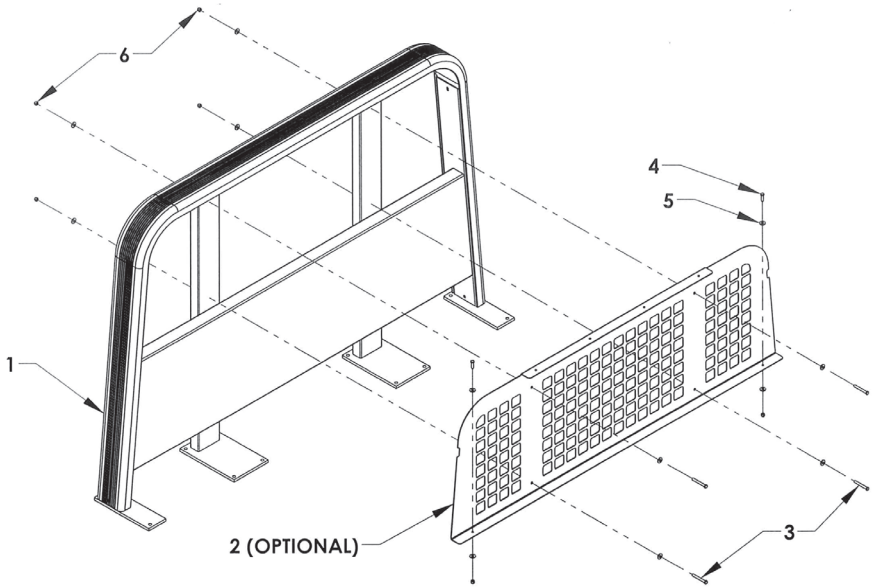
Section V - PARTS

MANUAL SLIDEWINDER (SHORT TRACK)



REF	PART #	DESCRIPTION	QPU
1	315210	SLIDE TRACK - SHORT	1
2	315225	CABLE GUIDE	1
3	69125	6 x 1 PULLEY	2
4	315310	SLIDE CARRIAGE	1
5	315325	CABLE GUIDE	1
6	315330	PULLEY PIN	1
7	315323	FRONT SLIDE PAD	1
8	711096	SERIES 9 WINCH - 6.5 INCH DRUM	1
	711126	SERIES 12 WINCH - 6.5 INCH DRUM	1
9	A90065	CABLE TENSIONER PLATE	1
10	315320	SLIDE PAD	2
11	315230	PULLEY PIN	1
12	A9018S	TENSION SPRING 40 LB/INCH	2
13	7189065	AIR LINE TRANSFER BRACKET	1

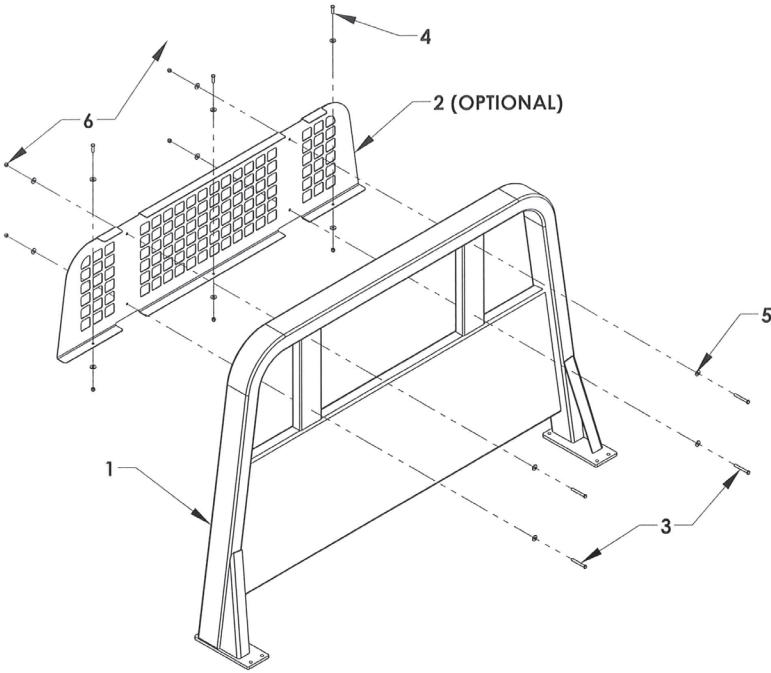
Section V - PARTS JXL CAB PROTECTOR



REF	PART #	DESCRIPTION	QPU
1	35A044	JXL CAB PROTECTOR - 44 INCHES	1
	35A046	JXL CAB PROTECTOR - 46 INCHES	1
	35A048	JXL CAB PROTECTOR - 48 INCHES	1
	35A050	JXL CAB PROTECTOR - 50 INCHES	1
	35A052	JXL CAB PROTECTOR - 52 INCHES	1
	35A056	JXL CAB PROTECTOR - 56 INCHES	1
	35A060	JXL CAB PROTECTOR - 60 INCHES	1
	2	35AS44	JXL WINDOW SCREEN PANEL - 44 INCHES
35AS46		JXL WINDOW SCREEN PANEL - 46 INCHES	1
35AS48		JXL WINDOW SCREEN PANEL - 48 INCHES	1
35AS50		JXL WINDOW SCREEN PANEL - 50 INCHES	1
35AS52		JXL WINDOW SCREEN PANEL - 52 INCHES	1
35AS56		JXL WINDOW SCREEN PANEL - 56 INCHES	1
35AS60		JXL WINDOW SCREEN PANEL - 60 INCHES	1
3	81275	BOLT 3/8-16 UNC x 3 GR 5 ZINC PLATED	4
4	81232	BOLT 3/8-16 UNC x 1-1/4 GR 5 ZINC PLATED	2
5	82210	FLAT WASHER, 3/8 ZINC PLATED	12
6	83211	NYLON LOCK NUT 3/8-16 UNC, ZINC PLATED	6

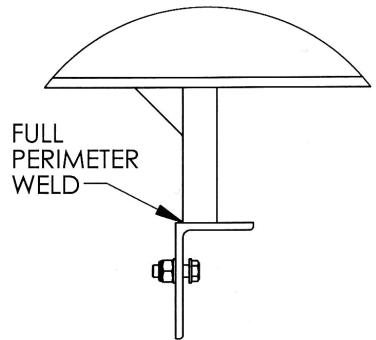
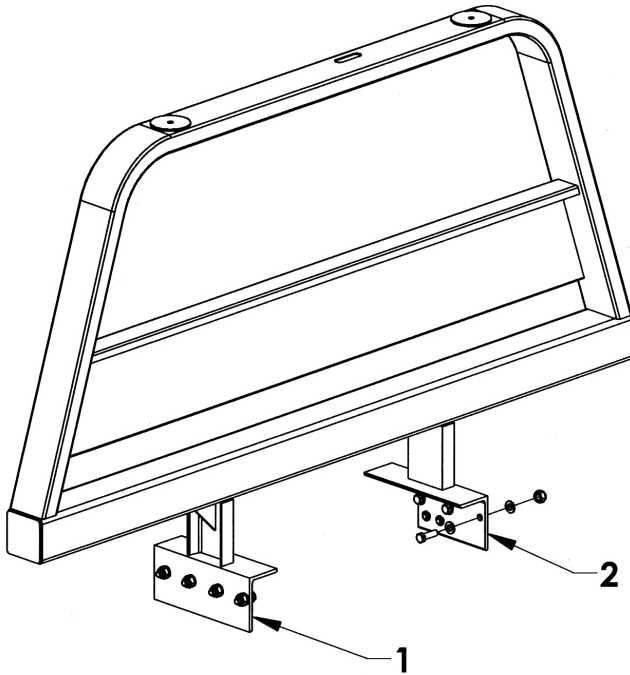
Section V - PARTS

MODEL F CAB PROTECTOR (SHORT FOOT)



REF	PART #	DESCRIPTION	QPU
1	3512046	MODEL F CAB PROTECTOR - 46 INCHES	1
	3512048	MODEL F CAB PROTECTOR - 48 INCHES	1
	3512050	MODEL F CAB PROTECTOR - 50 INCHES	1
	3512052	MODEL F CAB PROTECTOR - 52 INCHES	1
	3512056	MODEL F CAB PROTECTOR - 56 INCHES	1
	3512060	MODEL F CAB PROTECTOR - 60 INCHES	1
	3512063	MODEL F CAB PROTECTOR - 63 INCHES	1
	3512068	MODEL F CAB PROTECTOR - 68 INCHES	1
2	35246WS	MODEL F WINDOW SCREEN PANEL - 46 INCHES	1
	35248WS	MODEL F WINDOW SCREEN PANEL - 48 INCHES	1
	35250WS	MODEL F WINDOW SCREEN PANEL - 50 INCHES	1
	35252WS	MODEL F WINDOW SCREEN PANEL - 52 INCHES	1
	35256WS	MODEL F WINDOW SCREEN PANEL - 56 INCHES	1
	35260WS	MODEL F WINDOW SCREEN PANEL - 60 INCHES	1
	35263WS	MODEL F WINDOW SCREEN PANEL - 63 INCHES	1
35268WS	MODEL F WINDOW SCREEN PANEL - 68 INCHES	1	
3	81275	BOLT 3/8-16 UNC x 3 GR 5 ZINC PLATED	4
4	81232	BOLT 3/8-16 UNC x 1-1/4 GR 5 ZINC PLATED	3
5	82210	FLAT WASHER, 3/8 ZINC PLATED	14
6	83211	NYLON LOCK NUT 3/8-16 UNC, ZINC PLATED	7

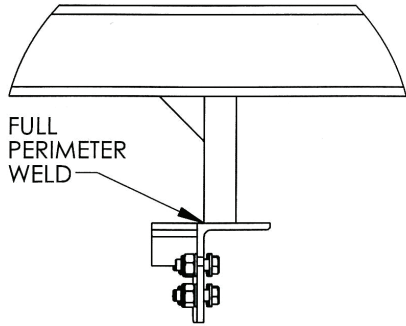
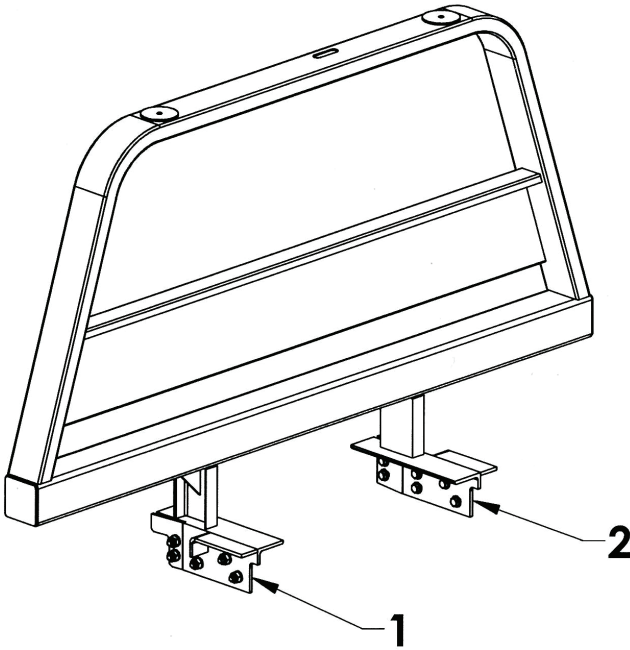
Section V-PARTS
2013 FORD FRAME MOUNTED
PYLON BRACKETS



REF	PART #	DESCRIPTION	QPU
1	0752169L	FORD F550 FMP MOUNTING ANGLE - LEFT	1
2	0752169R	FORD F550 FMP MOUNTING ANGLE - RIGHT	1
	0940177	BOLT KIT, 2013 DODGE FMP MOUNTING ANGLE	1

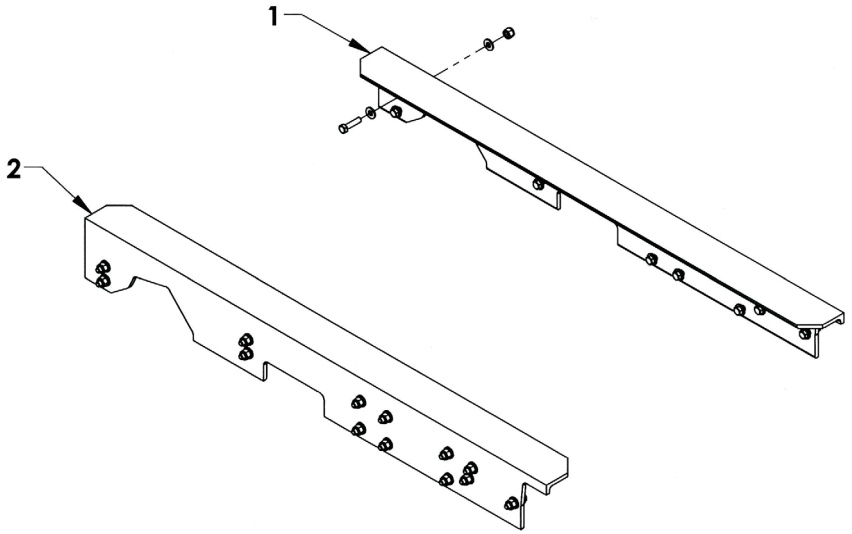
Section V-PARTS

2013 DODGE FRAME MOUNTED PYLON BRACKETS



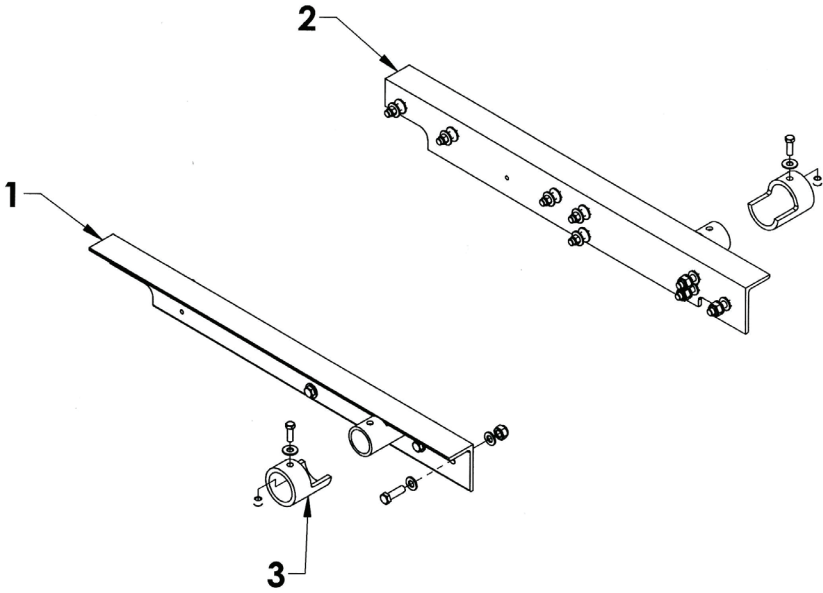
REF	PART #	DESCRIPTION	QPU
1	0811135L	DODGE FMP/BED LOCK MOUNTING ANGLE - LEFT	1
2	0811135R	DODGE FMP/BED LOCK MOUNTING ANGLE - RIGHT	1
-	0940177	BOLT KIT, 2013 DODGE FMP MOUNTING ANGLE	1

Section V - PARTS
2015 DODGE FRAME REINFORCEMENTS



REF	PART #	DESCRIPTION	QPU
1	0751990L	2015 DODGE FRAME REINFORCEMENT - LEFT	1
2	0751990R	2015 DODGE FRAME REINFORCEMENT - RIGHT	1
-	0940178	BOLT KIT, 2011 DODGE FRAME REINFORCEMENT	1

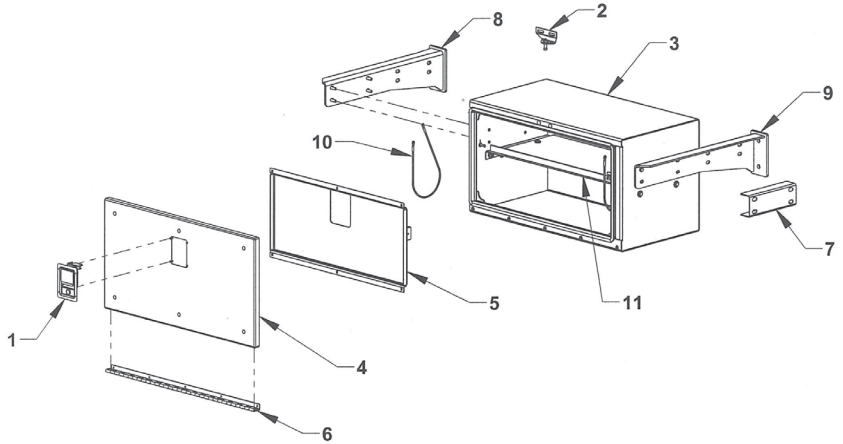
Section V - PARTS
2015 FORD FRAME REINFORCEMENTS



REF	PART #	DESCRIPTION	QPU
1	0810006L	FORD F550 FRAME REINFORCEMENT - LEFT	1
2	0810006R	FORD F550 FRAME REINFORCEMENT - RIGHT	1
3	0720391N	HELPER SPRING BUSHING - OUTER	2
4	0905062	BOLT KIT, FORD FRAME REINFORCEMENT	1

Section V - PARTS

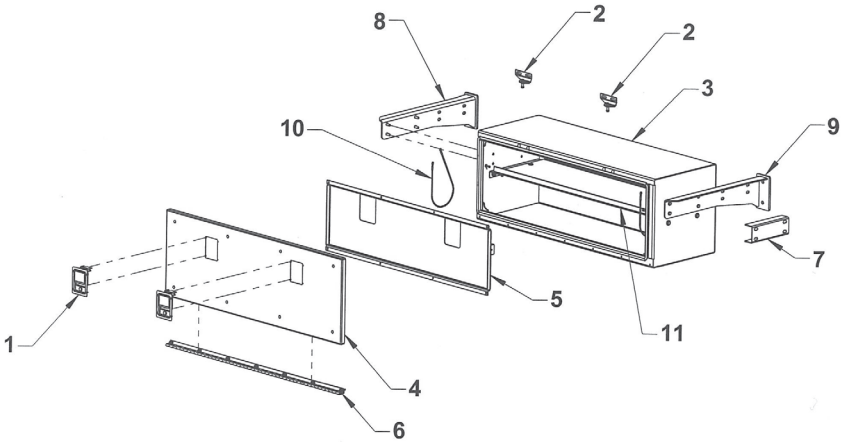
33 IN. ALUMINUM TOOLBOX - 377000



REF	PART #	DESCRIPTION	QPU
1	54658	ROTARY PADDLE LATCH	1
	54657	GASKET FOR PADDLE LATCH	1
	81111	#8-32 X 1/2 STAINLESS ONE WAY SCREW	4
	83111	#8-32 STAINLESS KEPT NUT	4
2	376183	STRIKER PIN MOUNTING PLATE	1
	54659	STRIKER PIN	1
	81115	STAINLESS CARRIAGE BOLT 5/16-18 x 3/4	2
	82110	FLAT WASHER 5/16	4
	82130	LOCK WASHER 5/16	2
	83110	NUT 5/16-18	2
	83125	NYLON LOCK NUT 5/16-18	1
	3	377100W	BOX WELDMENT
4	37741	DOOR WELDMENT	1
	37740	DOOR ASSEMBLY	1
	81100	STAINLESS CARRIAGE BOLT 1/4-20 x 3/4	6
	83105	NYLON LOCK NUT 1/4-20	6
	5	37744	DOOR REINFORCEMENT
6	37735	HINGE	1
	811014	SS SOCKET BUTTON HEAD BOLT 1/4-20 x 7/8	2
	811012	SS SOCKET BUTTON HEAD BOLT 1/4-20 x 3/4	3
	811010	SS SOCKET BUTTON HEAD BOLT 1/4-20 x 5/8	5
	83105	NYLON LOCK NUT 1/4-20	10
7	37760	TANDEM BOX SPACER CHANNEL (OPTIONAL)	1
8	37855L	TANK AND TOOLBOX MOUNTING BRACKET-LEFT	1
9	37855R	TOOLBOX MOUNTING BRACKET-RIGHT	1
10	5A221	LANYARD-21 INCH	2
11	37770	SHELF	1

Section V - PARTS

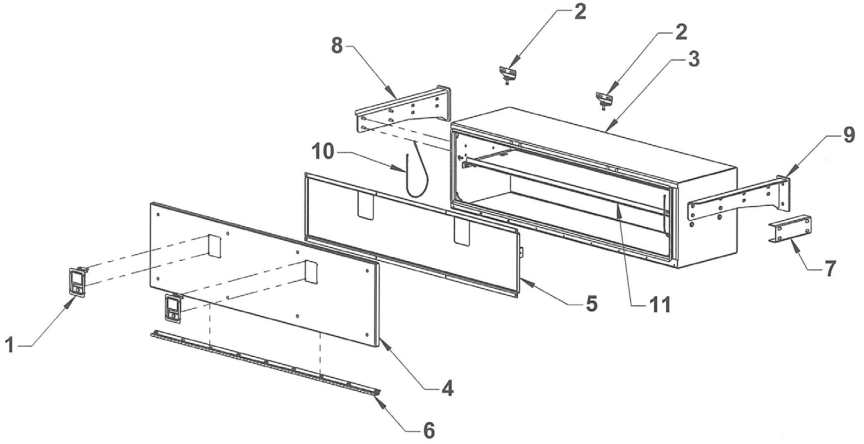
49 IN. ALUMINUM TOOLBOX - 378000



REF	PART #	DESCRIPTION	QPU
1	54658	ROTARY PADDLE LATCH	1
	54657	GASKET FOR PADDLE LATCH	1
	81111	#8-32 X 1/2 STAINLESS ONE WAY SCREW	4
	83111	#8-32 STAINLESS KEPT NUT	4
2	376183	STRIKER PIN MOUNTING PLATE	1
	54659	STRIKER PIN	1
	81115	STAINLESS CARRIAGE BOLT 5/16-18 x 3/4	2
	82110	FLAT WASHER 5/16	4
	82130	LOCK WASHER 5/16	2
	83110	NUT 5/16-18	2
	83125	NYLON LOCK NUT 5/16-18	1
3	378100W	BOX WELDMENT	1
4	37841	DOOR WELDMENT	1
	37840	DOOR ASSEMBLY	1
	81100	STAINLESS CARRIAGE BOLT 1/4-20 x 3/4	6
	83105	NYLON LOCK NUT 1/4-20	6
5	37844	DOOR REINFORCEMENT	1
6	37835	HINGE	1
	811014	SS SOCKET BUTTON HEAD BOLT 1/4-20 x 7/8	2
	811012	SS SOCKET BUTTON HEAD BOLT 1/4-20 x 3/4	3
	811010	SS SOCKET BUTTON HEAD BOLT 1/4-20 x 5/8	5
	83105	NYLON LOCK NUT 1/4-20	10
7	37760	TANDEM BOX SPACER CHANNEL (OPTIONAL)	1
8	37855L	TANK AND TOOLBOX MOUNTING BRACKET-LEFT	1
9	37855R	TOOLBOX MOUNTING BRACKET-RIGHT	1
10	5A221	LANYARD-21 INCH	2
11	37670	SHELF	1

Section V - PARTS

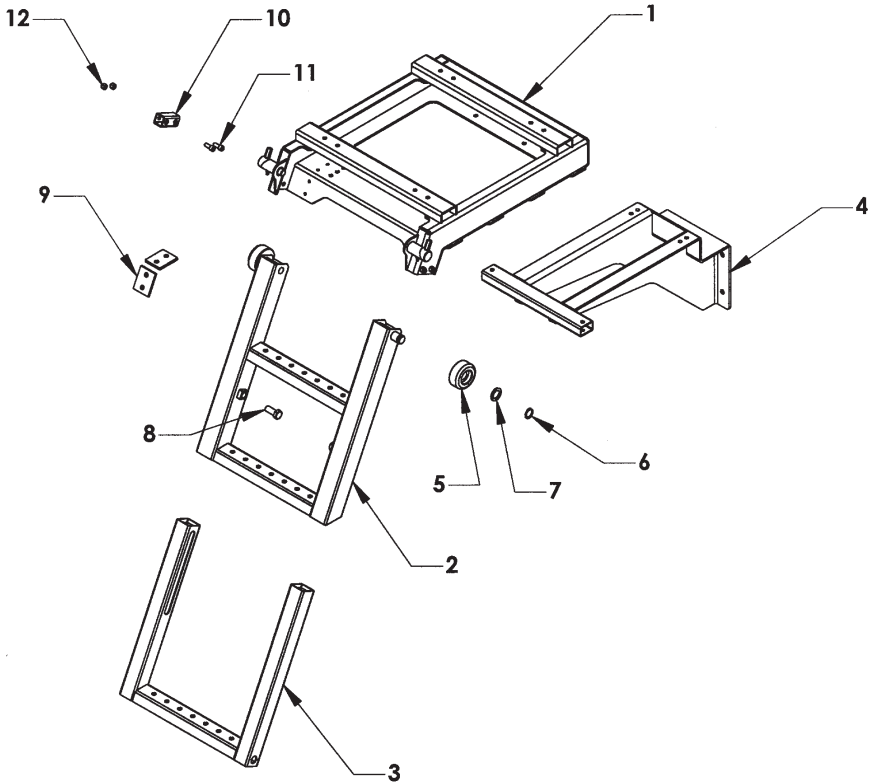
65 IN. ALUMINUM TOOLBOX - 379000



REF	PART #	DESCRIPTION	QPU
1	54658	ROTARY PADDLE LATCH	1
	54657	GASKET FOR PADDLE LATCH	1
	81111	#8-32 X 1/2 STAINLESS ONE WAY SCREW	4
	83111	#8-32 STAINLESS KEPT NUT	4
2	376183	STRIKER PIN MOUNTING PLATE	1
	54659	STRIKER PIN	1
	81115	STAINLESS CARRIAGE BOLT 5/16-18 x 3/4	2
	82110	FLAT WASHER 5/16	4
	82130	LOCK WASHER 5/16	2
	83110	NUT 5/16-18	2
	83125	NYLON LOCK NUT 5/16-18	1
3	379100W	BOX WELDMENT	1
4	37941	DOOR WELDMENT	1
	37940	DOOR ASSEMBLY	1
	81100	STAINLESS CARRIAGE BOLT 1/4-20 x 3/4	6
	83105	NYLON LOCK NUT 1/4-20	6
5	37944	DOOR REINFORCEMENT	1
6	37935	HINGE	1
	811014	SS SOCKET BUTTON HEAD BOLT 1/4-20 x 7/8	2
	811012	SS SOCKET BUTTON HEAD BOLT 1/4-20 x 3/4	3
	811010	SS SOCKET BUTTON HEAD BOLT 1/4-20 x 5/8	5
	83105	NYLON LOCK NUT 1/4-20	10
7	37760	TANDEM BOX SPACER CHANNEL (OPTIONAL)	1
8	37855L	TANK AND TOOLBOX MOUNTING BRACKET-LEFT	1
9	37855R	TANK AND TOOLBOX MOUNTING BRACKET-RGHT	1
10	5A221	LANYARD-21 INCH	2
11	37970	SHELF	1

Section V - PARTS

RETRACTABLE LADDER



REF QPU	PART #	DESCRIPTION	
	390000	LADDER ASSEMBLY	1
1	391010	LADDER CARRIAGE	1
2	391020	UPPER RUNG ASSEMBLY	1
3	391030	LOWER RUNG ASSEMBLY	1
4	391040	FRAME MOUNTING BRACKET-OPTIONAL	1
5	36310	WHEEL	2
6	86100E	RETAINING RING 1.00 EXTERNAL	2
7	82710	FLAT WASHER 1 x 1.50	2
8	391026	RETAINING BOLT 5/8-11 x 1-1/2	2
9	391018	WEAR PAD	4
10	391015	RETAINING TUBE	2
11	81221	ALLEN HEAD BOLT 3/8-16 x 1	4
12	83211	NYLON LOCK NUT 3/8-16	4