

CHEVRON



OWNER'S MANUAL

INDUSTRIAL SERIES 20 LCG

INSTALLATION, OPERATION, MAINTENANCE & PARTS

**NOTE: MANUAL including SPECIFICATIONS, subject to change without notice.
All ratings specified are based on structural factors only,
not vehicle capacities or capabilities.**

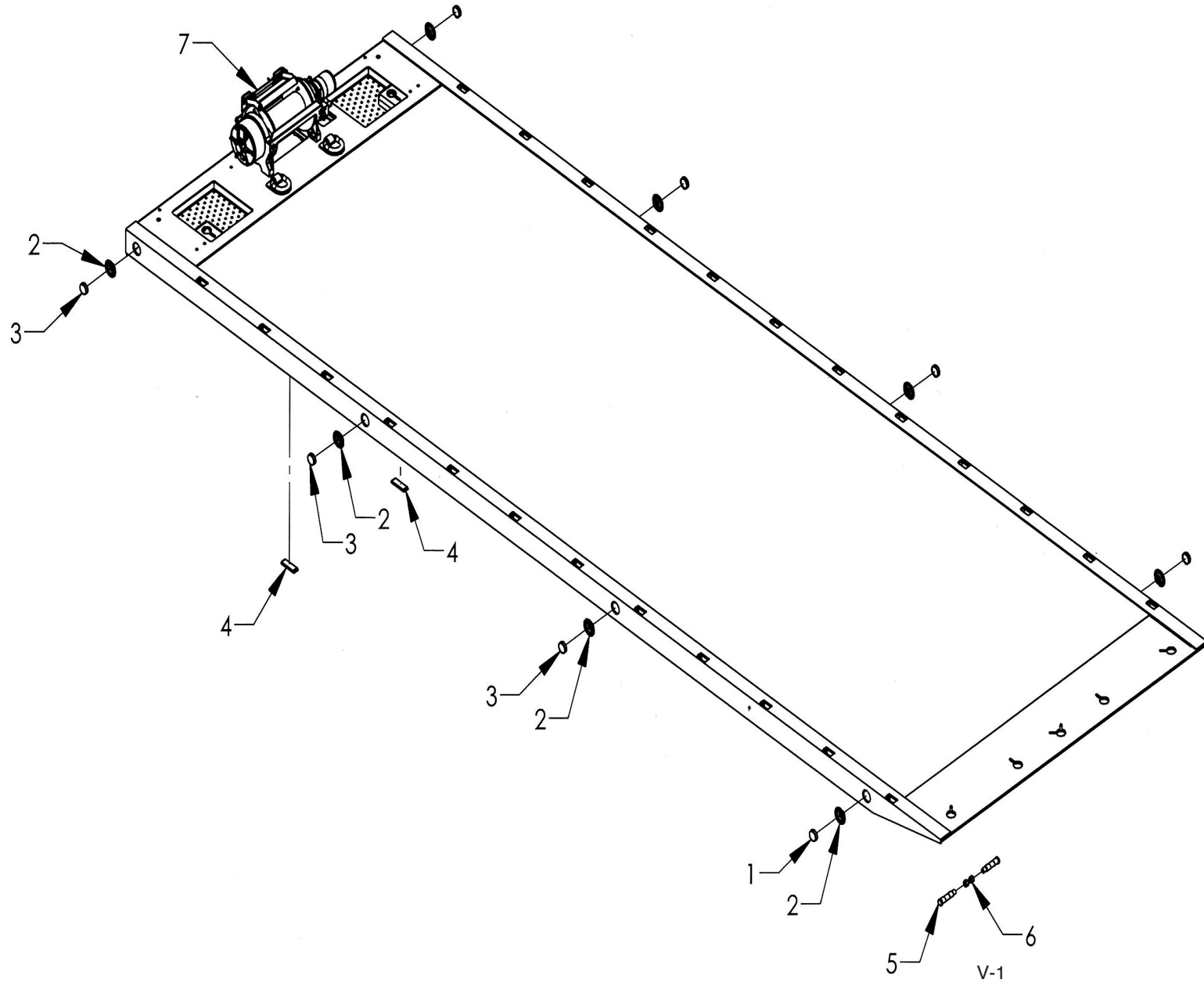
CHEVRON

Carriers & Wreckers
7320 W. Market Street
Mercer, PA 16137
Phone (724) 981-7500 • FAX (724) 981-4425
Toll Free (800) 886-6400
<http://www.chevroninc.com>

PART NO. OMC1600-LCG

Section V - PARTS

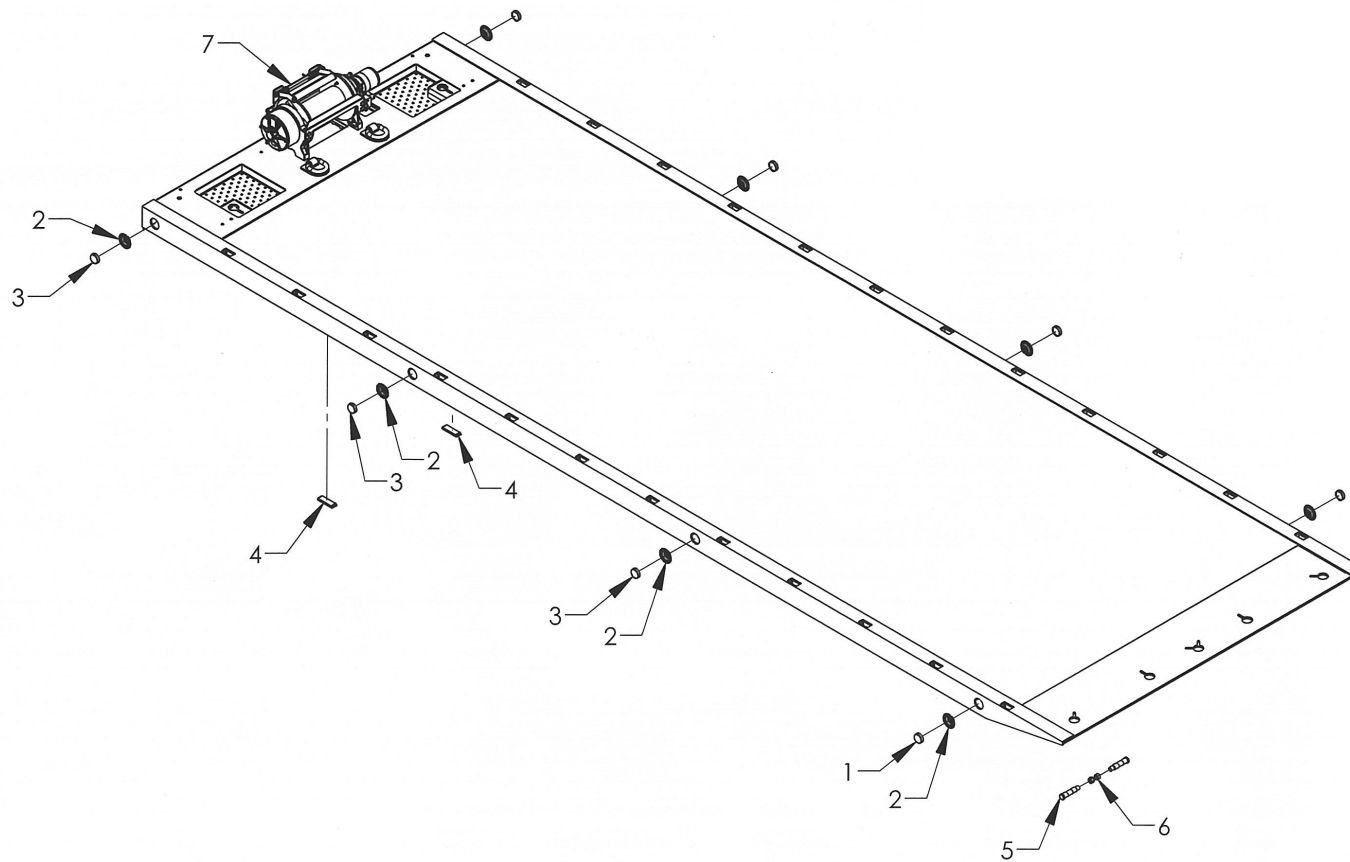
20 SERIES LCG STEEL BODY - HIGH MOUNT - 20000 LB. WINCH



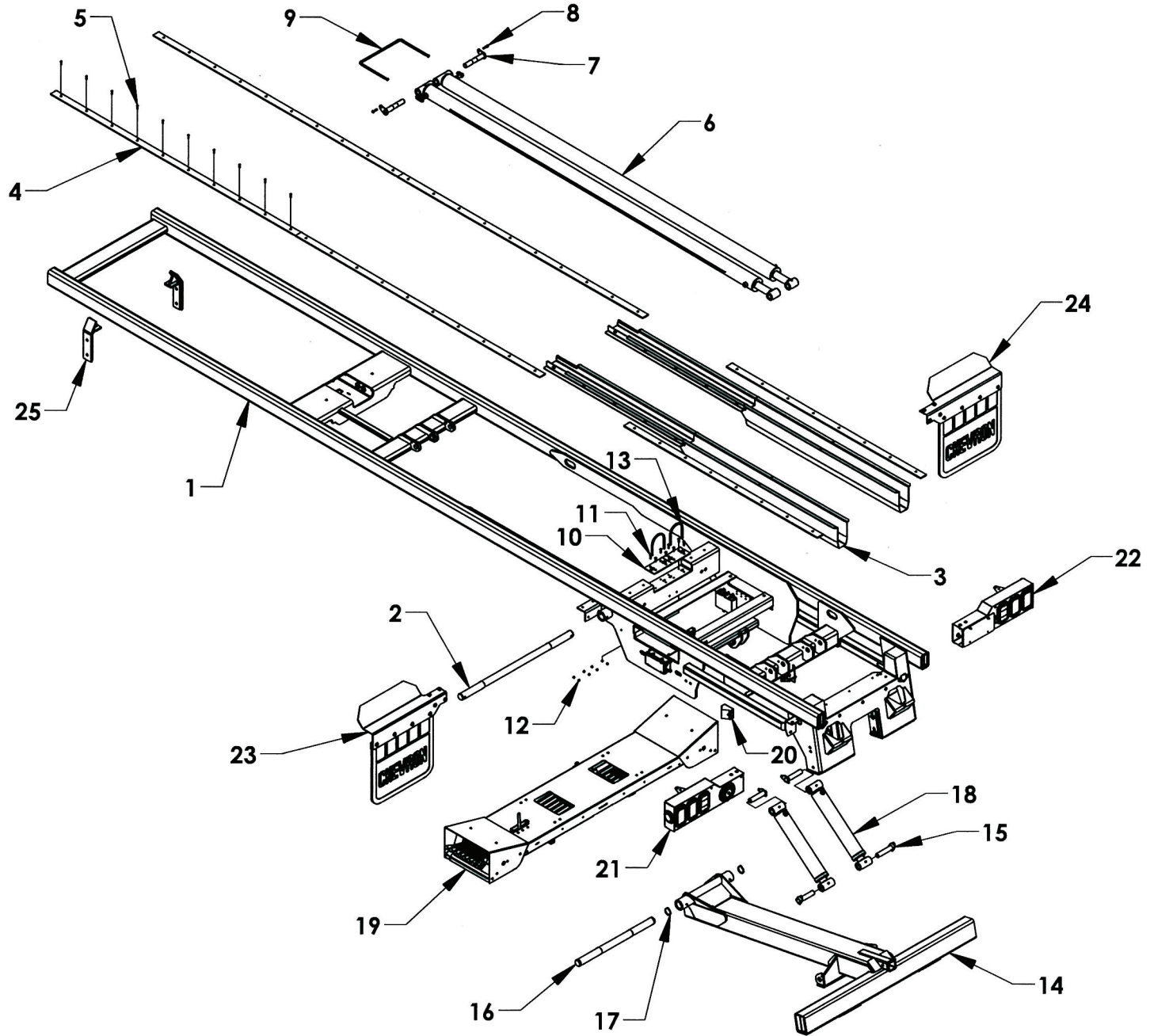
Section V - PARTS

20 SERIES LCG STEEL BODY - 12,000 - 15,000 LB. WINCH

REF	PART #	DESCRIPTION	QPU
1	93200R	RED MARKER LIGHT 2-1/2 LED	2
2	93150	MARKER LIGHT GROMMET 2-1/2	8
3	93200A	AMBER MARKER LIGHT 2-1/2 LED	6
4	33415	BEARING PAD, STEEL SILL	2
5	83611	NYLON HEX NUT 7/8-9 UNC	2
6	32116	SLIDEBACK BODY PIN	2
7	7111210	WARN 12,000 LB. PLANETARY WINCH	1
8	7111510	WARN 15,000 LB. PLANETARY WINCH	1



Section V - PARTS
SERIES 20 LCG SUBFRAME COMPONENTS



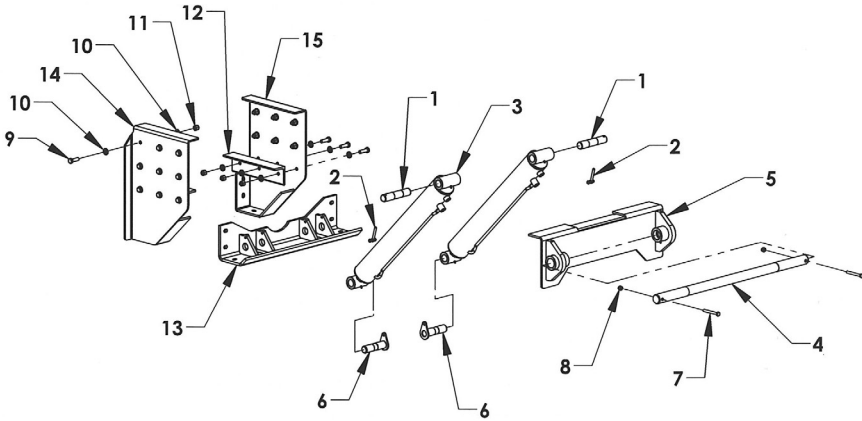
Section V - PARTS

SERIES 20 LCG SUBFRAME COMPONENTS

REF	PART #	DESCRIPTION	QPU
1	0809661-28	SERIES 20 LCG SUBFRAME	1
2	0751264	SERIES 20 LCG SUBFRAME HINGE PIN 1.975 x 43.375	1
3	0809659	SERIES 20 LCG SINGLE BAY HOSE TROUGH	2
4	0308927-96	SUBFRAME BEARING PAD 5/16 x 96	6
5	81007	BOLT - 1/4-20 x 1 COUNTERSUNK ST	10
6	72A35120	SERIES 20 LCG SLIDEBACK CYLINDER	2
7	1302720A	20 LCG SLIDEBACK CYLINDER PIN WELDMENT	2
8	-	BOLT 3/8-16 UNC x 1-1/2	2
9	72H20FT	SERIES 20 LCG SLIDEBACK CYL. FLUID PIPE ASSY.	1
10	0751223	LCG 12/16/60 SLIDEBACK CYL. SUPPORT PAD	2
11	81122	BOLT 1/4-20 UNC x 1-1/4 ALLEN COUNTERSUNK	8
12	-	NYLON LOCK NUT 1/4-20	8
13	81286	U-BOLT 3/8-16 UNC	2
14	0809673	DOCK STABILIZER	1
15	0809660	KEEPER PIN 1.25 x 5.500	4
16	143122	4K-6K UNDERLIFT HINGE PIN	.
17	86200E	2 INCH EXTERNAL SNAP-RING	2
18	72A350154	20 LCG WHEEL-LIFT LIFT CYLINDER	2
19	183126	LCG CONTROL STATION	1
20	74345A	LOCK VALVE	1
21	0809517LG2	LCG G2 TAIL LIGHT HOUSING GROUP-LEFT	1
22	0809517RG2	LCG G2 TAIL LIGHT HOUSING GROUP-RIGHT	1
23	0751024-29LG	MUDFLAP GROUP - LEFT	1
24	0751024-29RG	MUDFLAP GROUP - RIGHT	1
25	0809975	SUBFRAMME ALIGNMENT GUIDE.	2

Section V - PARTS

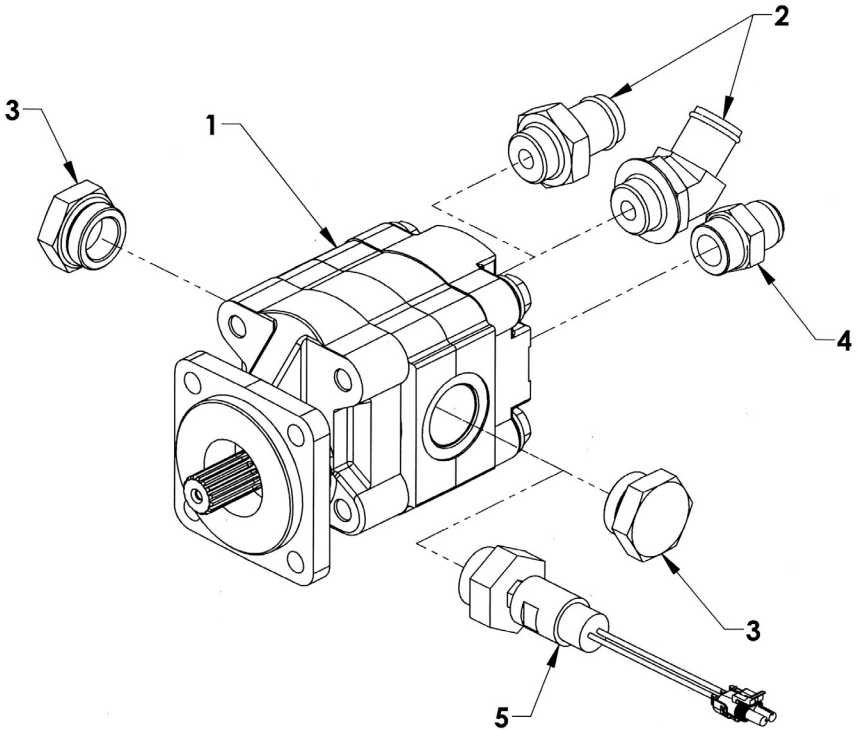
20 LCG SADDLE AND HINGE ANGLE



REF	PART #	DESCRIPTION	QPU
1	13070	PIN - TILT CYLINDER BASE	2
2	84680G	PIN-ROD END EYE KEEPER GROUP	2
3	72A400265	S20 LCG TILT CYLINDER	2
4	0751264	S20 LCG SUBFRAME HINGE PIN 1.975 x 43.375 IN.	1
5	0809642	S20 LCG TRUCK FRAME HINGE ANGLE	1
6	1A555	TILT CYLINDER ROD PIN	2
7	81455	HEX BOLT 1/2 -13 UNC x 4	2
8	83312	NYLON NUT HEX 1/2-13 UNC NYLON LOCK	2
9	81520	HEX BOLT 5/8 - 11 UNC x 2 GR5	18
10	82410	FLAT WASHER 5/8	36
11	83411	NUT 5/8-11 UNC NYLON LOCK	18
12	1A514	SADDLE MOUNTING ANGLE	2
13	1A550	LCG SADDLE CONNECTING ANGLE 20/30/40	1
14	1A510L	TILT CYLINDER SADDLE - LEFT	1
15	1A510R	TILT CYLINDER SADDLE - RIGHT	1

Section V - PARTS

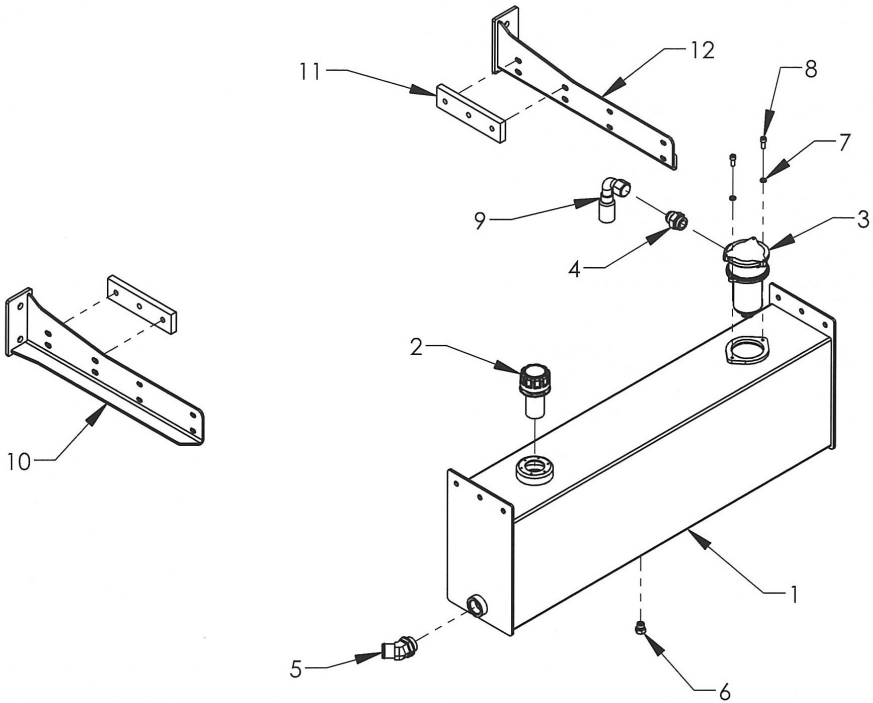
DIRECT MOUNT PUMP - 18 GPM



REF	PART #	DESCRIPTION	QPU
1	0320144	18 GPM , 1 IN.15 SPLINE SHAFT, SAE 4-BOLT FLANGE	1
2	S14604-20 x 16	#16-45 M O-RING x 1-1/4 M NIPPLE	1
	S14603- 20 x 26F	#16 M O-RING x 1-1/4 NIPPLE	1
3	77620	1-1/4 O-RING PLUG 900598-20	2
4	779A7	#16 M O-RING X 3/4 MJIC	1
5	0909434	PRESSURE TRANSDUCER (OPTIONAL)	1

Section V - PARTS

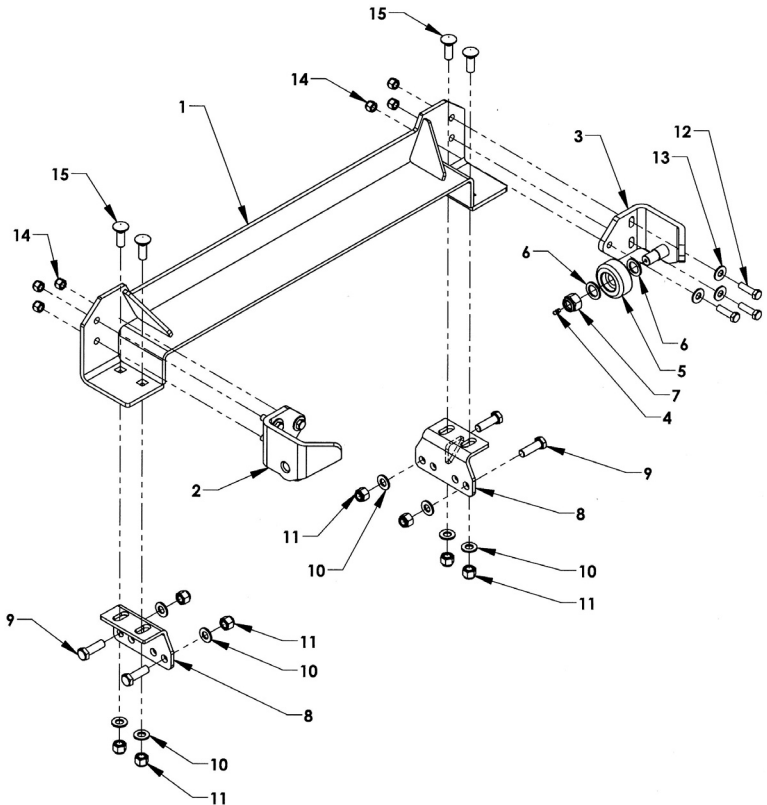
OUTBOARD 24 GALLON HYDRAULIC TANK GROUP



REF	PART #	DESCRIPTION	QPU
1	0809490	OUTBOARD 24 GALLON OIL RESERVOIR	1
2	76213G	FILLER/BREATHER CAP ASSEMBLY	1
3	76270	IN-TANK FILTER ASSEMBLY #16 SAE PORT	1
4	ADPTR202702 16x16	ADAPTOR 202702 16x16	1
5	ADPTR2061 20x24H	ADAPTOR 2061 20x24H	1
6	0403113	#8 O-RING PLUG - ADAPTOR 900598-8	1
7	82220	LOCK WASHER 3/8	2
8	81212	CAP SCREW 3/8-16 UNC x 7/8 SS	2
9	HOSEEND-16H-16JICF90	HOSE END - 16H - 16JICF90	1
10	37855R	UNV. TOOLBOX & OIL TNK MTG.BRKT-R	1
11	12826	TOOLBOX SHIM (FOR 49 IN. ALUM. BOX)	2
12	37855L	UNV. TOOLBOX & OIL TNK MTG BRKT-L	1

Section V - PARTS

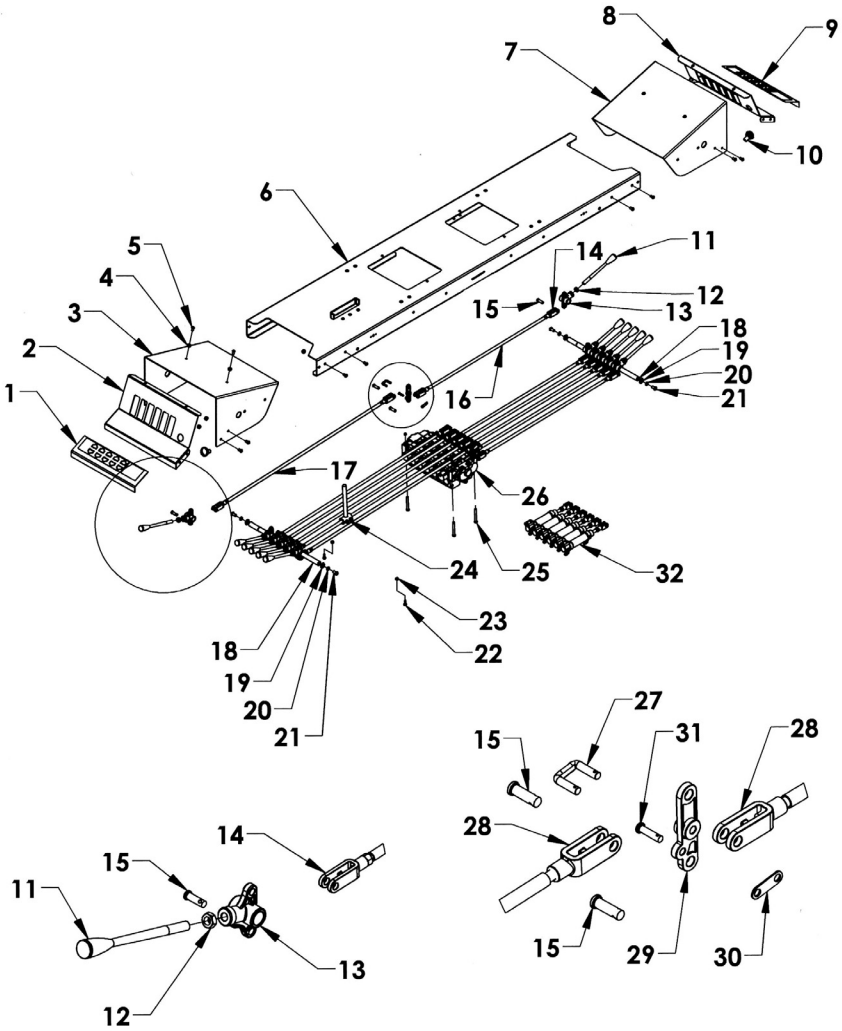
BODY LOCK ASSEMBLY - 364220K



REF. NO.	NO. REQ'D	PART NUMBER	DESCRIPTION
1	1	364220	LCG BODY LOCK WELDMENT-SETBACK CAPABLE
2	1	36315L	BODY LOCK HOLD-DOWN - LEFT
3	1	36315R	BODY LOCK HOLD-DOWN - RIGHT
4	2	7B130	GREASE FITTING 1/4-28
5	2	36310	ROLLER WHEEL
6	4		FLAT WASHER 1
7	2		NYLON LOCK NUT, 7/8-14 UNF
8	2	0809183	MOUNTING BRACKET
9	4		BOLT, 5/8-11 HHCS UNC x 2 GRADE 5
10	8		FLAT WASHER 5/8
11	8		NYLON LOCK NUT, 5/8-11 UNC
12	6		BOLT, HHCS 1/2-20 UNF x 1-1/4
13	6		FLAT WASHER, 1/2 IN.
14	6		NYLON LOCK NUT, 1/2-20 UNF
15	4		CARRIAGE BOLT 5/8-11 x 1-3/4

Section VI - PARTS

6-SPOOL CONTROL STATION



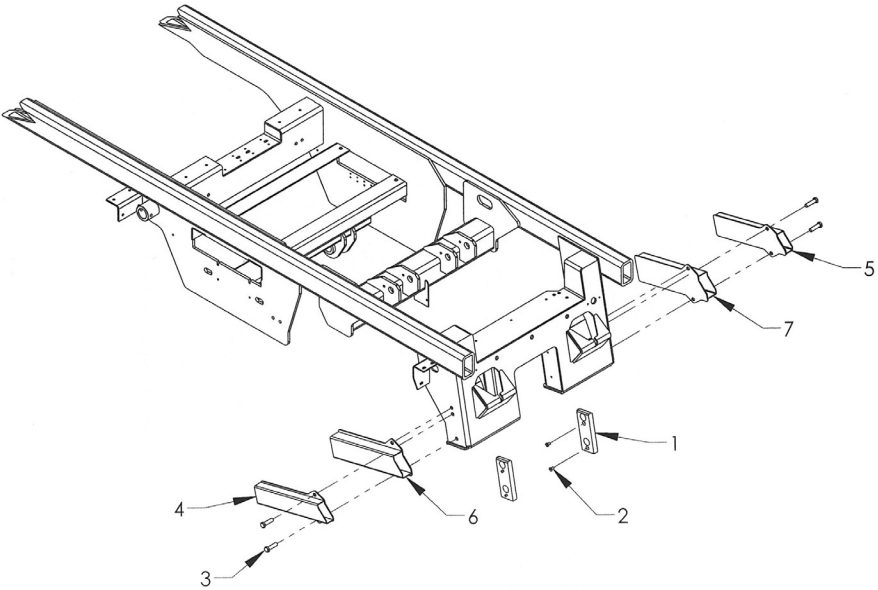
Section V- PARTS

6-SPOOL CONTROL STATION

REF. NO.	NO. REQ'D	PART NUMBER	DESCRIPTION
1	1	18212L/18214L	5 SPOOL/6 SPOOL CONTROL PLACARD-LEFT
2	1	18126L	CONTROL PANEL - LEFT
3	1	181273L	CONTROL HOOD - LEFT
4	23		NYLON LOCK NUT 5/16-18 UNC
5	16		BOLT, BUTTON HEAD 5/16-18 UNC x 5/8
6	1	181286W	CONTROL BOX ARM WELDMENT - 79.5 IN.
7	1	181273R	CONTROL HOOD - RIGHT
8		18126R	CONTROL PANEL - RIGHT
9	1	18212R/18214R	5 SPOOL/6 SPOOL CONTROL PLACARD - RIGHT
10	1	0320031	CONTROL LIGHT - 2 WIRE
11	2	0320048-GR	GREEN CONTROL HANDLE
	4	0320048-BL	BLUE CONTROL HANDLE
	2	0320048-RD	RED CONTROL HANDLE
	4	0320048-GY	GREY CONTROL HANDLE
12	12		JAM NUT 1/2-13 UNC ZINC PLATE
13	12	7A1155	CONTROL HANDLE PIVOT BASE
14	12	84530	CLEVIS - RIGHT HAND THREAD
15	24	84620	CLEVIS PIN, 3/8 x 1-1/8
16	6	7A528W	CONTROL ROD 28-1/2
17	6	7A538W	CONTROL ROD 37-3/4
18	2	7A5753-17	CONTROL HANDLE CROSS ROD 3/4 x 17
19	4	86075E	SNAP RING 3/4 EXTERNAL
20	4		LOCK WASHER 3/8
21	4		BOLT, BUTTON HEAD 3/8-16 UNC x 3/4
22	4		BOLT, HHCS 1/4-20 UNC x 3/4
23	4		NYLON LOCK NUT 1/4-20 UNC
24	1	0809904	ANTI-TILT CONTROL ROD WELDMENT
25	3		BOLT, HHCS 5/16 -18 UNC x 2-3/4
26	1	74116	VALVE BODY GRESSEN 6 SPOOL
27	6	7A010LINK	CLEVIS LINK
28	12	84540	CLEVIS - LEFT HAND THREAD
29	6	7A121	BELL CRANK
30	6	7A010LINKPLATE	CLEVIS LINK PLATE
31	6	84610	CLEVIS PIN, 1/4 x 15/16
32	6	PC32850	AIR CYLINDER - 2 IN. STROKE

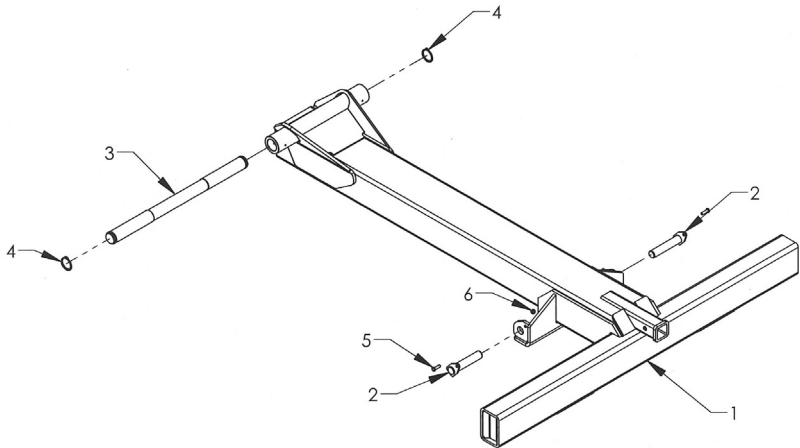
Section V - PARTS

STABILIZER COMPONENTS



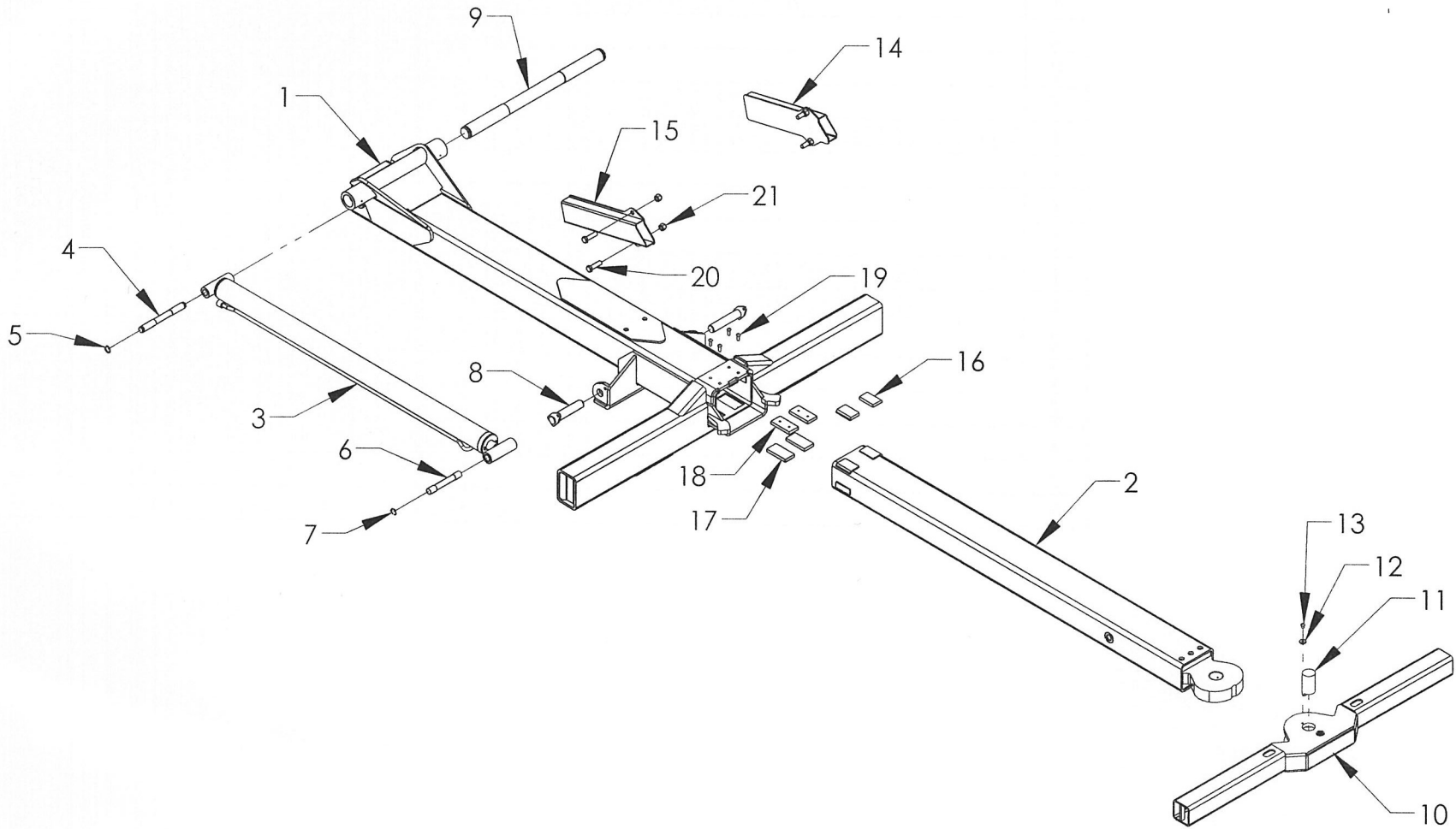
REF	PART #	DESCRIPTION	QPU
1	160526	STABILIZER WHEEL LIFT GUIDE PAD	2
2	81412	BOLT 3/8-16 UNC x 3/4 FLAT SOCKET HEAD COUNTERSUNK	4
3	81522	BOLT 5/8-11 UNC x 2-1/4	4
4	160533L	4K L-ARM STABILIZER STORAGE TUBE - LEFT	1
5	160533R	4K L-ARM STABILIZER STORAGE TUBE - RIGHT	1
6	160537L	6K L-ARM STABILIZER STORAGE TUBE - LEFT	1
7	160537R	6K L-ARM STABILIZER STORAGE TUBE - RIGHT	1

Section V - PARTS (cont'd) DOCK STABILIZER



REF	PART #	DESCRIPTION	QPU
1	0809673	DOCK STABILIZER OUTER TUBE WELDMT	1
2	0809665	KEEPER IN 1-1/4 x 6	2
3	143122	4000/6000 LB. UNDERLIFT HINGE PIN	1
4	86200E	2 INCH EXTERNAL SNAP-RING	2
5	81232	BOLT 3/8-16 UNC X 1-1/4	2
6	83211	NUT 3/8-16 UNC NYLON LOCK	2

Section V - PARTS
20 LCG 4000 LB. WHEEL LIFT GROUP



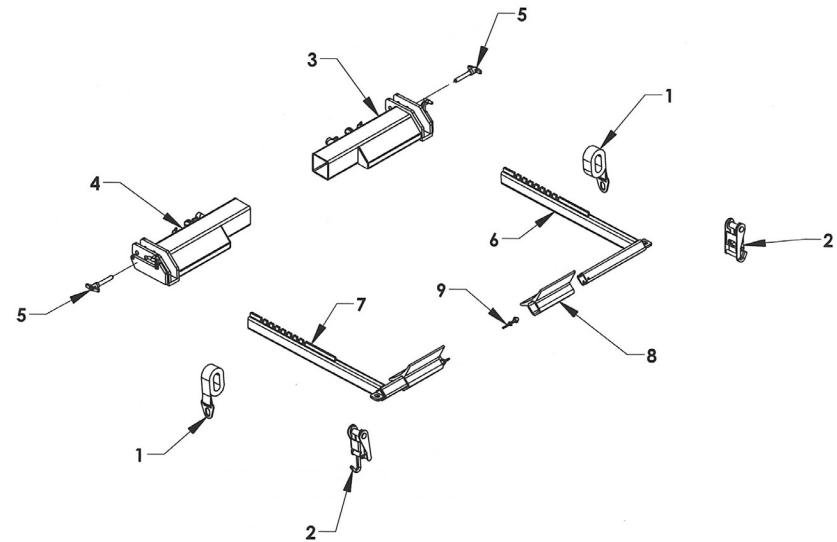
Section V - PARTS

SERIES 20 LCG 4000 LB. WHEEL LIFT GROUP

REF	PART #	DESCRIPTION	QPU
1	10260405	LCG 4000 LB. T-BOOM WELDMENT	1
2	10244	CARRIER WHEEL LIFT INNER BOOM	1
3	72127	WHEEL LIFT EXTENSION CYL. SERIES 10/14/20	1
4	729352	CARRIER WHEEL LIFT CYLINDER BASE PIN	1
5	86100E	SNAP RING 1 INCH EXTERNAL	2
6	72940	CARRIER WHEEL LIFT CYLINDER ROD PIN	1
7	86100I	SNAP RING 1 INCH INTERNAL	2
8	0809665	KEEPER PIN 1-1/4 x 6-1.8	2
9	143122	4000/6000 LB. UNDERLIFT BOOM HINGE PIN	1
10	65515	W/L CROSSBAR 4000 LB. S10/14/16/20 & 4 SERIES WRKR	1
11	65435	CROSSBAR PIVOT PIN	1
12	82212	FLAT WASHER 3/8	1
13	812A5	BOLT-BUTTON HEAD 3/8-16 UNC x 1/2	1
14	160533R	4000 LB. L-ARM STABILIZER STORAGE TUBE-RIGHT	1
15	160533L	4000 LB. L-ARM STABILIZER STORAGE TUBE-LEFT	1
16	65613	NYLATRON WEAR PAD 1/2 x 2 x 3	2
17	63595	NYLATRON WEAR PAD 1/2 x 2 x 4	2
18	63595H	NYLATRON WEAR PAD 1/2 x 2 x 4	2
19	812A9	BOLT, BUTTON HEAD 3/8-16 UNC x 1	4
20	81522	BOLT, 5/-11 UNC x 2-1/4	4
21	83411	NUT, NYLON HEX 5/8-11 UNC	4

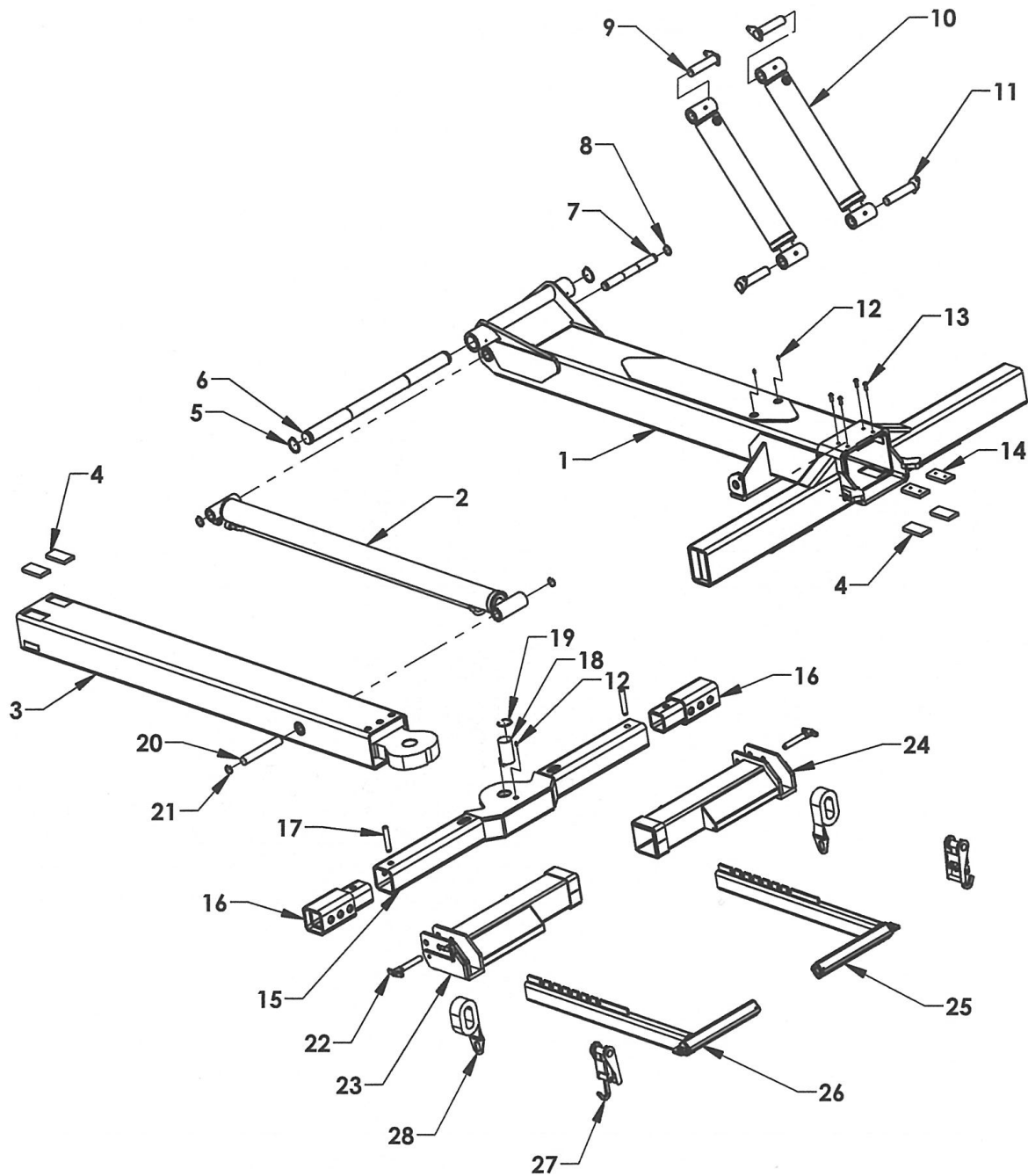
Section V - PARTS

WHEEL LIFT/RELEASABLE L-ARMS



REF	PART #	DESCRIPTION	QPU
1	65285	WHEEL STRAP	2
2	65280A	RATCHET	2
3	65267R	WHEEL GRID-RIGHT	1
4	65267L	WHEEL GRID-LEFT	1
5	84921	T-PIN WITH LANYARD	2
6	65250R	4000 LB. L-ARM RIGHT	1
7	65250L	4000 LB. L-ARM LEFT	1
8	65245	REMOVABLE PAN	2
9	84911	5/16 SAFETY SNAP PIN	2

Section V - PARTS
20 LCG 6000 LB. WHEEL LIFT GROUP

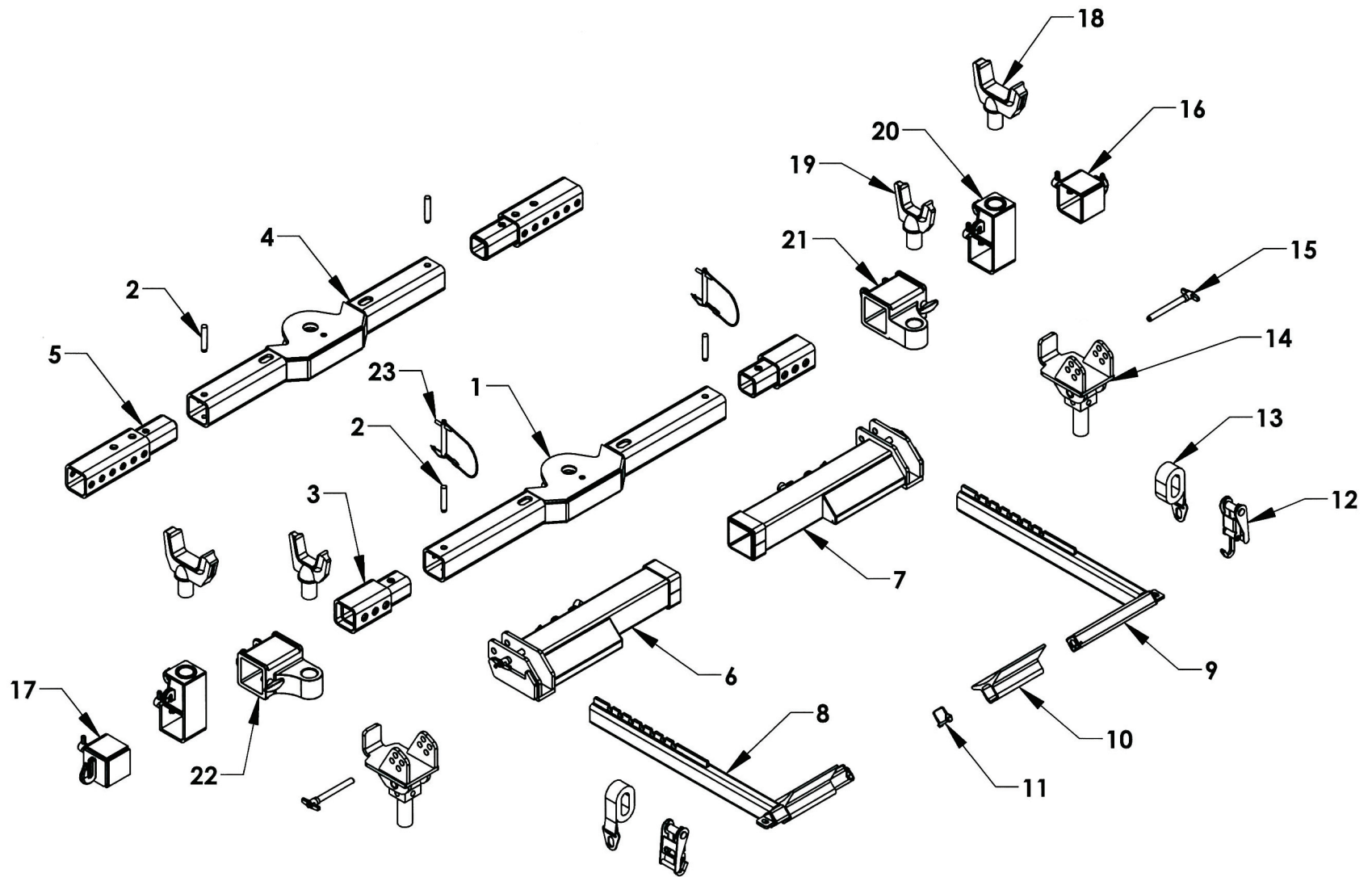


Section V - PARTS

SERIES 20 LCG 6000 LB. WHEEL LIFT GROUP

REF	PART #	DESCRIPTION	QPU
1	10260605	LCG 6000 LB. T-BOOM WELDMENT	1
2	7212730	CYLINDER-STABILIZER/WHEEL LIFT EXTENSION	1
3	10262	LCG 6000 LB. W/L INNER BOOM TUBE WELDMENT	1
4	63595	WEAR PAD NYLATRON NSM 1/2 x 2 X 4	4
5	86200E	SNAP RING - 2 IN. EXTERNAL	2
6	143122	4K/6K UNDERLIFT HINGE PIN	1
7	14313	PIN - W/L EXTENSION CYLINDER BASE END	1
8	86125E	SNAP RING - 1-1/4 IN. EXTERNAL	2
9	0806094	KEEPER PIN WELDMENT - 1.25 x 5.50	2
10	72A350154	W/L LIFT CYLINDER - LCG 20	2
11	0809660	KEEPER PIN WELDMENT - 1.25 x 5.875	4
12	7B130	GREASE FITTING - 1/4-28	3
13	-	BOLT, BHCS - 3/8-16 UNC x 1	4
14	63595H	WEAR PAD NYLATRON NSM 1/2 x 2 x 4 WITH HOLES	2
15	685102	CROSSBAR WELDMENT	1
16	68530	CROSSBAR EXTENSION	2
17	66245	CROSSBAR EXTENSION PIN	2
18	66430	CROSSBAR PIVOT PIN	1
19	86200I	SNAP RING - 2 IN. INTERNAL	1
20	14314	PIN - W/L EXTENSION CYLINDER ROD END	1
21	86125I	SNAP RING - 1/4 IN. INTERNAL	2
22	84922	T-PIN - 3/4 x 3-1/2 IN. QUICKPIN	2
23	66267L	WHEEL GRID ASSEMBLY - LEFT	1
24	66267R	WHEEL GRID ASSEMBLY - RIGHT	1
25	66250R	WHEEL RETAINER - 6000 LB - RIGHT	1
26	66250L	WHEEL RETAINER - 6000 LB - LEFT	1
27	65280A	W/L RATCHET AND HOOK ASSEMBLY	2
28	65285	WHEEL STRAP WITH D-RING - YELLOW	2

Section V - PARTS
6K/10K UNDERLIFT ATTACHMENTS

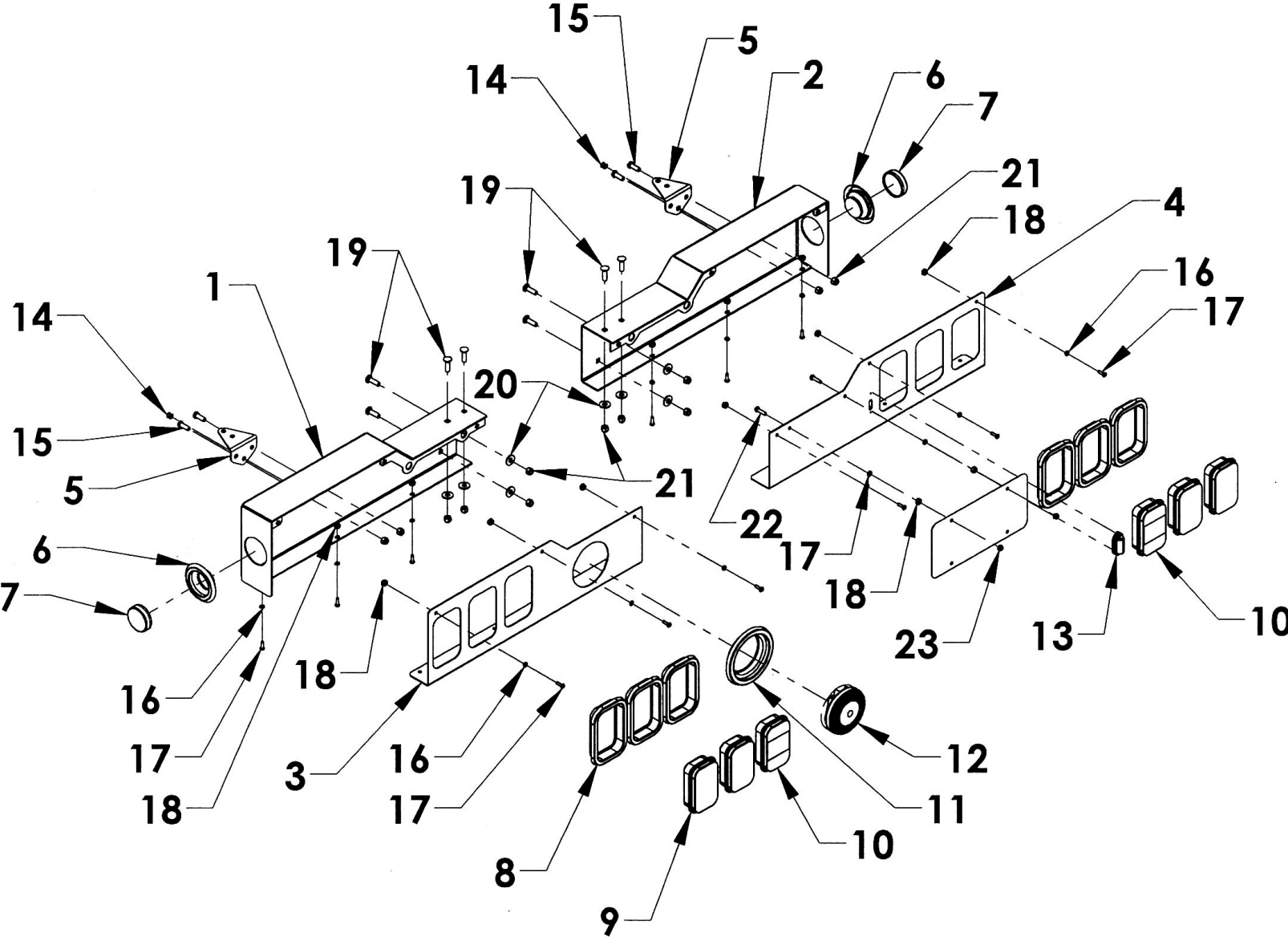


Section V - PARTS

6K/10K UNDERLIFT ATTACHMENTS

REF	PART #	DESCRIPTION	QPY
1	685102	CROSSBAR 4 x 4 x 53.25	1
2	68545	CROSSBAR EXTENSION PIN	2
3	68530	CROSSBAR EXTENSION	2
4	616090	CROSSBAR 4 x 4 x 44.625 (OPT)	1
5	6460950	CROSSBAR EXTENSION (OPT)	2
6	68260L	WHEEL GRID-LEFT	1
7	68260R	WHEEL GRID - RIGHT	1
8	66250L	6000 LB. L-ARM - LEFT	1
9	66250R	6000 LB. L-ARM - RIGHT	1
10	65245	REMOVABLE PAN	2
11	84911	5/16 SAFETY SNAP PIN	2
12	65280A	WHEEL LIFT RATCHET & HOOK ASSEMBLY	2
13	65285	WHEEL STRAP WITH D-RING	2
14	66320	SPRING SHACKLE ADAPTOR (OPT)	2
15	84923	T-PIN .75 x 6	2
16	66A210R	CROSSBAR END HOOK - RIGHT (OPT)	1
17	66A210L	CROSSBAR END HOOK - LEFT (OPT)	1
18	663545 (0200019)	FRAME FORK SHORT 4-1/2 IN. CAST (OPT)	2
19	663530 (0200018)	FRAME FORK - 3 INCH CAST (OPT)	2
20	66330	ELEVATED FORK HOLDER (OPT)	2
21	66285R (0803580)	OFFSET FORK HOLDER - CAST - RIGHT (OPT)	1
22	66285L (0803581)	OFFSET FORK HOLDER - CAST - LEFT (OPT)	1
23	0902378	RETAINER PIN (USE W/OFFSET CAST FORKS HLDRS)	1

Section V - PARTS
TAIL LIGHT COMPONENTS

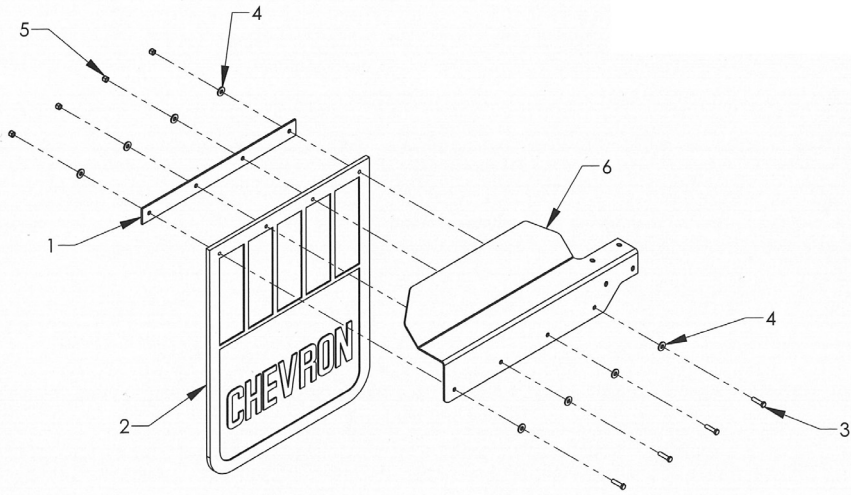


Section V - PARTS TAIL LIGHT COMPONENTS

REF	PART #	DESCRIPTION	QPU
1	0809517L	TAIL LIGHT HOUSING WELDMENT - LEFT	1
2	0809517R	TAIL LIGHT HOUSING WELDMENT - RIGHT	1
3	196152L	12/16/20 LCG TAIL LIGHT BEZEL - LEFT G2	1
4	196152R	12/16/20 LCG TAIL LIGHT BEZEL - RIGHT G2	1
5	0750672	WORK LIGHT MOUNTING BRACKET	2
6	0311516	2-1/2 IN. MARKER LIGHT GROMMET	2
7	0311512	2-1/2 IN. RED MARKER LIGHT	2
8	0311511	CARRIER TAIL LIGHT GROMMET	6
9	0311507	RECTANGULAR RED LIGHT	4
10	0311510	CARRIER BACK UP LIGHT	2
11	0311528	BACK UP ALARM GROMMET	1
12	0306385	BACK UP ALARM	1
13	0311525	LICENSE PLATE LIGHT	1
14	0306050	TAIL LIGHT WIRE GROMMET	2
15	-	BOLT, HHCS 3/8-16 UNC x 1	4
16	-	LOCK WASHER - 1/4	14
17	-	BOLT, RHMS 1/4-20 UNC x 3/4	12
18	-	HEX NUT 1/4-20 UNC	14
19	-	BOLT, CARRIAGE 3/8-16 UNC x 1-1/4 SS	8
20	-	FLAT WASHER - 3/8	8
21	-	NYLON LOCK NUT 3/8-16 UNC	12
22	-	BOLT, HHCS 1/4-20 UNC x 1	2
23	-	NYLON LOCK NUT 1/4-20 UNC	2

Section V - PARTS

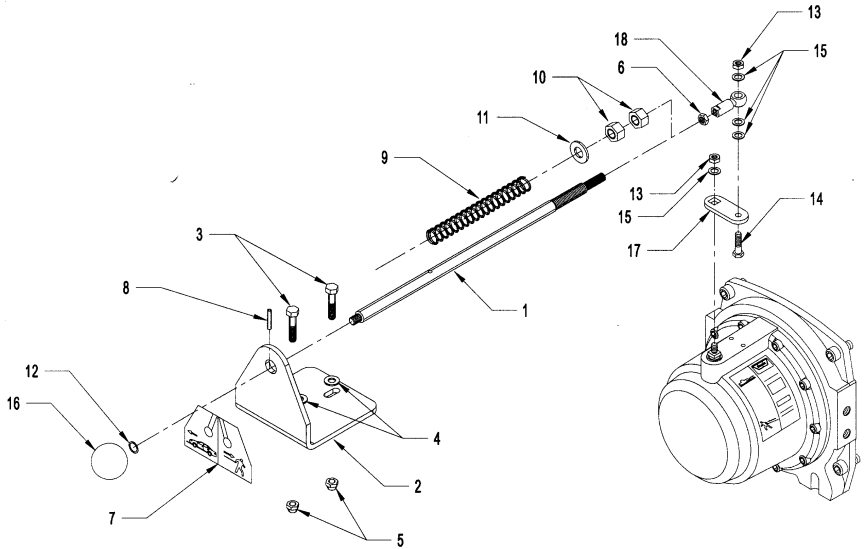
MUDFLAP COMPONENTS



REF	PART #	DESCRIPTION	QPU
1	0751025	MUDFLAP BACKING BAR	2
2	A1030	MUDFLAP 30 x 24	2
3	81240	3/8-16 UNC x 1-1/2 BOLT	8
4	82210	3/8 FLAT WASHER	16
5	83211	3/8-16 UNC NYLON LOCK NUT	8
6	071024-29L	WIDE AL SPLASH GUARD L. REAR - R. FRONT	1

Section V - PARTS

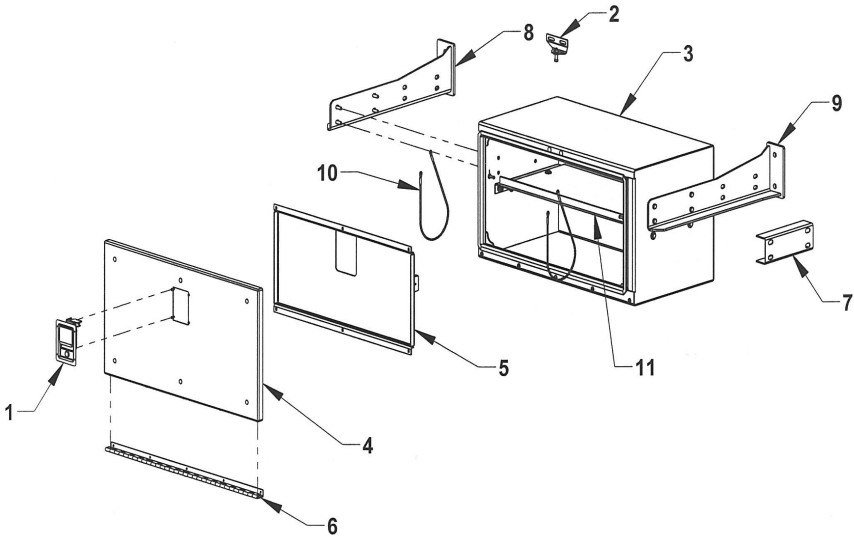
WARN WINCH REMOTE CLUTCH



REF	MFGR	PART #	DESCRIPTION	QPU
1	CHEVRON	71873	REMOTE CLUTCH ROD	1
2	CHEVRON	71874	REMOTE HANDLE BRACKET	1
3	CHEVRON	81122	5/16-18 UNC x 1-1/2 BOLTS	2
4	CHEVRON	82130	5/16 FLAT WASHER	2
5	CHEVRON	83125	5/16-18 UNC NYLON LOCK NUT	2
6	CHEVRON	83215	3/8-24 UNF NUT	1
7	CHEVRON	AA870	HANDLE BRACKET DECAL	1
8	CHEVRON	84680	3/16 x 1 SPLIT PIN	1
9	CHEVRON	71875	SPRING	1
10	CHEVRON	83310	1/2-13 UNC NUT	2
11	CHEVRON	82310	1/2 FLAT WASHER	1
12	WARN	WW1146	3/8 STAR WASHER	1
13	WARN	WW6779	3/8-16 UNC NYLON LOCK NUT	2
14	WARN	WW8160	3/8-16 UNC x 1-1/2 BOLT	1
15	WARN	WW11524	3/8 FLAT WASHER	4
16	WARN	WW15604	CLUTCH ROD KNOB	1
17	WARN	WW25364	CLUTCH SHIFTER PLATE	1
18	WARN	WW25671	BALL JOINT ROD END	1

Section V - PARTS

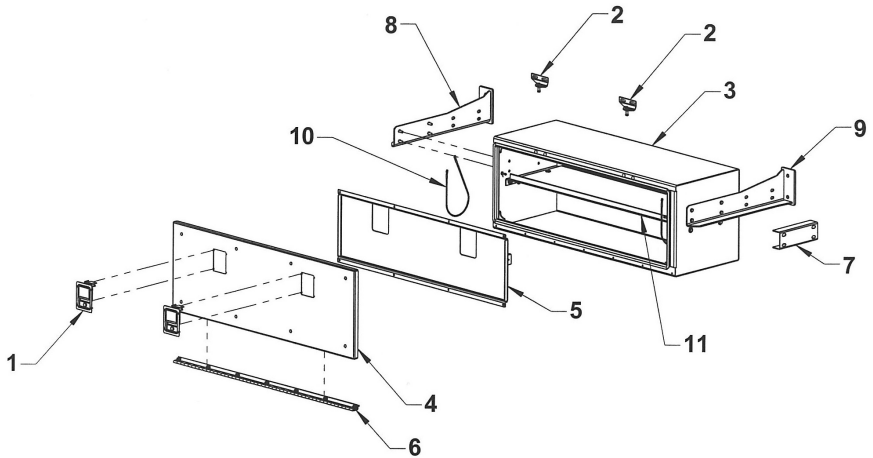
33" ALUMINUM TOOLBOX - 377000



REF	PART #	DESCRIPTION	QPU	
1	54658	ROTARY PADDLE LATCH	1	
	54657	GASKET FOR PADDLE LATCH	1	
	81111	#8-32 X 1/2 STAINLESS ONE WAY SCREW	4	
	83111	#8-32 STAINLESS KEPT NUT	4	
2	376182	STRIKER PIN MOUNTING PLATE	1	
	54659	STRIKER PIN	1	
	81115	STAINLESS CARRIAGE BOLT 5/16-18 x 3/4	2	
	82110	FLAT WASHER 5/16	4	
	82130	LOCK WASHER 5/16	2	
	83110	NUT 5/16-18	2	
	83125	NYLON LOCK NUT 5/16-18	1	
	3	377100W	BOX WELDMENT	1
	4	37741	DOOR WELDMENT	1
37740		DOOR ASSEMBLY	1	
81100		STAINLESS CARRIAGE BOLT 1/4-20 x 3/4	6	
83105		NYLON LOCK NUT 1/4-20	6	
5	37744	DOOR REINFORCEMENT	1	
6	37735	HINGE	1	
	811014	SS SOCKET BUTTON HEAD BOLT 1/4-20 x 7/8	2	
	811012	SS SOCKET BUTTON HEAD BOLT 1/4-20 x 3/4	3	
	811010	SS SOCKET BUTTON HEAD BOLT 1/4-20 x 5/8	5	
	83105	NYLON LOCK NUT 1/4-20	10	
7	37760	TANDEM BOX SPACER CHANNEL (OPTIONAL)	1	
8	37855R	TANK AND TOOLBOX MT BRACKET-RIGHT	1	
9	37855L	TANK AND TOOLBOX MT BRACKET-LEFT	1	
10	5A221	LANYARD-21 INCH	2	
11	37770	SHELF	1	

Section V - PARTS

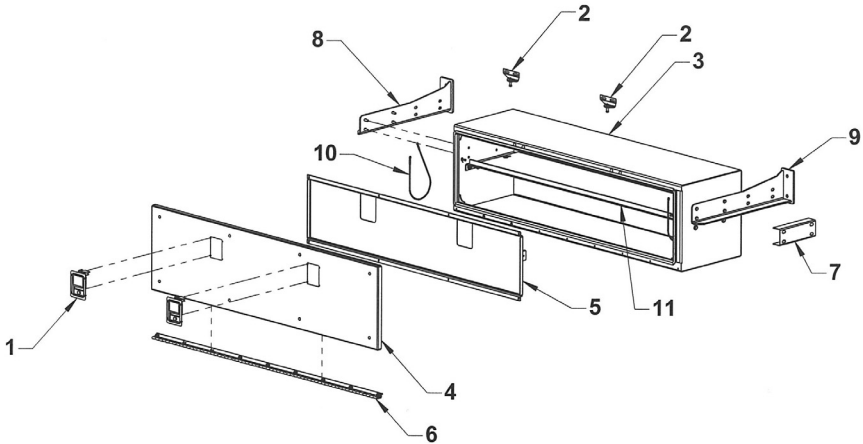
49" ALUMINUM TOOLBOX - 378000



REF	PART #	DESCRIPTION	QPU
1	54658	ROTARY PADDLE LATCH	2
	54657	GASKET FOR PADDLE LATCH	2
	81111	#8-32 X 1/2 STAINLESS ONE WAY SCREW	8
	83111	#8-32 STAINLESS KEPT NUT	8
2	376182	STRIKER PIN MOUNTING PLATE	2
	54659	STRIKER PIN	2
	81115	STAINLESS CARRIAGE BOLT 5/16-18 x 3/4	4
	82110	FLAT WASHER 5/16	8
	82130	LOCK WASHER 5/16	4
	83110	NUT 5/16-18	4
	83125	NYLON LOCK NUT 5/16-18	2
3	378100W	BOX WELDMENT	1
4	37841	DOOR WELDMENT	1
	37840	DOOR ASSEMBLY	1
	81100	STAINLESS CARRIAGE BOLT 1/4-20 x 3/4	8
	83105	NYLON LOCK NUT 1/4-20	8
5	37844	DOOR REINFORCEMENT	1
6	37835	HINGE	1
	811014	SS SOCKET BUTTON HEAD BOLT 1/4-20 x 7/8	2
	811012	SS SOCKET BUTTON HEAD BOLT 1/4-20 x 3/4	5
	811010	SS SOCKET BUTTON HEAD BOLT 1/4-20 x 5/8	7
	83105	NYLON LOCK NUT 1/4-20	14
7	37760	TANDEM BOX SPACER CHANNEL (OPTIONAL)	1
8	37855R	TANK AND TOOLBOX MT BRACKET-RIGHT	1
9	37855L	TANK AND TOOLBOX MT BRACKET-LEFT	1
10	5A221	LANYARD-21 INCH	2
11	37670	SHELF	1

Section V - PARTS

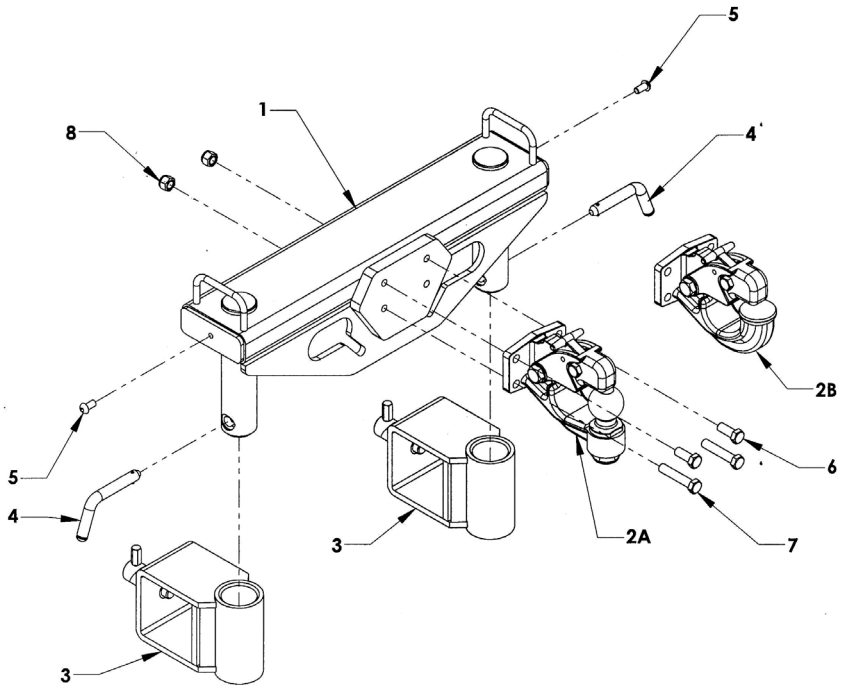
65" ALUMINUM TOOLBOX - 379000



REF	PART #	DESCRIPTION	QPU	
1	54658	ROTARY PADDLE LATCH	2	
	54657	GASKET FOR PADDLE LATCH	2	
	81111	#8-32 X 1/2 STAINLESS ONE WAY SCREW	8	
	83111	#8-32 STAINLESS KEPT NUT	8	
2	376182	STRIKER PIN MOUNTING PLATE	2	
	54659	STRIKER PIN	2	
	81115	STAINLESS CARRIAGE BOLT 5/16-18 x 3/4	4	
	82110	FLAT WASHER 5/16	8	
	82130	LOCK WASHER 5/16	4	
	83110	NUT 5/16-18	4	
	83125	NYLON LOCK NUT 5/16-18	2	
	3	379100W	BOX WELDMENT	1
	4	37941	DOOR WELDMENT	1
37940		DOOR ASSEMBLY	1	
81100		STAINLESS CARRIAGE BOLT 1/4-20 x 3/4	8	
83105		NYLON LOCK NUT 1/4-20	8	
5		37944	DOOR REINFORCEMENT	1
6	37935	HINGE	1	
	811014	SS SOCKET BUTTON HEAD BOLT 1/4-20 x 7/8	2	
	811012	SS SOCKET BUTTON HEAD BOLT 1/4-20 x 3/4	7	
	811010	SS SOCKET BUTTON HEAD BOLT 1/4-20 x 5/8	9	
	83105	NYLON LOCK NUT 1/4-20	18	
7	37760	TANDEM BOX SPACER CHANNEL (OPTIONAL)	1	
8	37855R	TANK AND TOOLBOX MT BRACKET-RIGHT	1	
9	37855L	TANK AND TOOLBOX MT BRACKET-LEFT	1	
10	5A221	LANYARD-21 INCH	2	
11	37970	SHELF	1	

Section V - PARTS

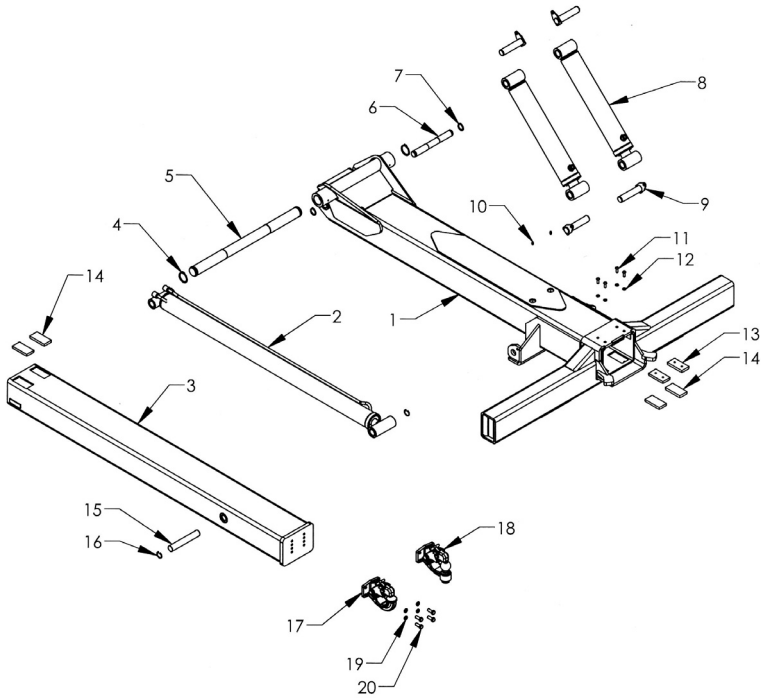
PINTLE ATTACHMENT GROUP



REF	PART #	DESCRIPTION	QPU
	66370G	PINTLE HITCH GROUP	1
1	66370W	PINTLE HITCH WELDMENT	1
2A	A3020	TOW BALL PINTLE HITCH	1
2B	A3020H	PINTLE HOOK	1
3	66280	FORK HOLDER - 4 IN. CROSSBAR	2
	65460	FORK HOLDER - 3-1/2 IN. CROSSBAR	2
4	66378	RETAINING PIN	2
5	812A6	3/8 X 5/8 BUTTONHEAD BOLT	4
	5A220	LANYARD	2
6	81428	BOLT 1/2-13 X 1.25 GRADE 8 SECURE WITH LOCTITE	2
7	81449	BOLT 1/2-13 x 2.5 GRADE 8	2
8	82312	1/2-13 NUT NYLOK	2

Section V - PARTS (cont'd)

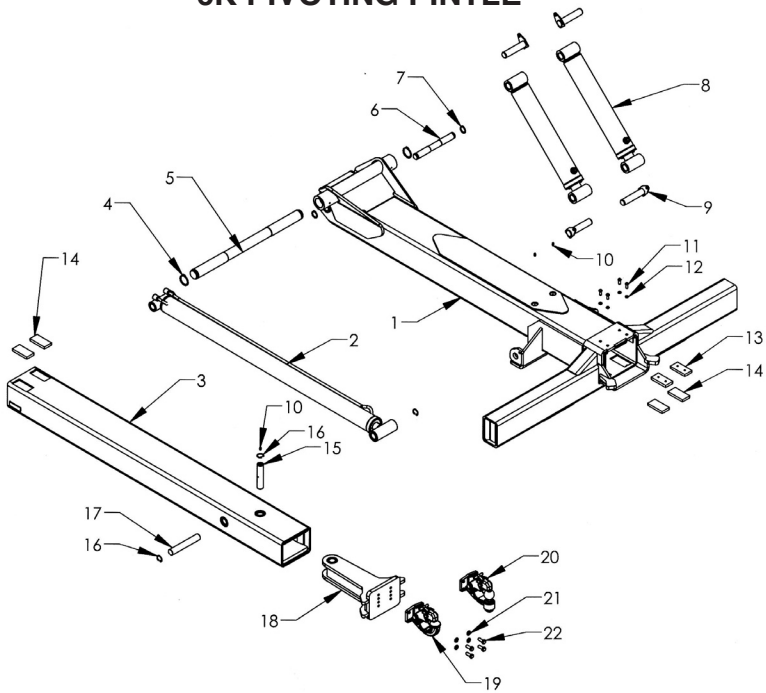
6K TELESCOPING PINTLE DUAL REAR WHEELS



REF	PART #	DESCRIPTION	QPU
1	10260605	6K UNDERLIFT OUTER BOOM TUBE WELDMENT	1
2	72A30052	CYLINDER - STABILIZER/SHEEL LIFT EXTENSION	1
3	10262P	INNER PINTLE BOOM	1
4	86200E	SNAP RING - 2" EXTERNAL	2
5	143122	4K/6K UNDERLIFT HINGE PIN	1
6	14313	PIN-W/L EXTENSION CYLINDER BASE END	1
7	86125E	SNAP RING 1-1/4" EXTERNAL	2
8	72A350154	WHEEL-LIFT LIFT CYLINDER - LCG20	2
9	0809660	KEEPER PIN 1.250 x 5.500	4
10	7B130	GREASE FITTING 1/4-28 UNF	2
11		BOLT, BHSC 3/8-16 UNC x 1	4
12		3/8 LOCK WASHER	4
13	63595H	WEAR PAD NYLATRON NSM 1/2 x 2 x 4 W/HOLES	2
14	63595	WEAR PAD NYLATRON NSM 1/ x 2 x 4	4
15	14314	PIN - W/L EXTENSION CYLINDER ROD END	1
16	86125I	SNAP RING 1-1/4 " INTERNAL	3
17	A3020H	PINTLE HOOK ATTACHMANT	1
18	A3020	PINTLE BALL ATTACHMENT	1
19		1/2 LOCK WASHER	4
20		BOLT, HEX, 1/2-13 x 1-1/4	4

Section V - PARTS (cont'd)

SERIES 20 LCG DUAL REAR WHEELS 6K PIVOTING PINTLE



REF	PART #	DESCRIPTION	QTY
1	10260605	6K UNDERLIFT OUTER BOOM TUBE WELDMENT	1
2	72A30052	CYLINDER - STABILIZER/SHEEL LIFT EXTENSION	1
3	10262-PP	INNER PINTLE BOOM	1
4	86200E	SNAP RING - 2" EXTERNAL	2
5	143122	4K/6K UNDERLIFT HINGE PIN	1
6	14313	PIN-W/L EXTENSION CYLINDER BASE END	1
7	86125E	SNAP RING 1-1/4" EXTERNAL	2
8	72A350154	WHEEL-LIFT LIFT CYLINDER - LCG20	2
9	0809660	KEEPER PIN 1.250 x 5.500	4
10	7B130	GREASE FITTING 1/4-28 UNF	3
11		BOLT, BHSC 3/8-16 UNC x 1	4
12		3/8 LOCK WASHER	4
13	63595H	WEAR PAD NYLATRON NSM 1/2 x 2 x 4 W/HOLES	2
14	63595	WEAR PAD NYLATRON NSM 1/ x 2 x 4	4
15	14314PP	PIN - PIVOTING PINTLE HEAD	1
16	86125I	SNAP RING 1-1/4 " INTERNAL	3
17	14314	PIN-W/L EXTENSION CYLINDER ROD END	1
18	143350	PIVOTING PINTLE HEAD WELDMENT - 6K	1
19	A3020H	PINTLE HOOK ATTACHMANT	1
20	A3020	PINTLE BALL ATTACHMENT	1
21		1/2 LOCK WASHER	4
22		BOLT, HEX, 1/2-13 x 1-1/4	4