



OWNER'S MANUAL

V-70

PARTS

**NOTE: MANUAL including SPECIFICATIONS, subject to change without notice.
All ratings specified are based on structural factors only,
not vehicle capacities or capabilities.**



Miller Industries Towing Equipment Inc.
8503 Hilltop Drive
Ooltewah, Tennessee 37363
Phone (423) 238-4171 • FAX (423) 238-5371

FORM NO. 05000161
11 / 2011
PRICE \$25.00

LIMITED WARRANTY

MILLER INDUSTRIES TOWING EQUIPMENT INC., hereinafter referred to as MILLER, warrants to the original purchaser that each new MILLER wrecker or other MILLER products will be free from defects in material and workmanship for a period of twelve (12) months from date placed in service, but in no event shall such warranty period exceed twenty-four (24) months from date of manufacture by MILLER. The purchaser must promptly notify MILLER in writing of any failure in material or workmanship. In no event shall MILLER accept such notification later than twenty-four (24) months from date of delivery or twelve (12) months from date placed in service, whichever is earlier.

MILLER's obligation under this warranty, statutory or otherwise, is limited to the repair or replacement at the MILLER factory, or at a point designated by MILLER, of such part or parts as shall appear upon inspection by MILLER to be defective in material or workmanship. New or remanufactured parts will be used for any replacement at MILLER's option. This warranty is not transferable. This warranty does not obligate MILLER to bear the cost of labor or transportation charges in connection with the repair or replacement of any parts found to be defective, nor shall it apply to a product upon which repairs or alterations have been made unless authorized by MILLER.

EXCEPT AS EXPRESSLY SET FORTH IN THIS WARRANTY, MILLER MAKES NO OTHER WARRANTY, EXPRESS OR IMPLIED, AND HEREBY DISCLAIMS ALL OTHER WARRANTIES INCLUDING, BUT NOT LIMITED TO, THE IMPLIED WARRANTIES OF MERCHANTABILITY AND FITNESS FOR A PARTICULAR PURPOSE. MILLER shall in no event be liable for claimed downtime, claimed loss of profits or goodwill, or any other special, incidental, indirect, or consequential damages concerning or relating to any product or parts, whether based on negligence, strict liability, breach of contract, breach of warranty, misrepresentation or any other legal theory, regardless of whether the loss resulted from any general or particular requirement which MILLER knew or had reason to know about at the time of sale.

MILLER MAKES NO WARRANTY, EXPRESS OR IMPLIED, AS TO THE FINISHED PRODUCTS MANUFACTURED OR SUPPLIED BY ANOTHER MANUFACTURER AND SUPPLIED BY MILLER TO PURCHASER, including, but not limited to, any vehicle to which a MILLER product may be affixed or any accessories or wire rope, and MILLER EXPRESSLY DISCLAIMS ANY IMPLIED WARRANTIES OF MERCHANTABILITY OR FITNESS FOR A PARTICULAR PURPOSE AS TO SUCH EQUIPMENT OR PRODUCTS. This language shall in no way affect or diminish the rights of the purchaser to rely on such warranties as are extended by such manufacturers or suppliers. MILLER shall, to the extent permitted under applicable law, pass on to the purchaser such manufacturer's or seller's warranty.

MILLER, whose policy is one of continuous improvement, reserves the right to improve its products through changes in design or materials as it may deem desirable without being obligated to incorporate such changes in products previously sold. This warranty is not intended to cover or include the following items, which are set forth by way of example and not limitation:

- A. Normal deterioration of trim, paint, lettering, and appearance items due to wear or exposure to weather, road conditions, road treatments, etc.
- B. Any damage or defect due to accident, misuse, abuse, improper or unauthorized repairs, failure to provide reasonable and necessary maintenance, or uses for which the equipment was not designed or intended.
- C. Alterations or modifications that affect performance, operation or reliability.
- D. Normal maintenance parts including, but not limited to, wear pads, bushings, wire rope, mud flaps, fenderettes, light bulbs, hydraulic oil, filters, and tow sling belts.

IT IS EXPRESSLY UNDERSTOOD THAT MILLER MAKES NO IMPLIED WARRANTY THAT MILLER PRODUCTS SHALL BE FIT FOR THE PURPOSE OF LIFTING OR MOVING PEOPLE OR FOR ANY OTHER IMPROPER USE.



Miller Industries Towing Equipment Inc.
8503 Hilltop Drive
Ooltewah, Tennessee 37363
Telephone (423) 238-4171

SERIAL NUMBER

OWNER, USER AND OPERATOR:

We appreciate your choice of our towing and recovery unit for your application. Our number one priority is user safety which is best achieved by our joint efforts. We feel that you can make a major contribution to safety if you, as the equipment owner and operator:

1. **Comply with Federal, State, and Local Regulations.**
2. **Read, Understand, and Follow the Instructions in this Manual.**
3. **Use Good, Safe Work Practices in a Common Sense Way.**
4. **Only have Authorized and Trained Personnel performing maintenance on the Towing and Recovery Unit.**

TABLE OF CONTENTS

It is assumed by the manufacturer that the Owner/Operator has a thorough knowledge of the accepted and lawful retrieval and towing methods as dictated by his city, county or state. The manufacturer rejects any liability claim that may result from the incorrect or unlawful application of its equipment.

Section I - PARTS

SUBFRAME ASSEMBLY	I-2 & I-3
LH BODY ASSEMBLY	I-4 & I-5
RH BODY ASSEMBLY	I-6 & I-7
OUTER BOOM ASSEMBLY	I-8 & I-9
INNER BOOM ASSEMBLY	I-10 & I-11
WINCH ASSEMBLY	I-12 & I-13
UNDERLIFT ASSEMBLY	I-14 & I-15
CROSSBAR ASSEMBLY	I-16 & I-17
BOOM LIFT HYDRAULICS	I-18 & I-19
BOOM EXTEND HYDRAULICS	I-20 & I-21
WINCH HYDRAULICS	I-22 & I-23
UNDERLIFT EXTEND HYDRAULICS.....	I-24 & I-25
UNDERLIFT TILT HYDRAULICS.....	I-26 & I-27
SUBFRAME HYDRAULICS	I-28 & I-29
HYDRAULIC TANK ASSEMBLY	I-30 & I-31

TABLE OF CONTENTS (cont'd)

Section I - PARTS (cont'd)

STANDARD JACKLEG ASSEMBLY	I-32 & I-33
JACKLEG ASSEMBLY W/ FLIPPER FEET	I-34 & I-35
REAR OUTRIGGER OPTION	I-36 & I-37
JACKLEG HYDRAULICS	I-38 & I-39
OUTRIGGER HYDRAULICS	I-40 & I-41
DUAL CONTROL ASSEMBLY	I-42 & I-43
LIFT ADAPTERS	I-44 & I-45
5X5 BUS LIFT ASSEMBLY	I-46 & I-47
EURO BUS LIFT ASSEMBLY	I-48 & I-49
PINTLE HOOK ADAPTER	I-50 & I-49
5TH WHEEL ADAPTER	I-52 & I-53
KING PIN ADAPTER	I-54 & I-55
AIR SYSTEM	I-56 & I-57

Section II - PARTS LIST

PARTS LIST V-70 W/ STD STINGER	II-1 thru II-12
--------------------------------------	-----------------

Section I - PARTS

This Section is provided by the manufacturer for the purpose of ordering any component part of the **Vulcan V-100** that may be required when part replacement is necessary. Be certain to use only original equipment replacement parts for warranty purposes as well as for keeping your unit in its original state and optimum operating capacities.

When ordering replacement or spare parts be sure to provide the following information to the manufacturer's **Parts Department**.

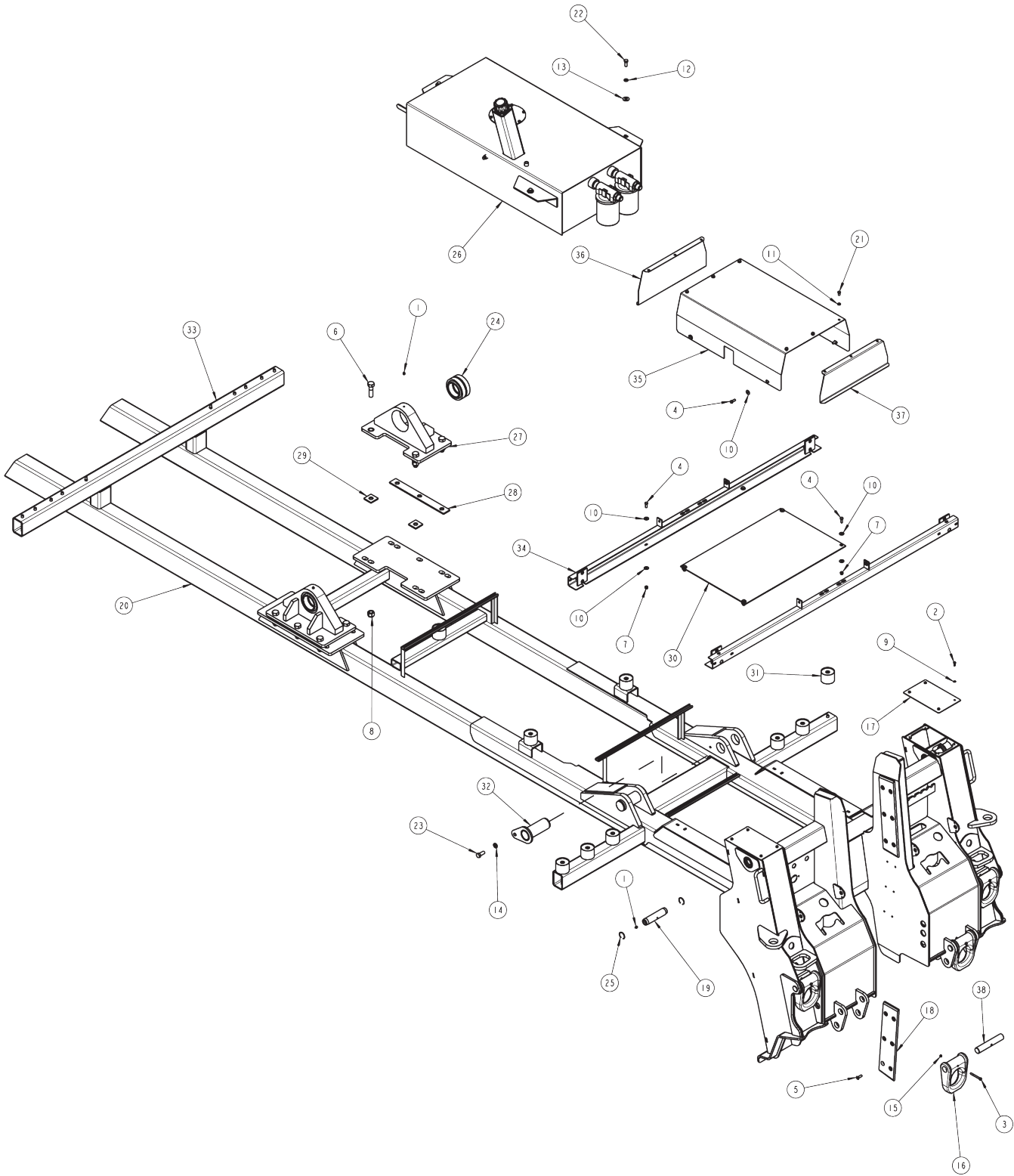
1. **Manual Number & Date of Publication**
2. **Manual Page Number**
3. **Page Title**
4. **Reference Number of Part Desired**
5. **Part Number**
6. **Part Description**
7. **Quantity of Part Desired**

Providing this information will help ensure that the correct parts will be delivered to you in an expedient manner without delay. Should additional information be required for repair or replacement of certain components, contact your Wrecker Manufacturer Authorized Representative.

The Manufacturer reserves the right, without notice or obligation, to improve or modify their products, which may change the specifications, models and feature availability.

Section I - PARTS (cont'd)

SUBFRAME ASSEMBLY



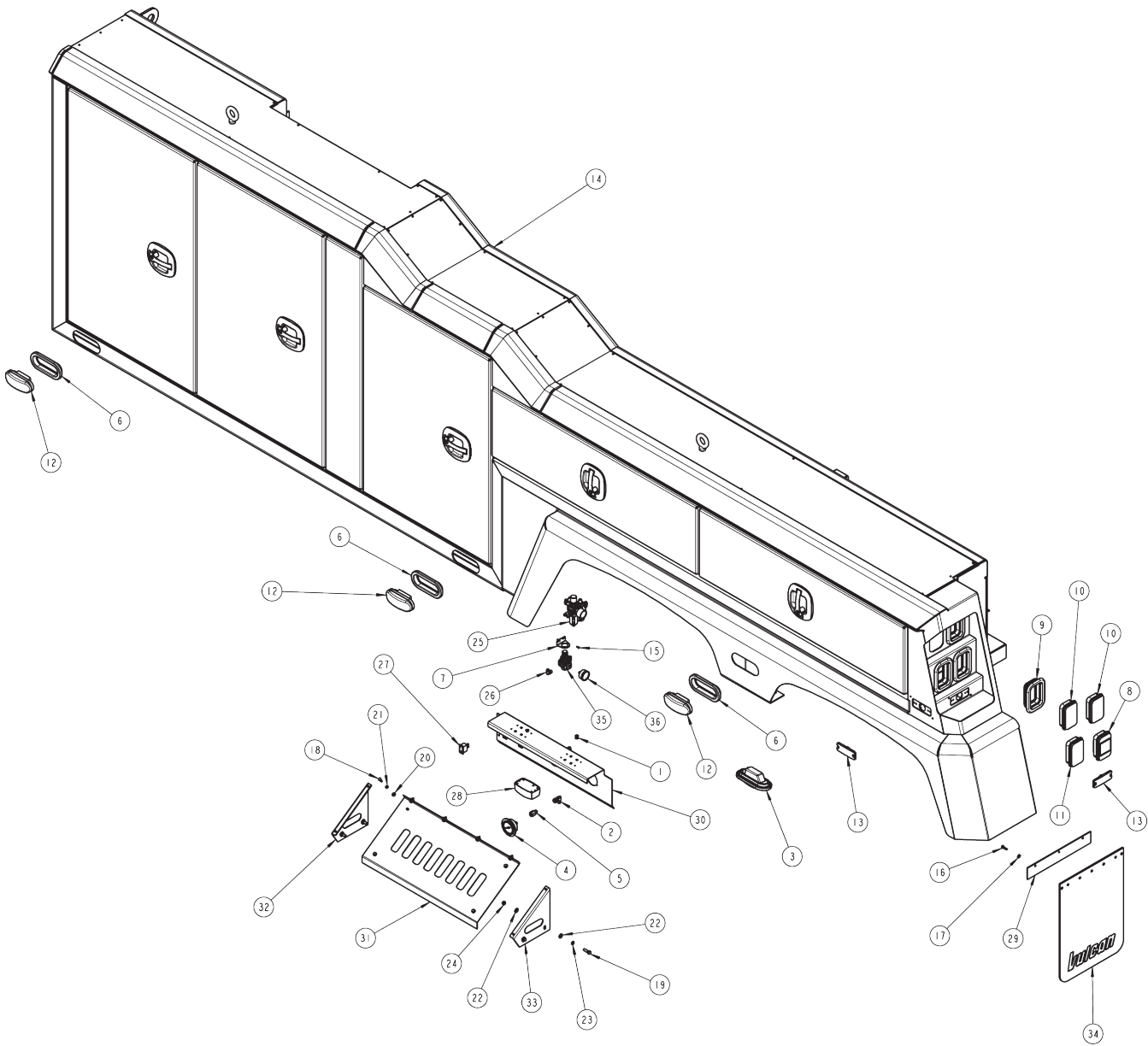
Section I - PARTS (cont'd)

SUBFRAME ASSEMBLY

ITEM	PART NUMBER	DESCRIPTION	QTY
1	0301895	GREASE FITTING, 1/8 NPT STRAIGHT	4
2	0400066	1/4-20 X 3/4 HHCS GR5 ZP	8
3	0400114	5/16-18 X 3 HHCS GR5 ZP	4
4	0400126	3/8-16 X 1 HHCS GR5 ZP	12
5	0400128	3/8-16X1.25 FLAT HD SOC	24
6	0400306	7/8-9 X 3 HHCS GR. 8 GOLD	10
7	0400392	3/8-16 NYLOCK HEX NUT ZP	8
8	0400437	7/8-9 NYLOCK HEX NUT GR8 ZP	10
9	0400452	1/4 HELICAL LOCK WASHER ZP	8
10	0400480	3/8 FLAT WASHER ZP	20
11	0400482	3/8 HELICAL LOCK WASHER ZP	6
12	0400491	1/2 HELICAL LOCK WASHER ZP	3
13	0400492	1/2 FLAT WASHER ZP	3
14	0400508	5/8 HELICAL LOCK WASHER ZP	2
15	0400776	5/16-18 HEX NUT JAM NYLOK	4
16	0719585	"D" RING - TOWING	4
17	0724349	PLATE - SPADE COVER	2
18	0724476	NYLATRON PAD	4
19	0724499	PIN, UPPER JACK LEG CYLINDER	2
20	0807731	SUBFRAME WELDMENT	1
21	9041202	3/8-16 X 5/8 PL GR8	6
22	9041402	1/2-13NC X 1 1/4 HHCS, ZP,GR.8	5
23	9043950	5/8-11X1-1/2	2
24	9053041	BEARING, SPHERICAL TORRIN	2
25	9054150	SNAP RING, 1-1/4" NOM INTERNAL	4
26	915780000	HYDRAULIC TANK ASSY	1
27	930202500	PIVOT BLOCK WELDMENT	2
28	930202504	TIE PLATE	2
29	930202505	WASHER PLATE	4
30	930400009	PLATE- BOTTOM	1
31	9402970	TOOLBOX MTG. PAD	9
32	945351500	PIN WELDMENT - LOWER LIFT CYL	2
33	946210500	FRONT MTG. TUBE WELDMENT	1
34	946400600	CHANNEL WELDMENT	2
35	946402501	TOP PANEL ~ D.C.V. COVER ASSY	1
36	946402600	REAR PANEL WELDMENT	1
37	946402700	FRONT PANEL WELDMENT	1
38	GA0215	PIN, D RING	4

Section I - PARTS (cont'd)

LH BODY ASSEMBLY



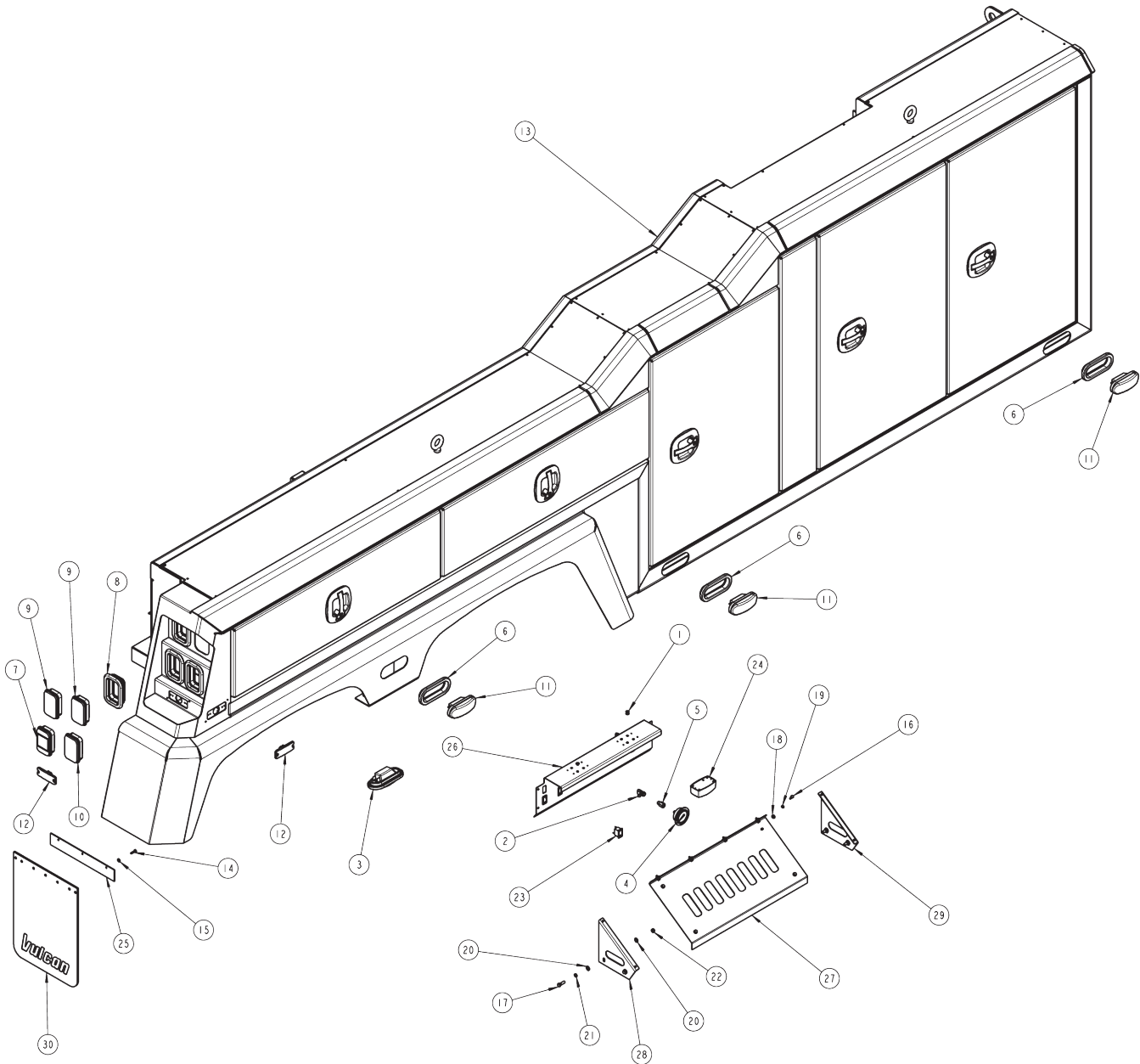
Section I - PARTS (cont'd)

LH BODY ASSEMBLY

ITEM	PART NUMBER	DESCRIPTION	QTY
1	0300117	GROMMET RUBBER	2
2	0301696	ELBOW, 6MJ-6FJX90	2
3	0302201	BACKUP LIGHT W/ GROMMET & PLUG	1
4	0302205	GAUGE, FLUSH MOUNT 6000 PSI	2
5	0302577	CONNECTOR, 6MJ-4FP	2
6	0303128	GROMMET, TAIL LIGHT	3
7	0303365	BRKT- MOUNTING	1
8	0306684	LIGHT, BACKUP	1
9	0306685	GROMMET, LED LIGHT 45 STT	4
10	0307215	LED LIGHT, RED 45 STT	2
11	0307216	LED LIGHT, AMBER 45 REAR TURN	1
12	0307220	LIGHT OVAL AMBER 60 LED	3
13	0307538	LIGHT, MRKR-RED LED 4.5 X 1.63	2
14	0311016	2010 VULCAN AL. BODY 180CB	1
15	0400021	#8-32 X .5 FLAT HEAD PHILLIPS S.S.	4
16	0400070	1/4-20 X 1 HHCS GR5 ZP	3
17	0400451	1/4 FLAT WASHER ZP	3
18	0402020	1/4-20 X 3/4 HHCS SS	8
19	0402043	3/8-16 X 1-1/4 HHCS SS	4
20	0402110	1/4 FLATWASHER 316 STAINLESS	8
21	0402111	1/4 LOCKWASHER 316 STAINLESS	8
22	0402120	3/8 FLATWASHER 316 SS	8
23	0402121	3/8 LOCKWASHER 316 STAINLESS	4
24	0402122	HEX NUT 316 STAINLESS	4
25	0909085	KIT,AIR FLR/REG/LUBE COMBO 1/4	1
26	9010520	FITTING - ELBOW,1/4T-1/4NPT MALE	2
27	9024041	MCGILL SWITCH	4
28	9025049	INT. COMPARTMENT LIGHT W/ SWITCH	2
29	920400005	MUD FLAP BRACE PLATE	1
30	942480003	D.C.V. UPPER PANEL	1
31	942480200	D.C.V. LOWER PANEL WELDMENT	1
32	942480300	LH MTG ANGLE WELDMENT	1
33	942487300	RH MTG ANGLE WELDMENT	1
34	94320052	MUDFLAP	1
35	HA0131	AIR FILTER / REGULATOR COMBO	1
36	HA0132	GAUGE- AIRFILTER/REGULATOR	1

Section I - PARTS (cont'd)

RH BODY ASSEMBLY



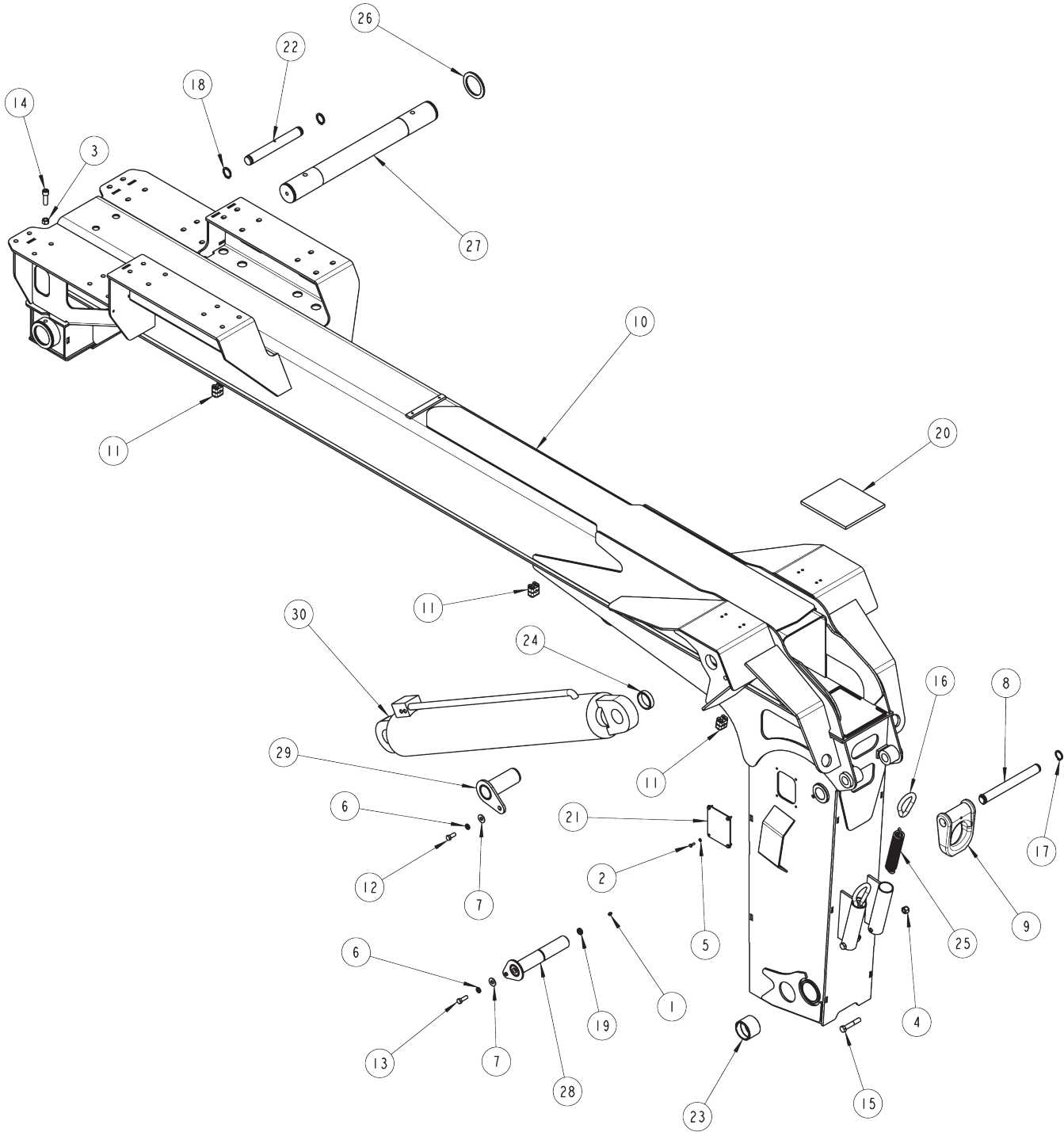
Section I - PARTS (cont'd)

RH BODY ASSEMBLY

ITEM	PART NUMBER	DESCRIPTION	QTY
1	0300117	GROMMET RUBBER	2
2	0301696	ELBOW, 6MJ-6FJX90	2
3	0302201	BACKUP LIGHT W/ GROMMET & PLUG	1
4	0302205	GAUGE, FLUSH MOUNT 6000 PSI	2
5	0302577	CONNECTOR, 6MJ-4FP	2
6	0303128	GROMMET, TAIL LIGHT	3
7	0306684	LIGHT, BACKUP	1
8	0306685	GROMMET, LED LIGHT 45 STT	4
9	0307215	LED LIGHT, RED 45 STT	2
10	0307216	LED LIGHT, AMBER 45 REAR TURN	1
11	0307220	LIGHT OVAL AMBER 60 LED	3
12	0307538	LIGHT, MRKR-RED LED 4.5 X 1.63	2
13	0311017	2010 VULCAN AL. BODY 180CB	1
14	0400070	1/4-20 X 1 HHCS GR5 ZP	3
15	0400451	1/4 FLAT WASHER ZP	3
16	0402020	1/4-20 X 3/4 HHCS SS	8
17	0402043	3/8-16 X 1-1/4 HHCS SS	4
18	0402110	1/4 FLATWASHER 316 STAINLESS	8
19	0402111	1/4 LOCKWASHER 316 STAINLESS	8
20	0402120	3/8 FLATWASHER 316 SS	8
21	0402121	3/8 LOCKWASHER 316 STAINLESS	4
22	0402122	HEX NUT 316 STAINLESS	4
23	9024041	MCGILL SWITCH	4
24	9025049	INT. COMPARTMENT LIGHT W/ SWITCH	2
25	920400005	MUD FLAP BRACE PLATE	1
26	942480003	D.C.V. UPPER PANEL	1
27	942480200	D.C.V. LOWER PANEL WELDMENT	1
28	942480300	LH MTG ANGLE WELDMENT	1
29	942487300	RH MTG ANGLE WELDMENT	1
30	94320052	MUDFLAP	1

Section I - PARTS (cont'd)

OUTER BOOM ASSEMBLY



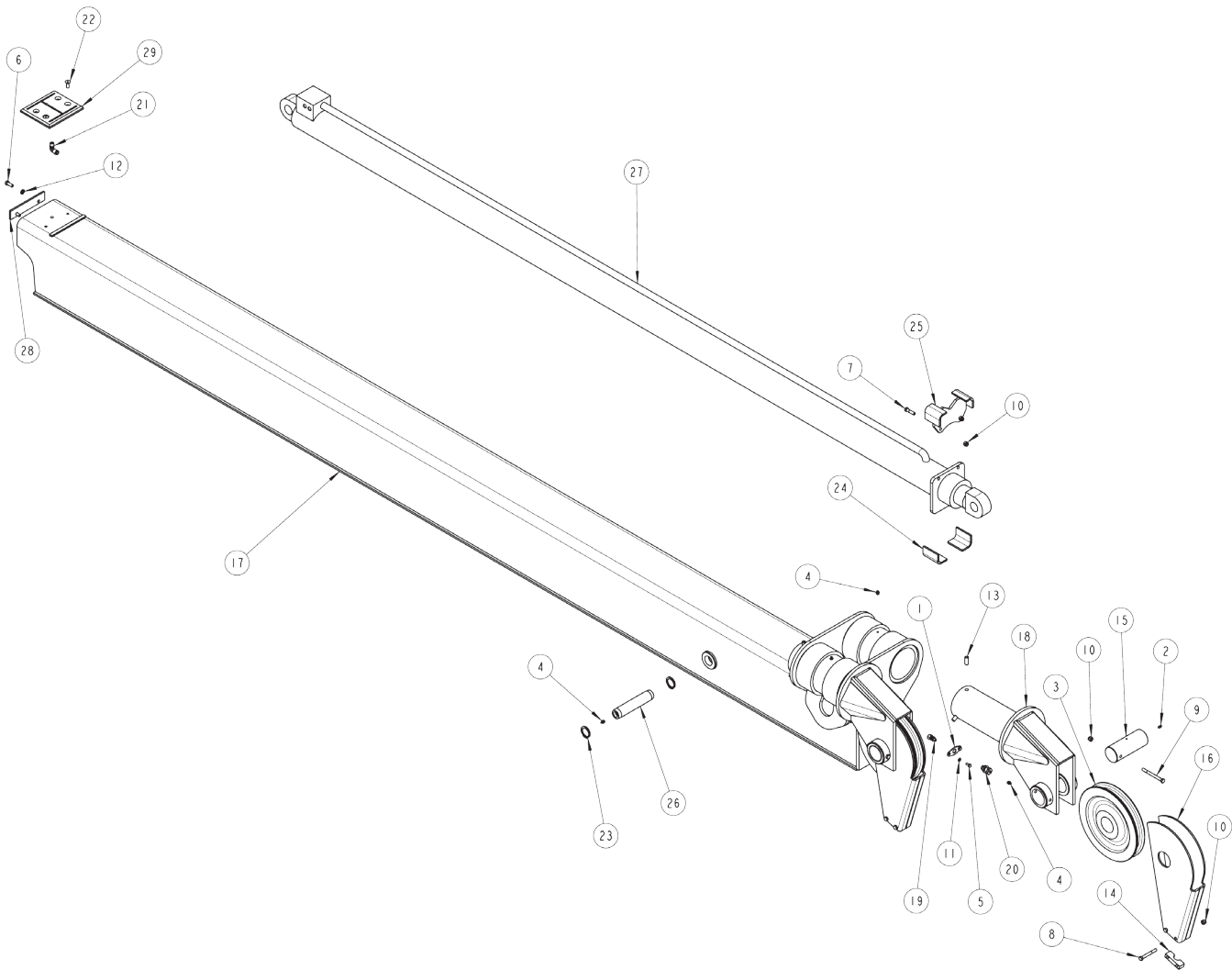
Section I - PARTS (cont'd)

OUTER BOOM ASSEMBLY

ITEM	PART NUMBER	DESCRIPTION	QTY
1	0301895	GREASE FITTING, 1/8 NPT STRAIGHT	1
2	0400066	1/4-20 X 3/4 HHCS GR5 ZP	8
3	0400424	5/8-18 HEX NUT ZP	2
4	0400426	5/8-11 NYLOCK NUT GR8 ZP	2
5	0400452	1/4 HELICAL LOCK WASHER ZP	8
6	0400491	1/2 HELICAL LOCK WASHER ZP	3
7	0400492	1/2 FLAT WASHER ZP	3
8	0715517	PIN - "D" RING OUTER BOOM WELDMENT	1
9	0719585	"D" RING - TOWING	1
10	0810007	MAIN BOOM WELD'T	1
11	9018255	1/2 TUBE CLAMP FM2127-PP	12
12	9041402	1/2-13NC X 1 1/4 HHCS ZP GR8	2
13	9041403	1/2-13 x 1-1/2 HHCS GR8 ZP	1
14	9043605	SCREW, 5/8"-11 X 4-1/2" SKT HD CAP	2
15	9043975	5/8-11 x 3-1/2 UNC HHCS GR 8	2
16	9048800	5/8 WELDLESS CHAIN LINK	2
17	9056137	SNAP RING, 2-1/4"	2
18	9056150	RETAINING RING, 1-1/2"	2
19	920255003	SPACER - LOCK PIN WELDMENT	1
20	930100002	LOWER WEAR PAD - RECOVERY	1
21	930290002	COVER PLATE	2
22	930350002	PIN MAIN BOOM EXT CYL FRONT	1
23	9400004	BRONZE BUSHING	2
24	945020001	WASHER PLATE, LOWER LIFT CYLINDER	2
25	945030007	SPRING - HOSE TENSIONER	2
26	945040001	MAIN BOOM PIVOT	2
27	945350001	PIVOT PIN, MAIN BOOM TO SUBFRAME	1
28	945350500	PIN WELDMENT-TILT CLY UPPER	1
29	945351500	PIN WELDMENT - LOWER LIFT CYL	2
30	945700000	BOOM LIFT CYLINDER	2

Section I - PARTS (cont'd)

INNER BOOM ASSEMBLY



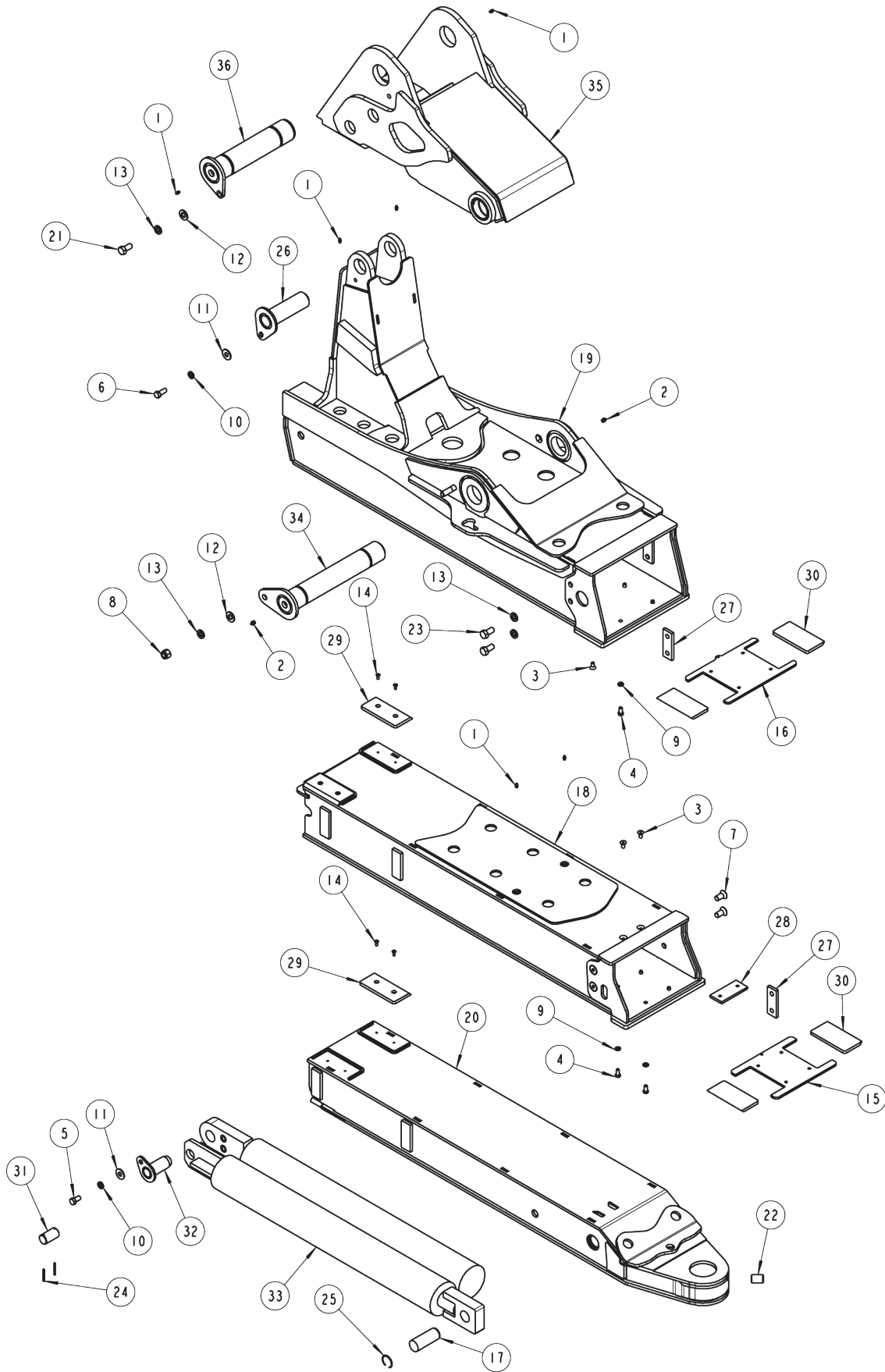
Section I - PARTS (cont'd)

INNER BOOM ASSEMBLY

ITEM	PART NUMBER	DESCRIPTION	QTY
1	3012-793001	PLATE - LUBE MTG	1
2	0300113	GREASE FITTING, 1/4-28 STRAIGHT	2
3	0300311	SHEAVE - 12-10-1BB 10	2
4	0301895	GREASE FITTING, 1/8 NPT STRAIGHT	4
5	0400059	1/4-20 x 5/8 HHCS GR5 ZP	2
6	0400126	3/8-16 X 1 HHCS GR5 ZP	2
7	0400132	3/8-16 X 1 1/2 HHCS GR5 ZP	2
8	0400133	3/8-16 X 3 HHCS GR5 ZP	4
9	0400140	3/8-16 X 4 HHCS GR5 ZP	2
10	0400392	3/8-16 NYLOCK HEX NUT ZP	8
11	0400452	1/4 HELICAL LOCKWASHER ZP	2
12	0400482	3/8 HELICAL LOCKWASHER ZP	2
13	0400557	1/2 X 1 1/4 ROLL PIN ZP	6
14	0700511	GUIDE - BOTTOM CABLE	4
15	0700563	SHAFT - SHEAVE	2
16	0802027	CABLE GUIDE WELDMENT	2
17	0806861	INNER BOOM WELDMENT	1
18	0806862	BOOM END SWIVEL WELDMENT	2
19	9012549	CONNECTOR, 3/8 TUBE X 1/8 NPT	1
20	9012552	BULKHEAD COUPLING, 1/8	1
21	9012584	ELBOW, 1/4 NPT X 3/8 TUBE 90	1
22	9044434	3/8-16X1 NC FLAT	2
23	9056150	RETAINING RING, 1-1/2"	2
24	915040501	BOTTOM CLAMP ANGLE - EXT CYL. ASSY	2
25	930105000	SPIDER CLAMP - TOP WELDMENT	1
26	930350003	PIN - MAIN BOOM EXT CYL REAR	1
27	930720000	CYLINDER - BOOM LIFT	1
28	945030001	PAD RETAINING PLATE - UPPER	1
29	945030004	UPPER WEAR PAD - RECOVERY	1

Section I - PARTS (cont'd)

STANDARD STINGER ASSEMBLY



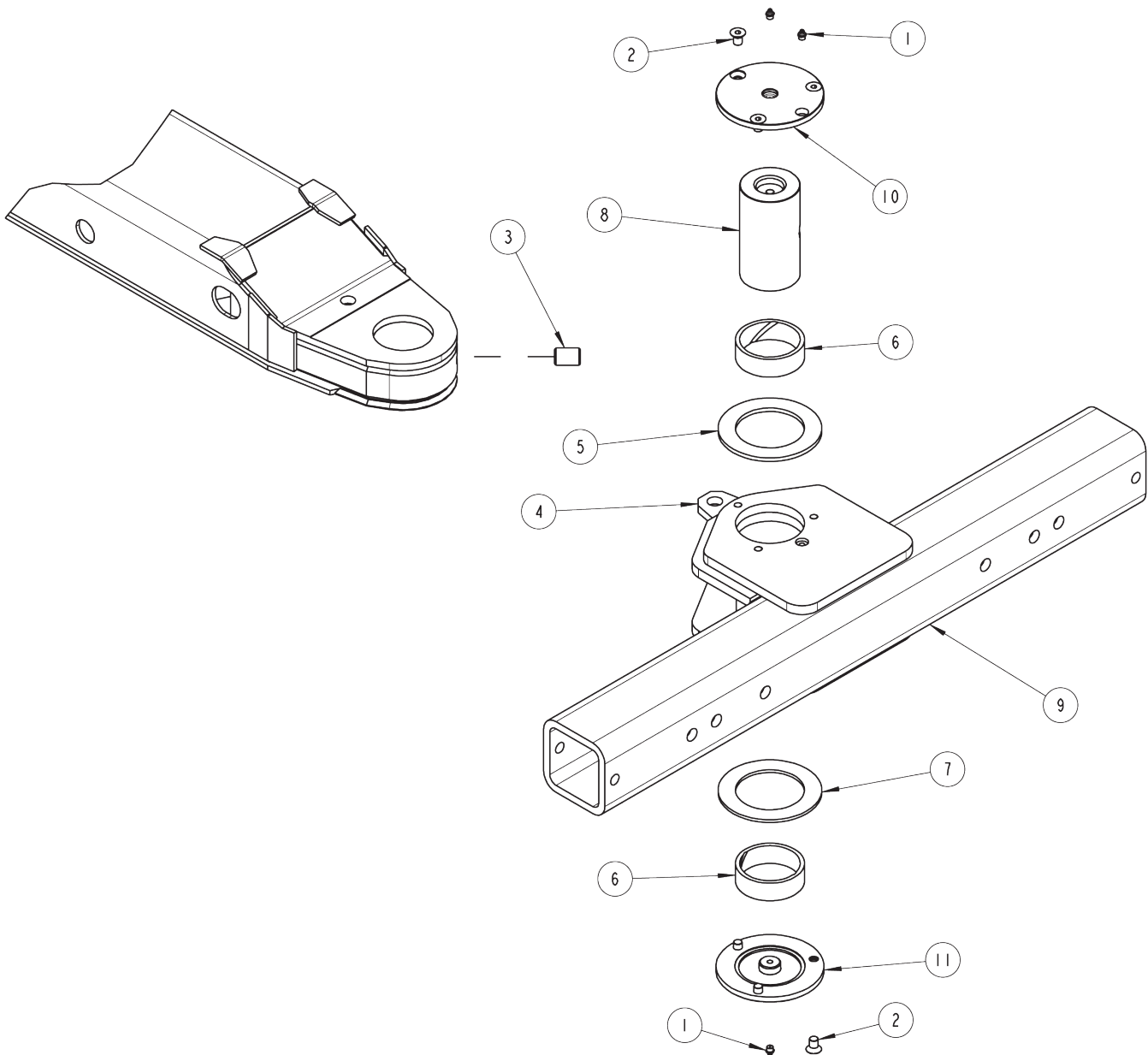
Section I - PARTS (cont'd)

STANDARD STINGER ASSEMBLY

ITEM	PART NUMBER	DESCRIPTION	QTY
1	0300113	GREASE FITTING, 1/4-28 STRAIGHT	6
2	0301895	GREASE FITTING, 1/8 NPT STRAIGHT	2
3	0400134	3/8-24 X 3/4 FLATHEAD SOCKET SCREW	4
4	0400151	3/8-24 X 3/4 HHCS GR5 ZP	6
5	0400176	1/2-13 X 1 HHCS GR5 ZP	1
6	0400177	1/2-13 X 1 1/4 HHCS GR5 ZP	1
7	0400345	SCREW - 1/4"-20 X 5/8" FL SKT HD	4
8	0400421	5/8-11 NYLOCK HEX NUT ZP	1
9	0400482	3/8 HELICAL LOCKWASHER ZP	6
10	0400491	1/2 HELICAL LOCKWASHER ZP	2
11	0400492	1/2 FLAT WASHER ZP	2
12	0400505	5/8 FLAT WASHER SAE	2
13	0400508	5/8 HELICAL LOCK WASHER ZP	6
14	0400594	SCREW - 1/4"-20 X 5/8" FL SKT HD	8
15	0723463	PLATE, PAD CAGE - 1ST STAGE STINGER	1
16	0723476	PLATE, PAD CAGE - FOLDING BOOM	1
17	0724348	PIN, PIN WELD'T - STINGER EXT. - REAR	1
18	0807763	1ST STAGE STINGER WELDMENT	1
19	0807765	FOLDING BOOM WELDMENT - 116" REACH	1
20	0810009	2ND STAGE STINGER WELDMENT	1
21	9040602	5/8-11 X 1-1/4 HHCS GR8 ZP	1
22	9044170	1-8X1-1/2 SOC SET SCREW	1
23	9044471	SCREW, 5/8"-18 X 1-1/4" HEX HD CAP	4
24	9046315	ROLL PIN, 3/16" X 1"	2
25	9054150	SNAP RING, 1-1/4" NOM INTERNAL	1
26	924902000	LOWER PIN WELDMENT TILT CYLINDER	1
27	930150001	STOP PAD (FOLDING BOOM)	4
28	930150002	SPACER (1ST STAGE STINGER)	1
29	930150003	TOP PAD	4
30	930150004	BOTTOM PAD	4
31	930150011	PIN CYLINDER 1ST STAGE STINGER	1
32	930152000	FRONT MTG. PIN WELDMENT STINGER	1
33	930770500	STINGER EXT. CYLINDER	1
34	930901500	SHAFT WELDMENT FOLDING BOOM PIVOT	1
35	945300000	PIVOT FOOT WELDMENT	1
36	945351000	SHAFT WELDMENT FOLDING BOOM PIVOT	1

Section I - PARTS (cont'd)

CROSSBAR ASSEMBLY



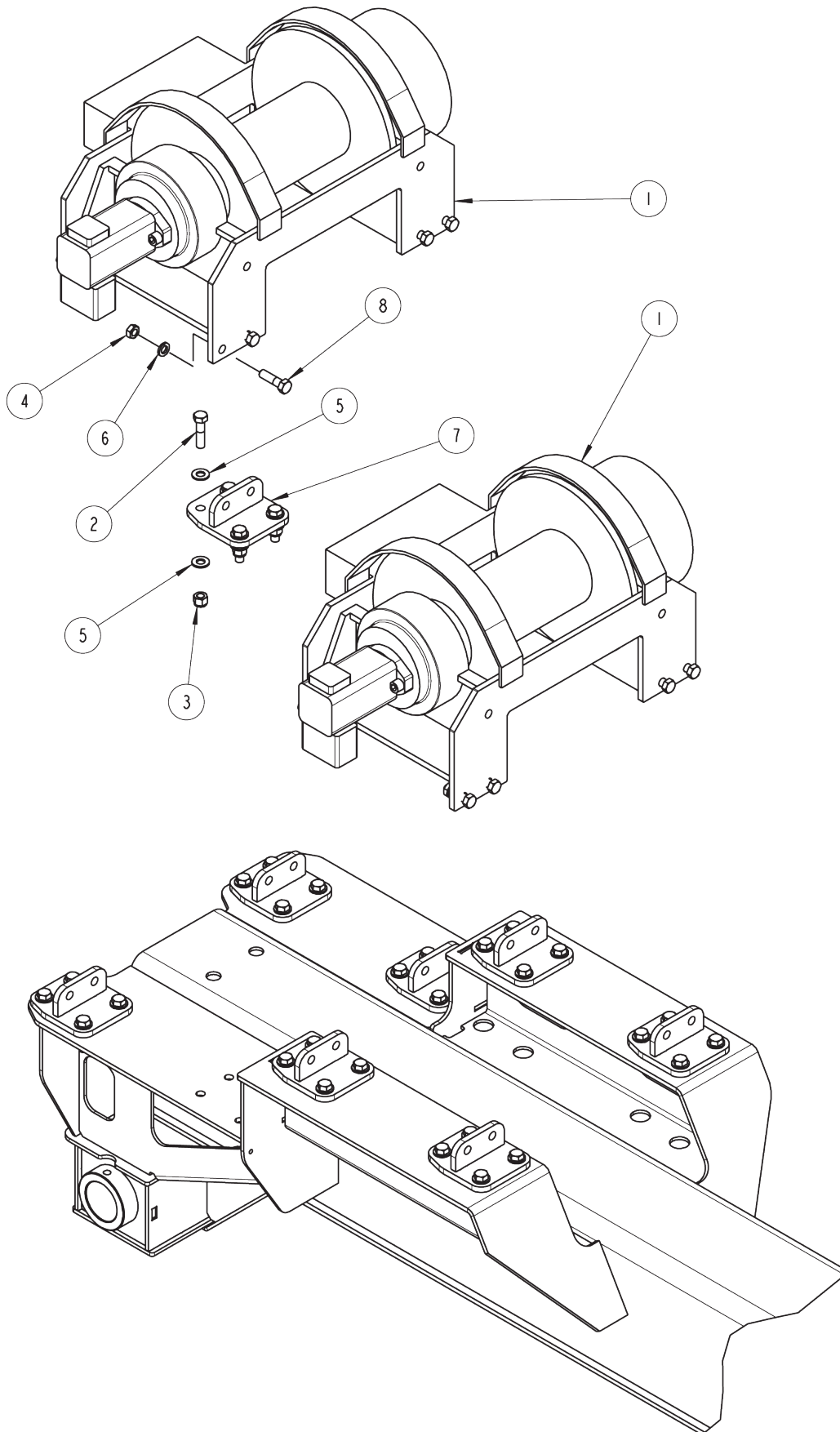
Section I - PARTS (cont'd)

CROSSBAR ASSEMBLY

ITEM	PART NUMBER	DESCRIPTION	QTY
1	0301895	GREASE FITTING, 1/8 NPT STRAIGHT	3
2	9043800	1/2-13 X 1 FLAT HEAD SOCKET CAP SCR	6
3	9044170	1-8X1-1/2 SOC SET SCREW	1
4	915150004	LUG PLATE CROSSBAR ASSEMBLY	1
5	915150005	THURST WASHER (.25 THK)	1
6	945510006	BEARING - ALUMINUM BRONZE	2
7	945510007	THURST WASHER (.19 THK)	1
8	946350005	PIVOT PIN	1
9	946570500	5" CROSSBAR WELDMENT	1
10	946571000	TOP COVER PLATE WELDMENT	1
11	946571100	BOTTOM COVER PLATE WELDMENT	1

Section I - PARTS (cont'd)

WINCH ASSEMBLY



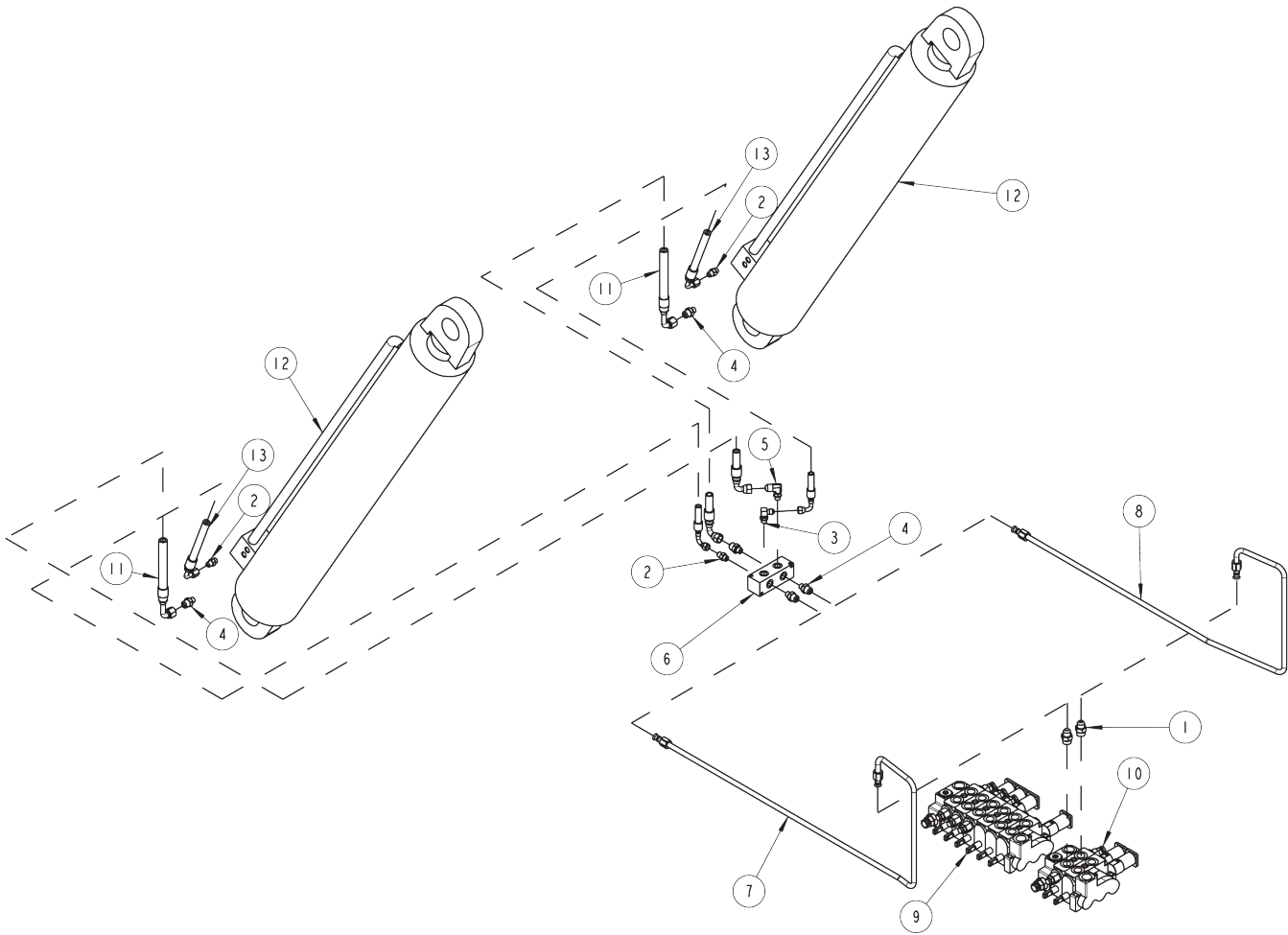
Section I - PARTS (cont'd)

WINCH ASSEMBLY

ITEM	PART NUMBER	DESCRIPTION	QTY
1	0307061	WINCH DP35	2
2	0400262	5/8-11 X 2 1/2 HHCS GR8 ZP	32
3	0400426	5/8-11 NYLOCK NUT GR8 ZP	32
4	0400427	5/8-11 HEX JAM NUT ZP	16
5	0400503	5/8 FLAT WASHER GR8	64
6	0400508	5/8 HELICAL LOCK WASHER ZP	16
7	0810011	WINCH MTG BRACKET	8
8	9044409	5/8-11 X 2-1/4 HHCS GR8 ZP	16

Section I - PARTS (cont'd)

BOOM LIFT HYDRAULICS

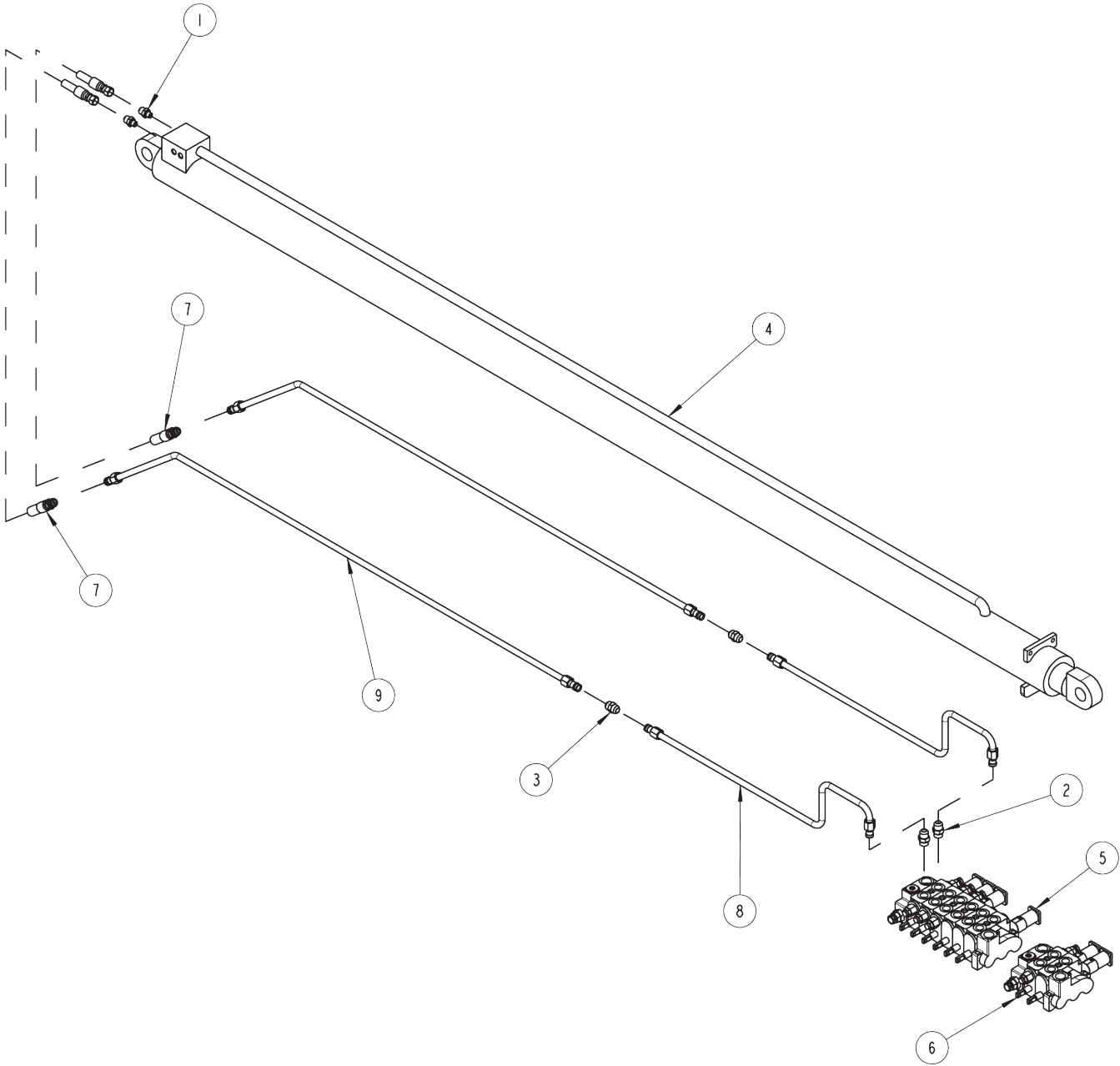


Section I - PARTS (cont'd)

BOOM LIFT HYDRAULICS

ITEM	PART NUMBER	DESCRIPTION	QTY
1	0301376	CONNECTOR 8MJX10MB	2
2	0301522	CONNECTOR 6MJ-6MB	3
3	0301620	FITTING, ELBOW, 6MJ-6MB90	1
4	0302275	CONNECTOR 8MJX6MB	5
5	0302276	ELBOW, 8MJ-6MB90	1
6	0306700	MANIFOLD BLOCK	1
7	0310840	HYD TUBE ASSY BOOM LIFT -"A" PORT	1
8	0310841	HYD TUBE ASSY BOOM LIFT (PORT B)	1
9	9016021	VALVE 6 SPOOL	1
10	9016022	VALVE 2 SPOOL	1
11	915770002	HOSE ASSEMBLY, 12" LG	2
12	945700000	BOOM LIFT CYLINDER	2
13	946770001	HOSE ASSEMBLY MAIN LIFT CYLINDER	2

Section I - PARTS (cont'd)
BOOM EXTEND HYDRAULICS

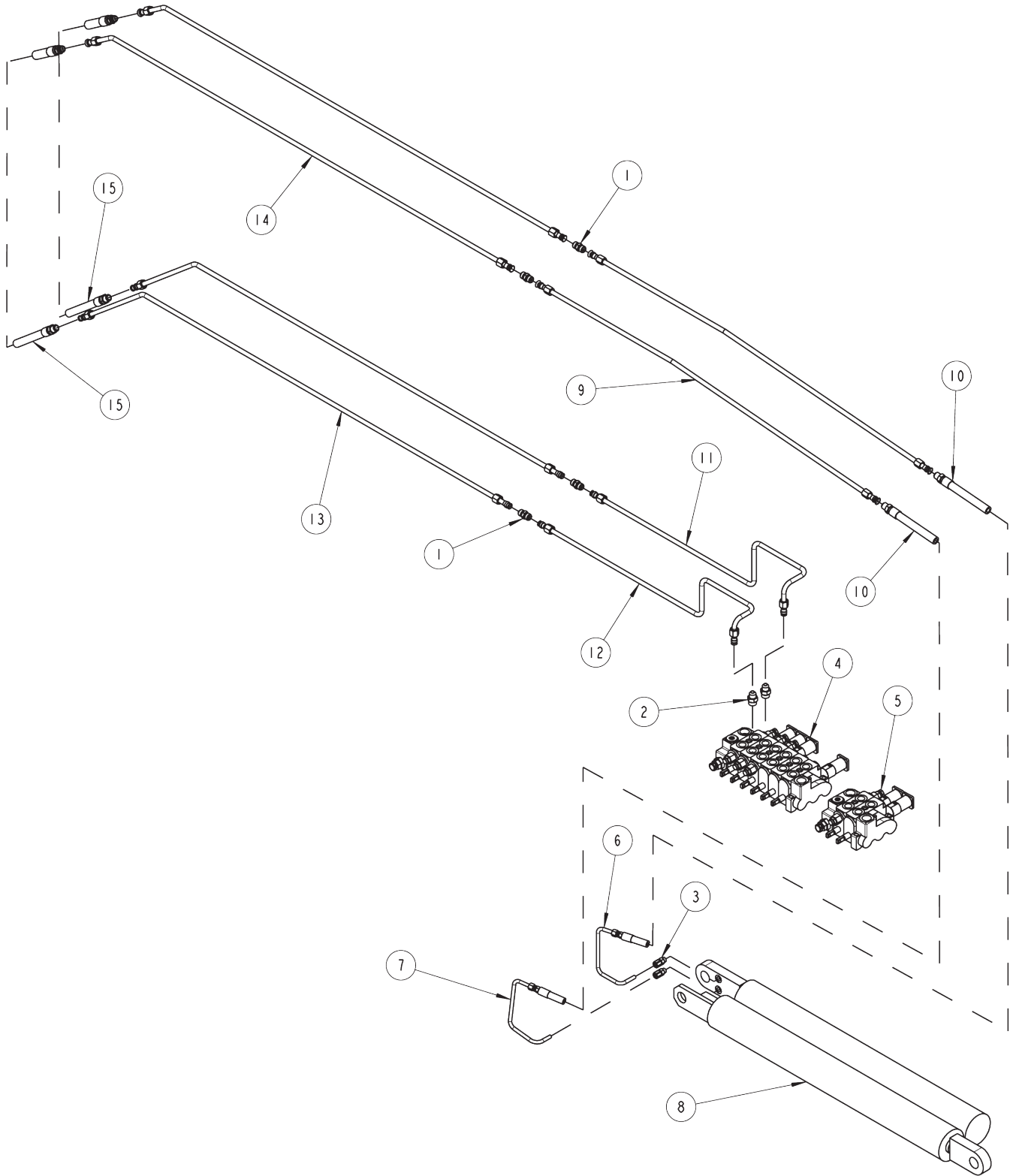


Section I - PARTS (cont'd)

BOOM EXTEND HYDRAULICS

ITEM	PART NUMBER	DESCRIPTION	QTY
1	0302275	CONNECTOR 8MJX6MB	2
2	0302827	CONNECTOR 10MJX10MB	2
3	0307003	INLINE ORIFICE	2
4	0307082	CYLINDER - BOOM EXTEND	1
5	9016021	VALVE 6 SPOOL	1
6	9016022	VALVE 2 SPOOL	1
7	945770007	8AT2(10MJ-8FJ) HCL 48	2
8	946760003	HYD TUBE ASSY. MAIN BOOM EXT.	2
9	946760017	HYD TUBE ASSY. 5/8" END SECTION	2

Section I - PARTS (cont'd)
UNDERLIFT EXTEND HYDRAULICS



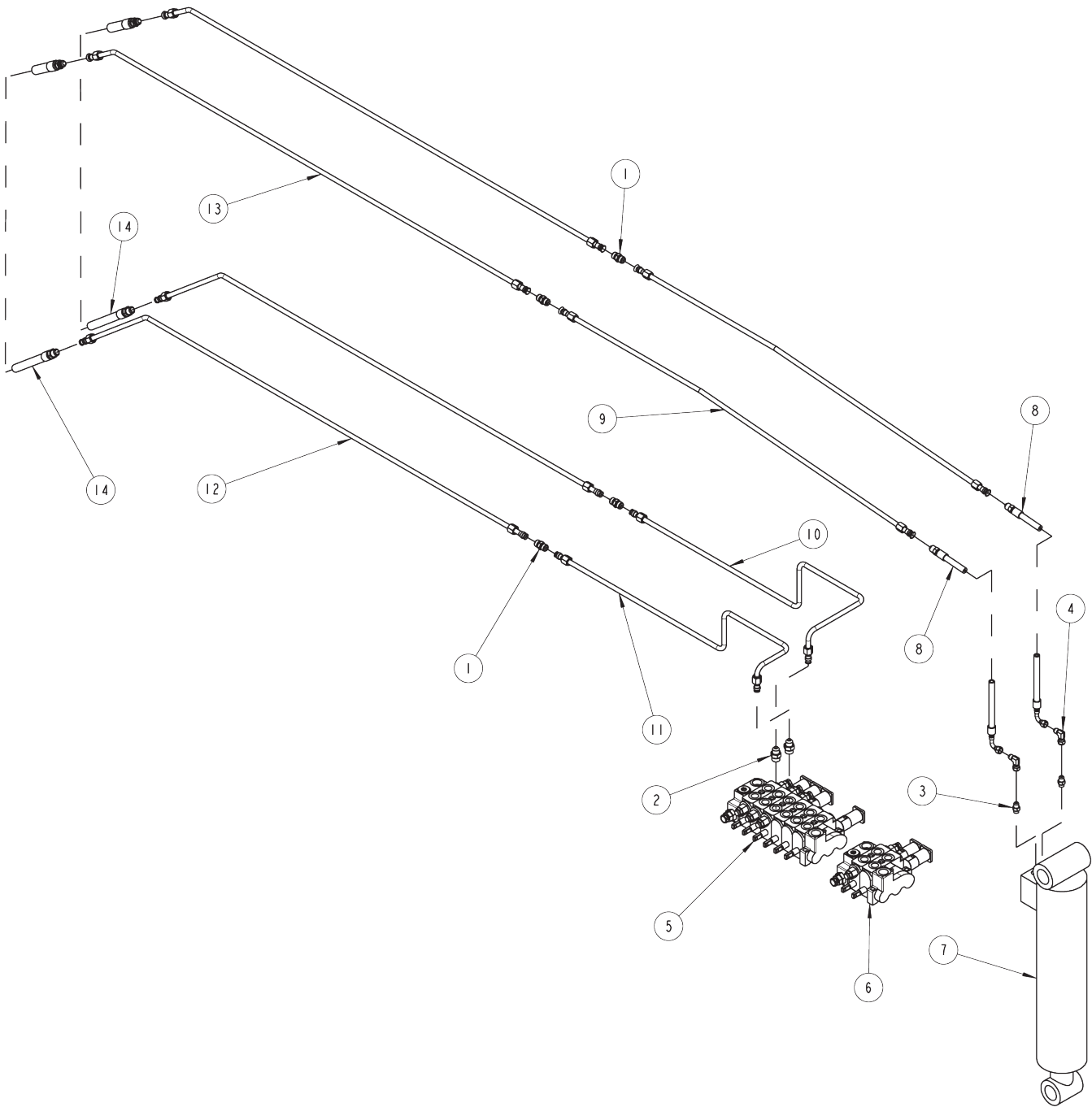
Section I - PARTS (cont'd)

UNDERLIFT EXTEND HYDRAULICS

ITEM	PART NUMBER	DESCRIPTION	QTY
1	0300865	ADAPTER, 8MJ-6MJ	4
2	0301376	CONNECTOR 8MJX10MB	2
3	9012510	CONNECTOR, 9/16" SAE X 3/8" TUBE	2
4	9016021	VALVE 6 SPOOL	1
5	9016022	VALVE 2 SPOOL	1
6	915760022	STINGER SUPPLY TUBE	1
7	915760023	STINGER SUPPLY TUBE	1
8	916720000	STINGER EXT. CYLINDER	1
9	916760001	HYDRAULIC TUBE ASSY	2
10	916770001	HOSE ASSEMBLY, 30" LG	2
11	946760004	HYD TUBE ASSY. STINGER EXT. A PORT	1
12	946760005	HYD TUBE ASSY. STINGER EXT. B PORT	1
13	946760018	HYD TUBE ASSY. 1/2" END SECTION	2
14	946760019	HYD TUBE ASSY	2
15	946770003	HOSE ASSEMBLY, 45" LG	2

Section I - PARTS (cont'd)

UNDERLIFT TILT HYDRAULICS



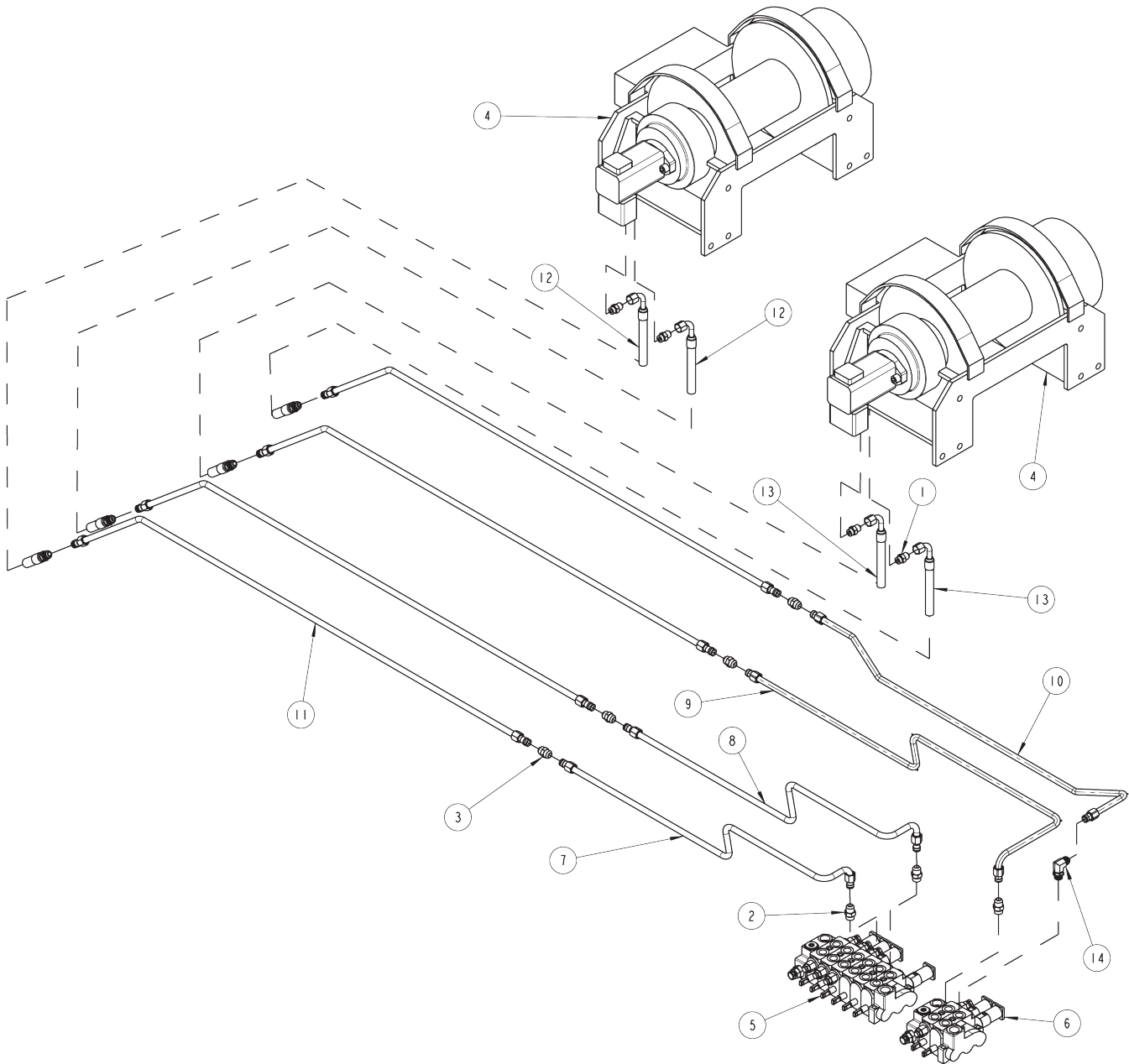
Section I - PARTS (cont'd)

UNDERLIFT TILT HYDRAULICS

ITEM	PART NUMBER	DESCRIPTION	QTY
1	0300865	ADAPTER, 8MJ-6MJ	4
2	0301376	CONNECTOR 8MJX10MB	2
3	0301522	CONNECTOR 6MJ-6MB	2
4	0301696	ELBOW, 6MJ-6FJX90	2
5	9016021	VALVE 6 SPOOL	1
6	9016022	VALVE 2 SPOOL	1
7	915740000	TILT CYLINDER	1
8	915770008	6AT2(6T90S-8MJ) HCL 42	2
9	916760001	HYDRAULIC TUBE ASSY	2
10	946760006	HYD TUBE ASSY. STINGER TILT A PORT	1
11	946760007	HYD TUBE ASSY. STINGER TILT B PORT	1
12	946760018	HYD TUBE ASSY. 1/2" END SECTION	2
13	946760019	HYD TUBE ASSY	2
14	946770003	HOSE ASSEMBLY, 45" LG	2

Section I - PARTS (cont'd)

WINCH HYDRAULICS



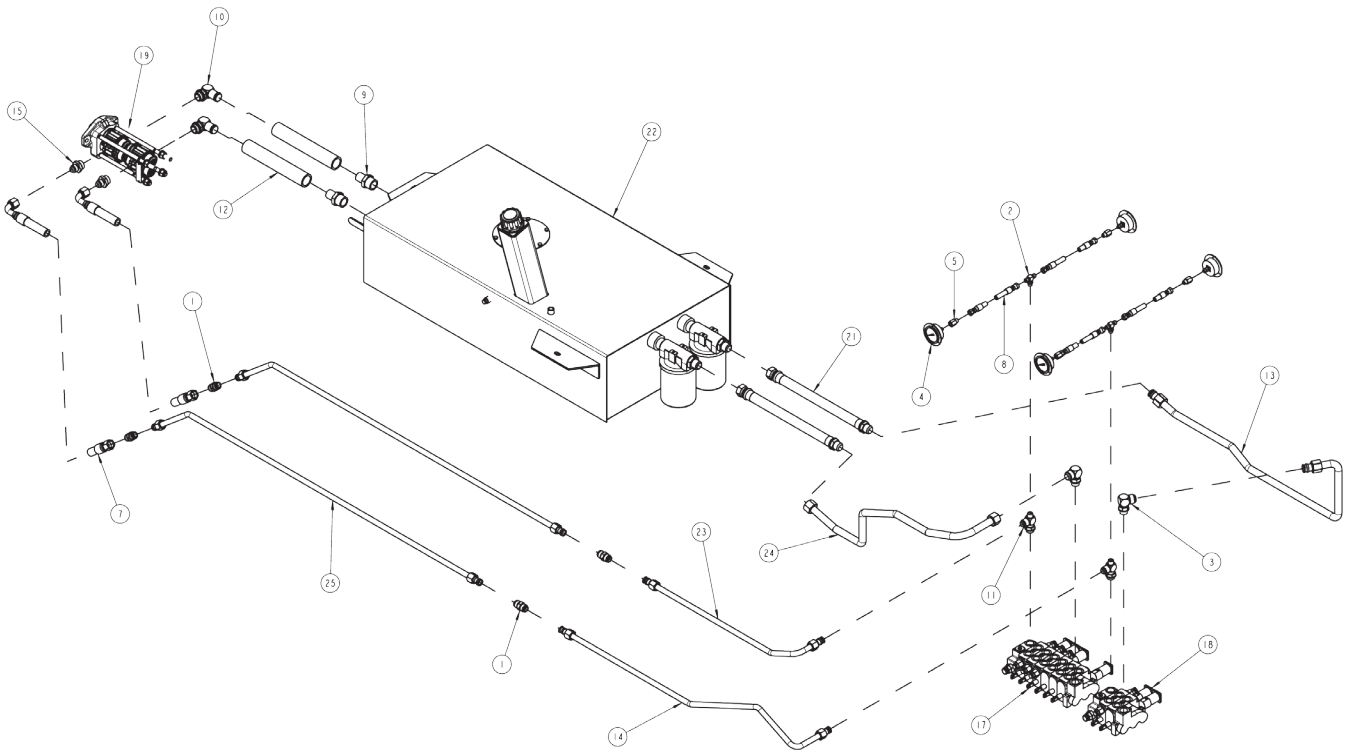
Section I - PARTS (cont'd)

WINCH HYDRAULICS

ITEM	PART NUMBER	DESCRIPTION	QTY
1	0300041	CONNECTOR 8MJX8MB	4
2	0302827	CONNECTOR 10MJX10MB	3
3	0307003	INLINE ORIFICE	4
4	0307061	WINCH DP35	2
5	9016021	VALVE 6 SPOOL	1
6	9016022	VALVE 2 SPOOL	1
7	946760010	HYD TUBE ASSEMBLY	1
8	946760011	HYD TUBE ASSEMBLY	1
9	946760013	TUBE, HYD 5/8X48 3/8	1
10	946760014	TUBE, HYD 5/8X29 3/4	1
11	946760017	HYD TUBE ASSY. 5/8" END SECTION	4
12	946770007	HOSE ASSEMBLY, 89" LG	2
13	946770009	HOSE ASSEMBLY, 89" LG	2
14	GX263	FITTING, ELB 10MJ-10MB90	1

Section I - PARTS (cont'd)

SUBFRAME HYDRAULICS



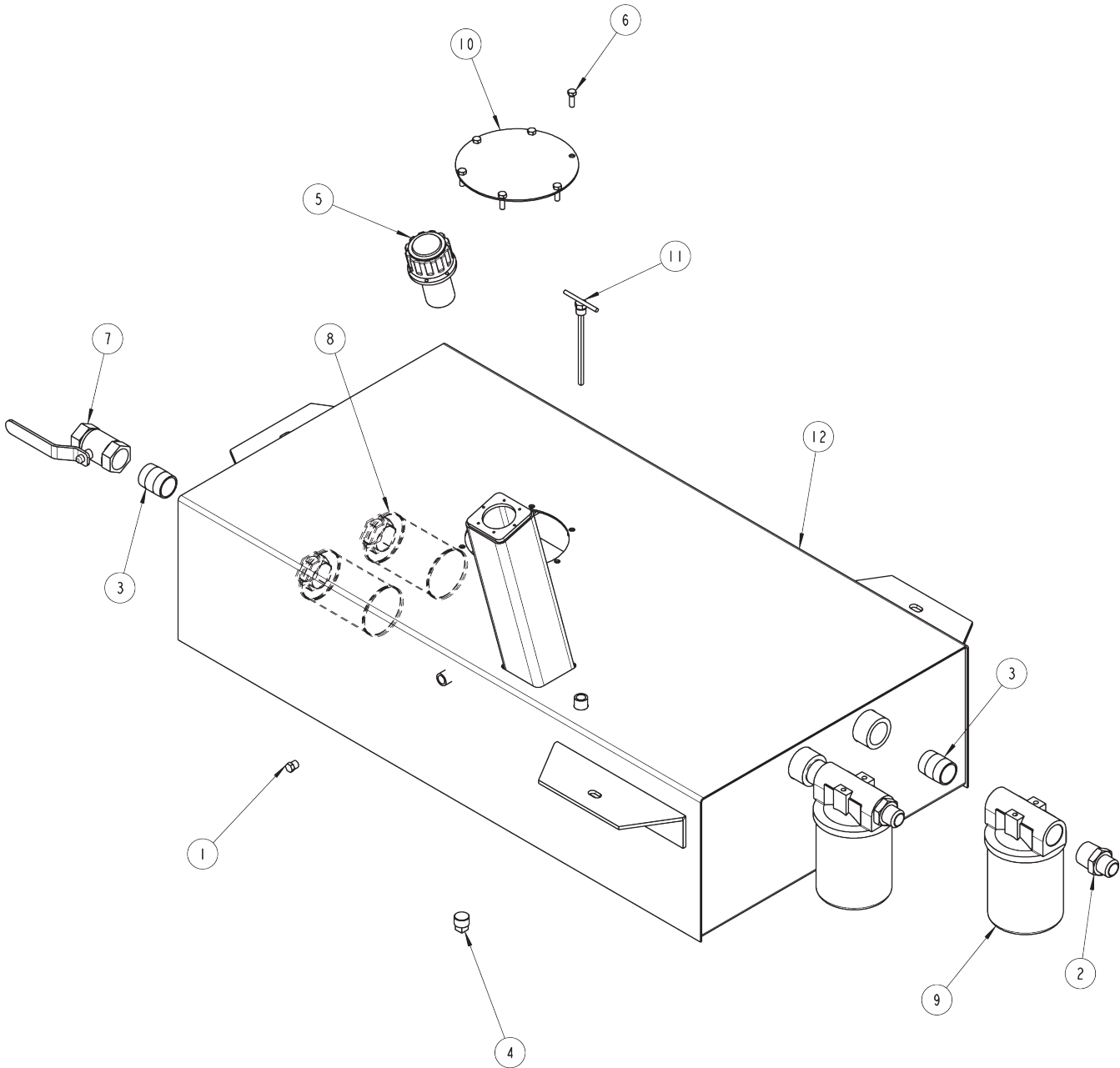
Section I - PARTS (cont'd)

SUBFRAME HYDRAULICS

ITEM	PART NUMBER	DESCRIPTION	QTY
1	0300649	CONNECTOR, 12MJ-12MJ	4
2	0301619	BRANCH TEE, 6MJ-6MJ-6MB	2
3	0302083	16MJ-12MB 90 ELBOW	2
4	0302205	GAUGE, FLUSH MOUNT 6000 PSI	4
5	0302577	CONNECTOR, 6MJ-4FP	4
6	0302696	CONNECTOR, 16MJ-20MP	2
7	0302901	HOSE ASSEMBLY, 120" LG	2
8	0303394	HOSE ASSEMBLY, 46" LG	4
9	0306538	HOSE BARB, 20HOSE-20MP	2
10	0306539	HOSE BARB, 20HOSE-16MB90	2
11	0306984	ELBOW, 12MJ-12MB90	2
12	0310010	SUCTION HOSE, 1-1/2" I.D. 100R4	2
13	0310837	HYD TUBE, RETURN REAR VALVE	1
14	0310839	HYD TUBE ASSY, PRESSURE	1
15	9012968	CONNECTOR 8MJX10MB	2
16	9015571	BALL VALVE 1-1/4"	2
17	9016021	VALVE 6 SPOOL	1
18	9016022	VALVE 2 SPOOL	1
19	9016815	MUNCIE PUMP TSPKS17-17-2B	1
20	9018140	FILTER ASSEMBLY, SPIN-ON	2
21	915770017	HOSE ASSEMBLY	2
22	915780000	HYDRAULIC TANK ASSY	1
23	946760001	HYD TUBE ASSEMBLY	1
24	946760012	HYD TUBE ASSY, RETURN LINE	1
25	946760016	HYD TUBE ASSY	2

Section I - PARTS (cont'd)

HYDRAULIC TANK ASSEMBLY

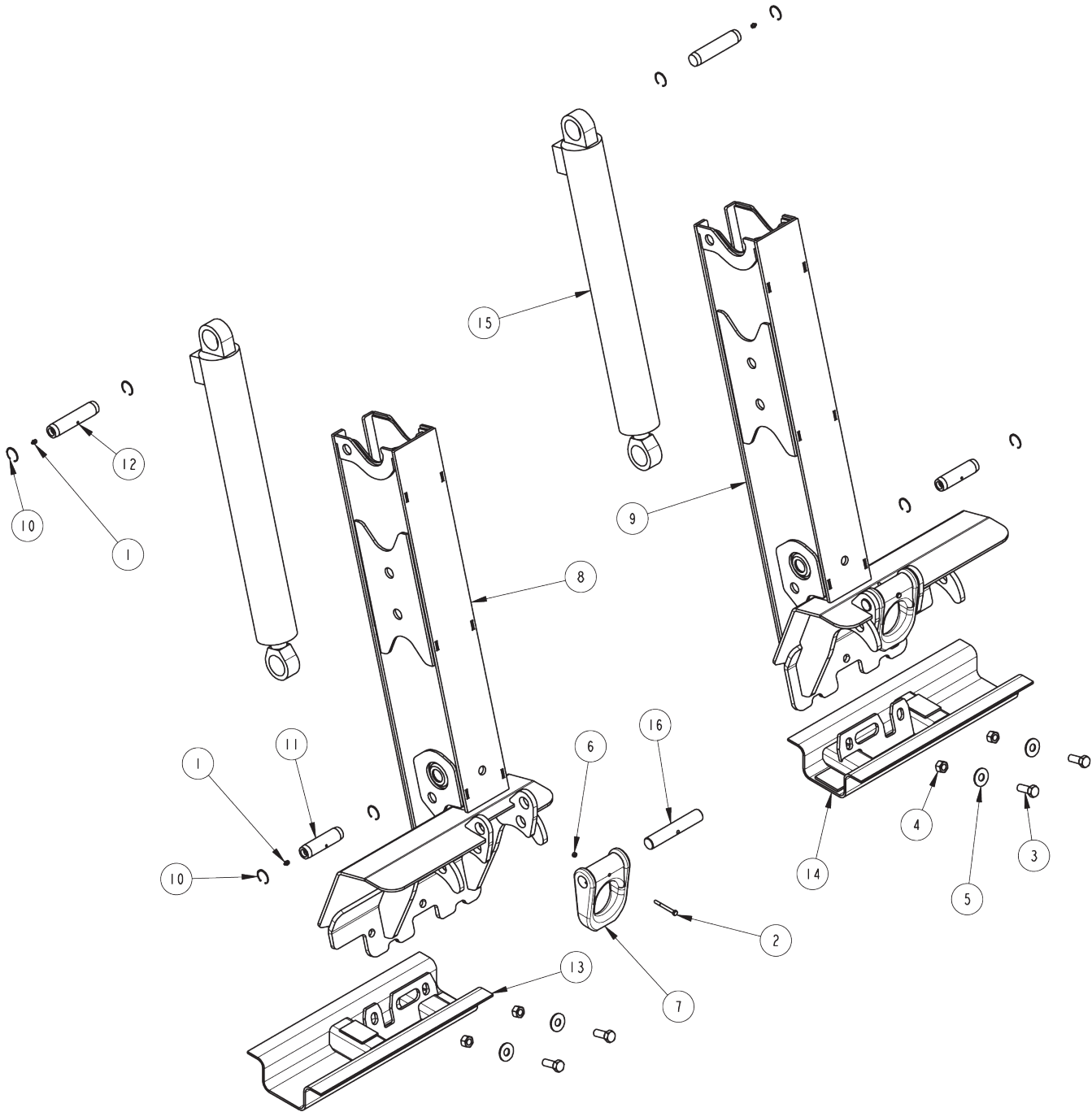


Section I - PARTS (cont'd)

HYDRAULIC TANK ASSEMBLY

ITEM	PART NUMBER	DESCRIPTION	QTY
1	0301618	FITTING, BRASS PLUG 1/4	1
2	0302696	CONNECTOR, 16MJ-20MP	2
3	0302699	PIPE NIPPLE - 1-1/4 X 2	4
4	0303155	PIPE PLUG - 3/4 NPT (MAGNETIC)	1
5	0305006	FILLER CAP	1
6	0400109	5/16-18 X 1 HHCS GR5 ZP	6
7	9015571	BALL VALVE 1-1/4"	2
8	9018139	SUCTION STRAINERS	2
9	9018140	FILTER ASSEMBLY, SPIN-ON	2
10	9401408	INSPECT COVER	1
11	9401418	DIPSTICK WELDMENT	1
12	915780500	HYDRAULIC TANK WELDMENT	1

Section I - PARTS (cont'd)
STANDARD JACKLEG ASSEMBLY



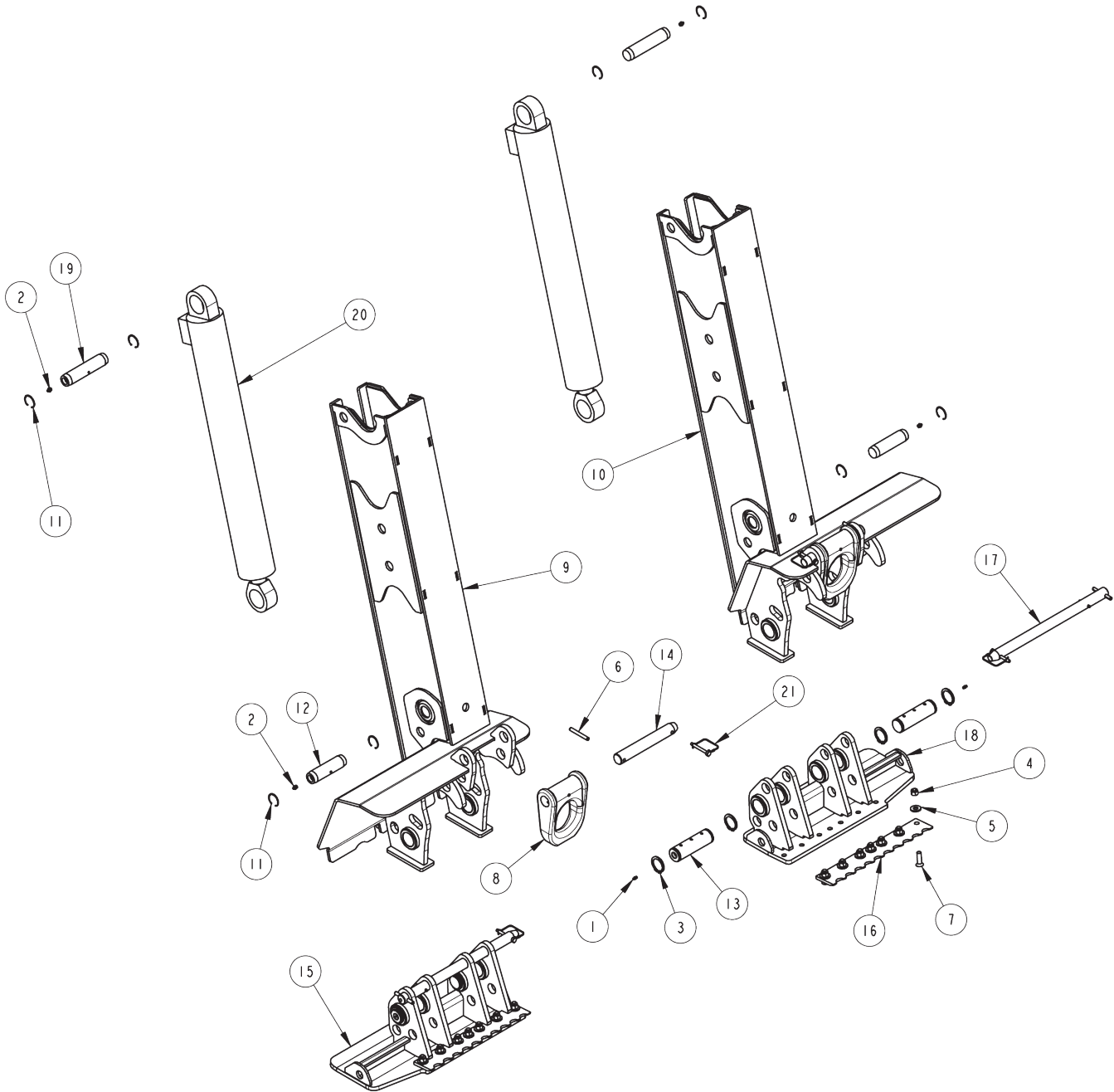
Section I - PARTS (cont'd)

STANDARD JACKLEG ASSEMBLY

ITEM	PART NUMBER	DESCRIPTION	QTY
1	0301895	GREASE FITTING, 1/8 NPT STRAIGHT	6
2	0400114	5/16-18 X 3 HHCS GR 5 ZP	2
3	0400283	3/4-10 X 2 GR8 HHCS	4
4	0400438	3/4-10 HEX NUT ZP	4
5	0400490	3/4 FLAT WASHER GR.8	4
6	0400776	5/16-18 HEX NUT JAM NYLOK	2
7	0719585	"D" RING - TOWING	2
8	0807947	LH JACK LEG WELDMENT - STANDARD	1
9	0807948	RH JACK LEG WELDMENT - STANDARD	1
10	9054150	SNAP RING, 1-1/4" NOM INTERNAL	8
11	920900007	PIN, LOWER STIFFLEG CYLINDER	2
12	930350001	PIN, UPPER STIFFLEG	2
13	945550500	LH STABILIZER WELDMENT	1
14	945557500	RH STABILIZER WELDMENT	1
15	945720000	STIFF LEG CYLINDER - 45	2
16	GA0215	PIN, D RING	2

Section I - PARTS (cont'd)

JACKLEG ASSEMBLY W/ FLIPPER FEET



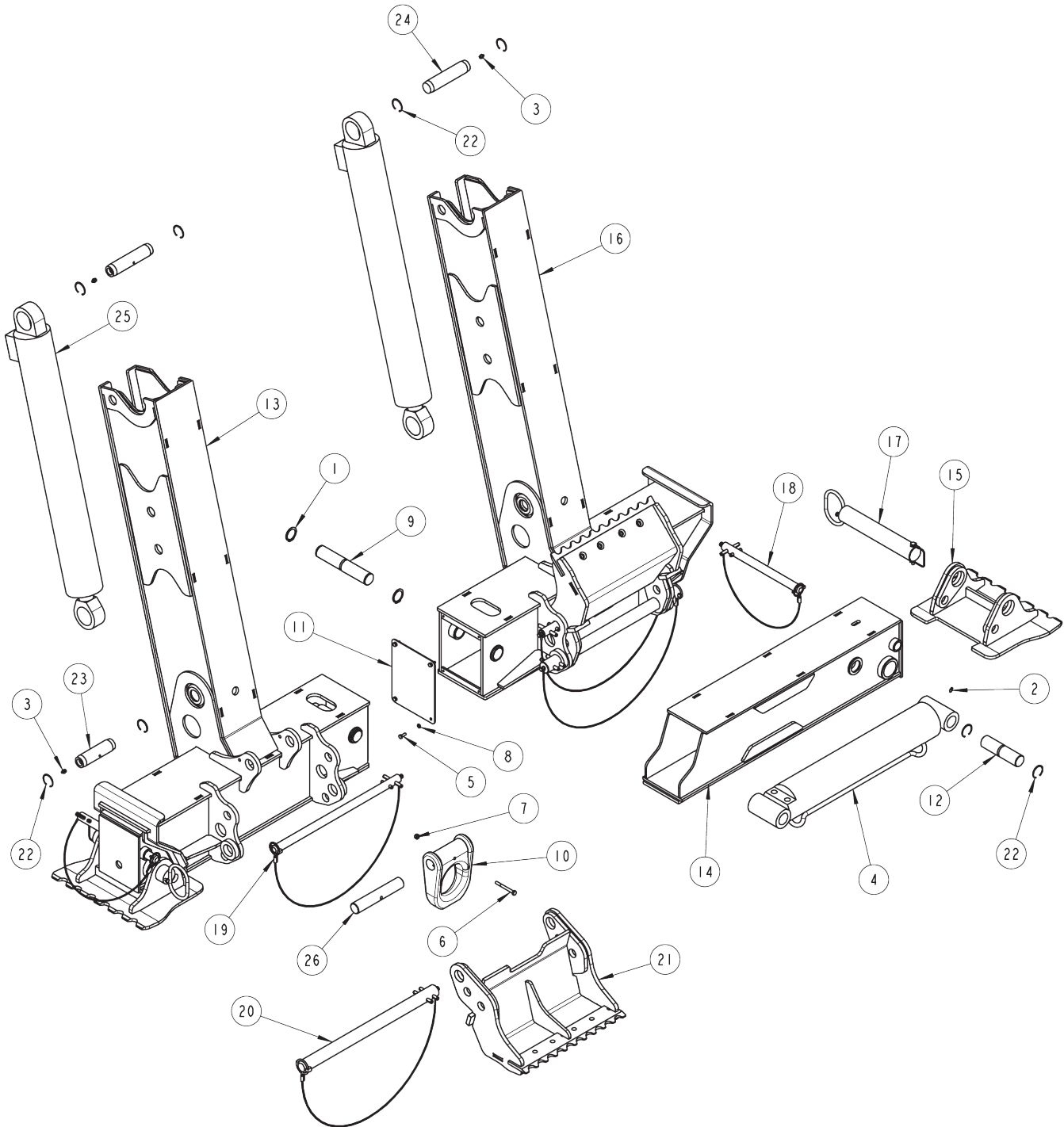
Section I - PARTS (cont'd)

JACKLEG ASSEMBLY W/ FLIPPER FEET

ITEM	PART NUMBER	DESCRIPTION	QTY
1	0300113	GREASE FITTING, 1/4-28 STRAIGHT	4
2	0301895	GREASE FITTING, 1/8 NPT STRAIGHT	6
3	0310121	RETAINING RING, 1-1/2"	8
4	0400416	1/2-13 NYLOCK HEX NUT GR.8, ZP	14
5	0400497	1/2 FLAT WASHER GR 8 ZP	14
6	0400568	3/8 X 3 ROLL PIN ZP	2
7	0400774	1/2-13 X 1 FLAT HEAD SOCKET CAP SCR	14
8	0719585	"D" RING - TOWING	2
9	0807725	LH JACK LEG WELDMENT	1
10	0807726	RH JACK LEG WELDMENT	1
11	9054150	SNAP RING, 1-1/4" NOM INTERNAL	8
12	920900007	PIN, LOWER STIFFLEG CYLINDER	2
13	930230101	PIN - SWIVEL PADS	4
14	930230103	PIN - D RING - INNER LEG FLIPPER TYPE	2
15	930232000	FLIPPER PAD WELDMENT -INNER LEG (LH)	1
16	930232005	BLADE FLIPPER PAD WELDMENT	2
17	930233000	PIN ASSEMBLY, LOCK FLIPPER FEET	2
18	930239000	FLIPPER PAD WELDMENT -INNER LEG (RH)	1
19	930350001	PIN, UPPER STIFFLEG	2
20	945720000	STIFF LEG CYLINDER - 45	2
21	HD1259	PIN, SAFETY SNAP	2

Section I - PARTS (cont'd)

REAR OUTRIGGER OPTION



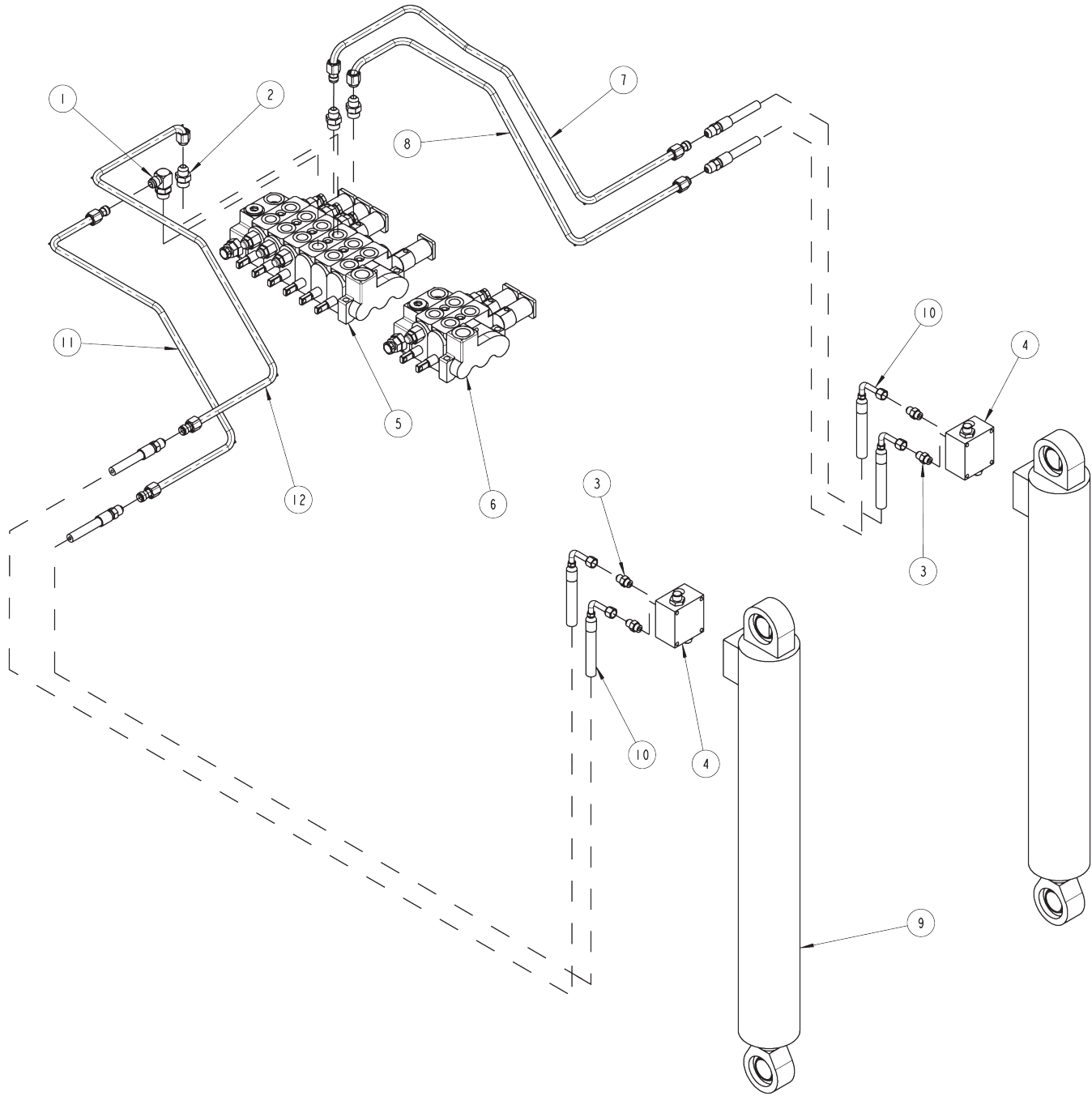
Section I - PARTS (cont'd)

REAR OUTRIGGER OPTION

ITEM	PART NUMBER	DESCRIPTION	QTY
1	0300109	RETAINING RING, 1-1/2"	4
2	0300113	GREASE FITTING, 1/4-28 STRAIGHT	2
3	0301895	GREASE FITTING, 1/8 NPT STRAIGHT	6
4	0310145	CYLINDER ASSEMBLY	2
5	0400066	1/4-20 X 3/4 HHCS GR.5,ZP	16
6	0400114	5/16-18 X 3 HHCS GR 5 ZP	2
7	0400382	5/16-18 NYLOCK HEX NUT ZP	2
8	0400452	1/4 HELICAL LOCK WASHER ZP	16
9	0719540	PIN - EXTEND CYLINDER (BASE END)	2
10	0719585	"D" RING - TOWING	2
11	0724617	PLATE - OUTRIGGER COVER	2
12	0724635	PIN - EXTEND CYLINDER	2
13	0810030	LH REAR OUTER OUTRIGGER	1
14	0810033	REAR INNER OUTRIGGER WELD'T	2
15	0810035	REAR OUTRIGGER PAD WELDMT	2
16	0810047	RH REAR OUTER OUTRIGGER	1
17	0906963	PIN REAR OUTRIGGER PAD ASSY	2
18	0911122	RETAINER PIN ASSEMBLY	2
19	0911123	RETAINER PIN ASSEMBLY	2
20	0911124	RETAINER PIN ASSEMBLY	2
21	0911167	SPADE WELDMENT - REAR OUTRIGGER	2
22	9054150	SNAP RING, 1-1/4" NOM INTERNAL	12
23	920900007	PIN, LOWER STIFFLEG CYLINDER	2
24	930350001	PIN, UPPER STIFFLEG	2
25	945720000	STIFF LEG CYLINDER - 45	2
26	GA0215	PIN, D RING	2

Section I - PARTS (cont'd)

JACKLEG HYDRAULICS



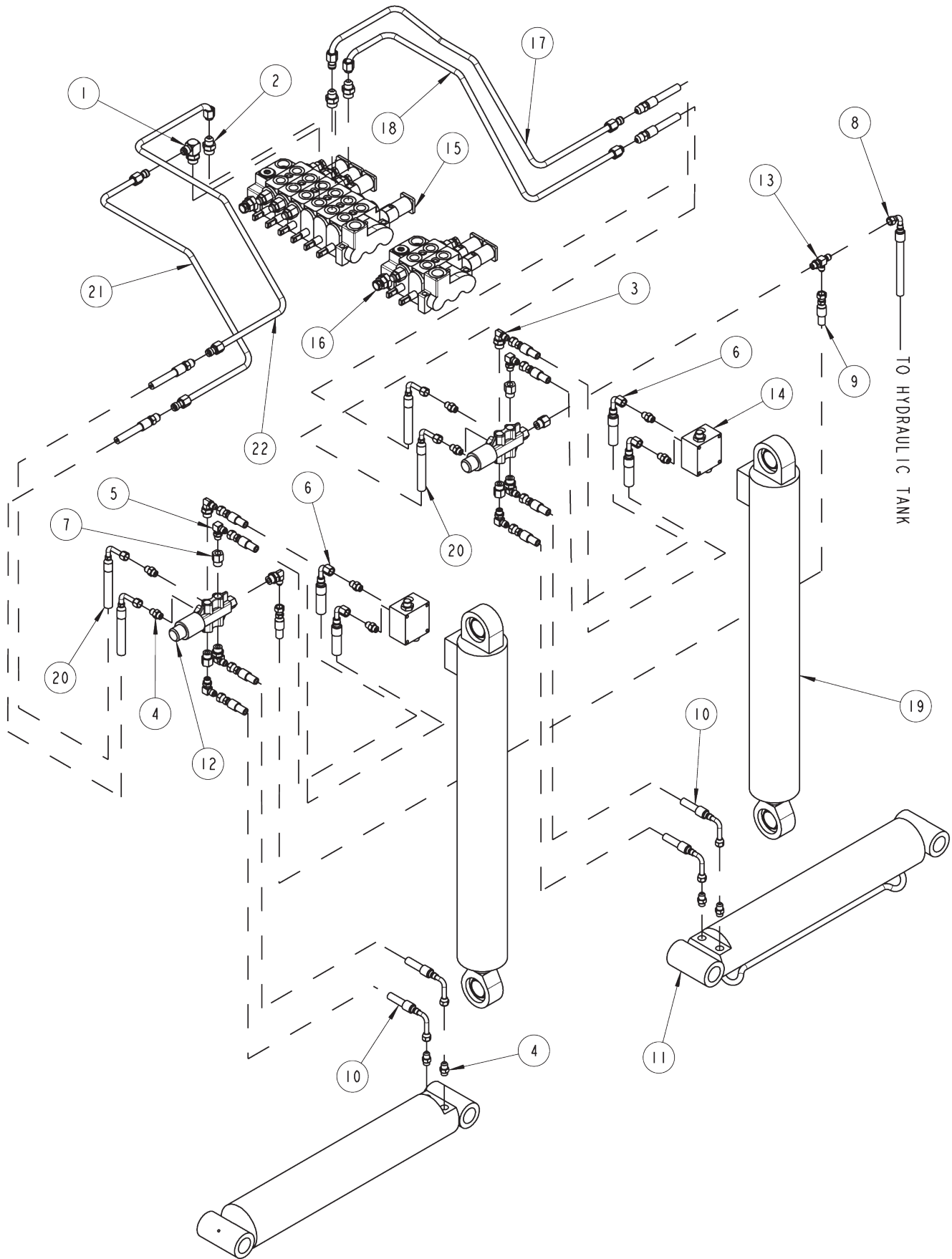
Section I - PARTS (cont'd)

JACKLEG HYDRAULICS

ITEM	PART NUMBER	DESCRIPTION	QTY
1	0300052	ELBOW, 8MJ-10MB90	1
2	0301376	CONNECTOR 8MJX10MB	3
3	0301522	CONNECTOR 6MJ-6MB	4
4	9015738	HOLDING VALVE	2
5	9016021	VALVE 6 SPOOL	1
6	9016022	VALVE 2 SPOOL	1
7	930760010	HYDRAULIC TUBE ASSEMBLY	1
8	930760011	HYDRAULIC TUBE ASSEMBLY	1
9	945720000	STIFF LEG CYLINDER	2
10	945770003	HOSE ASSEMBLY - STIFFLEG CYLINDER	4
11	946760008	HYDRAULIC TUBE ASSEMBLY	1
12	946760009	HYDRAULIC TUBE ASSEMBLY	1

Section I - PARTS (cont'd)

OUTRIGGER HYDRAULICS



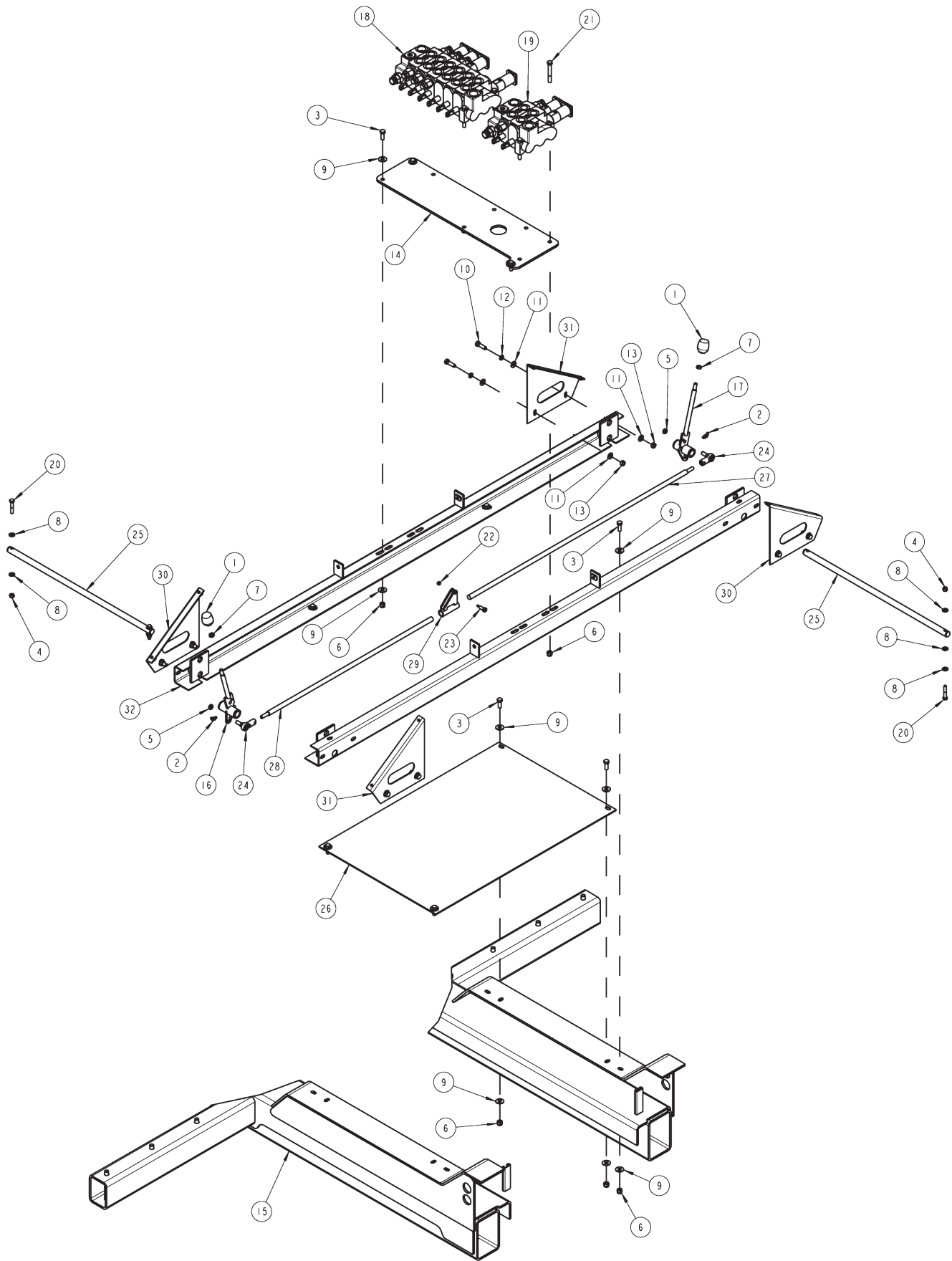
Section I - PARTS (cont'd)

OUTRIGGER HYDRAULICS

ITEM	PART NUMBER	DESCRIPTION	QTY
1	0300052	ELBOW, 8MJ-10MB90	1
2	0301376	CONNECTOR 8MJX10MB	3
3	0301470	FITTING - HYDRAULIC ELBOW 6MJ-8MB90	5
4	0301522	CONNECTOR 6MJ-6MB	12
5	0301620	FITTING, ELBOW, 6MJ-6MB90	4
6	0301998	HOSE HYD, 24" LG	4
7	0303017	CONNECTOR 8MBX6FB	5
8	0303170	HOSE ASSY - 75" LG.	1
9	0303185	HOSE ASSY - 66" LG.	1
10	0307525	HOSE ASSY - 120" LG	4
11	0310145	CYLINDER ASSEMBLY	2
12	0310881	6 WAY DIVERTER VALVE	2
13	9012594	FITTING, HYD RUN TEE, 6MJ-6MB-6MJ	1
14	9015738	HOLDING VALVE	2
15	9016021	VALVE 6 SPOOL	1
16	9016022	VALVE 2 SPOOL	1
17	930760010	HYDRAULIC TUBE ASSEMBLY	1
18	930760011	HYDRAULIC TUBE ASSEMBLY	1
19	945720000	STIFF LEG CYLINDER	2
20	945770003	HOSE ASSEMBLY - STIFFLEG CYLINDER	4
21	946760008	HYDRAULIC TUBE ASSEMBLY	1
22	946760009	HYDRAULIC TUBE ASSEMBLY	1

Section I - PARTS (cont'd)

DUAL CONTROL ASSEMBLY



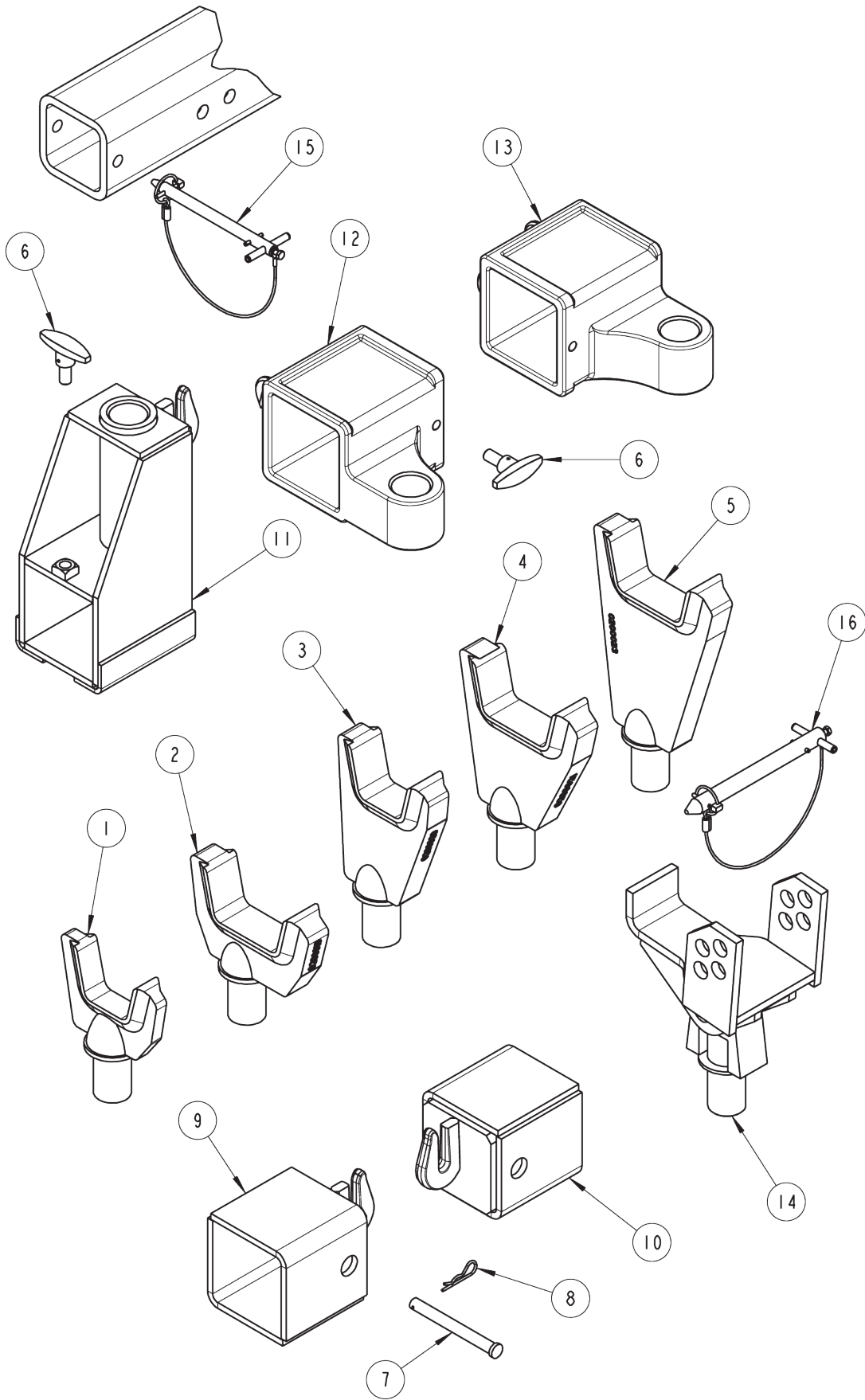
Section I - PARTS (cont'd)

DUAL CONTROL ASSEMBLY

ITEM	PART NUMBER	DESCRIPTION	QTY
1	0300341	KNOB, BLACK (BLANK)	16
2	0302726	GREASE FITTING, 1/4"-28 X 45°	16
3	0400126	3/8-16 X 1 HHCS GR.5,ZP	11
4	0400382	5/16-18 NYLOCK HEX NUT ZP	4
5	0400387	3/8-24 HEX JAM NUT ZP	16
6	0400392	3/8-16 NYLOCK HEX NUT ZP	17
7	0400393	3/8"-16 HEX JAM NUT	16
8	0400463	5/16 FLAT WASHER ZP	12
9	0400480	3/8 FLAT WASHER ZP	22
10	0402043	3/8-16 X 1-1/4 HHCS SS	8
11	0402120	3/8 FLATWASHER 316 SS	16
12	0402121	3/8 LOCKWASHER 316 STAINLESS	8
13	0402122	HEX NUT 316 STAINLESS	8
14	0723377	D.C.V. MTG. PLATE	1
15	0810080	NV-50 SUBFRAME	1
16	0907441	CONTROL HANDLE ASSY	8
17	0907442	CONTROL HANDLE ASSY	8
18	9016021	VALVE 6 SPOOL	1
19	9016022	VALVE 2 SPOOL	1
20	9041108	5/16-18 X 1-3/4 HHCS GR 8 ZP	4
21	9041212	3/8-16 X 2-3/4 LG. HHCS GR.8	6
22	9043371	3/8-16 NYLOCK HEX NUT ZP	8
23	9043713	M8 X 20 SOCKET SHOULDER BOLT	8
24	9048513	SPHERICAL ROD END	16
25	930400001	PIVOT PIN	2
26	930400009	PLATE- BOTTOM	1
27	930400012	RH CONTROL ROD (SHORT)	8
28	930400013	LH CONTROL ROD (SHORT)	8
29	930402600	SHORT LUG WELDMENT	8
30	942480300	LH MTG ANGLE WELDMENT	2
31	942487300	RH MTG ANGLE WELDMENT	2
32	946400600	CHANNEL WELDMENT	2

Section I - PARTS (cont'd)

LIFT ADAPTERS



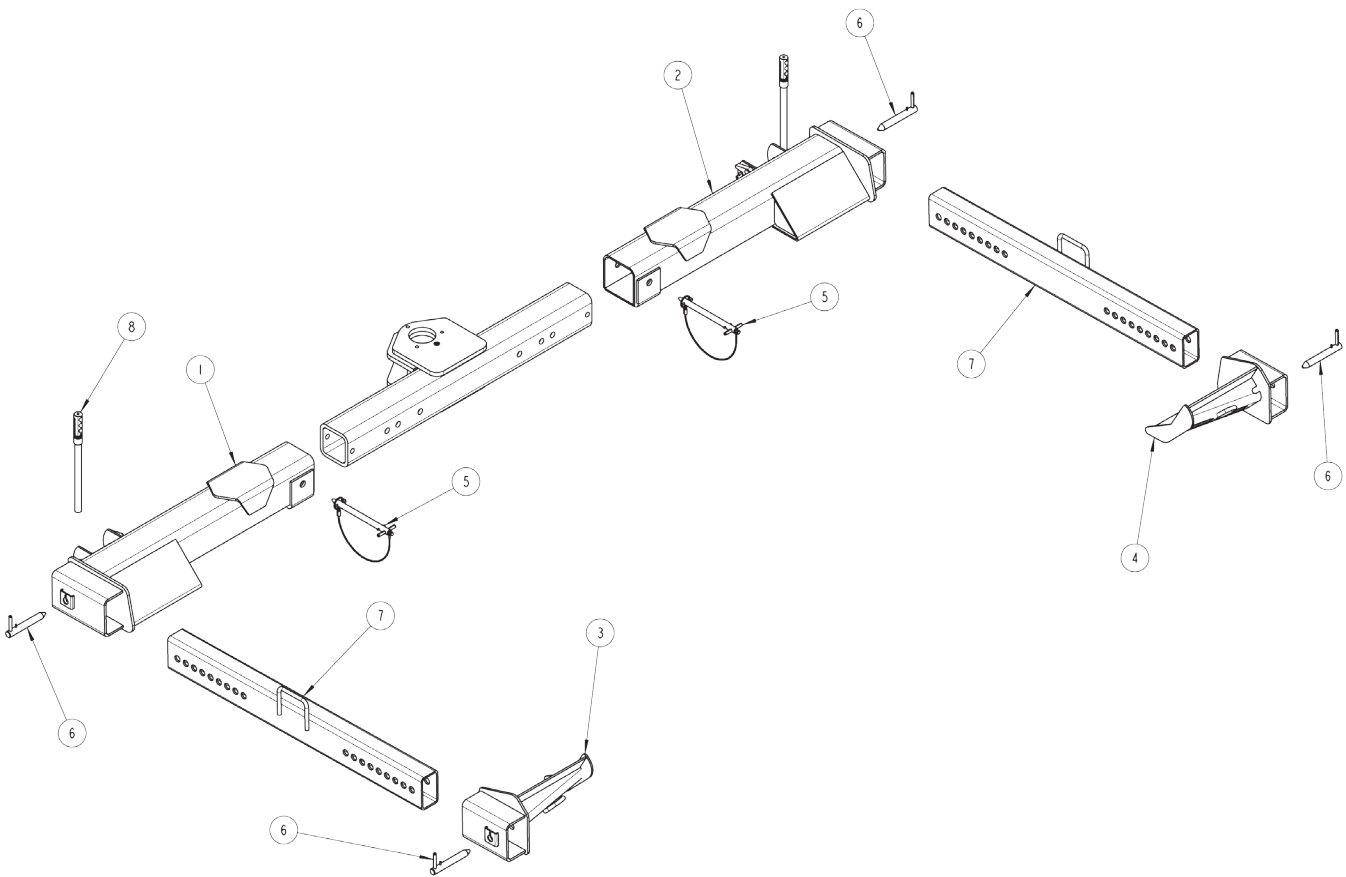
Section I - PARTS (cont'd)

LIFT ADAPTERS

ITEM	PART NUMBER	DESCRIPTION	QTY
1	0200018	FORK, SHORT (3" OPENING)	2
2	0200019	FORK, SHORT (3" OPENING)	2
3	0200020	FORK, MEDIUM (3" OPENING)	2
4	0200021	FORK, MEDIUM (3" OPENING)	2
5	0200023	FORK, LONG (3" OPENING)	2
6	0306564	T HANDLE	4
7	0310230	CLEVIS PIN, 5/8 X 6 ZP	2
8	0400886	COTTER PIN, 1-1/4" HAIR PIN	2
9	0801186	CHAIN ADAPTER, RIGHT	1
10	0801187	CHAIN ADAPTER, LEFT	1
11	0801459	RISER BRACKET, HDU	2
12	0803591	LH OFFSET FORK RECIEVER	1
13	0803592	RH OFFSET FORK RECIEVER	1
14	0807023	PIVOT SPRING LIFT BRACKET, EXTRA WIDE	2
15	0900900	RETAINING PIN ASSEMBLY	2
16	0908672	RETAINING PIN, SPRING LIFT	2

Section I - PARTS (cont'd)

5X5 BUS LIFT ASSEMBLY



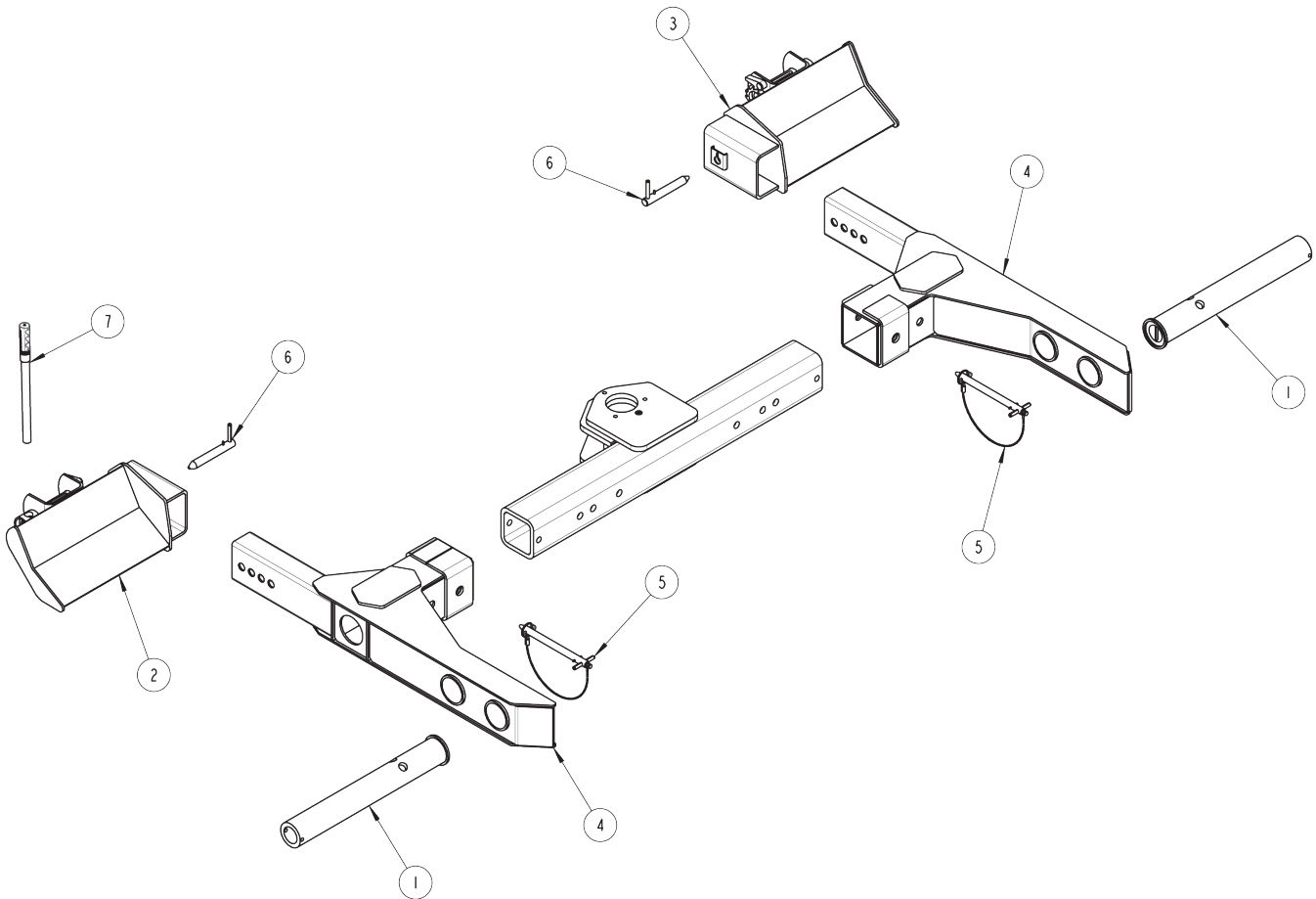
Section I - PARTS (cont'd)

5X5 BUS LIFT ASSEMBLY

ITEM	PART NUMBER	DESCRIPTION	QTY
1	0804491	OUTER CROSSTUBE-WELDMENT-LH 5"	1
2	0804492	OUTER CROSSTUBE-WELDMENT-RH 5"	1
3	0804495	SUPPORT - TIRE WELDMENT-LH	1
4	0804496	SUPPORT - TIRE WELDMENT-RH	1
5	0902947	PIN- RETAINER ASSY	2
6	0903089	PIN-RETAINER ASSY	4
7	0903480	TUBE - ADJUSTMENT & DECAL	2
8	945520100	RATCHET HANDLE ASSY - BUS LIFT	1
9	945525000	BUS LIFT WHEEL STRAP ASSY (NS)	1

Section I - PARTS (cont'd)

EURO BUS LIFT ASSEMBLY



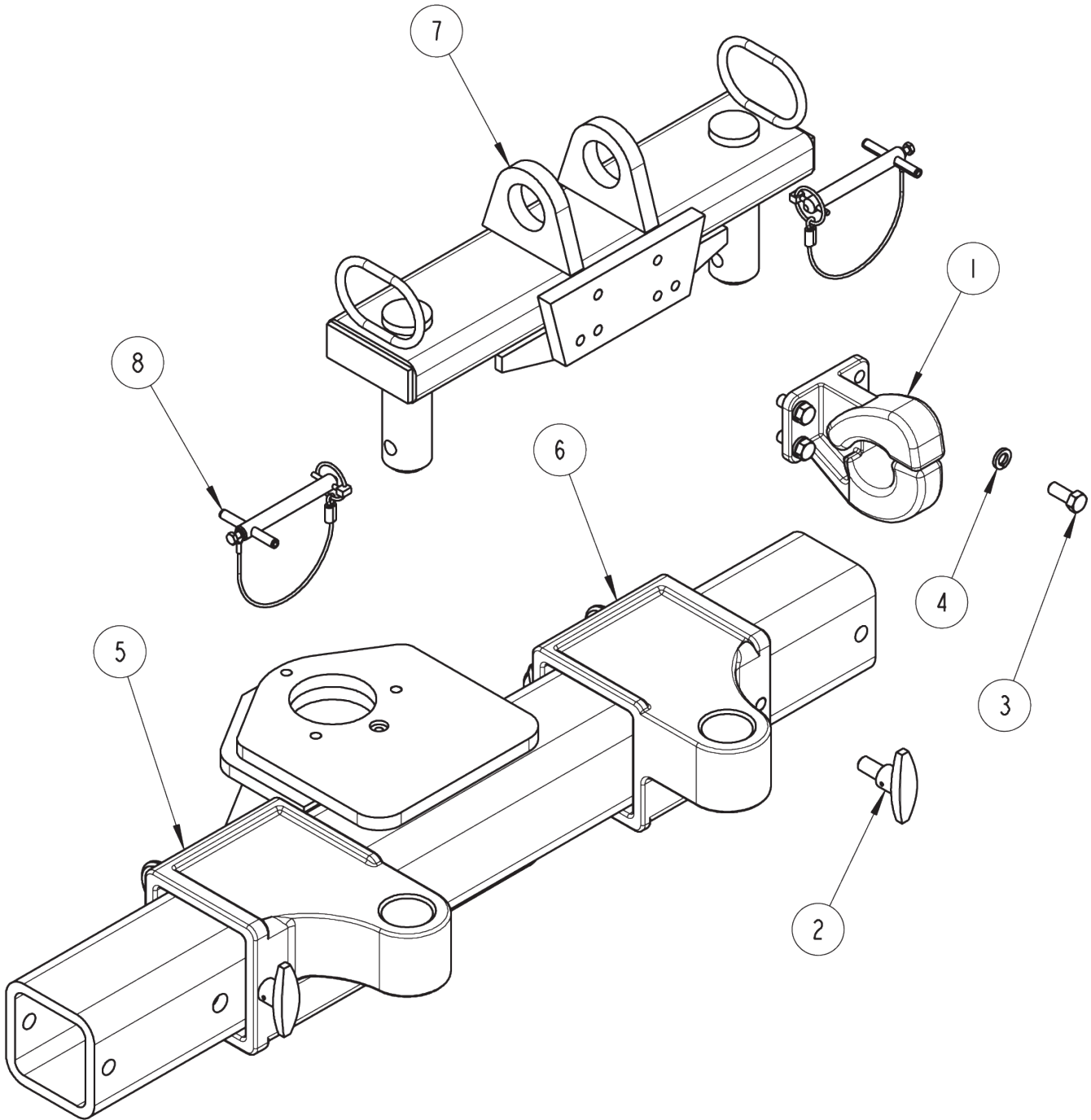
Section I - PARTS (cont'd)

EURO BUS LIFT ASSEMBLY

ITEM	PART NUMBER	DESCRIPTION	QTY
1	0804499	TIRE SUPPORT TUBE WELDMENT	2
2	0804501	SUPPORT - TIRE WELDMENT-LH	1
3	0804502	TIRE SUPPORT PLATE ASSY (RH)	1
4	0805974	ARM WELDMENT	2
5	0902947	PIN- RETAINER ASSY	2
6	0903089	PIN-RETAINER ASSY	2
7	945520100	RATCHET HANDLE ASSY - BUS LIFT	1
9	945525000	BUS LIFT WHEEL STRAP ASSY (NS)	1

Section I - PARTS (cont'd)

PINTLE HOOK ADAPTER



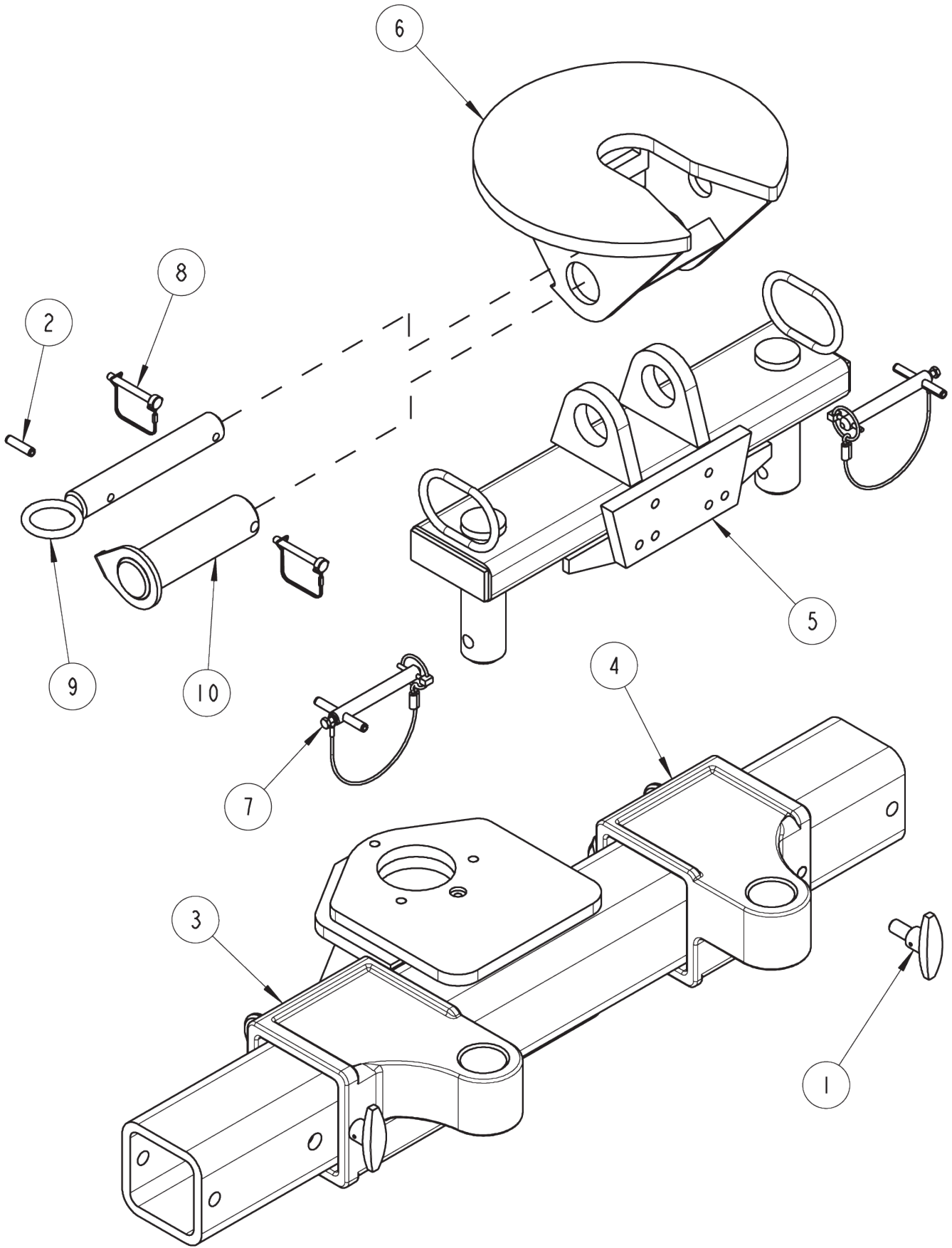
Section I - PARTS (cont'd)

PINTLE HOOK ADAPTER

ITEM	PART NUMBER	DESCRIPTION	QTY
1	0302198	PINTLE HOOK	1
2	0306564	T HANDLE	2
3	0400177	1/2-13 X 1 1/4 HHCS GR 5, ZP	4
4	0400491	1/2 HELICAL LOCK WASHER ZP	4
5	0803591	LH OFFSET FORK RECIEVER	1
6	0803592	RH OFFSET FORK RECIEVER	1
7	0803831	5TH WHEEL & KING PIN ADAPTER	1
8	0902378	RETAINER PIN ASSEMBLY, 3224	2

Section I - PARTS (cont'd)

5TH WHEEL ADAPTER



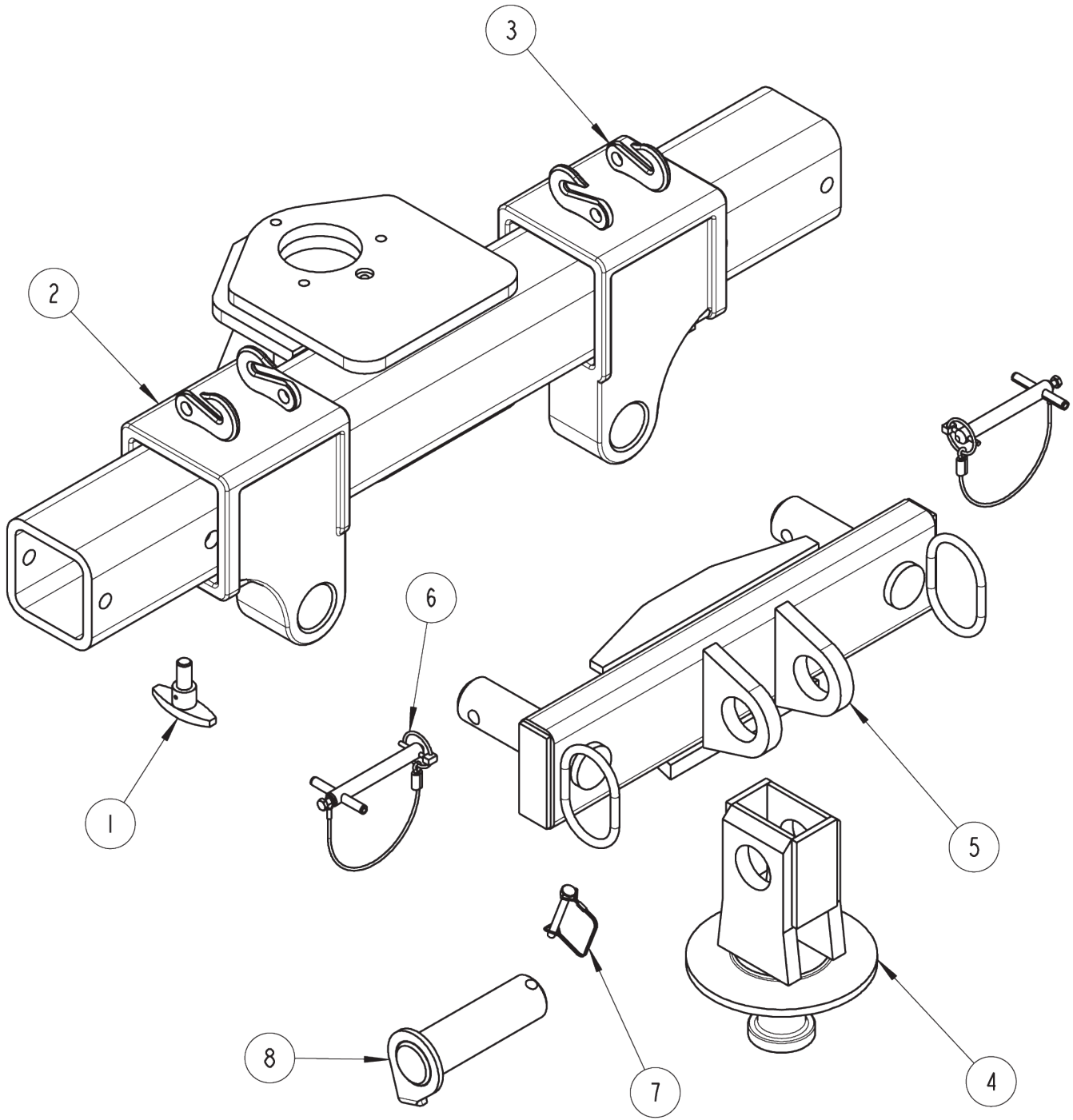
Section I - PARTS (cont'd)

5TH WHEEL ADAPTER

ITEM	PART NUMBER	DESCRIPTION	QTY
1	0306564	T HANDLE	2
2	0400555	3/8 X 1-1/2 ROLL PIN ZP	1
3	0803591	LH OFFSET FORK RECIEVER	1
4	0803592	RH OFFSET FORK RECIEVER	1
5	0803831	5TH WHEEL & KING PIN ADAPTER	1
6	0804053	5TH WHEEL PIVOT PLATE WELDMENT	1
7	0902378	RETAINER PIN ASSEMBLY, 3224	2
8	HD1259	PIN, SAFETY SNAP	2
9	VA0661	PULL PIN WELDMENT	1
10	VA0662	PIVOT PIN WELDMENT	1

Section I - PARTS (cont'd)

KING PIN ADAPTER



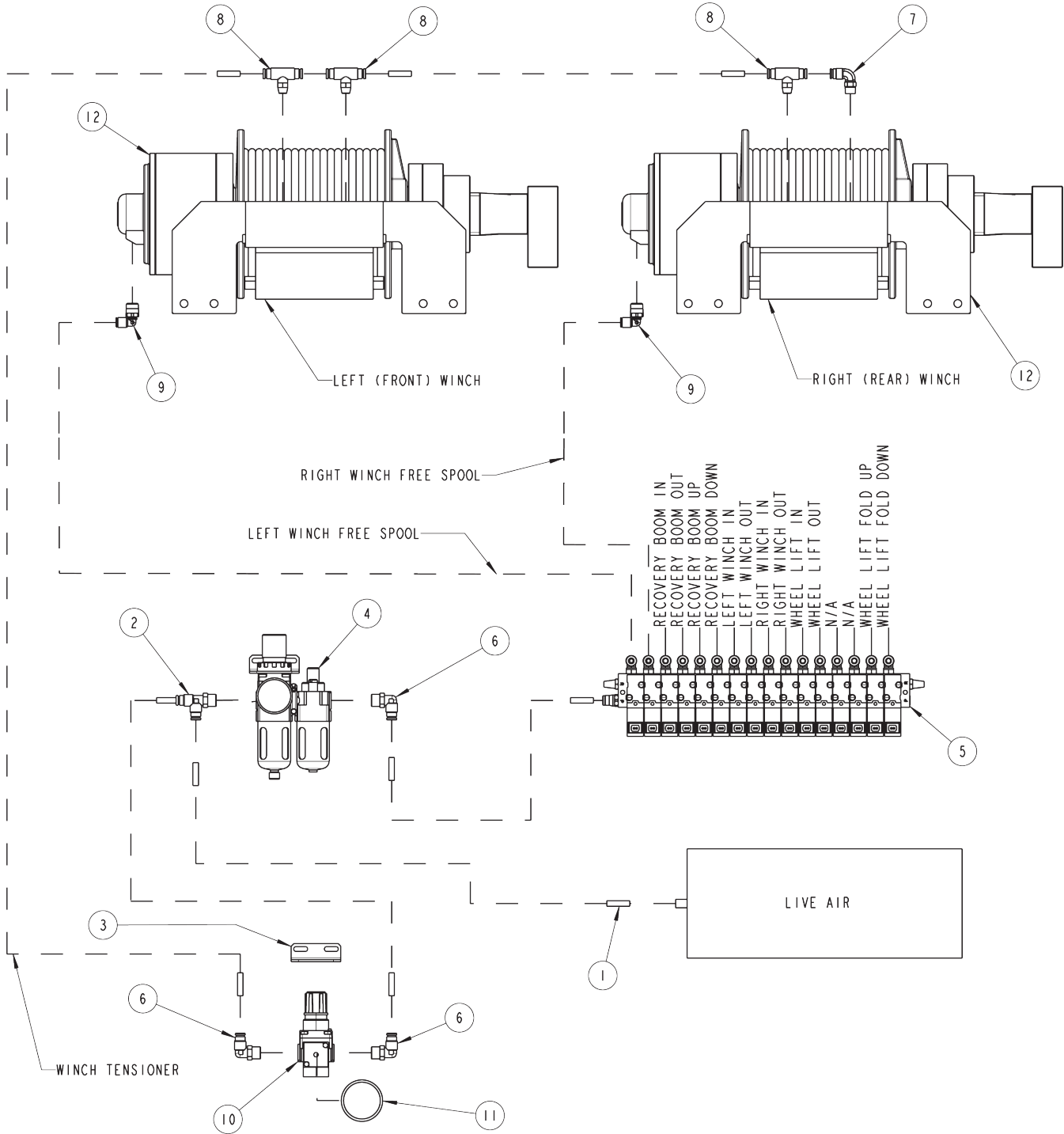
Section I - PARTS (cont'd)

KING PIN ADAPTER

ITEM	PART NUMBER	DESCRIPTION	QTY
1	0306564	T HANDLE	2
2	0803591	LH OFFSET FORK RECIEVER	1
3	0803592	RH OFFSET FORK RECIEVER	1
4	0803605	ADAPTER - KINGPIN WELDMENT	1
5	0803831	5TH WHEEL & KING PIN ADAPTER	1
6	0902378	RETAINER PIN ASSEMBLY, 3224	2
7	HD1259	PIN, SAFETY SNAP	1
8	VA0662	PIVOT PIN WELDMENT	1

Section I - PARTS (cont'd)

AIR SYSTEM



Section I - PARTS (cont'd)

AIR SYSTEM

ITEM	PART NUMBER	DESCRIPTION	QTY
1	0301577	TUBING- PLASTIC 1/4 OD X 5" AIR LINE	220 FT
2	0306983	MALE RUN TEE, 1/4T-1/4NPT MALE	1
3	0311365	BRACKET	2
4	0909085	KIT, AIR FLR/REG/LUBE COMBO 1/4	1
5	0910536	MNFLD PKG 16 VALVE 24VDC	1
6	9010520	ELBOW, 1/4T-1/4NPT MALE	3
7	9012537	ELBOW, 1/4 NPT X 3/8 TUBE 90	1
8	9012575	TEE FITTING AIR 1/4T-1/4T-1/8 MPX	3
9	9012623	ELBOW, 1/4 TUBE X 1/4 NPT 90	2
10	HA0131	AIR FILTER / REGULATOR COMBO	1
11	HA0132	GAUGE- AIR FILTER/REGULATOR	2
12	9048248	WINCH DP 2-SPD 25K NARROW DRUM	2

Section II - PARTS LIST

PARTS LIST V-70 W/STD STINGER

ITEM	PART NUMBER	DESCRIPTION	QTY
	125070200	V-70, STANDARD STINGER	
	0910994	BUA, V-70, STD STINGER	1
	0911029	SHIP KIT, V-70	1
	0910994	BUA, V-70, STD STINGER	
	0910786	STINGER ASSY - STD - 114"	1
	0911006	SUBFRAME ASSY - V70	1
	0911010	RECOVERY BOOM INSTALL V-70	1
	0910786	STINGER ASSY - STD - 114"	
	0300113	GREASE FITTING,1/4-28 STRAIGHT	4
	0301895	GREASE FITTING,STR 1/8 PTF	4
	0303193	BLACK SKUFF JACKET SJ16	19
	0400134	3/8-24X3/4 FLTHDSKTSCR	3
	0400176	1/2-13X1 HHCS GR5 ZP	1
	0400177	1/2-13X1.25 HHCS GR5 ZP	1
	0400248	5/8-11X1HHCS GR 8 ZP	1
	0400491	1/2" HCL LKWSHR ZP	2
	0400492	1/2" FLATWASHER ZP	2
	0400505	5/8" SAE WASHER 2	
	0400508	5/8" HELICAL LCKWSHR ZP	10
	0400594	1/4-20X5/8 SOC FLT HD	8
	0723463	PLATE, PAD RETAINER	1
	0723476	PLATE, PAD RETAINER	1
	0724348	PIN, EXT CYL REAR MTG -STINGER	1
	0807763	1ST STAGE STINGER WELD'T 116"	1
	0807765	FOLDING BOOM WELD'T 116"	1
	0810009	2ND STAGE STINGER - 116"	1
	9012510	CONNECTOR 6SAE MALE-3/8	2
	9040602	5/8NC X 1 1/4 HHCS GR 8	1
	9044170	1-8X1-1/2 SOC SET SCREW	1
	9044471	5/8-18 X 1 1/4 HHCS PL GR8	8
	9046315	3/16 DIAX1 3/4LG ROLL PI	2
	9046625	7/8X6 1/2 LG HITCH PIN	1
	9054150	1 1/2 INT. RET. RING (C	1
	915760022	HYD.TUBE 3/8 STINGER EX	1
	915760023	HYD.TUBE 3/8 STINGER EX	1
	916770001	HOSE- HYD. 3/8 - 105" 8MJ-6MFA	2
	924902000	LOWER PIN WELD'T	1
	930150001	STOP PAD (FOLDING BOOM)	4
	930150002	SPACER (1ST STAGE STINGE	1
	930150003	TOP PADS 4	
	930150004	BOTTOM PADS 4	
	930150011	PIN (CYL STIFFENER PLATE	1
	930152000	FRONT MTG. PIN WELD'T	1
	930770500	TWIN CYL. ARRANGEMENT WELD-ON	1
	930901500	SHAFT WELD'T - FOLD.BOOM PIVOT	1
	945300000	PIVOT FOOT WELDMENT	1
	945351000	SHAFT WELDT-FOLDING BOOM PIVOT	1
	946750000	TILT CYLINDER 6 DIA	1

Section II - PARTS LIST (cont'd)

PARTS LIST V-70 W/STD STINGER (cont'd)

ITEM	PART NUMBER	DESCRIPTION	QTY
	0911006	SUBFRAME ASSY - V70	
	0300649	UNION, STRAIGHT 12MJ - 12MJ	2
	0300865	FITTING, CONNECTOR 8MJ-8MJ	4
	0301522	FITTING, CONN. 6MJ-6MB	7
	0301577	1/4 OD PLASTIC AIRLINE, BLACK	222
	0301620	FITTING, HYD. 6MJ - 6MB90	1
	0301895	GREASE FITTING,STR 1/8 PTF	6
	0302275	FITTING, CONN 8MJ-6MB W/STEP	5
	0302276	FITTING, ELB 90 DEG	1
	0302726	GREASE FITTING, 1/4-28 X 45DEG	16
	0303193	BLACK SKUFF JACKET SJ16	75
	0303394	HOSE HYD, 46"	4
	0307003	FITT, HYD UNION 10MJ-10MJ	6
	0311189	HITCH PIN 1/4" DIA.	2
	0400066	1/4-20X3/4 HHCS GR5 ZP	6
	0400109	5/16-18X1 HHCS GR5 ZP	4
	0400114	5/16-18X3 HHCS GR5 ZP	2
	0400126	3/8-16X1 HHCS GR5 ZP.	22
	0400128	3/8-16X1.25 FLAT HD SOC	12
	0400149	3/8-16 X 5/8 HHCS GR5 ZP	3
	0400176	1/2-13X1 HHCS GR5 ZP	14
	0400205	1/2-13X3 HHCS GR5 ZP	1
	0400306	7/8-9X3HHCS GR 8 GOLD	18
	0400393	3/8-16 HEX NUT JAM ZP	16
	0400437	7/8-9 NYLOK HEX GR 8 ZP	18
	0400452	1/4" HELICAL LCKWASHR ZP	16
	0400463	5/16" FLATWASHER ZP.	8
	0400482	3/8" HELICAL LCKWSHR - ZP	3
	0400491	1/2" HCL LKWSHR ZP	10
	0400492	1/2" FLATWASHER ZP	6
	0400508	5/8" HELICAL LCKWSHR ZP	2
	0400776	5/16-18 HEX NUT JAM NYLOK ZP	2
	0501420	PLATE - SERIAL/DATA (V-70)	1
	0719585	D-RING, TOWING	4
	0724349	PLATE, JACK LEG COVER	2
	0724499	PIN - UPPER JACK LEG CYL	2
	0724500	PIN - LOWER JACK LEG CYL	2
	0807731	SUBFRAME WELD'T, V-70, V-100	1
	0810005	PIN - FORK RETAINING	2
	0910705	CONTROL STATION ASSY	1
	0910757	HYD. TUBE KIT - VULCAN HD	1
	9012515	1 1/16 -12 37 JIC PLUG	2
	9012525	9/16 -18 37 JIC MALE PLUG	4
	9015738	HOLDING VALVE MHB-015-L	2
	9018241	SINGLE TUBE CLAMP-1	2
	9018254	5/8 TUBE CLAMP SM2160-PP	12
	9018255	1/2 TUBE CLAMP FM2127-PP	12
	9018256	3/4 TUBE CLAMP SM3190-PP	4
	9018271	TRANSITION BLOCK 9E0001	1
	9041011	1/4 NC X 2 1/2 HHCS PL GR8	8

Section II - PARTS LIST (cont'd)

PARTS LIST V-70 W/STD STINGER (cont'd)

ITEM	PART NUMBER	DESCRIPTION	QTY
	0911006	SUBFRAME ASSY - V70 (cont'd)	
	9041402	1/2 NC X 1 1/4 HHCS PLT GR8	5
	9043950	5/8 NC X 1 1/2 HHCS PL GR 8	2
	9053041	BEARING-SPHERICAL TORRIN	2
	9054150	1 1/2 INT. RET. RING (C	8
	915770002	8AT2(8T90S-8T90S) HCL	2
	915770017	16R4(16MJ-16FJ) HCL	2
	915780000	HYD TANK ASSY 3 POINT M	1
	930020001	SPACER PLATE STIFFLEG SU	2
	930202500	PIVOT BLOCK WELD'T	2
	930202504	TIE PLATE - BOOM PIVOT A	2
	930202505	WASHER PLATE - BOOM PIVO	4
	930400009	BOTTOM PLATE - DCV DUAL	1
	9401418	DIPSTICK WELDMENT HYDR TANK	1
	9402970	TOOLBOX MTG. PAD	3
	945000001	LOCK PLATE - SPHERICAL B	2
	945020001	WASHER PLATE-LOWER LIFT	2
	945351500	PIN WELD'T LOWER LIFT CY	2
	945700000	CYL,LIFT - 45/45 RECOVERY BOOM	2
	945720000	STIFF LEG CYLINDER - 45/	2
	945770003	6AT2(6T90L-8MJ) 24 HYD	4
	946402500	COVER ASSEMBLY 1	
	946770001	6AT2(6T90S-6T90S) HCL	2
	DE1381	1/2 WASHER SAE 17/32 ID	4
	GA0215	PIN-"D" RING	4
	0910705	CONTROL STATION ASSY	
	0300052	FITTING, ELB 8MJ-10MB 90	1
	0301376	CONNECTOR 8 MJ - 10 MB	9
	0301619	FITT, 6MJ-6MJ-6MB BRANCH TEE	2
	0302083	16 MJ - 12 MB 90 ELBOW	2
	0302827	FITTING, CONNECTOR 10MJ-10MB	5
	0306984	FITT, HYD ELB 12MB-12MJ90 W/HO	2
	0400382	5/16-18 NYLOK HEX NUT ZP	8
	0400387	3/8-24 HEX JAM NUT ZP(DE1206)	32
	0400392	3/8-16 NYLOK HEX NUT ZINC	40
	0400480	3/8 FLATWASHER ZP	44
	0723377	PLATE, DCV MTG. - VULCAN HD	1
	0907441	CONTROL HANDLE ASSY - SHORT	8
	0907442	CONTROL HANDLE ASSY - LONG	8
	9010030	FITT, BRASS ELB 1/4T-1/8MPX	12
	9016021	VALVE 6 SPOOL 346-9206-018	1
	9016022	VALVE 2 SPOOL 346-9202-018	1
	9041108	5/16 NC X 1 3/4 HHCS PL GR8	4
	9041212	3/8 NC X 2 3/4 HHCS PL GR8	6
	9043371	6 MM LOCKNUT FOR 9043817	8
	9043713	M8 X 20 SOC SHOULDER BOL	8
	9048513	SPERICAL ROD END REBPJH-	16
	930400001	PIN - CONTROL HANDLE PIV	2
	930400012	RH CONTROL ROD (LONG) -	8

Section II - PARTS LIST (cont'd)

PARTS LIST V-70 W/STD STINGER (cont'd)

ITEM	PART NUMBER	DESCRIPTION	QTY
	0910705	CONTROL STATION ASSY (cont'd)	
	930400013	LH CONTROL ROD (SHORT) -	8
	930402600	SHORT LUG WELD'T - DUAL	6
	930402700	LONG LUG WELD'T - DUAL C	2
	946400600	CHANNEL WELD'T	2
	GX263	FITTING, ELB 10MJ-10MB90	1
	0907441	CONTROL HANDLE ASSY - SHORT	
	0806515	CONTROL HANDLE WELD'T	1
	9053524	BEARING BR. FLG.752 X .879X.75	2
	0907442	CONTROL HANDLE ASSY - LONG	
	0806531	CONTROL HANDLE WELD'T	1
	9053524	BEARING BR. FLG.752 X .879X.75	2
	0910757	HYD. TUBE KIT - VULCAN HD	1
	0310837	HYD TUBE ASSY, RETURN - REAR	1
	0310838	HYD TUBE ASSY, RH WINCH - B	1
	0310839	HYD TUBE ASSY, REAR PRESSURE	1
	0310840	HYD TUBE ASSY, BOOM LIFT - A	1
	0310841	HYD TUBE ASSY, BOOM LIFT - B	1
	0310842	HYD TUBE ASSY, RH WINCH - A	1
	930760010	TUBE, HYD 1/2 X 17 15/16 RH ST	1
	930760011	TUBE, HYD 1/2 X 17 13/16 RH ST	1
	946760001	TUBE, HYD 3/4 X 30 3/4 FR.VALV	1
	946760003	TUBE, HYD 5/8 X 32 9/16 MAIN B	2
	946760004	TUBE, HYD 1/2 X 34 7/16 ST.EXT	1
	946760005	TUBE, HYD 1/2 X 34 7/16 ST.EXT	1
	946760006	TUBE, HYD 1/2 X 36 1/16 ST.TIL	1
	946760007	TUBE, HYD 1/2 X 36 1/16 ST.TIL	1
	946760008	TUBE, HYD 1/2 LH STIFFLEG	1
	946760009	TUBE, HYD 1/2 LH STIFFLEG B PO	1
	946760010	TUBE, HYD 5/8 X 40 11/16 FR.WI	1
	946760011	TUBE, HYD 5/8 X 40 11/16 FR.WI	1
	946760012	TUBE, HYD 1" RETURN LINE FR.VA	1
	946760016	TUBE, HYD 3/4X77 1/4 END SECTI	2
	946760017	TUBE, HYD 5/8X80 3/8 END SECTI	6
	946760018	TUBE, HYD 1/2X77 3/8 END SECTI	4
	915780000	HYD TANK ASSY 3 POINT M	
	0301611	PIPE, 1-1/4 SCH40 BLK	2
	0302696	FITTING, CONNECTOR	2
	0302699	PIPE NIPPLE - 1-1/4 X 2	2
	0305006	FILLER CAP (GO205,FB194)	1
	9011014	1/4NPT SOCKET STL PLUG *	1
	9012913	MAGNETIC PIPE PLUG 3/4NP	1
	9015571	BALL VALVE - 1 1/4 CV5	2
	9018139	SUCT.STRAINER LHA SEH-2	2
	9018140	OIL FILTER HEAD-LHA SP50NAHN-	2
	9032122	GASKET, HYD. TANK COVER	1

Section II - PARTS LIST (cont'd)

PARTS LIST V-70 W/STD STINGER (cont'd)

ITEM	PART NUMBER	DESCRIPTION	QTY
	915780000	HYD TANK ASSY 3 POINT M (cont'd)	
	9043477	5/16-18X1 SOC HD CAP SCREW	6
	915780500	HYDRAULIC TANK WELD'T	1
	9401408	INSPECT COVER	1
	946402500	COVER ASSEMBLY	
	0301851	TRIM-LOCK 150B2X1/8	5
	9041202	3/8-16 X 5/8 HHCS PL GR8	6
	9045057	0400482 3/8 BS LOCK WASHER	6
	946402501	TOP PANNEL - COVER	1
	946402600	REAR PANEL WELD'T	1
	946402700	FRONT PANEL WELD'T	1
	0911010	RECOVERY BOOM INSTALL V-70	
	0301577	1/4 OD PLASTIC AIRLINE, BLACK	105
	0310194	HARNESS, WIRING 2-SPEED	1
	0400066	1/4-20X3/4 HHCS GR5 ZP	8
	0400126	3/8-16X1 HHCS GR5 ZP.	4
	0400132	3/8-16X1.5 HHCS GR5 ZP	6
	0400392	3/8-16 NYLOK HEX NUT ZINC	12
	0400424	5/8-18 HEX NUT ZP 2	
	0400426	5/8-11 GR 8 NYLOK NUT YZ PLT	4
	0400452	1/4" HELICAL LCKWASHR ZP	8
	0400482	3/8" HELICAL LCKWSHR - ZP	4
	0400505	5/8" SAE WASHER 2	
	0911033	RECOVERY BOOM ASSY V-70	1
	9018255	1/2 TUBE CLAMP FM2127-PP	12
	9041058	1/4 X 1 3/4 HHCS GR8	2
	9043605	5/8-18 X 2 SOC HD CAP	2
	9043975	H.H.C.SCREW 5/8N.C.X3 1/	2
	9044409	5/8-11 X 2 1/4 HHCS PL GR8	2
	9044434	3/8-16X1 NC FLAT SOCKET HD CAP	2
	9048800	5/8 WELDLESS CHAIN LINK	2
	930290001	STOP BLOCK VERT BOOM WEL	2
	9400004	BRONZE BUSHING 2	
	945020001	WASHER PLATE-LOWER LIFT	2
	945030007	CABLE TIE BACK SPRING-1	2
	945040001	SPACER, MAIN BOOM PIVOT	2
	945291500	LOWER GUIDE PAD WELD'T	2
	945350001	PIVOT PIN, MAIN BOOM	1
	945351500	PIN WELD'T LOWER LIFT CY	2
	945760021	HYD TUBE UNDER BOOM STIN	4
	946770003	HOSE ASSEMBLY - 8MJ-8MJ X 45	4
	946770007	HOSE ASSEMBLY - 79	2
	946770009	HOSE ASSEMBLY - 104	2
	0911033	RECOVERY BOOM ASSY V-70	
	0300041	FITTING, CONNECTOR 8MJ-8MB	4
	0301522	FITTING, CONN. 6MJ-6MB	2
	0301696	FITTING, ELB 90 DEG 6MJ-6FJX90	2

Section II - PARTS LIST (cont'd)

PARTS LIST V-70 W/STD STINGER (cont'd)

ITEM	PART NUMBER	DESCRIPTION	QTY
	0911033	RECOVERY BOOM ASSY V-70 (cont'd)	
	0301895	GREASE FITTING,STR 1/8 PTF	5
	0301895	GREASE FITTING,STR 1/8 PTF	5
	0301949	3/8" OD AIRLINE,SYNFLEX HOSE	14
	0302275	FITTING, CONN 8MJ-6MB W/STEP	2
	0307061	WINCH-35K DP 2-SP N.DRUM W/TEN	2
	0400059	1/4-20X5/8 HHCS GR5 ZP	2
	0400262	5/8-11X2.5" HHCS GR 8 ZP	32
	0400392	3/8-16 NYLOK HEX NUT ZINC	2
	0400426	5/8-11 GR 8 NYLOK NUT YZ PLT	32
	0400491	1/2" HCL LKWSHR ZP	1
	0400492	1/2" FLATWASHER ZP	1
	0400503	5/8" FLATWASHER GR8 YZ PLT	64
	0715517	PIN - "D"-RING OUT BOOM WELD'T	1
	0719585	D-RING, TOWING	1
	0724343	BAR, CABLE SUPPORT	1
	0724344	CHANNEL, ROPE GUIDE	1
	0806861	INNER BOOM WELDMENT V-70	1
	0810007	V-70 OUTER BOOM WELD'T	1
	0810011	WINCH MTG BRKT V-70	8
	0908425	KIT - BOOM SWIVEL	1
	3012-793001	PLATE - LUBE MTG.	1
	9010520	FITT, BRASS ELB 1/4T-1/4MP	2
	9010520	FITT, BRASS ELB 1/4T-1/4MP	2
	9012549	CONNECTOR-MALE 3/8TUBEX1	1
	9012552	BULKHEAD ADAPTER 1/8M-1/8F NPT	1
	9012575	LEGRIS- 3108-56-11 1/8NP	3
	9012584	ELBOW-1/4NPT X 3/8TUBE 9	1
	9041403	1/2 NC X 1 1/2 HHCS PL GR8	1
	9054150	1 1/2 INT. RET. RING (C	2
	9056137	RETAINING RING - 1 3/8	2
	9056150	RETAINING RING - 1 1/2	2
	915040501	CLAMP PLATE	2
	920110015	ROPE CATCHER	1
	920255003	SPACER - LOCK PIN WELD'T	1
	930100002	LOWER WEAR PAD-RECOVERY	1
	930105000	SPIDER CLAMP - TOP WELD'T	1
	930250018	CABLE RETAINER OUTER BOOM	1
	930290002	COVER PLATE VERT BOOM MA	2
	930350002	PIN MAIN BOOM EXT CYL FR	1
	930350003	PIN MAIN BOOM EXT CYL RE	1
	930720000	EXTENSION CYLINDER BOOM	1
	945030001	PAD RETAINING PLATE-UPPE	1
	945030004	UPPER WEAR PAD-RECOVERY	1
	945350500	PIN WELD'T-TILT CYL UPPE	1
	945770002	6AT2(6T90S-8MJ) HCL 48	2
	946770008	HOSE ASSEMBLY - 116	2

Section II - PARTS LIST (cont'd)

PARTS LIST V-70 W/STD STINGER (cont'd)

ITEM	PART NUMBER	DESCRIPTION	QTY
	0908425	KIT - BOOM SWIVEL	1
	0400557	1/2X1-1/4 ROLL PIN ZP	6
	0908424	SWIVEL-BOOM ASSEMBLY	2
	0908424	SWIVEL-BOOM ASSEMBLY	
	0300113	GREASE FITTING, 1/4-28 STRAIGHT	1
	0300311	SHEAVE, 12-10-1BB 10	1
	0400133	3/8-16X3 HHCS GR5 ZP	2
	0400140	3/8-16X4 HHCS GR5 ZP	1
	0400392	3/8-16 NYLOK HEX NUT ZINC	3
	0700511	GUIDE, BOTTOM CABLE	2
	0700563	SHAFT, SHEAVE	1
	0802027	GUIDE-CABLE WELDMENT	1
	0806862	BOOM END SWIVEL WELDMENT V-70	1
	0911029	SHIP KIT, V-70	
	0300341	KNOB, BLACK (BLANK)	12
	0303056	D GASKET- H2 ADHESIVE	8
	0306818	WIRE, ROPE 3/4X6X37 IWRC 200'	2
	0307604	KNOB, RED LONG - SK0700-07	4
	0307626	SAFETY CHAIN ASY, 1/2X14' GR100	2
	0310599	CRC HD CORROSION INHIBIT SPRAY	1
	0400128	3/8-16X1.25 FLAT HD SOC	12
	0501129	V-60/V-70 OWNERS MANUAL	1
	0723437	CHANNEL SUPPORT VULCAN	2
	0724476	PAD - NYLATORN - BBOM GUIDE	4
	0902333	KIT-GLAD HAND	1
	0904183	KIT-AIR TENSIONER	1
	0906068	V-70 SHIP KIT BOX-DUAL CONTR.	1
	0907043	KIT, HOLE PLUG TOOL BOX	1
	0908202	KIT, FORK - VULCAN LWRK	1
	0908203	KIT, HDU CHAIN ADPTR -VUL LWRK	1
	0908204	KIT, HDU RISER BRKT -VUL LWRK	1
	0908205	KIT, SPRG LIFT BRKT -VUL LWRK	1
	0908206	KIT, FORK ADAPTER -VUL LWRK	1
	0908207	KIT, PUMP -VUL LWRK	1
	0908208	KIT, MOUNTING -VUL LWRK	1
	0908209	KIT, MUDFLAP -VUL LWRK	1
	0908550	KIT, SAFETY TREAD DECAL-VULCAN	1
	9401902	TRAILER RECOVERY LOOP (EA)	1
	0902333	KIT-GLAD HAND	
	0301909	RECEPTACLE BOOT	1
	0301946	FITTING, BLKHD CONNECT	2
	0301948	HD 7 WAY TRAILER CONNECT	1
	0304363	QUICK DISCONNECT 1/2 FPT	2
	0400070	1/4-20X1 HHCS GR5 ZP	2
	0400367	1/4-20 NYLOK HEX NUT ZP	2
	0400451	1/4 FLATWASHER ZP	2

Section II - PARTS LIST (cont'd)

PARTS LIST V-70 W/STD STINGER (cont'd)

ITEM	PART NUMBER	DESCRIPTION	QTY
	0904183	KIT-AIR TENSIONER	
	0301577	1/4 OD PLASTIC AIRLINE, BLACK	25
	0302495	CONVOLUTED LOOM 1/4	25
	0311193	6" CABLE TIE	25
	0400062	1/4-20X3/4 THRD CUT HEX	2
	0700188	BRKT,BULKHEAD	2
	0909085	KIT,AIR FLR/REG/LUBE COMBO 1/4	1
	HA0132	GAUGE 0-160 PSI	1
	0909085	KIT,AIR FLR/REG/LUBE COMBO 1/4	
	0302123	HEX NIPPLE 4MP-4MP	1
	0303363	AIR FLTR/REGULATOR COMBO	1
	0306983	FITT, BRASS RUNTEE 1/4T-1/4MPX	1
	9010520	FITT, BRASS ELB 1/4T-1/4MP	1
	0906068	V-70 SHIP KIT BOX-DUAL CONTR.	
	0906006	V-70 DECALS	1
	0906018	H.D. LIGHTING PARTS BAG	1
	0906027	HEAVY DUTY BOLT BAG	1
	0906028	H.D. FITTINGS BAG	1
	0906839	GROUND KIT MTG.HARNES VULCAN	1
	0907304	KIT - QUICK DISCONNECT AIR	1
	124002186	QUICK CONNECT AIR SUPPLY	1
	945990400	DUAL CONTROL COMMON DECA	1
	0906006	V-70 DECALS	
	0501021	DECAL - V70	2
	0501022	DECAL WARNING V-70 BOOM	2
	0501023	DECAL WARNING V-70 UNDERLIFT	2
	0501024	DECAL WARNING V-70 WINCH CABLE	2
	0904217	HARDWARE-BODY MOUNTING	1
	0911148	VULCAN HD ADDTL BOLT KIT	1
	0904217	HARDWARE-BODY MOUNTING	
	0400286	3/4-10X2.75" HHCSGR 8GOLD	44
	0400301	7/8-9X3HHCS GR5 ZP	4
	0400431	3/4-10 NYLOK HEX GR 8 ZP	44
	0400436	7/8-9 NYLOK HEX NUT ZP	4
	0911148	VULCAN HD ADDTL BOLT KIT	
	0400431	3/4-10 NYLOK HEX GR 8 ZP	2
	0400490	3/4 FLATWASHER GR 8	4
	9044454	3/4-10NC X 7 LG HHCS GRD	2
	0906018	H.D. LIGHTING PARTS BAG	
	0303226	80 AMP CIRCUIT BREAKER	2
	9032096	DECORATIVE TRIM 7500036	25

Section II - PARTS LIST (cont'd)

PARTS LIST V-70 W/STD STINGER (cont'd)

ITEM	PART NUMBER	DESCRIPTION	QTY
	0906027	HEAVY DUTY BOLT BAG	
	0400070	1/4-20X1 HHCS GR5 ZP	12
	0400122	3/8-16X1.25 HHCS GR5 ZP	8
	0400367	1/4-20 NYLOK HEX NUT ZP	12
	0400392	3/8-16 NYLOK HEX NUT ZINC	8
	0400421	5/8-11 NYLOK HEX NUT ZP	48
	0400431	3/4-10 NYLOK HEX GR 8 ZP	14
	0400451	1/4 FLATWASHER ZP	12
	0400480	3/8 FLATWASHER ZP	16
	0400490	3/4 FLATWASHER GR 8	12
	0400491	1/2" HCL LKWSHR ZP	4
	0400505	5/8" SAE WASHER 48	
	0400511	3/4" LOCKWASHER ZP	4
	0401021	3/4-10NC X 2HHCS GR8 ZP	12
	0907043	KIT, HOLE PLUG TOOL BOX	1
	9041402	1/2 NC X 1 1/4 HHCS PLT GR8	4
	9043132	3/4NC HEX NUT PLATED	4
	9043842	1/4NC-1 HWH SCREW TYPE D	6
	9043944	3/4NCX2 1/2 H.H.C.SCREW	4
	9043968	HHCS 5/8-11 X 2 1/2 GR 8	48
	9044454	3/4-10NC X 7 LG HHCS GRD	2
	9045359	3/4 TYP SAE WASHER A SER	4
	9046527	POP RIVET 3/16 X7/16 AL	7
	9046572	POP RIVET-1/8 X.500 GRIP	6
	0907043	KIT, HOLE PLUG TOOL BOX	
	0307052	WASHER, RUBBER 7/16X1 1/4X1/4	8
	0400201	1/2-13X1.5 CRGBLT GR5 ZP	4
	0400407	1/2-13 HEX NUT ZP 4	
	0400491	1/2" HCL LKWSHR ZP	4
	0400492	1/2" FLATWASHER ZP	4
	0400506	5/8 FLATWASHER ZP	4
	0906028	H.D. FITTINGS BAG	
	0300364	CLAMP-HOSE,0.875"-2.75" 50"LBS	4
	0300649	UNION, STRAIGHT 12MJ - 12MJ	4
	0302698	FITTING, HOSE BARB,1-1/4	2
	0303290	INSULATED CLAMP 2 1/2	10
	0303948	FTG-90DEG ELL 12MJ-16MB90	2
	0306539	HOSE BARB 20HOSE16MB90	2
	0400122	3/8-16X1.25 HHCS GR5 ZP	5
	0400392	3/8-16 NYLOK HEX NUT ZINC	5
	0400480	3/8 FLATWASHER ZP	5
	0906839	GROUND KIT MTG.HARNESS VULCAN	
	0400126	3/8-16X1 HHCS GR5 ZP.	4
	0400382	5/16-18 NYLOK HEX NUT ZP	4
	0400481	3/8" EXT.TOOTH LOCKWASHER	4
	0400495	5/8" EXT.TOOTH LOCKWASHER	4
	0402122	3/8-16NC HEX NUT 316 SS	4

Section II - PARTS LIST (cont'd)

PARTS LIST V-70 W/STD STINGER (cont'd)

ITEM	PART NUMBER	DESCRIPTION	QTY
	0906839	GROUND KIT MTG.HARNES VUL (cont'd)	
	0716468	LUG - GROUNDING	4
	0907304	KIT - QUICK DISCONNECT AIR	
	0301621	PRESSURE PROTECTION VLV.	1
	0301946	FITTING, BLKHD CONNECT	1
	0302123	HEX NIPPLE 4MP-4MP	1
	0302125	PIPE, BUSHING 1/2MPT X 1/4FPT	1
	0302534	FITTING, 45 DEG ELBOW	2
	0302740	AIR HOSE, 1/2" SYN FLEX DOT	20
	0303538	FITT, ADAPTER -BRASS 8FP-6MP	1
	0303539	QUICK DISCONNECT 3/8 FPT	1
	124002186	QUICK CONNECT AIR SUPPLY	
	0302740	AIR HOSE, 1/2" SYN FLEX DOT	20
	0311037	3/8" RED RUBER HOSE 50' PRECUT	1
	0910488	FITTINGS BOX, QUICK CONN AIR	1
	0910488	FITTINGS BOX, QUICK CONN AIR	
	0301621	PRESSURE PROTECTION VLV.	1
	0301946	FITTING, BLKHD CONNECT	1
	0302123	HEX NIPPLE 4MP-4MP	1
	0302125	PIPE, BUSHING 1/2MPT X 1/4FPT	1
	0302534	FITTING, 45 DEG ELBOW	2
	0303538	FITT, ADAPTER -BRASS 8FP-6MP	1
	0303539	QUICK DISCONNECT 3/8 FPT	1
	0303540	NIPPLE, QUICK DISCONNECT 3/8	1
	0303541	NIPPLE, QUICK DISCONNECT	1
	0303542	QUICK DISCONNECT - BARB	1
	945990400	DUAL CONTROL COMMON DECA	
	0500554	FLAG, AMERICAN LT	2
	0500686	DECAL - RETRACT CAUTION	2
	0500773	DECAL PLATE-THROTTLE	2
	0501101	DECAL-CTRL CABLE SPEED	2
	0501157	TAG-CAUTION WINCH CABLE DAMAGE	2
	9033194	WARNING DECAL MOVING PAR	2
	9033196	WARN.DECAL,DONT WALK UND	2
	9033197	WARNING DECAL-CABLE TENS	2
	9033198	DECAL-SAFETY CHAINS	2
	9033212	NAME PLATE- VULCAN 4 X1	4
	9033575	DECAL - REMOTE	2
	9033576	DECAL - FREE SPOOL LH WINCH	2
	9033577	DECAL - TENSIONER	2
	9033578	DECAL - FREE SPOOL RH WI	2
	9033579	DECAL - DUAL CONTROL UPP	1
	9033580	DECAL - DUAL CONTROL LOW	1
	9033581	DECAL - NEW VULCAN	2
	9033586	DECAL DUAL CONTROL UPPER	1
	9033587	DECAL DUAL CONTROL LOWER	1

Section II - PARTS LIST (cont'd)

PARTS LIST V-70 W/STD STINGER (cont'd)

ITEM	PART NUMBER	DESCRIPTION	QTY
	945990400	DUAL CONTROL COMMON DECA (cont'd)	
	920950009	DECAL - WARNING FOR STIF	2
	0908202	KIT, FORK - VULCAN LWRK	
	0200018	FORK-SHORT, 3IN OPNG	2
	0200019	FORK-SHORT, 4-1/2IN OPNG	2
	0200020	FORK-MED, 3IN OPNG	2
	0200021	FORK-MED, 4-1/2IN OPNG	2
	0200023	FORK-LONG, 4-1/2IN OPNG	2
	945539000	6 3/4 CURVED FORK (EACH)	2
	0908203	KIT, HDU CHAIN ADPTR -VUL LWRK	
	0310230	CLEVIS PIN, 5/8 X 6 ZINC PLT	2
	0400886	HITCH PIN CLIP,1/8 DIA X 2.6 OAL	2
	0801186	ADAPTER-HDU CHAIN (LH OR RH)	1
	0801186	ADAPTER-HDU CHAIN (LH OR RH)	1
	0908204	KIT, HDU RISER BRKT -VUL LWRK	
	0306564	ALUM T HANDLE 5/8" X 1-1/4"	2
	0801459	BRKT-RISER-HDU	2
	0908205	KIT, SPRG LIFT BRKT -VUL LWRK	
	0807023	BRKT-PIVOT SPRING LIFT	2
	0908672	PIN-RET.-SPRING LIFT	2
	0908672	PIN-RET.-SPRING LIFT	
	0302474	PIN, LINCH 3/16	1
	0311167	3/16 SWAGE FOR 1/8 COATED CABL	1
	0311210	CABLE, PIN RETAINER ASSY .125	1
	0400568	3/8X3" ROLL PIN ZP	1
	0400573	3/16X1-1/4ROLL PIN ZP	1
	0402020	1/4-20NC X 3/4 HEX HD SS	1
	0718917	PIN, RETAINER	1
	0908206	KIT, FORK ADAPTER -VUL LWRK	
	0306564	ALUM T HANDLE 5/8" X 1-1/4"	2
	0803591	ADAPTER-LEFT FORK	1
	0803592	ADAPTER-RIGHT FORK	1
	0900900	PIN-ASSY, RETAINER	2
	0900900	PIN-ASSY, RETAINER	
	0302474	PIN, LINCH 3/16	1
	0311167	3/16 SWAGE FOR 1/8 COATED CABL	1
	0311210	CABLE, PIN RETAINER ASSY .125	1
	0400568	3/8X3" ROLL PIN ZP	1
	0400573	3/16X1-1/4ROLL PIN ZP	1
	0402020	1/4-20NC X 3/4 HEX HD SS	1
	0703426	PIN,RETAINER	1

Section II - PARTS LIST (cont'd)

PARTS LIST V-70 W/STD STINGER (cont'd)

ITEM	PART NUMBER	DESCRIPTION	QTY
	0908207	KIT, PUMP -VUL LWRK	
	0302901	HOSE HYD, 120" 12C12	2
	0307995	HOSE, HYD 103" LG	2
	0310010	SUCTION HOSE,1-1/4ID X50 100R4	1
	9016815	MUNCIE PUMP TSPKS17-17-2BSSB	1
	0908208	KIT, MOUNTING -VUL LWRK	
	920000501	REAR MOUNTING PLATE	2
	9401501	FRONT MTG. PLATE	2
	9401530	FRONT MTG. BRKT. LOWER	2
	9401540	FRONT MTG. BRKT. UPPER	2
	0908209	KIT, MUDFLAP -VUL LWRK	
	920400005	MUD FLAP BRACE PLATE	2
	94320052	MUD FLAP 920-940 RUBBER	1
	946570000	5X5 LIFT BAR ASSEMBLY V-60	1
	0301895	GREASE FITTING,STR 1/8 PTF	3
	0400344	1/2-13X3/4 LG FLAT HD SOCKET 8	6
	9044151	3/4-10 X 3/4 SOCKET HEA	4
	915150005	THRUST WASHER - V-40,	1
	920220008	LOCKING TAB	1
	945510006	BEARING - ALUM. BRONZE	2
	945510007	THRUST WASHER - V-60,	1
	946350005	PIVOT PIN - 5 CROSSBAR	1
	946570500	5" CROSSBAR WELD'T	1
	946571000	TOP COVER PLATE WELD'T	1
	946571100	BOTTOM COVER PLATE WELD.	1



Miller Industries Towing Equipment Inc.
8503 Hilltop Drive • Ooltewah, Tennessee 37363 • (423) 238-4171
www.millerind.com