



OWNER'S MANUAL

CAR CARRIER

INSTALLATION, OPERATION, MAINTENANCE & PARTS

**NOTE: MANUAL including SPECIFICATIONS, subject to change without notice
All ratings specified are based on structural factors only,
not vehicle capacities or capabilities.**



Miller Industries Towing Equipment Inc.
8503 Hilltop Drive
Ooltewah, Tennessee 37363
Phone (423) 238-7227 • FAX (423) 238-7237

FORM NO. 9121921
01 / 03
PRICE \$25.00

LIMITED WARRANTY

MILLER INDUSTRIES TOWING EQUIPMENT INC., hereinafter referred to as MILLER, warrants to the original purchaser that each new MILLER wrecker or other MILLER products will be free from defects in material and workmanship for a period of twelve (12) months from date placed in service, but in no event shall such warranty period exceed twenty-four (24) months from date of manufacture by MILLER. The purchaser must promptly notify MILLER in writing of any failure in material or workmanship. In no event shall MILLER accept such notification later than twenty-four (24) months from date of delivery or twelve (12) months from date placed in service, whichever is earlier.

MILLER's obligation under this warranty, statutory or otherwise, is limited to the repair or replacement at the MILLER factory, or at a point designated by MILLER, of such part or parts as shall appear upon inspection by MILLER to be defective in material or workmanship. New or remanufactured parts will be used for any replacement at MILLER's option. This warranty is not transferable. This warranty does not obligate MILLER to bear the cost of labor or transportation charges in connection with the repair or replacement of any parts found to be defective, nor shall it apply to a product upon which repairs or alterations have been made unless authorized by MILLER.

EXCEPT AS EXPRESSLY SET FORTH IN THIS WARRANTY, MILLER MAKES NO OTHER WARRANTY, EXPRESS OR IMPLIED, AND HEREBY DISCLAIMS ALL OTHER WARRANTIES INCLUDING, BUT NOT LIMITED TO, THE IMPLIED WARRANTIES OF MERCHANTABILITY AND FITNESS FOR A PARTICULAR PURPOSE. MILLER shall in no event be liable for claimed downtime, claimed loss of profits or goodwill, or any other special, incidental, indirect, or consequential damages concerning or relating to any product or parts, whether based on negligence, strict liability, breach of contract, breach of warranty, misrepresentation or any other legal theory, regardless of whether the loss resulted from any general or particular requirement which MILLER knew or had reason to know about at the time of sale.

MILLER MAKES NO WARRANTY, EXPRESS OR IMPLIED, AS TO THE FINISHED PRODUCTS MANUFACTURED OR SUPPLIED BY ANOTHER MANUFACTURER AND SUPPLIED BY MILLER TO PURCHASER, including, but not limited to, any vehicle to which a MILLER product may be affixed or any accessories or wire rope, and MILLER EXPRESSLY DISCLAIMS ANY IMPLIED WARRANTIES OF MERCHANTABILITY OR FITNESS FOR A PARTICULAR PURPOSE AS TO SUCH EQUIPMENT OR PRODUCTS. This language shall in no way affect or diminish the rights of the purchaser to rely on such warranties as are extended by such manufacturers or suppliers. MILLER shall, to the extent permitted under applicable law, pass on to the purchaser such manufacturer's or seller's warranty.

MILLER, whose policy is one of continuous improvement, reserves the right to improve its products through changes in design or materials as it may deem desirable without being obligated to incorporate such changes in products previously sold. This warranty is not intended to cover or include the following items, which are set forth by way of example and not limitation:

- A. Normal deterioration of trim, paint, lettering, and appearance items due to wear or exposure to weather, road conditions, road treatments, etc.
- B. Any damage or defect due to accident, misuse, abuse, improper or unauthorized repairs, failure to provide reasonable and necessary maintenance, or uses for which the equipment was not designed or intended.
- C. Alterations or modifications that affect performance, operation or reliability.
- D. Normal maintenance parts including, but not limited to, wear pads, bushings, wire rope, mud flaps, fenderettes, light bulbs, hydraulic oil, filters, and tow sling belts.

IT IS EXPRESSLY UNDERSTOOD THAT MILLER MAKES NO IMPLIED WARRANTY THAT MILLER PRODUCTS SHALL BE FIT FOR THE PURPOSE OF LIFTING OR MOVING PEOPLE OR FOR ANY OTHER IMPROPER USE.



Miller Industries Towing Equipment Inc.
8503 Hilltop Drive
Ooltewah, Tennessee 37363

Telephone (423) 238-4171

SERIAL NUMBER

Section VI - PARTS

This Section is provided by the manufacturer for the purpose of ordering any component part of the **CAR CARRIER** that may be required when part replacement is necessary. Be certain to use only original equipment replacement parts for warranty purposes as well as for keeping your CAR CARRIER in its original state and optimum operating capacities.

When ordering replacement or spare parts be sure to provide the following information to the manufacturer's Parts Department.

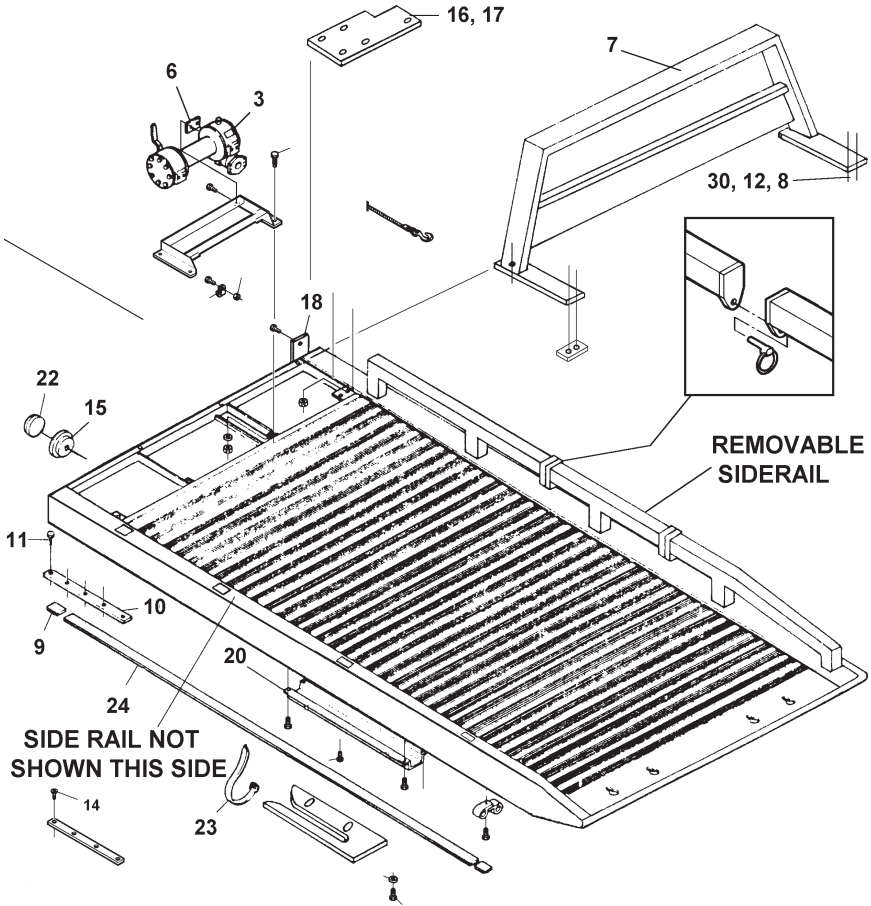
- 1. Manual Number & Date of Publication**
- 2. Manual Page Number**
- 3. Page Title**
- 4. Reference Number of Part Desired**
- 5. Part Number**
- 6. Part Description**
- 7. Quantity of Part Desired**

Providing this information will help ensure that the correct parts will be delivered to you in an expedient manner without delay. Should additional information be required for repair or replacement of certain components, contact your Wrecker Manufacturer Authorized Representative.

The Manufacturer reserves the right, without notice or obligation, to improve or modify their products, which may change the specifications, models and feature availability.

Section VI - PARTS (cont'd)

ALUMINUM BED ASSEMBLY

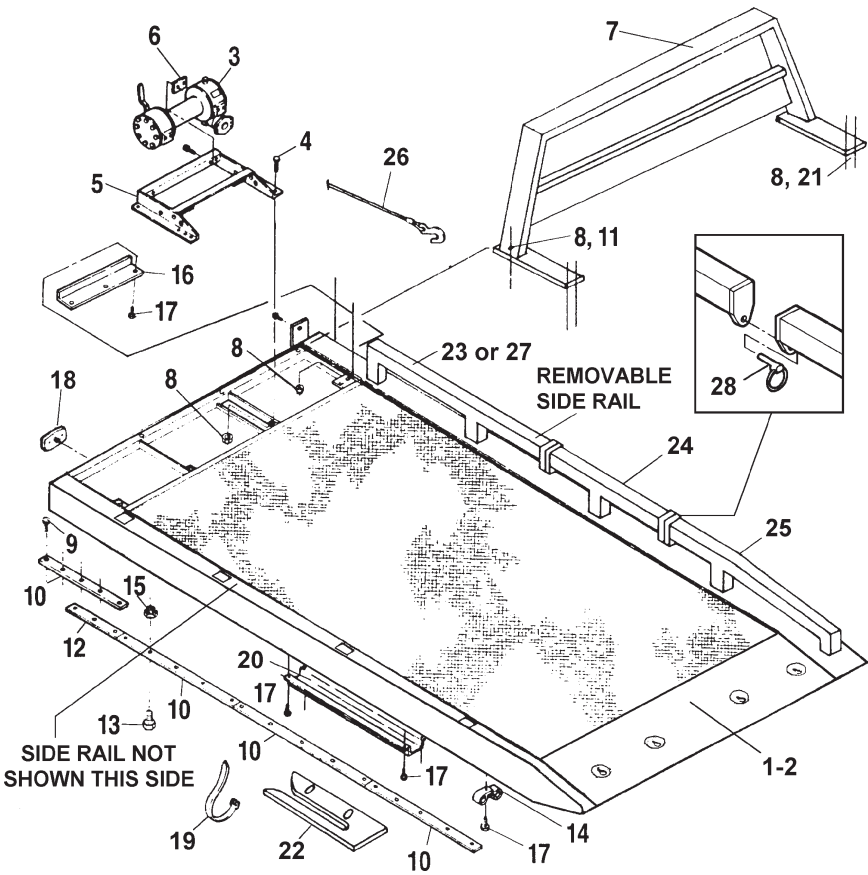


Section VI - PARTS (cont'd)
ALUMINUM BED ASSEMBLY

ID NO	PART NO	DESCRIPTION	QTY
1	0300132	WIRE TIE	8
2	0300134	HOSE CLAMP	2
3	0300250	WINCH ASSEMBLY	1
4	0301669	CABLE ASSEMBLY, WINCH	1
5	0301740	GROMMET, LIGHT ASSEMBLY MOUNTING	2
6	0301861	PIN, LYNCH	4
7	0302027	BEARING PAD	2
8	0302180	BEARING PAD, SPECIFY BODY LENGTH	2
9	0400044	SCREW, 10 X 1/2" RD HD DRIVE	6
10	0400077	SCREW, 1/4" X 1" SELF DRILLING	15
11	0400088	SCREW, 1/4"-20 X 5/8" FL HD PH	8
12	0400181	SCREW, 1/2"-13 X 1-1/2" HEX HD CAP	6
13	0400237	SCREW, 1/2"-13 X 4" HEX HD CAP	4
14	0400408	NUT, 1/2"-13 NYLON HEX	10
15	0400492	WASHER, 1/2" FL	16
16	0701172	SPACER WINCH BRACKET	2
17	0702517	BEARING PAD STOP BAR	4
18	0708913	ANTI TILT PLATE	1
19	0709868	COVER PLATE (BOTTOM)	1
20	0709869	CAP, END	2
21	0709870	CAB PROTECTOR REINFORCEMENT PLATE	2
22	0801482	WINCH MOUNTING BRACKET	1
23	0802660	SIDE RAIL, FRONT REMOVABLE 19'	2
24	0802661	CENTER REMOVABLE SIDE RAIL	2
25	0802662	REAR REMOVABLE SIDE RAIL	2
26	0805033	CAR CARRIER 19' ALUMINUM	1
27	0805096	TRAY, HOSE (SPECIFY BODY LENGTH)	1
28	0805000-32	CAB PROTECTOR - 32"	1
	0805000-34	CAB PROTECTOR - 34"	
	0805000-36	CAB PROTECTOR - 36"	
	0805020-45	CAB PROTECTOR - 45"	
	0805020-48	CAB PROTECTOR - 48"	
	0805020-54	CAB PROTECTOR - 54"	
29	LT0118	LIGHT ASSEMBLY, AMBER	2
30	LT0119	LIGHT ASSEMBLY, RED (NOT SHOWN)	2

Section VI - PARTS (cont'd)

STEEL BED ASSEMBLY

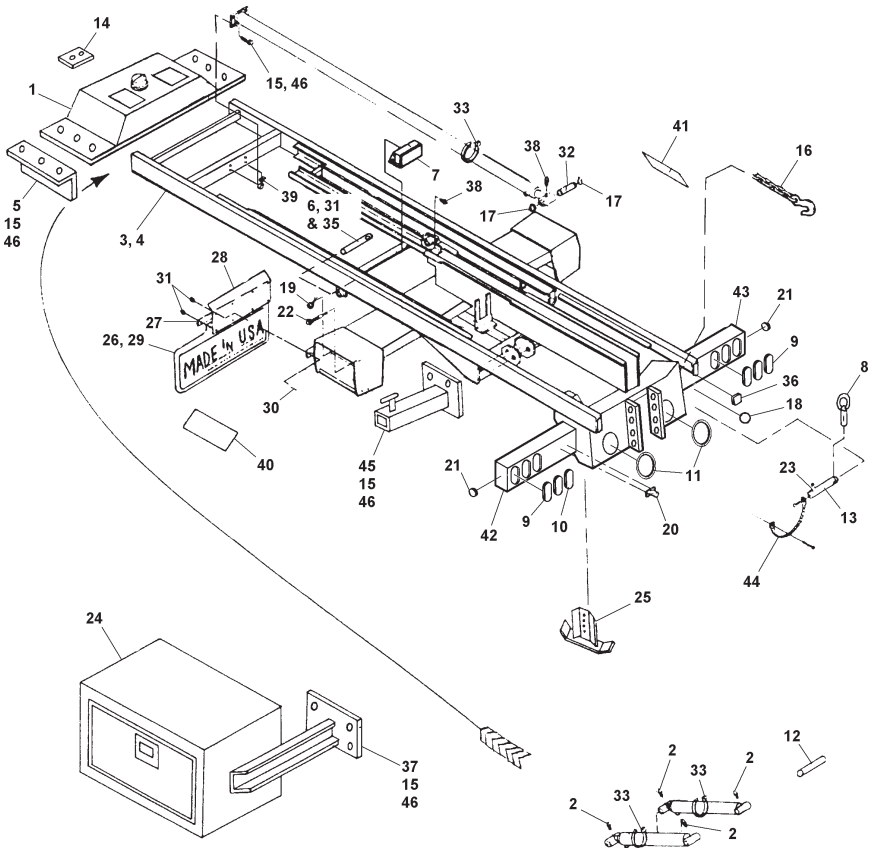


Section VI - PARTS (cont'd)
STEEL BED ASSEMBLY

ID NO	PART NO	DESCRIPTION	QTY
1	0805047	CAR CARRIER 19' STEEL	1
2	0805048	CAR CARRIER 21' STEEL	1
3	0300250	WINCH ASSEMBLY	1
4	0400181	SCREW, 1/2"-13 X 1-1/2" HEX HD CAP	4
5	0801482	WINCH MOUNTING BRACKET	1
6	0701172	SPACER, WINCH BRACKET	2
7	0805000-32	CAB PROTECTOR - 32"	1
	0805000-34	CAB PROTECTOR - 34"	
	0805000-36	CAB PROTECTOR - 36"	
	0805000-45	CAB PROTECTOR - 45"	
	0805000-48	CAB PROTECTOR - 48"	
	0805000-54	CAB PROTECTOR - 54"	
8	0400408	NUT, 1/2"-13 NYLOK	10
9	0400088	SCREW, 1/4"-20 X 5/8" FL HD PH	8
10	0306033	BEARING PAD	8
11	0400177	SCREW, 1/2"-13 X 1-1/4" HEX HD CAP	2
12	0306032	BEARING PAD	2
13	0400089	SCREW, 1/4"-20 X 1" FL HD PH	38
14	0300134	HOSE CLAMP	2
15	0400367	NUT, 1/4"-20 NYLOK HEX HD	38
16	0705332	COVER PLATE, BOTTOM	1
17	0400077	SCREW, 1/4" X 1" SELF-DRILLING	13
18	0301887	LIGHT ASSEMBLY, AMBER	2
19	0300132	WIRE TIE	8
20	0805096	TRAY, HOSE (SPECIFY BODY LENGTH)	1
21	0400211	SCREW, 1/2"-13 X 1-3/4" HEX HD CAP	4
22	0708913	ANTI TILT PLATE	1
23	0802660	FRONT REMOVABLE SIDE RAIL (19' CARRIER)	2
24	0802661	CENTER REMOVABLE SIDE RAIL	2
25	0802662	REAR REMOVABLE SIDE RAIL	2
26	0301669	CABLE ASSEMBLY, WINCH	1
27	0805039	FRONT REMOVABLE SIDE RAIL (21' CARRIER)	2
28	0301861	PIN, LYNCH	4

Section VI - PARTS (cont'd)

TILT FRAME ASSEMBLY

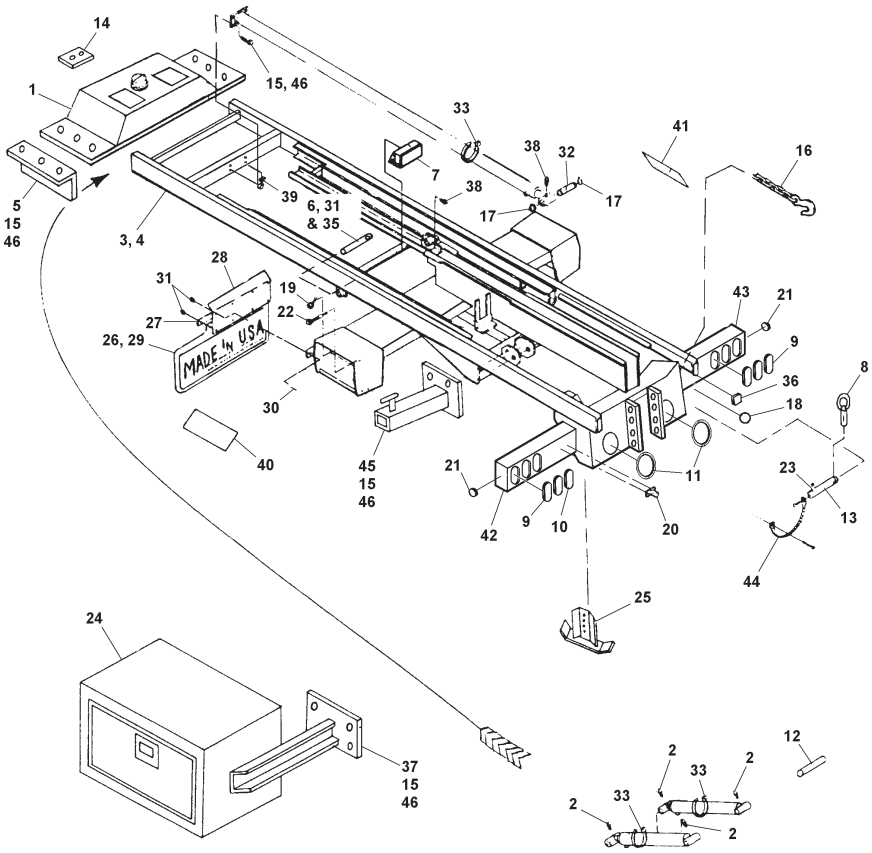


Section VI - PARTS (cont'd)
TILT FRAME ASSEMBLY

ID NO	PART NO	DESCRIPTION	QTY
1	0805093	RESERVOIR ASSEMBLY	1
2	0300113	GREASE FITTING	4
3	0805019	SUB-FRAME, INDEPENDENT WHEEL LIFT	1
4	0805035	SUB-FRAME, INDEPENDENT TOW BAR	1
5	0802668	OIL TANK MTG BRACKET (SPECIFY FRAME WIDTH)	2
6	0704792	PIN, PIVOT	1
7	0301800	JUNCTION BOX	1
8	0302474	PIN, LYNCH	1
9	0303123	LIGHT, STOP & TURN, RED	4
10	0303124	LIGHT, BACKUP, CLEAR	2
11	0304147	WORK LIGHT	2
12	0702434	SHAFT, LIFT CYLINDER	4
13	0709867	PIN, SAFETY	1
14	0709878	WEAR PAD	2
15	0400211	SCREW, 1/2"-13 X 1-3/4" HEX HD CAP	20
16	0301932	SAFETY CHAIN w/HOOKS 12'	2
17	0304642	CHECK VALVE, PIVOT	10
18	0301671	SOCKET, TOW LIGHT	1
19	0300867	ILLUMINATOR, CONTROL PANEL	2
20	0300273	ILLUMINATOR, LICENSE PLATE	1
21	0302987	MARKER LIGHT, SEALED RED	2
22	0300686	THROTTLE ASSEMBLY (25 FT.)	1
23	0400564	PIN, ROLL	1
24	0302988	TOOL BOX	1
25	0802666	EXTENSION STAND (WHEN NEEDED)	2
26	0306001	MUD FLAP	2

Section VI - PARTS (cont'd)

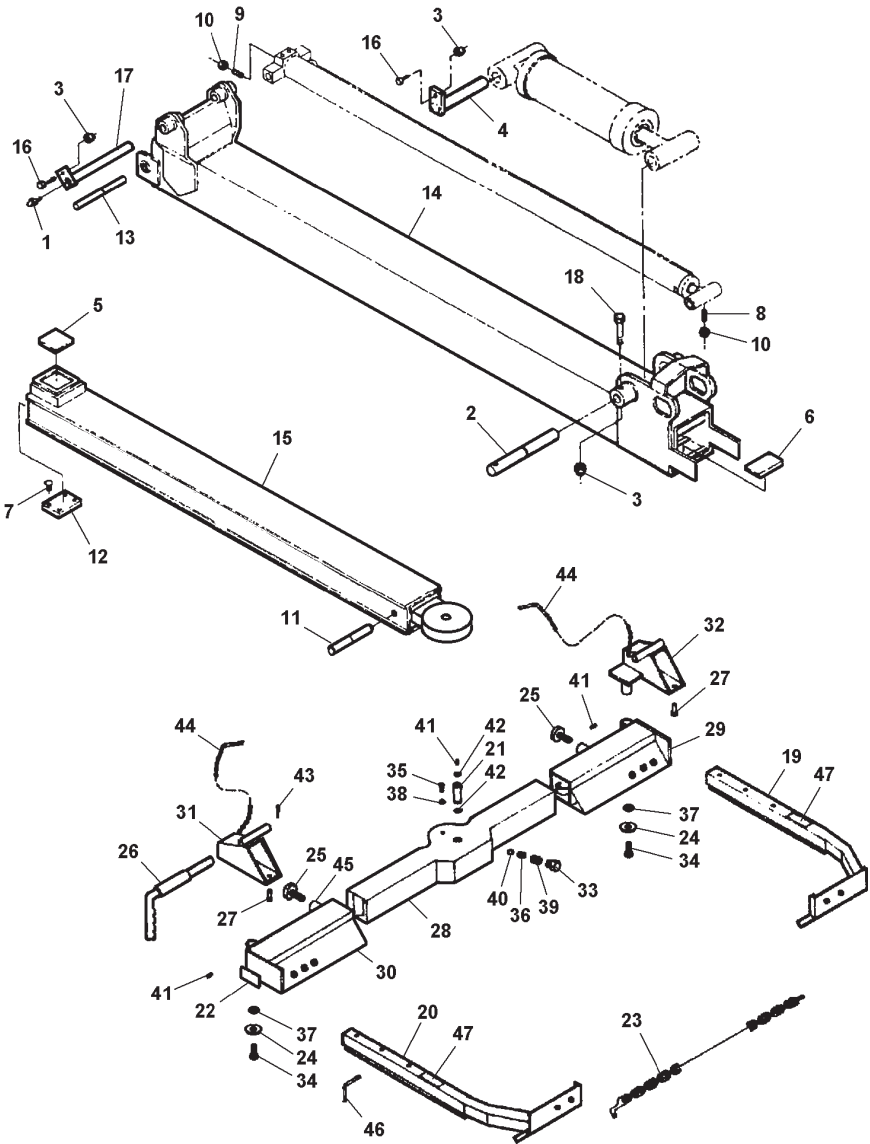
TILT FRAME ASSEMBLY (cont'd)



Section VI - PARTS (cont'd)
TILT FRAME ASSEMBLY (cont'd)

ID NO	PART NO	DESCRIPTION	QTY
27	0705092	BAR, MUD FLAP	2
28	0704793	BRACKET, MUD FLAP MOUNTING	2
29	0400122	SCREW, 3/8"-16 X 1-1/4" HEX HD CAP	9
30	0400121	SCREW, 3/8"-16 X 3/4" HEX HD CAP	8
31	0400392	NUT, 3/8"-16 NYLOK	20
32	0703960	PIN, EXTEND CYLINDER	1
33	0300132	CABLE TIE	18
34	0301601	CLAMP, INSULATED WIRE	8
35	0400150	SCREW, 3/8"-16 X 2-1/2" HEX HD CAP	1
36	0303061	BACK-UP ALARM	1
37	0802667	TOOL BOX MOUNTING BRACKET	2
38	0301397	GREASE FITTING, 90°	3
39	0300134	CLAMP, INSULATED WIRE	4
40	0500805	DECAL, CONTROL STATION (L.H.)	1
41	0500806	DECAL, CONTROL STATION (R.H.)	1
42	0802664	TAIL LAMP HOUSING, LEFT	1
43	0802665	TAIL LAMP HOUSING, RIGHT	1
44	0700584	CHAIN, 12" SASH	1
45	0802663	L-ARM STORAGE TUBE BRACKET	2
46	0400408	NUT, 1/2"-13 NYLOK	20
47	0801558	CONTROL BOX, RIGHT SIDE	1
48	0801557	CONTROL BOX, LEFT SIDE	1
49	0300442	LIGHTS	3
50	0801559	CONTROL CHANNEL ASSEMBLY	?
51	0720030	TAIL LAMP MOUNTING PLATE, LT SIDE	1
52	0710777	HOSE TRAY	1
53	0720031	TAIL LAMP MOUNTING PLATE, RT SIDE	1

Section VI - PARTS (cont'd)
WHEEL LIFT & CROSSBEAM ASSEMBLY
WITH WHEEL RETAINERS

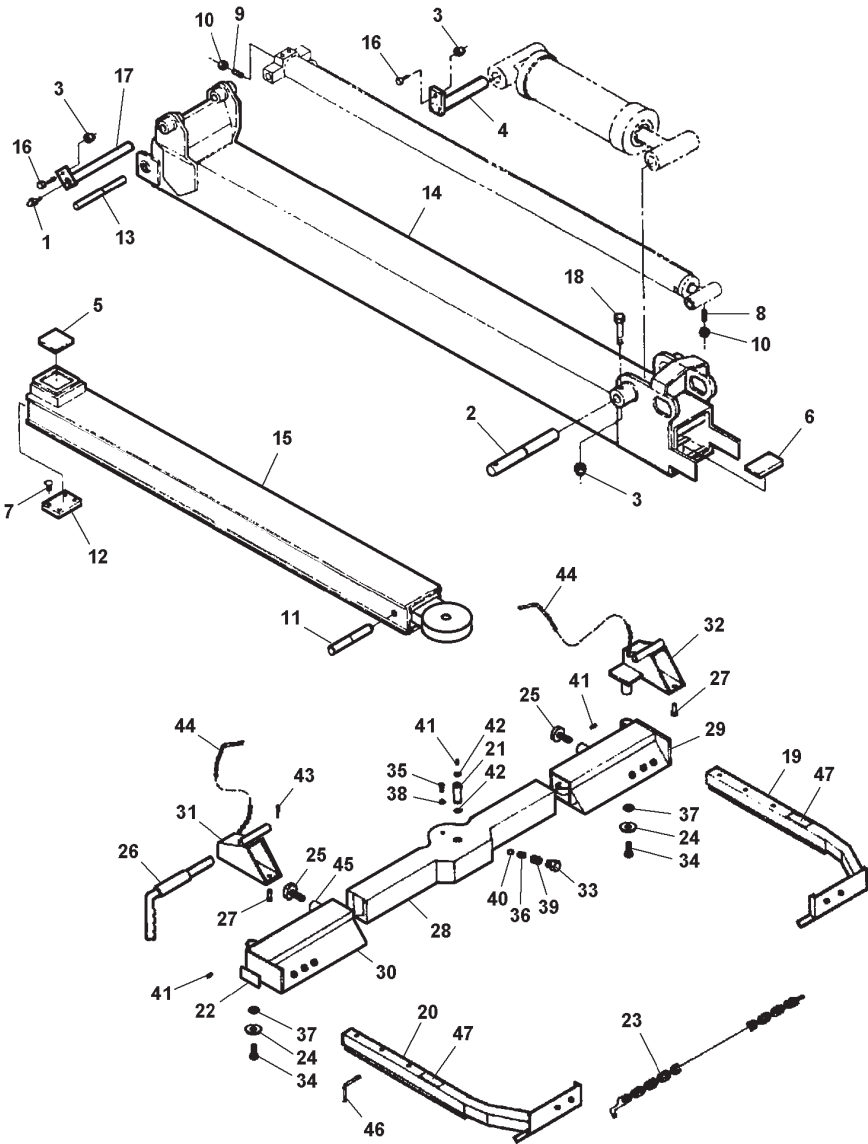


Section VI - PARTS (cont'd)

WHEEL LIFT & CROSSBEAM ASSEMBLY WITH WHEEL RETAINERS

ID NO	PART NO	DESCRIPTION	QTY
1	0300113	GREASE FITTING	2
2	0705238	PIN, PIVOT	1
3	0400392	NUT, 3/8"-16 NYLOK HEX	3
4	0801012	SHAFT, LIFT CYLINDER	1
5	0301850	BEARING PAD, NYLATRON	1
6	0302183	BEARING PAD, 3/8"	1
7	0400044	SCREW, #10 X 1/2" DRIVE	4
8	0400129	SCREW, 3/8"-16 X 3/4" CUP PT ALN HD	1
9	0400139	SCREW, 3/8"-16 X 1-1/2" HEX HD SKT	1
10	0400392	NUT, 3/8"-16 NYLOK	2
11	0702131	SHAFT, INNER TUBE CYLINDER	1
12	0703277	SLIDER, PAD	1
13	0703345	SHAFT, EXTEND CYLINDER	1
14	0801556	OUTER BOOM	1
15	0801568	INNER BOOM	1
16	0400141	SCREW, 3/8"-16 X 7/8" HEX HD CAP	1
17	0801009	SHAFT, PIN ASSEMBLY, UPPER BOOM	1
18	0400150	SCREW, 3/8"-16 X 2-1/2" HEX HD CAP	1
19	8700180	WHEEL RETAINER, RIGHT	1
20	8700190	WHEEL RETAINER, LEFT	1
21	8609001	CROSSBEAM PIVOT PIN	1
22	9025068	REFLECTOR	2
23	0301932	SAFETY CHAIN, 10'	2
24	8600404	WASHER, 11/16" ID X 2" OD	2
25	8601900	SLIDE LOCK HANDLE KNOB ASSEMBLY	2

Section VI - PARTS (cont'd)
WHEEL LIFT & CROSSBEAM ASSEMBLY
WITH WHEEL RETAINERS (cont'd)



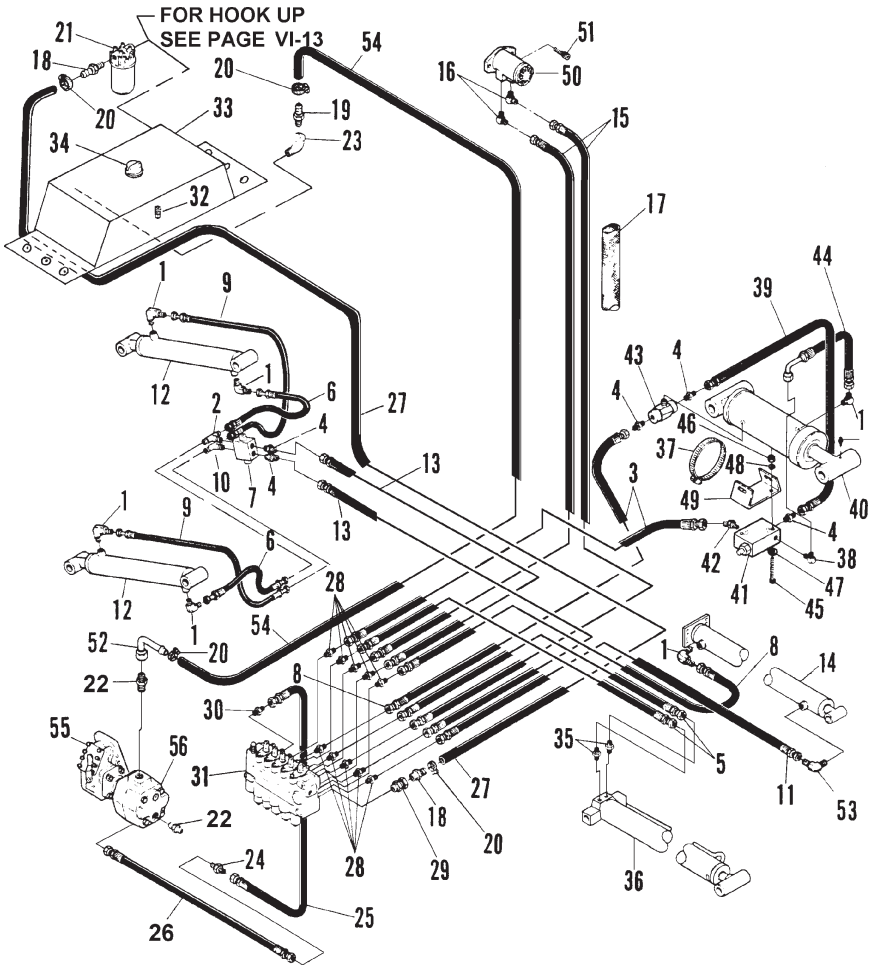
Section VI - PARTS (cont'd)

WHEEL LIFT & CROSSBEAM ASSEMBLY WITH WHEEL RETAINERS (cont'd)

ID NO	PART NO	DESCRIPTION	QTY
26	880411500	STOP PIN ASSEMBLY	2
27	8700109	LOCK PIN, SCOOP	2
28	880360500	STINGER, CROSSBEAM	1
29	880417000	WHEEL GRID, RIGHT	1
30	880410000	WHEEL GRID, LEFT	1
31	8701600	SCOOP BRACKET, LEFT	1
32	8701500	SCOOP BRACKET, RIGHT	1
33	9012944	PIPE PLUG	1
34	9043950	SCREW, 5/8" NC X 1-1/2" HEX HD CAP	2
35	9043956	SCREW, 3/8" NC X 3/4" BTN HD ALN	1
36	9045255	WASHER, 3/8" FL	1
37	9045259	WASHER, 5/8" FL	2
38	8600406	WASHER, 1" X 3/8" FL	1
39	9047057	DIE SPRING	1
40	9052013	BALL BEARING, 1"	1
41	9012501	GREASE NIPPLE	3
42	9030214	"O" RING	2
43	9046310	ROLL PIN, 3/16" X 1-1/8"	2
44	8602001	LOCK PIN WITH CHAIN	4
45	8601608	SLIDE LOCK SOCKET	2
46	890440003	LOCKING PIN	2
47	9033198	SAFETY CHAIN DECAL	2
48	0400139	SET SCREW, 3/8"-16 X 1-1/2" HEX SKT	?
49	0400392	LOCKNUT, 3/8"-16 NYLOK HEX	?
50	07120060	PAD HOLDER	?

Section VI - PARTS (cont'd)

HYDRAULICS



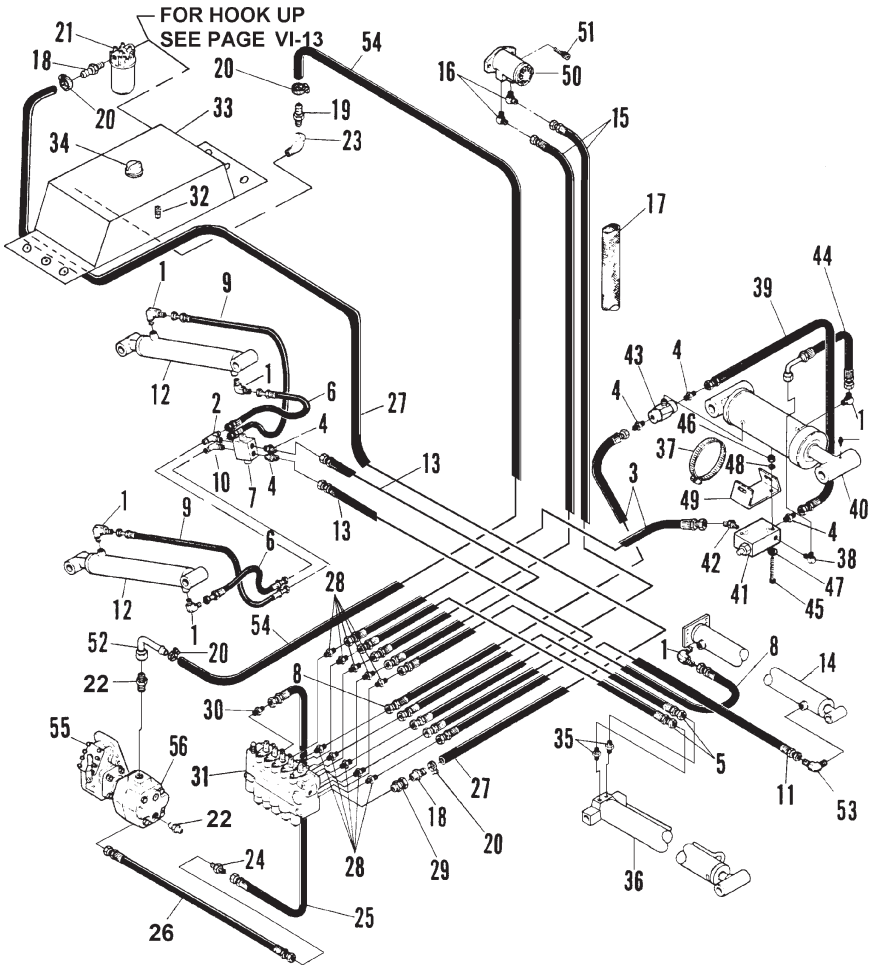
Section VI - PARTS (cont'd)

HYDRAULICS

ID NO	PART NO	DESCRIPTION	QTY
1	0300142	ELBOW, 6MJ-4MP90	6
2	0300208	TEE, 6MJ-6MP90	2
3	0301403	HOSE ASSEMBLY, 80-1/2"	2
4	0301424	CONNECTOR, 6MJ-4MP	5
5	0301478	HOSE ASSEMBLY, 54"	2
6	0301524	HOSE ASSEMBLY, 14"	2
7	0301640	VALVE, BED TILT CYLINDER LOCK	1
8	0301658	HOSE ASSEMBLY, 128"	1
9	0301660	HOSE ASSEMBLY, 21"	2
10	0301694	TEE, 6MJ-6MJ-4MP	1
11	0301769	HOSE ASSEMBLY, 52"	1
12	0302867	CYLINDER, BED LIFT	2
13	0301878	HOSE ASSEMBLY, 137"	2
14	0301970	CYLINDER, BED EXTEND	1
15	0301663	HOSE ASSEMBLY, 204" (WINCH MOTOR)	2
16	0301665	ELBOW, 6MJ-8MP90	2
17	0705296	SKUFF JACKET	1
18	0300055	HOSE BARB, 3/4" HOSE X 3/4" MP	3
19	0300056	HOSE BARB, 1" HOSE X 1" MP	1
20	0300071	CLAMP, 1" HOSE	4
21	0300136	FILTER ASSEMBLY	1
22	REF.	PTO CONNECTOR	1
23	0300692	ELBOW, 1" X 90° STREET	1
24	0300865	CONNECTOR, 8MJ-8MJ	1
25	0301659	HOSE ASSEMBLY, 150" (VALVE TO PUMP)	1
26	0300165	HOSE ASSEMBLY, 91" HI-PRESSURE	1
27	0704802	HOSE, 192" RETURN	1
28	0300044	CONNECTOR, 6MJ-8MB	10

Section VI - PARTS (cont'd)

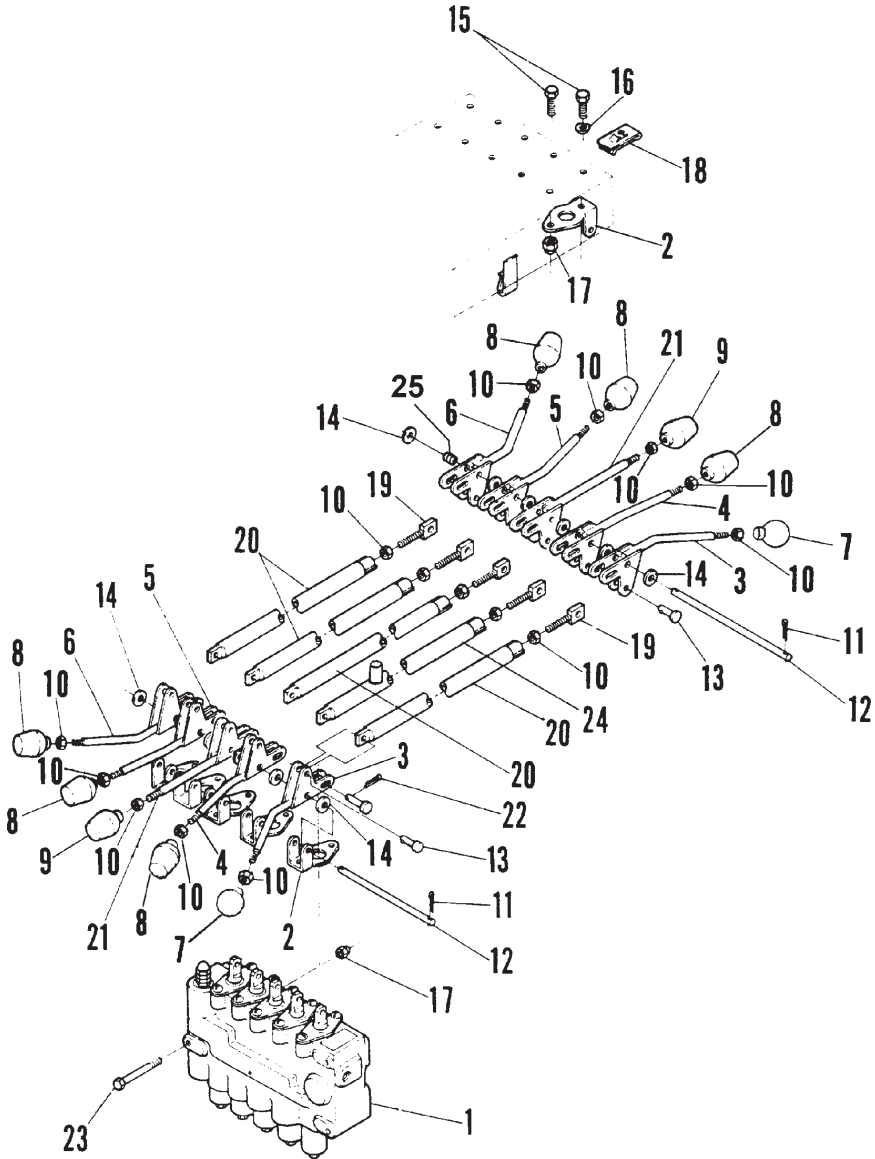
HYDRAULICS (cont'd)



Section VI - PARTS (cont'd)
HYDRAULICS (cont'd)

ID NO	PART NO	DESCRIPTION	QTY
29	0300065	SWIVEL, 12MB-12FPX	1
30	0300789	CONNECTOR, 5/8" X 1/2" JIC STR	1
31	0302179	VALVE, 5 SPOOL	1
32	0300347	PLUG, 1/2" SQ HD BLK	1
33	0805093	RESERVOIR ASSEMBLY	1
34	0709871	FILLER CAP	1
35	0301522	CONNECTOR, 6MJ-6MB	2
36	0302178	CYLINDER, WHEEL LIFT EXTEND	1
37	0300133	CLAMP, CHECK VALVE	1
38	0300209	ELBOW, 6MJ-6MP90	1
39	0301473	HOSE ASSEMBLY, 18"	1
40	0301484	CYLINDER	1
41	0301731	VALVE, WHEEL LIFT HOLDING	1
42	0301848	ELBOW, 6MJ-6MP4S	1
43	0301868	TEE, 4FP-4MP	1
44	0301900	HOSE ASSEMBLY, 18"	1
45	0400064	SCREW, 1/4"-20 X 2-1/4" SL RD HD	2
46	0400366	NUT, 1/4"-20 HEX	2
47	0400451	WASHER, 1/4" FL	2
48	0400452	LOCKWASHER, 1/4" HELICAL	2
49	0703001	BRACKET, VALVE MNTG	1
50	0300090	MOTOR, WINCH	1
51	0400196	SCREW, 1/2"-13 X 1-1/4" SKT HD CAP	2
52	0302170	SWIVEL, 16C2-16FJX90	1
53	0302160	ELBOW, 6MJ-4MP90L	1
54		HOSE, 1" DIA. SUCTION	1
55	0302037	PTO	1
56	0303485	PUMP, HIGH PRESSURE HYDRAULIC	1

Section VI - PARTS (cont'd)
CONTROL & CROSSROD ASSEMBLY

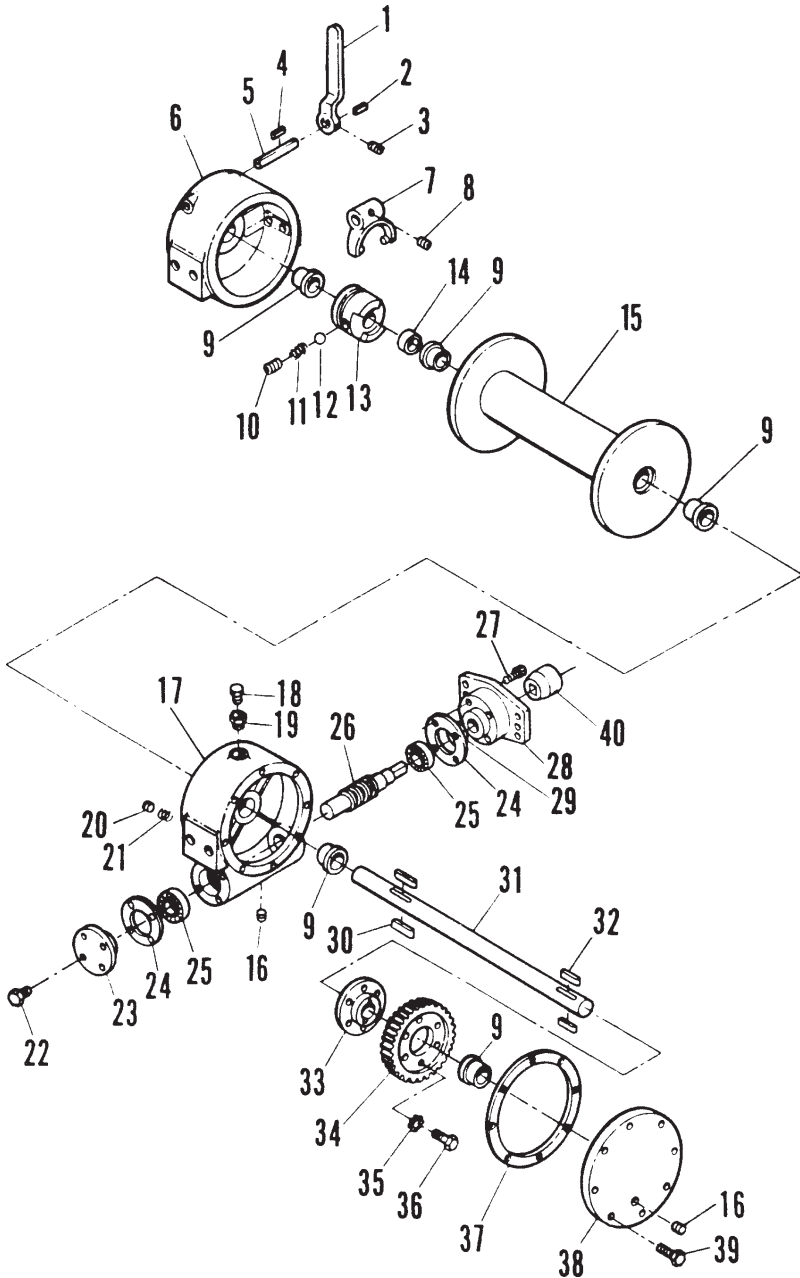


Section VI - PARTS (cont'd)
CONTROL & CROSSROD ASSEMBLY

ID NO	PART NO	DESCRIPTION	QTY
1	0302179	CONTROL VALVE, 5-SPOOL	1
2	0301638	BRACKET, CONTROL HANDLE	10
3	0800798	CONTROL HANDLE, OUTER REAR	2
4	0800797	CONTROL HANDLE, INNER REAR	2
5	0800795	CONTROL HANDLE, OUTER FWD	2
6	0800796	CONTROL HANDLE, INNER FWD	2
7	0301720	KNOB, BALL	2
8	0300341	KNOB	6
9	0300834	KNOB, "IN-OUT" CABLE	2
10	0400393	NUT, 3/8"-16 JAM	15
11	0400541	COTTER PIN, 1/16" X 3/4"	4
12	0705242	PIN, CONTROL HANDLE PIVOT	2
13	0400532	CLEVIS PIN, 5/16" X 1"	10
14	0400465	WASHER, 5/16"	10
15	0400121	SCREW, 3/8"-16 X 3/4" HEX HD CAP	10
16	0400482	LOCKWASHER, 3/8" HELICAL	5
17	0400392	NUT, 3/8"-16 NYLOK	8
18	0400243	NUT, 3/8"-16 TINNERMAN "J"	5
19	0800800	CONTROL ROD LINK	5
20	0800799	VALVE SHIFTER	4
21	0801566	CONTROL HANDLE, CENTER	2
22	0400543	COTTER PIN, 1/8" X 3/4"	10
23	0400140	SCREW, 3/8"-16 X 4" HEX HD CAP	3
24	0801274	CONTROL ROD LINK, ANTI TILT	1
25	0306006	SPRING, ANTI-RATTLE	10

Section VI - PARTS (cont'd)

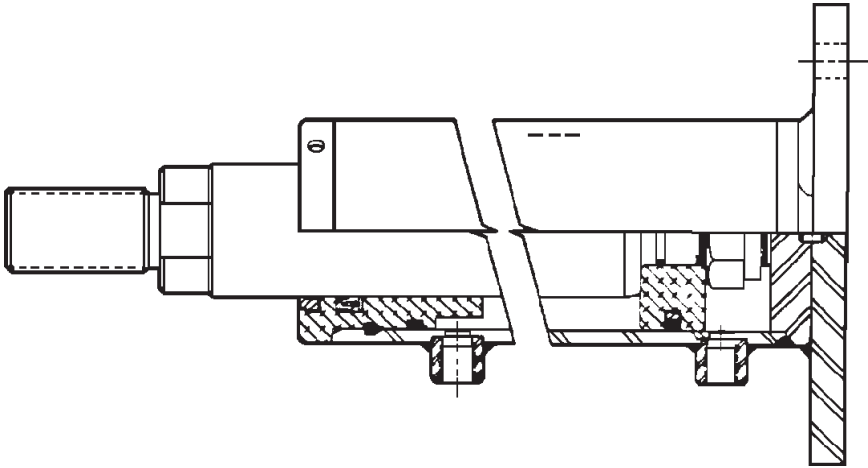
HYDRAULIC WINCH



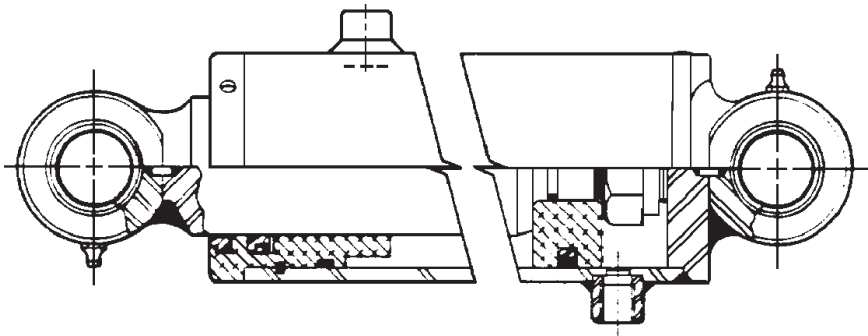
Section VI - PARTS (cont'd)
HYDRAULIC WINCH

ID NO	PART NO	DESCRIPTION	QTY
1	0300261	LEVER	1
2	0300448	KEY	1
3	0300449	SCREW	1
4	0300450	KEY	1
5	0300451	SHAFT	1
6	0300452	CLUTCH HOUSING	1
7	0300398	YOKE	1
8	0300399	SCREW	1
9	0300453	BUSHING	5
10	0300454	SCREW	1
11	0300455	SPRING	1
12	0300456	BALL	1
13	0300457	CLUTCH	1
14	0300458	SPACER	1
15	0300381	DRUM	1
16	0300459	PLUG	2
17	0300460	HOUSING	1
18	0300461	PLUG	1
19	0300462	REDUCER	1
20	0300463	DRAG BRAKE	1
21	0300464	SPRING	1
22	0300465	SCREW	16
23	0300466	CAP	1
24	0300447	GASKET	2
25	0300467	BEARING	2
26	0300468	WORM	1
27	0300695	SCREW	1
28	0300694	CAP ADAPTER	1
29	0300471	SEAL	1
30	--	KEY	2
31	--	SHAFT	1
32	--	KEY	2
33	0300472	HUB	1
34	0300473	GEAR	1
35	0300474	WASHER	6
36	0300475	SCREW	6
37	0300476	GASKET	1
38	0300477	COVER	1
39	0300569	SCREW	4
40	0300290	COUPLING	1

Section VI - PARTS (cont'd)
CYLINDERS



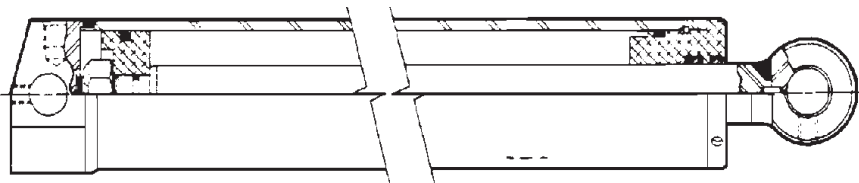
ID NO	PART NO	DESCRIPTION	QTY
1	0301970	BED EXTEND CYLINDER (COMPLETE)	1
2	0304219	SEAL KIT	--



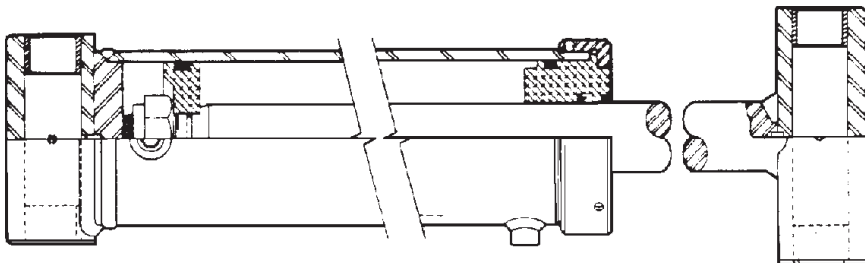
ID NO	PART NO	DESCRIPTION	QTY
1	0302867	BED TILT CYLINDER (COMPLETE)	2
2	0304219	SEAL KIT	--

Section VI - PARTS (cont'd)

CYLINDERS

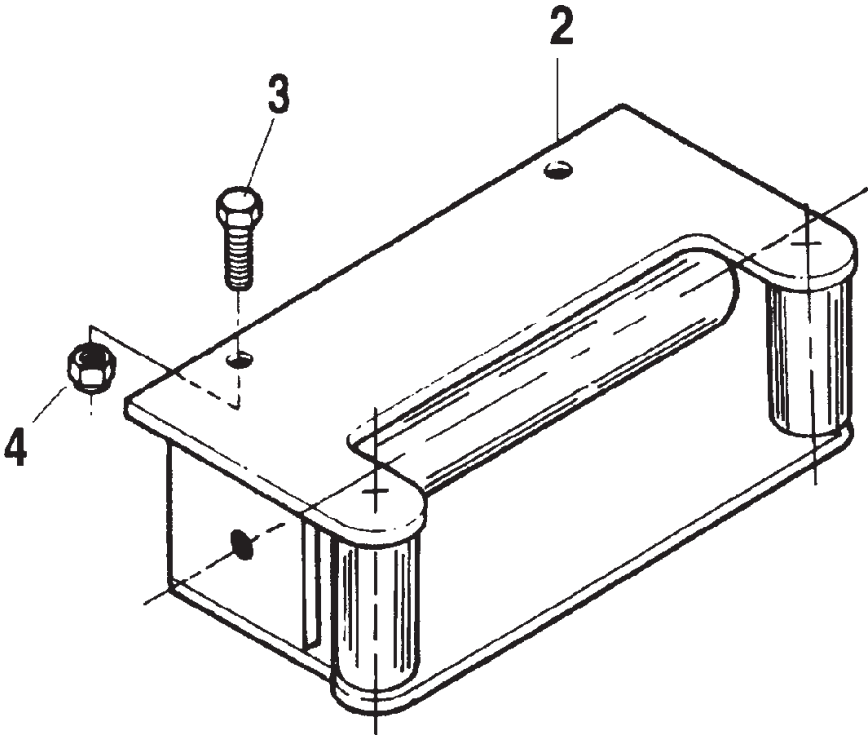


ID NO	PART NO	DESCRIPTION	QTY
1	0302178	WHEEL LIFT EXTEND CYLINDER, COMPLETE	1
2	0304086	SEAL KIT, EXTEND CYLINDER	1



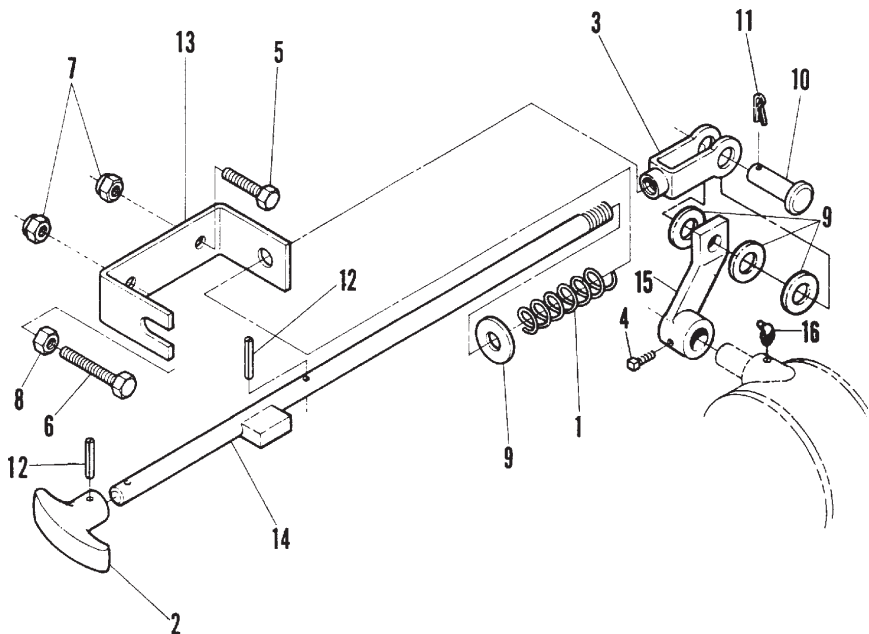
ID NO	PART NO	DESCRIPTION	QTY
1	0301484	WHEEL LIFT LIFT CYLINDER, COMPLETE	1
2	0304181	SEAL KIT, LIFT CYLINDER	1

Section VI - PARTS (cont'd)
 OPTIONAL EQUIPMENT
 CABLE ROLLER ASSEMBLY



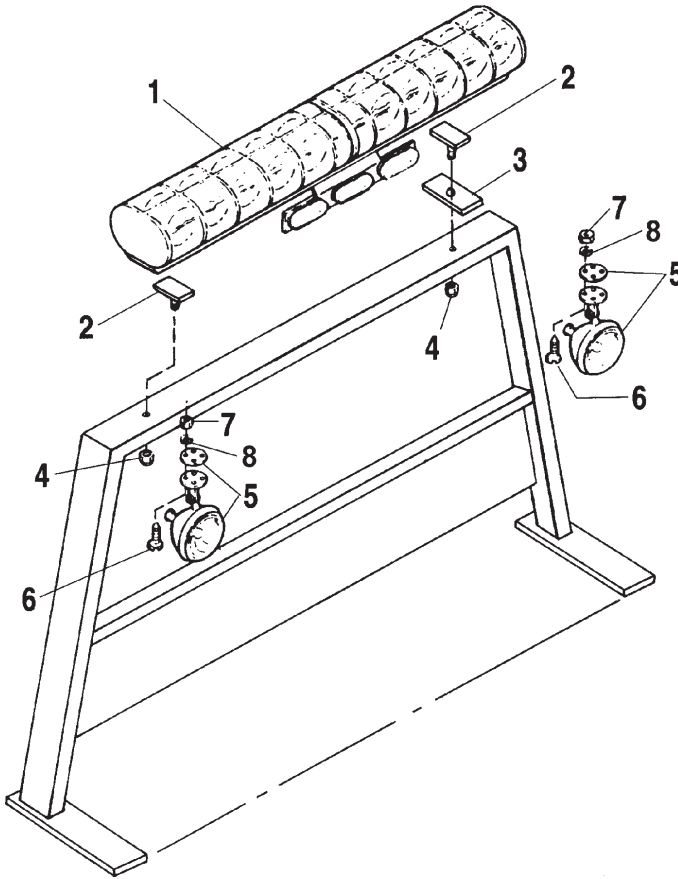
ID NO	PART NO	DESCRIPTION	QTY
1	0900892	CABLE ROLLER ASSEMBLY	--
2	0805037	CABLE ROLLER GUIDE WELDMENT	1
3	0400177	SCREW, 1/2"-13 X 1-1/4" HEX HD CAP	2
4	0400408	NUT, 1/2"-13 NYLOK HEX	2

Section VI - PARTS (cont'd)
OPTIONAL EQUIPMENT
WINCH CLUTCH CONTROL



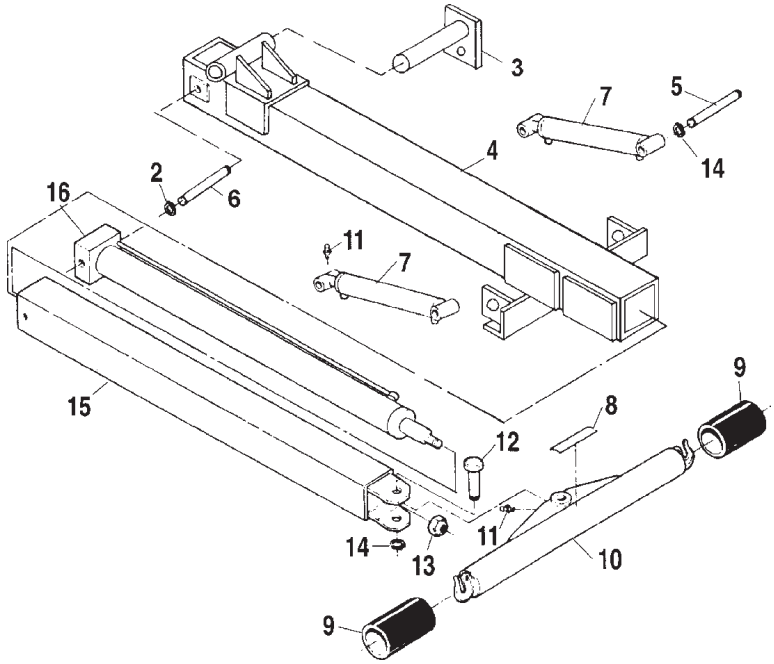
ID NO	PART NO	DESCRIPTION	QTY
1	0300845	SPRING, COMPRESSION	1
2	0301532	"T" HANDLE	1
3	0301588	ADJUSTABLE YOKE	1
4	0400116	SCREW, 5/16"-18 X 1/2" SQ HD SET	1
5	0400126	SCREW, 3/8"-16 X 1" HEX HD CAP	1
6	0400150	SCREW, 3/8"-16 X 2-1/2" HEX HD CAP	1
7	0400392	NUT, 3/8"-16 NYLOK HEX	2
8	0400393	NUT, 3/8"-16 JAM HEX	1
9	0400492	WASHER, 1/2" FL	4
10	0400537	CLEVIS PIN, 1/2" X 1-1/2"	1
11	0400546	COTTER PIN, 1/8" X 1-1/4"	1
12	0400560	ROLL PIN, 5/32" X 1"	2
13	0702408	MOUNTING CHANNEL	1
14	0800780	CONTROL ROD, SINGLE WINCH	1
15	0805060	WELDMENT, BELL CRANK	1
16	0301397	GREASE FITTING 90°	1

Section VI - PARTS (cont'd)
OPTIONAL EQUIPMENT
LIGHTING ACCESSORIES



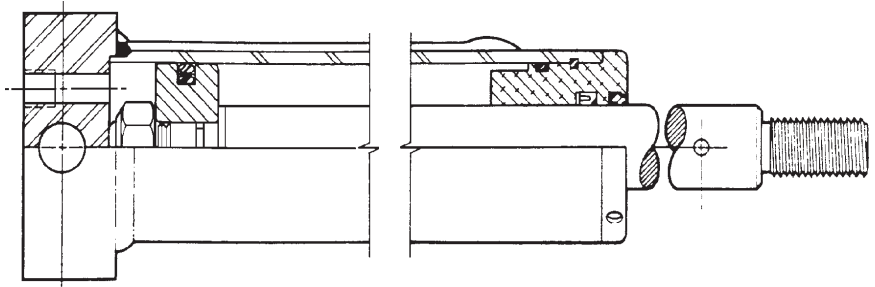
ID NO	PART NO	DESCRIPTION	QTY
1	0301359	WRECKER SPECIAL LIGHT	1
2	0800539	"T" BOLT ADAPTER	2
3	0709872	RUBBER CUSHION	2
4	0400392	NUT, 3/8"-16 NYLOK HEX	2
5	0300095	SPOTLIGHT	2
6	0400043	SCREW, #10-24 X 1" PH HD MCHN	8
7	0400356	NUT, #10-24 NYLOK	8
8	0400520	LOCKWASHER, #10	8

Section VI - PARTS (cont'd)
OPTIONAL EQUIPMENT
INDEPENDENT TOW BAR ASSEMBLY



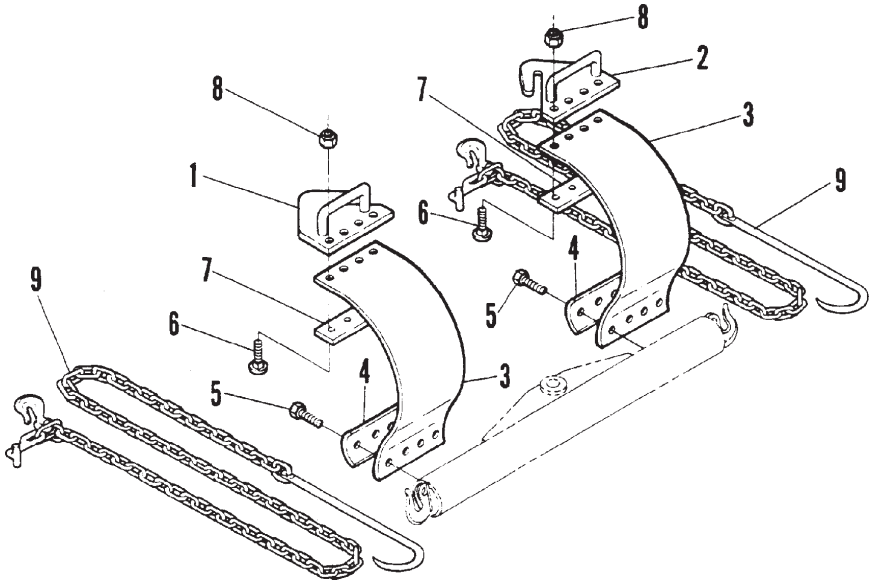
ID NO	PART NO	DESCRIPTION	QTY
1	--	TOW BAR ASSEMBLY (COMPLETE)	--
2	0301381	SNAP RING, 3/4"	2
3	0805030	SHAFT, TOW BAR PIVOT, PIN w/KEEPER	1
4	0805150	TUBE, TOW BAR OUTER	1
5	0702434	PIN, LIFT CYLINDER	2
6	0702418	SHAFT, EXTEND CYLINDER	1
7	0302368	CYLINDER, WHEEL LIFT TILT	2
8	0500241	DECAL, SAFETY CHAIN WARNING	1
9	0301723	GUARD, TOW BAR BUMPER	2
10	0800898	CROSSTUBE, TOW BAR	1
11	0300113	GREASE FITTING	3
12	0800784	PIN, TOW BAR PIVOT	1
13	0400436	NUT, 7/8"-9 NYLOK HEX	1
14	0301642	SNAP RING, 1-1/4"	5
15	0800777	TUBE, TOW BAR INNER	1
16	0301798	CYLINDER, TOW BAR EXTEND	1

Section VI - PARTS (cont'd)
OPTIONAL EQUIPMENT
TOW BAR ASSEMBLY



ID NO	PART NO	DESCRIPTION	QTY
1	0301798	TOW BAR CYLINDER (COMPLETE)	1
2	0304220	SEAL KIT	--

Section VI - PARTS (cont'd)
OPTIONAL EQUIPMENT
TOWING SLING



ID NO	PART NO	DESCRIPTION	QTY
1	0800608	CHAIN KEEPER, LEFT	1
2	0800609	CHAIN KEEPER, RIGHT	1
3	0701919	TOW SLING BELT	2
4	0800873	BELT RETAINER	2
5	0400105	SCREW, 5/16"-18 X 1-1/4" SELF	8
6	0400156	CARRIAGE BOLT, 3/8"-16 X 1-1/4"	8
7	0701920	GRIP PLATE	2
8	0400392	NUT, 3/8"-16 NYLOK HEX	8
9	0300176	"J" HOOK ASSEMBLY	2



Miller Industries Towing Equipment Inc.
8503 Hilltop Drive • Ooltewah, Tennessee 37363 • (423) 238-7227
www.millerind.com